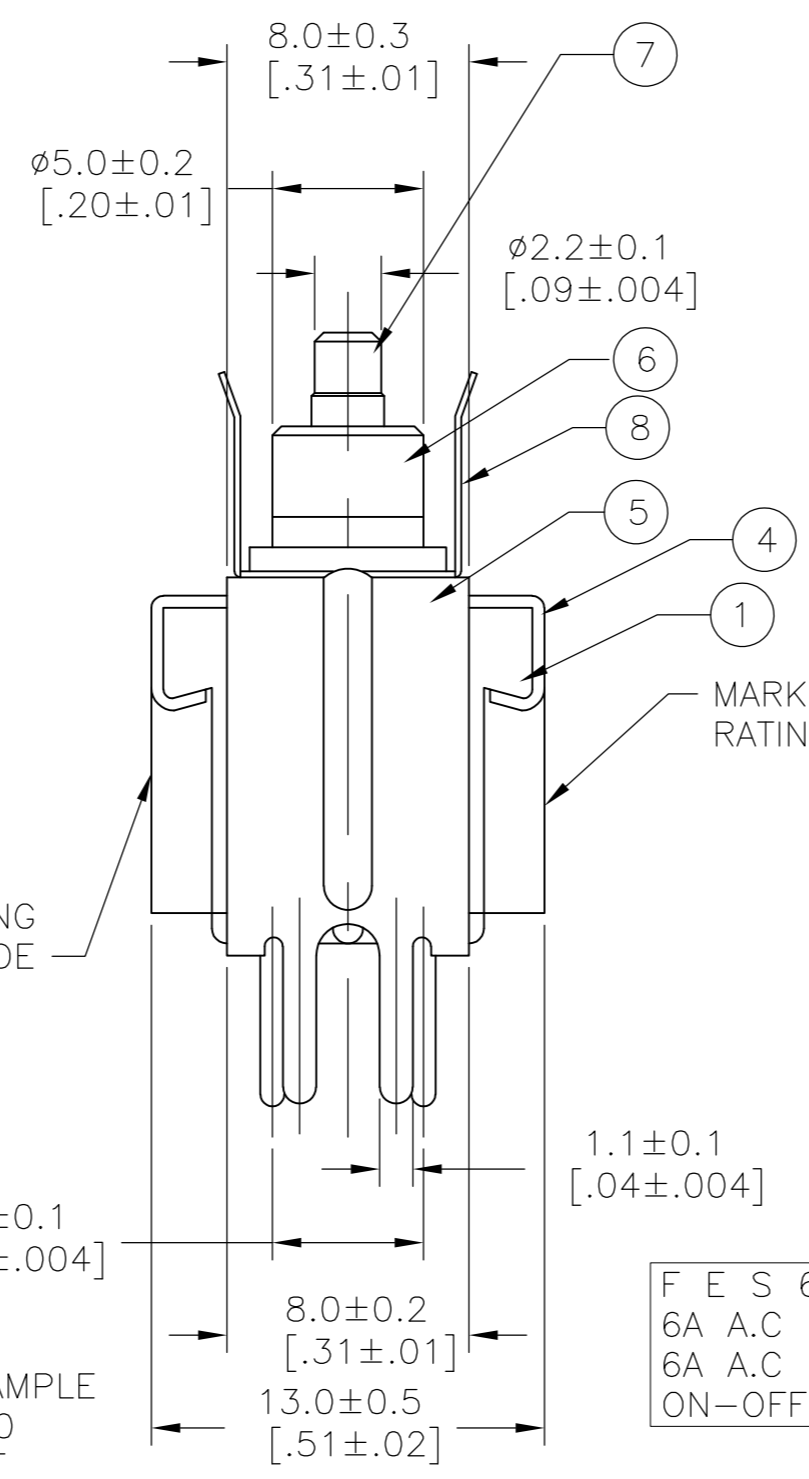
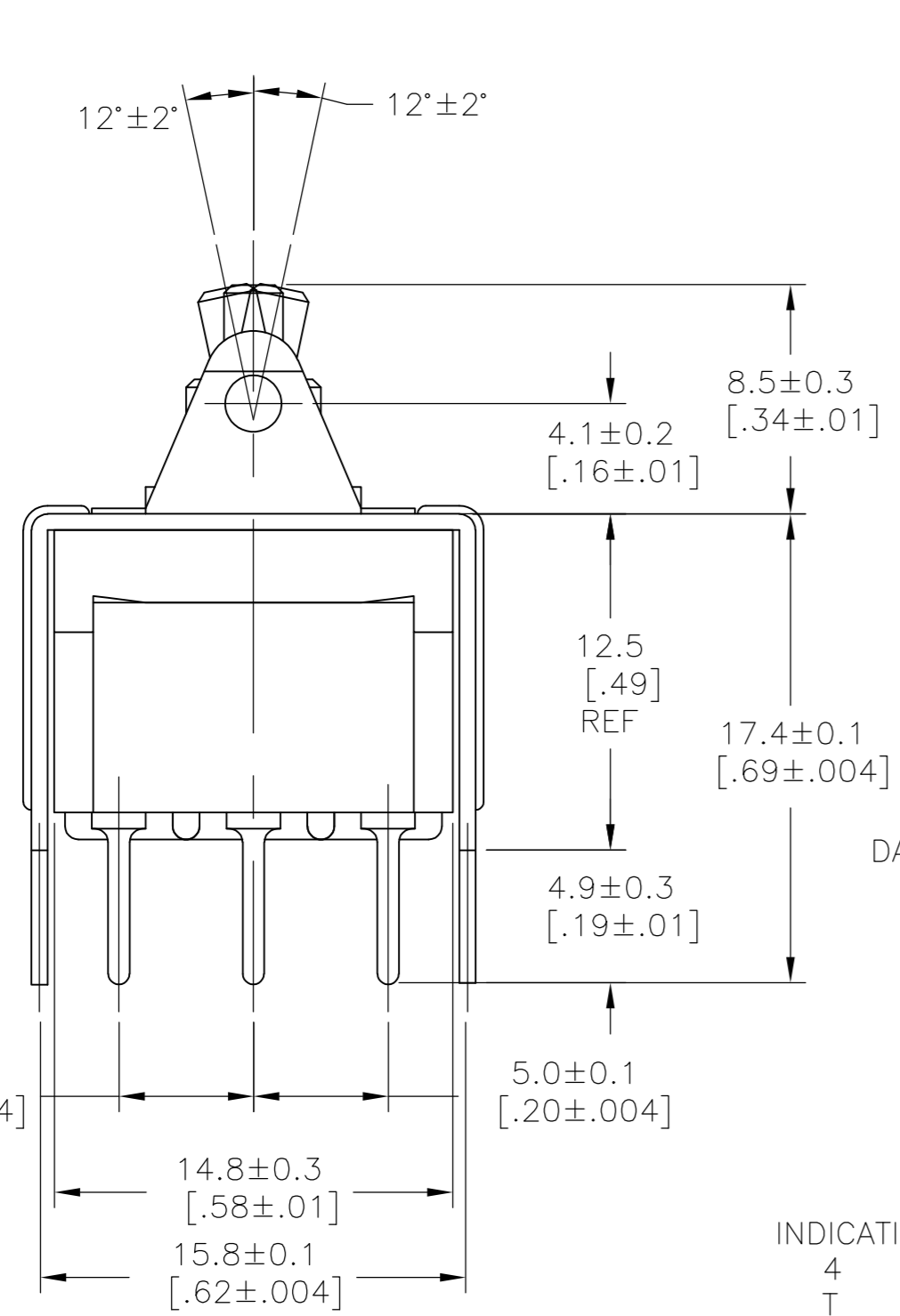


THIS DRAWING IS UNPUBLISHED. RELEASED FOR PUBLICATION  
 © COPYRIGHT BY TYCO ELECTRONICS CORPORATION. ALL INTERNATIONAL RIGHTS RESERVED.

LOC		DIST		REVISIONS			
P	LTR	DESCRIPTION	DATE	DWN	APVD		
	A	REDRAW PER ECO-11-000539	19JAN11	HMR	MW		

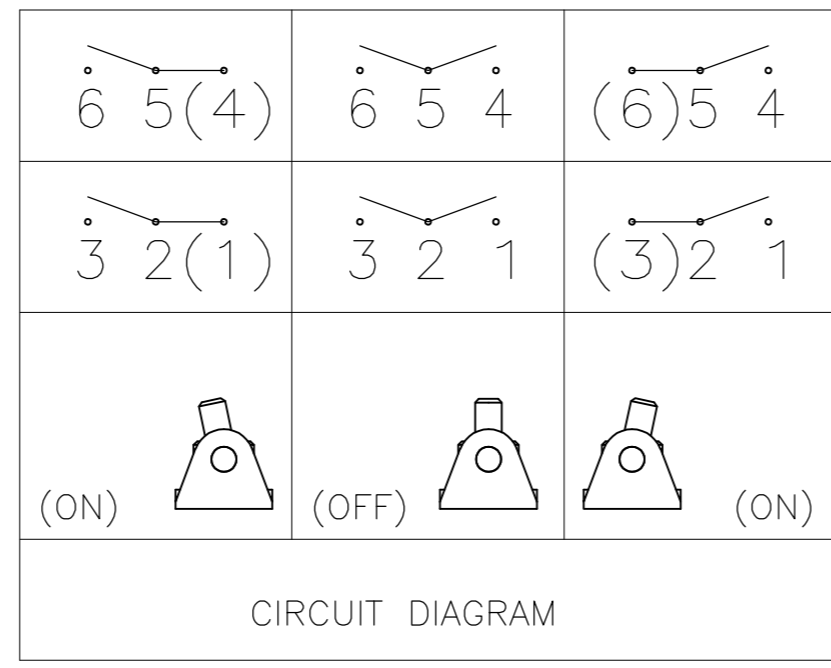
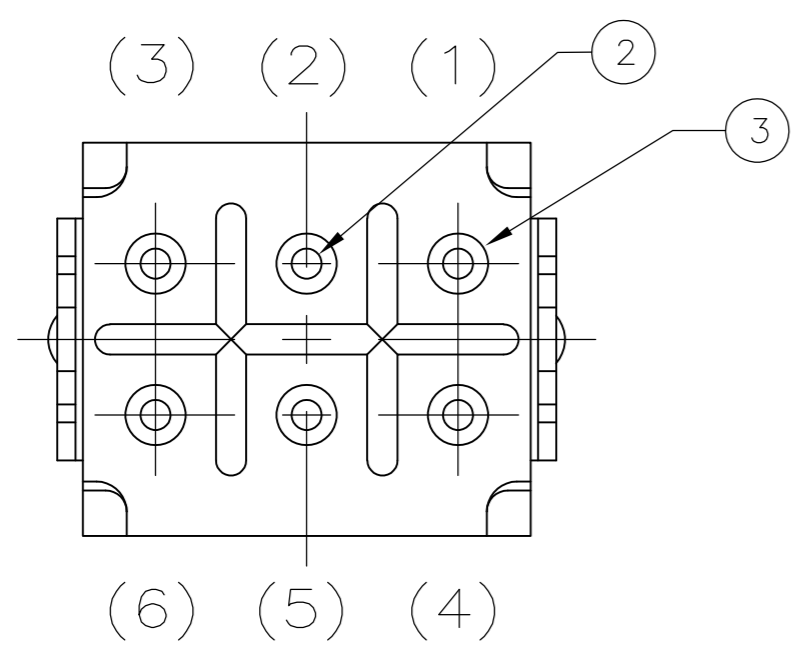
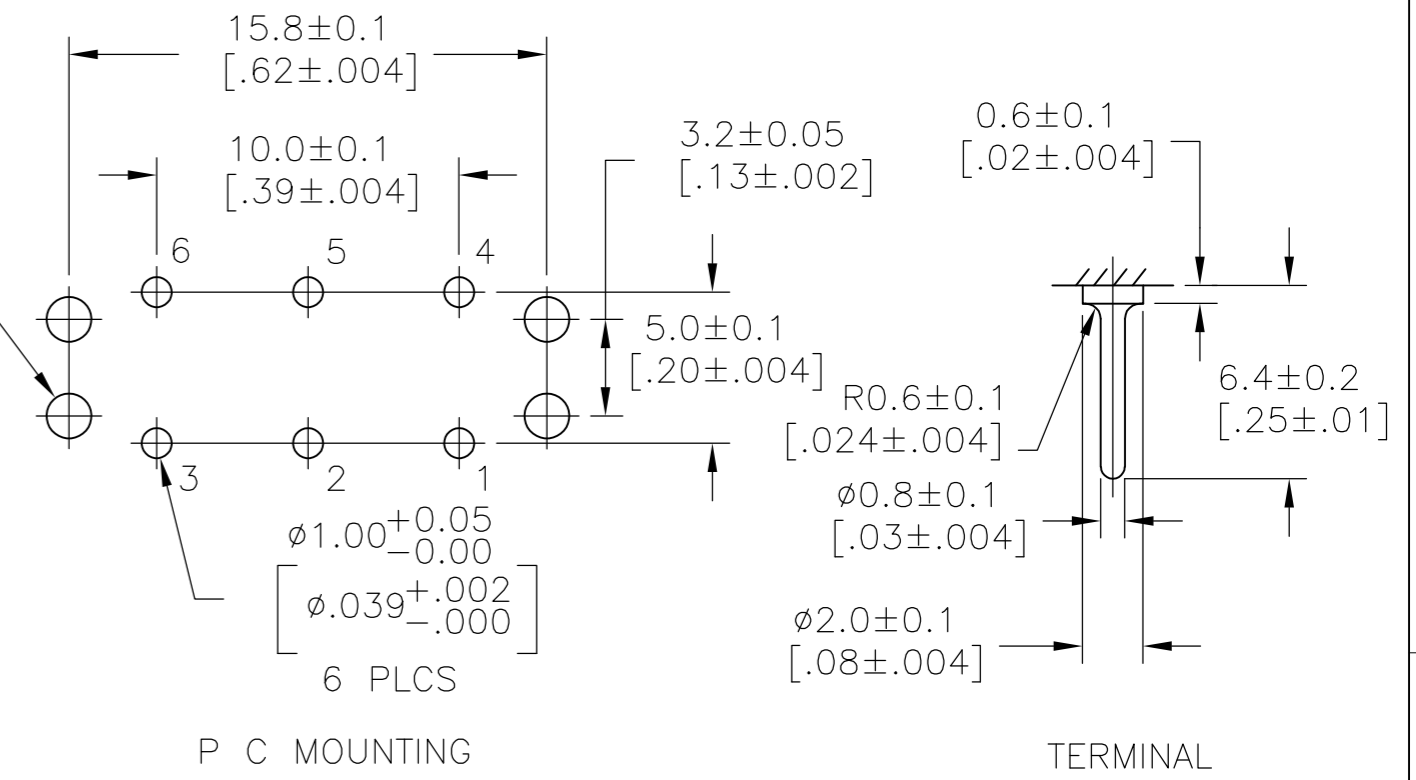


INDICATION EXAMPLE  
 4 F 30  
 T T T  
 YEAR MONTH DAY  
 2011 01 13

F E S 6 0  
 6A A.C 125V  
 6A A.C 250V  
 ON-OFF-ON

SPECIFICATION:

RATING: 6A 125V AC, 6A 250V AC (RESISTANCE LOAD)  
 CONTACT RESISTANCE: 2-4V DC 1A LESS THAN 0.01Ω  
 INSULATION RESISTANCE: DC 500V OVER 1,000MΩ  
 DIELECTICAL STRENGTH: INITIAL 1,000V AC 1 MINUTE.  
 ENDURANCE: ELECTRICAL OVER 25,000 CYCLE.  
 MECHANICAL OVER 50,000CYCLES  
 OTHER: GREASE TO USE...GOLD RESISTANT GREASE (MULTEMP PS NO.1) NOT BUTTON.



( ) IS MOMENTARY

REMARK	QUANTITY	MATERIAL	COMPONENT NAME	ITEM NO.
-	1	SUS304 STAINLESS STEEL	L-SPRING	8
Ep-Cu/Ni3, AuF b NICKEL PLATED	1	C3602BD FREE CUTTING BRASS ROD	KNOB	7
Ep-Cu/Ni3, AuF b NICKEL PLATED	1	C3602BD FREE CUTTING BRASS ROD	MOUNTING SLEEVE	6
Ep-Fe/Sn2 b TIN PLATED	1	SPCC COLD ROLLED STEEL SHEET	PLATE	5
-	1	SUS304 STAINLESS STEEL	FRAME	4
Ep-Cu/Ni3, AuF b GOLD PLATED	4	C3602BD CUTTING BRASS ROD FREE	FIXED CONTACT	3
Ep-Cu/Ni3, AuF b GOLD PLATED	2	C3602BD CUTTING BRASS ROD FREE	COMMON	2
BLACK	1	POLYESTER	CASE	1

THIS DRAWING IS A CONTROLLED DOCUMENT.

DWN RAGHAVENDRA 19JAN11	Tyco Electronics Corporation Harrisburg, PA 17105-3608	
CHK WILBOURN MICHEAL 19JAN11		
APVD WILBOURN MICHEAL 19JAN11		
PRODUCT SPEC		
DIMENSIONS: mm [INCHES]	TOLERANCES UNLESS OTHERWISE SPECIFIED:	NAME
0 PLC ± -	1 PLC ± -	SWITCH ROCKET (FES 60)
1 PLC ± -	2 PLC ± -	SIZE A2
2 PLC ± -	3 PLC ± -	CAGE CODE 00779
3 PLC ± -	4 PLC ± -	DRAWING NO. 1732033
4 PLC ± -	ANGLES ± -	RESTRICTED TO
MATERIAL	FINISH	WEIGHT
-	-	-
CUSTOMER DRAWING		SCALE 1:1
		SHEET 1 OF 1
		REV A