

V3-3019

M

DRAWING NUMBER

ISSUE

6

8

8

REPLACES

RELEASE NO. PR-6074

CHECK

REVISIONS

A	PR-6074	
	R E R	
6	AUG 76	
B	C055729	
	K E W	
29	AUG 84	
C	CO 56987	
	SMA	
1	OCT 85	
D	CO 72387	
	WJC	
27	JUN 92	
E	C076103	
	L F	
4	OCT 93	

CHECK

18 JULY 74

18 JULY 74

18 JULY 74

18 JULY 74

18 JULY 74

18 JULY 74

18 JULY 74

18 JULY 74

18 JULY 74

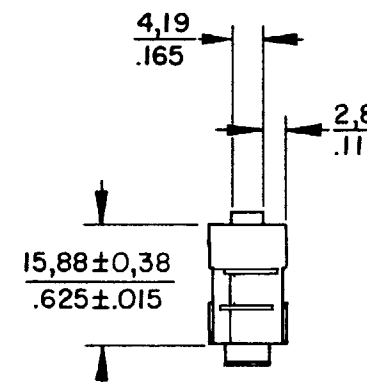
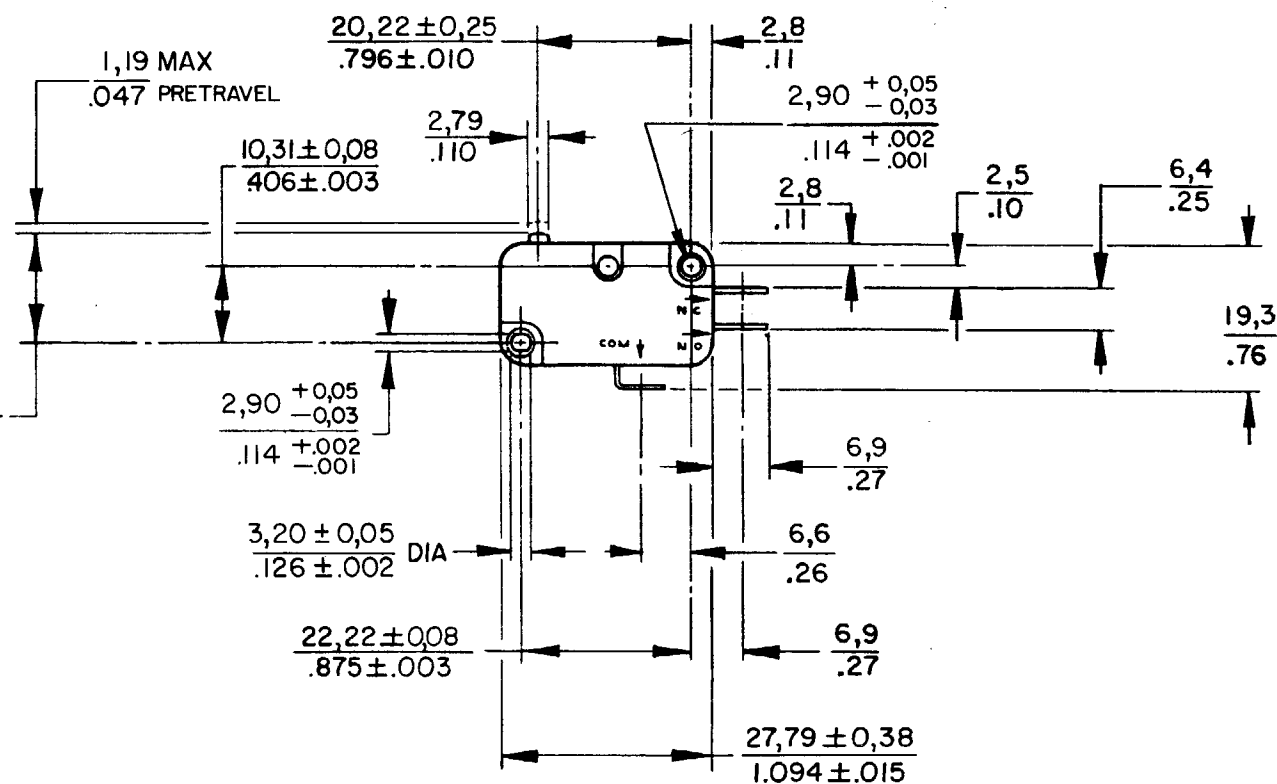
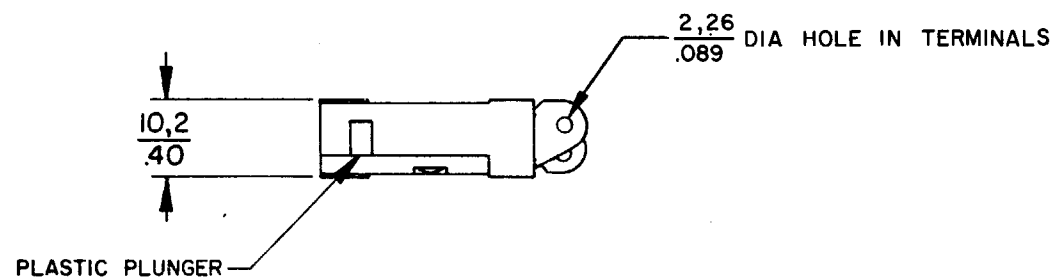
18 JULY 74

18 JULY 74

18 JULY 74

18 JULY 74

18 JULY 74



- NOTES
- 1 - LINEAR MEASURE $\frac{mm}{IN.}$, mm/IN.
 - 2 - mm DIMENSIONS ARE FOR REF ONLY
 - 3 - TERMINALS ARE SILVER PLATED FOR SOLDERING

CHARACTERISTICS	ELECTRICAL DATA	SCALE FULL
OPERATING FORCE----- 150 GRAM MAX	CONTACT ARRANGEMENT S P D T	DO NOT SCALE PRINT
RELEASE TRAVEL----- .010 MIN	L83 15.1A 1/2HP 125 OR 250 VAC 1/2A 125 VDC, 1/4A 250 VDC 5A 125 VAC "L" 	UNLESS OTHERWISE NOTED
RELEASE FORCE----- 15 GRAM MIN		DIMENSIONS ARE IN INCHES
		TOLERANCES ARE:
DIFFERENTIAL TRAVEL----- 0.05_0.26 .002 .010		ONE PLACE (.01) ±0.8/030
OVERTRAVEL----- 1.27 / .050 MIN		TWO PLACE (.001) ±0.38/015
FREE POSITION----- 15.88 / .625 MAX	THREE PLACE (.0001) ±0.15/005	
	ANGLES ±	WEIGHT .016 LB