

NEW!

JCH Series Microminiature IP64 Sealed SMT Detect Switch

Features/Benefits

- SMT process compatible
- Low profile
- Low actuation force
- Sealed IP 64
- Lead free and halogen free
- RoHS

Typical Applications

- Portable/Handheld electronics
- Health care
- Automotive
- A/V equipment
- Mobile phone and peripherals
- Security
- Detection of mechanical movements
- Battery placement detection
- Camera door detection



Specifications

CONTACT RATING: 1 mA @ 5 VDC.
 MECHANICAL & ELECTRICAL LIFE: 100,000 cycles.
 CONTACT RESISTANCE: < 1 Ω (initial).
 INSULATION RESISTANCE: > 100 M Ω .
 OPERATING TEMPERATURE: -20°C to +70°C.
 SOLDERABILITY: IR compatible, no wash. 260°C max.
 PACKAGING: Bulk or tape & reel (2,800 per reel).

Materials

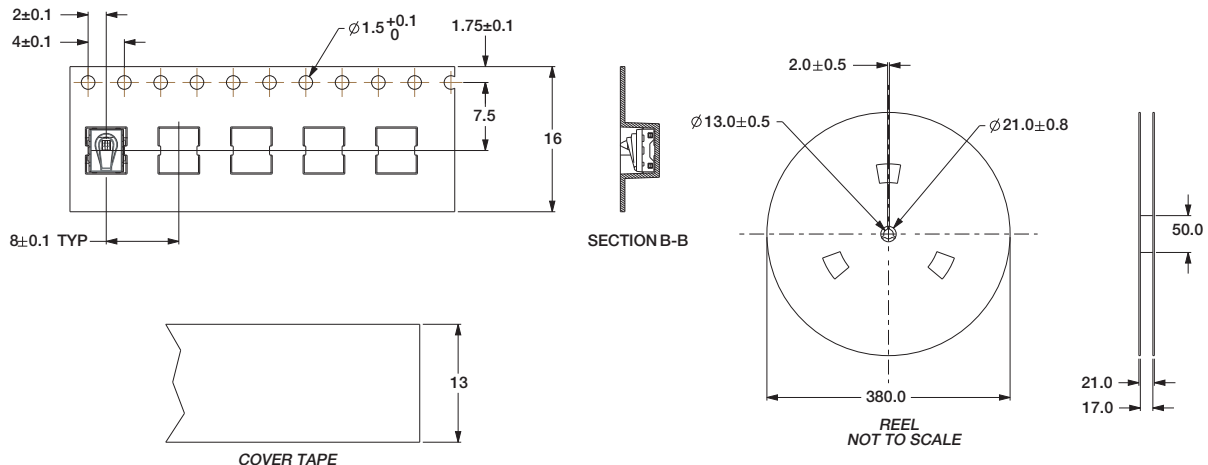
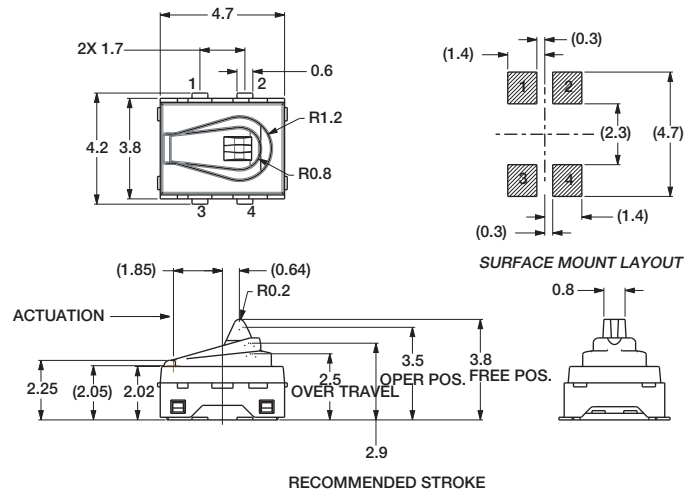
BASE: PA46 (UL 94V-0).
 ACTUATOR: PA46 (UL94V-0).
 COVER/DUST SEAL: PA 46 (UL94V-0) / Silicone.
 MOVABLE CONTACT: Stainless steel, silver over nickel plate.
 TERMINALS: Phosphor bronze, silver over nickel plate

NOTE: Specifications and materials listed above are for switches with standard options. For information on specific and custom switches, consult Customer Service Center.

How to Order

Complete part numbers for JCH Series Switches are shown below.

PART NUMBER	PACKAGING	SCHEMATIC
JCH1AQNP	BULK	
JCH1AQNPR	TAPE & REEL	



Dimensions are shown: mm
 Specifications and dimensions subject to change

