

THIS DOCUMENT IS THE PROPERTY OF APDM COMPONENTS AND SHALL NOT BE COPIED, REPRODUCED, DISCLOSED OR SALE WITHOUT PERMISSION OF A DULY AUTHORIZED REPRESENTATIVE OF APDM COMPONENTS INC.

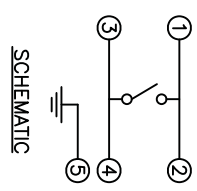
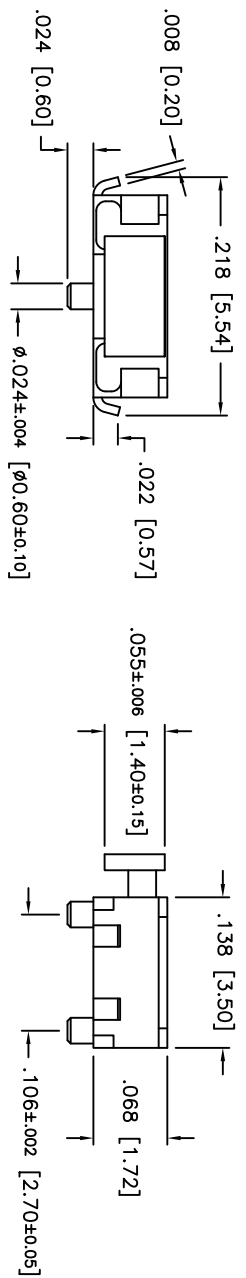
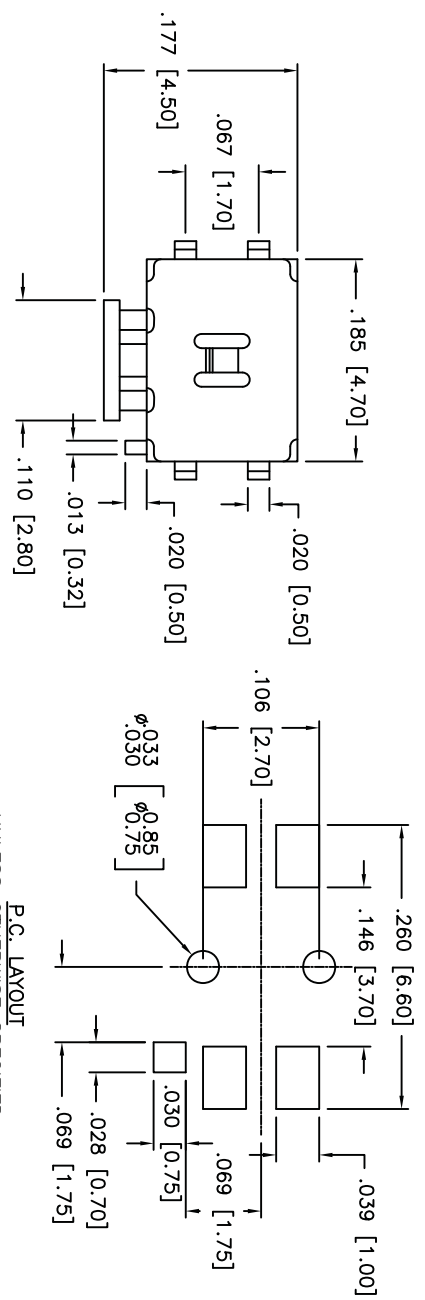
DATE	SYM	REVISION RECORD	DWN.	CK.
10/05	A	ECO# 483	CD	PD
2/07	B	ECO# 628	CD	PD

DESCRIPTION: SPST, MINIATURE SIDE PUSH SWITCH WITH P.C. LOCATING PINS AND SMT GULLWING TERMINALS.

SPECIFICATIONS:

CONTACT RATING: 50ma @ 12VDC  
 INSULATION RESISTANCE: 100 MOHMS MIN. (500VDC)  
 DIELECTRIC STRENGTH: 100VAC FOR 1 MINUTE  
 CONTACT RESISTANCE: 100 MOHMS MAX.  
 SHOCK RESISTANCE: 50G PER METHOD 213B.  
 MIL-STD-202F  
 VIBRATION RESISTANCE: PASSES METHOD 201A, MIL-STD-202F  
 ELECTRICAL LIFE:  
 100,000 CYCLES MIN.  
 OPERATING FORCE: 220gf  $\pm$ 90gf  
 TRAVEL: 0.30  $\pm$ 0.15mm  
 OPERATING TEMP. RANGE: -25°C TO +70°C  
 STORAGE TEMP. RANGE: -30°C TO +80°C  
 MATERIALS

P.C. LAYOUT  
 UNLESS OTHERWISE SPECIFIED  
 P.C. TOLERANCES ARE  $\pm$ .002 [0.05]



COVER: STAINLESS STEEL.  
 CONTACT DISK: STAINLESS STEEL.  
 TERMINAL: BRASS WITH SILVER PLATING.  
 BASE: LCP HIGH-TEMP. THERMOPLASTIC,  
 COLOR: BLACK.  
 STEM: LCP HIGH-TEMP. THERMOPLASTIC,  
 COLOR: BLACK.  
 ROHS COMPLIANT  
 LEAD FREE PROCESS COMPATIBLE  
 HAND SOLDERING: 30 WATT IRON AT 350°C  
 FOR 5 SECONDS  
 IR REFLOW: 255°C MAX

<b>APDM</b> APDM COMPONENTS INC. 63 NEEK RD. HANOVER, MA 01830 TEL: 978-272-3534 FAX: 978-272-3534		PPN: CJD BR: PJD
DESIGNATES CRITICAL DIMENSION	TOLERANCES (UNLESS OTHERWISE SPECIFIED) .XX = $\pm$ .02 [0.05] .XXX = $\pm$ .008 [0.20] .XXXX = $\pm$ .0008 [0.02] ANGLE = 30.5°	TITLE TINY SIDE PUSH SWITCH APTCLGTR
DO NOT SCALE DRAWING	DATE: 12/16/04	DRAWING NO.: B7626
SHEET 1 OF 1	SIZE B	SCALE 9:1
THIRD ANGLE PROJECTION		
REV B	DATE: 12/16/04	DRAWING NO.: B7626

1 2 3 4 5 6 7 8

THIS DOCUMENT IS THE PROPERTY OF APDM COMPONENTS AND SHALL NOT BE COPIED, REPRODUCED, DISCLOSED OR USED AS THE BASIS FOR MANUFACTURING OR SALE WITHOUT PERMISSION OF A DULY AUTHORIZED REPRESENTATIVE OF APDM COMPONENTS INC.

DATE	SYM	REVISION RECORD	DWN.	CK.

DESCRIPTION: SPST, MINIATURE SIDE PUSH SWITCH WITH P.C. LOCATING PINS AND SMT GULLWING TERMINALS.

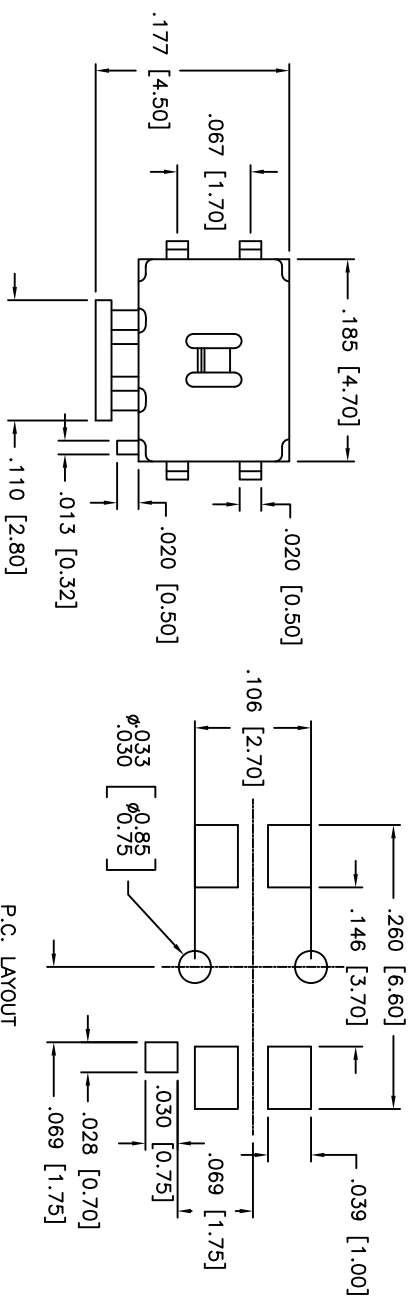
SPECIFICATIONS:

CONTACT RATING: 50ma @ 12VDC  
 INSULATION RESISTANCE: 100 MOHMS MIN. (500VDC)  
 DIELECTRIC STRENGTH: 100VAC FOR 1 MINUTE  
 CONTACT RESISTANCE: 100 MOHMS MAX.  
 SHOCK RESISTANCE: 50G PER METHOD 213B.  
 MIL-STD-202F  
 VIBRATION RESISTANCE: PASSES METHOD 201A, MIL-STD-202F

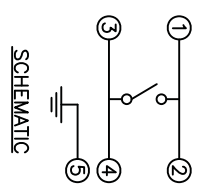
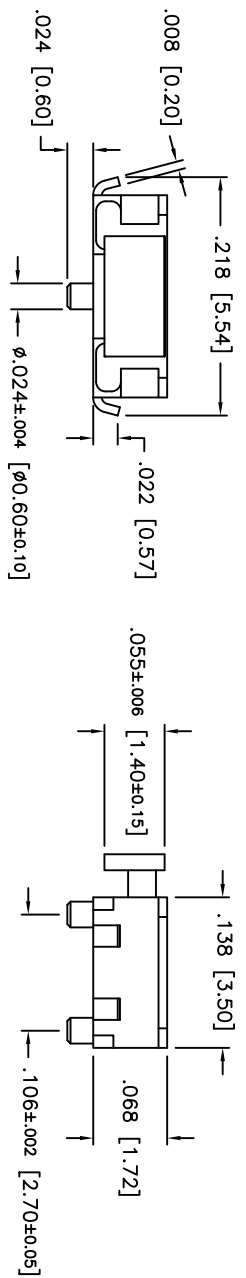
ELECTRICAL LIFE:  
 100,000 CYCLES MIN.  
 OPERATING FORCE: 160±50gf  
 TRAVEL: .008±.004  
 OPERATING TEMP. RANGE: -25°C TO +70°C  
 STORAGE TEMP. RANGE: -30°C TO +80°C  
 MATERIALS

COVER: STAINLESS STEEL.  
 CONTACT DISK: STAINLESS STEEL.  
 TERMINAL: BRASS WITH SILVER PLATING.  
 BASE: LCP HIGH-TEMP. THERMOPLASTIC.  
 COLOR: BLACK.  
 STEM: LCP HIGH-TEMP. THERMOPLASTIC.  
 COLOR: BLACK.

ROHS COMPLIANT  
 LEAD FREE PROCESS COMPATIBLE  
 HAND SOLDERING: 30 WATT IRON AT 350°C FOR 5 SECONDS  
 IR REFLOW: 255°C MAX



P.C. LAYOUT  
 UNLESS OTHERWISE SPECIFIED  
 P.C. TOLERANCES ARE ±.002 [0.05]



Q.A. INSPECT:	DESIGNATES CRITICAL DIMENSION	TOLERANCES (UNLESS OTHERWISE SPECIFIED)	ANGLE = 30.5°
APDM	63 Neck Rd. 01835 Haverhill, MA Phone: 978-372-5554 Fax: 978-372-5554	10X±.012 [0.05] 20X±.008 [0.20] 30X±.006 [0.02]	DO NOT SCALE DRAWING
TITLE	SHEET	SIZE	SCALE
TINY SIDE PUSH SWITCH	1 OF 1	B	9:1
DATE	DRAWING NO.	REV	REV
10/5/05	APTCLGTR	A	A

1 2 3 4 5 6 7 8

THIS DOCUMENT IS THE PROPERTY OF APDM COMPONENTS AND SHALL NOT BE COPIED, REPRODUCED, DISCLOSED OR SALE WITHOUT PERMISSION OF A DULY AUTHORIZED REPRESENTATIVE OF APDM COMPONENTS INC.

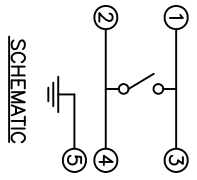
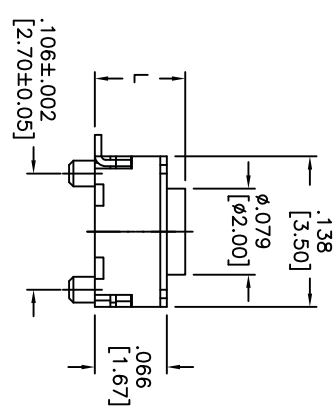
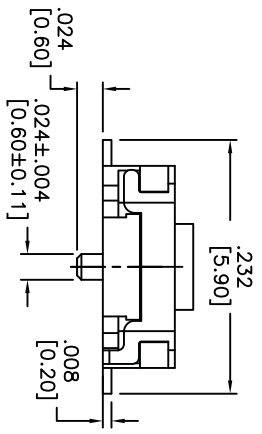
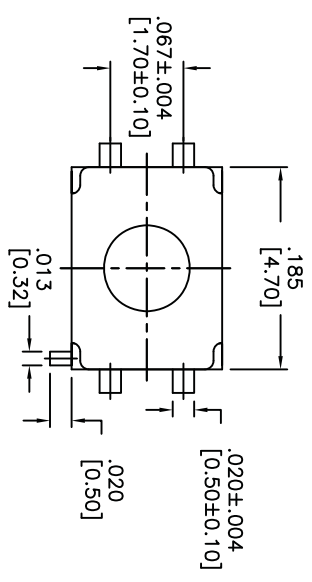
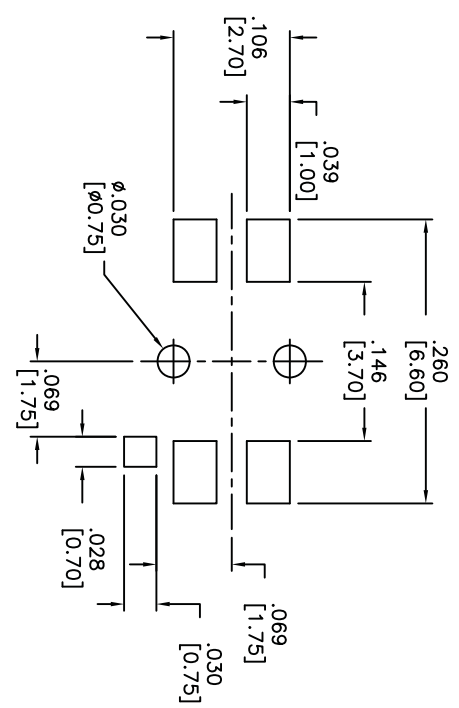
DATE	SYM	REVISION RECORD	DWN.	CK.

DESCRIPTION: SPST, MINIATURE VERTICAL PUSH SWITCH WITH P.C. LOCATING PINS AND SMT SPECIFICATIONS:

CONTACT RATING: 50mA @ 12VDC  
 INSULATION RESISTANCE: 100 MOHMS MIN. (500VDC)  
 DIELECTRIC STRENGTH: 250VAC FOR 1 MINUTE  
 CONTACT RESISTANCE: 100 MOHMS MAX.  
 SHOCK RESISTANCE: 50G PER METHOD 213B, MIL-STD-202F  
 VIBRATION RESISTANCE: PASSES METHOD 201A, MIL-STD-202F  
 ELECTRICAL LIFE: 100,000 CYCLES MIN.  
 OPERATING FORCE: 160±50gf  
 TRAVEL: .008±.004  
 OPERATING TEMP. RANGE: -25°C TO +70°C  
 STORAGE TEMP. RANGE: -30°C TO +80°C  
 MATERIALS

COVER: STAINLESS STEEL.  
 CONTACT DISK: STAINLESS STEEL.  
 TERMINAL: BRASS WITH SILVER PLATING.  
 BASE: LCP HIGH-TEMP. THERMOPLASTIC,  
 COLOR: BLACK.  
 STEM: LCP HIGH-TEMP. THERMOPLASTIC,  
 COLOR: BLACK.  
 ROHS COMPLIANT  
 LEAD FREE PROCESS COMPATIBLE  
 HAND SOLDERING: 30 WATT IRON AT 350°C FOR 5 SECONDS  
 IR REFLOW: 255°C MAX

P.C. LAYOUT  
 UNLESS OTHERWISE SPECIFIED  
 P.C. TOLERANCES ARE ±.004 [0.10]



PART NO.	REV	DATE
APTFCGP1V	.0827	[2.100]
APTFCGP2V	.0984	[2.50]

Q.A. INSPECT	DESIGNER'S INITIAL	TOLERANCES (UNLESS OTHERWISE SPECIFIED)	ANGLE = 30.5°	DO NOT SCALE	DATE	DRAWING NO.	REV
		.XX±.X[0.05] .XXX±.X[0.20] .XXXX±.X[0.002]			7/7/05	APTFCGP*V	A

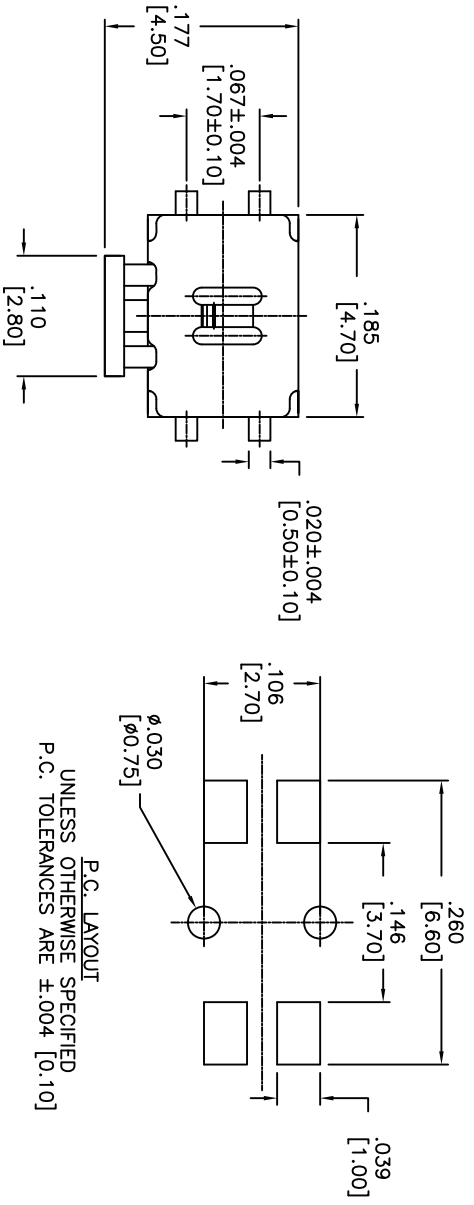


63 Mack Rd.  
 Hawthorn, MA 01835  
 Phone: 978-372-5554  
 Fax: 978-372-5554

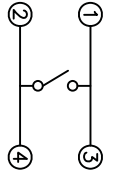
TITLE	SHEET	SIZE	SCALE	THIRD ANGLE PROJECTION
TINY VERTICAL PUSH SWITCH	1 OF 1	B	9:1	

1 2 3 4 5 6 7 8

THIS DOCUMENT IS THE PROPERTY OF APDM COMPONENTS AND SHALL NOT BE COPIED, REPRODUCED, DISCLOSED OR SALE WITHOUT PERMISSION OF A DULY AUTHORIZED REPRESENTATIVE OF APDM COMPONENTS INC.



P.C. LAYOUT  
UNLESS OTHERWISE SPECIFIED  
P.C. TOLERANCES ARE ±.004 [0.10]



SCHEMATIC

DATE	SYM	REVISION RECORD	DWN.	CK.

DESCRIPTION: SPST, MINIATURE SIDE PUSH SWITCH WITH P.C. LOCATING PINS AND SMT SPECIFICATIONS:  
 CONTACT RATING: 50mA @ 12VDC  
 INSULATION RESISTANCE: 100 MOHMS MIN. (500VDC)  
 DIELECTRIC STRENGTH: 250VAC FOR 1 MINUTE  
 CONTACT RESISTANCE: 100 MOHMS MAX.  
 SHOCK RESISTANCE: 50G PER METHOD 213B.  
 MIL-STD-202F  
 VIBRATION RESISTANCE: PASSES METHOD 201A.  
 MIL-STD-202F  
 ELECTRICAL LIFE:  
 100,000 CYCLES MIN.  
 OPERATING FORCE: 220<sup>+90</sup><sub>-70</sub>  
 TRAVEL: .012<sup>+004</sup>  
 OPERATING TEMP. RANGE: -25°C TO +70°C  
 STORAGE TEMP. RANGE: -30°C TO +80°C  
 MATERIALS  
 COVER: STAINLESS STEEL  
 CONTACT DISK: STAINLESS STEEL.  
 TERMINAL: BRASS WITH SILVER PLATING.  
 BASE: LCP HIGH-TEMP. THERMOPLASTIC.  
 COLOR: BLACK.  
 STEM: LCP HIGH-TEMP. THERMOPLASTIC,  
 COLOR: BLACK.  
 TAPE: TEFLON  
 TAPE & REEL PACKAGING: 3,000 PCS. PER REEL  
 ROHS COMPLIANT  
 LEAD FREE PROCESS COMPATIBLE  
 HAND SOLDERING: 30 WATT IRON AT 350°C  
 FOR 5 SECONDS  
 IR REFLOW: 255°C MAX

Q.A. INSPECT:	DESIGNER'S INITIAL:	APDM	63 Neck Rd. Haverhill, MA 01830 Phone: 978-372-5554 Fax: 978-372-5554	DRN. CJD	
TOLERANCES (UNLESS OTHERWISE SPECIFIED) .XX = ±.02 [0.05] .XXX = ±.008 [0.20] .XXXX = ±.0008 [0.02] ANGLE = 30.5°	INCH	SHEET 1 OF 1	SIZE B	SCALE 9:1	THIRD ANGLE PROJECTION
TITLE	TINY SIDE PUSH SWITCH				
DATE	7/7/05	DRAWING NO.	APTCFV		
DO NOT SCALE DRAWING					REV A