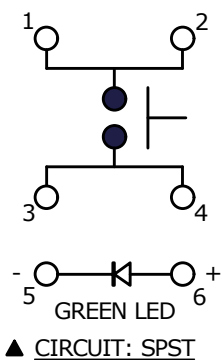
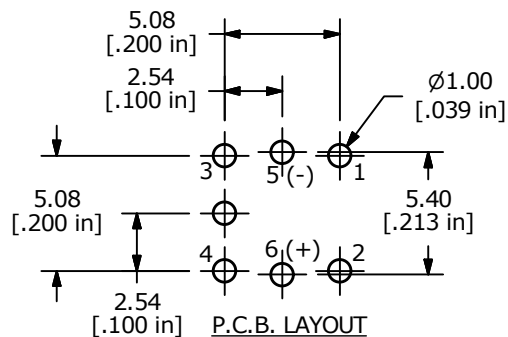
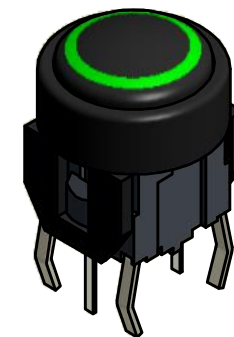
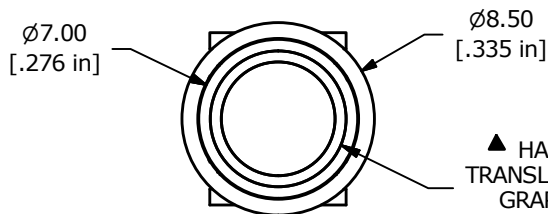


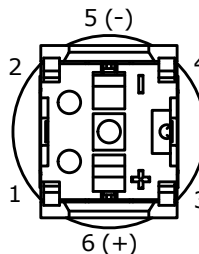
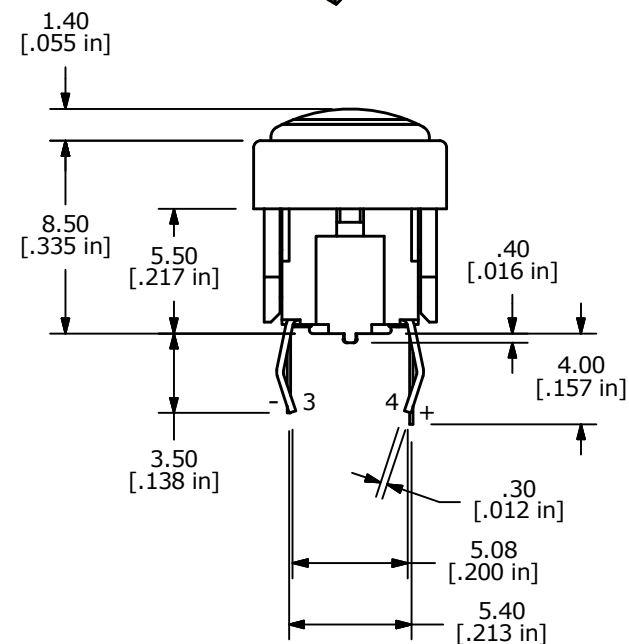
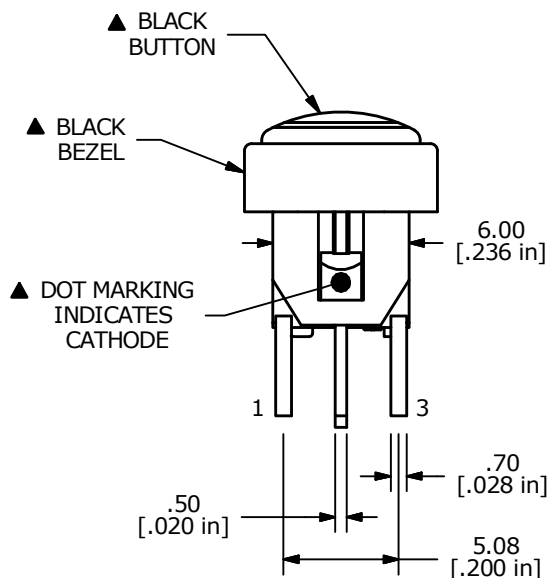
▲ LED SPECS	UNITS	GREEN
FORWARD CURRENT	mA	20
FORWARD VOLTAGE @ 20mA	V	2.1 typ. -2.5 max.
LUMINOUS INTENSITY @ 20mA	mcd	55 typ.



- NOTES:
1. ALL DIMENSIONS IN MM [INCH]
 2. GENERAL TOLERANCE: X.X = ±0.4
X.XX = ±0.25
 3. RATING: 12VDC @ 50mA
 4. CONTACT RESISTANCE: 100 Milli-OHMS MAX.
 5. INSULATION RESISTANCE: 100 Mega-OHMS MIN.
 - ▲ 6. OPERATING FORCE: 180± 50gf
 7. TRAVEL: 0.2± 0.1mm
 8. OPERATING TEMPERATURE: -40° C TO 85° C
 9. OPERATING LIFE: 500,000 CYCLES
 - ▲ 10. LED: GREEN
 11. ▲ DENOTES CRITICAL PARAMETERS
 12. 2002/95/EC (ROHS) COMPLIANT
 13. PARTS TO BE PACKAGE 100 PARTS PER TRAY.



▲ HALO
TRANSLUCENT
GRAPHIC
TO SEE LED



B	22268	UPDATE DRAWING	4/14/16	MW
A	18431	Release for Production	3/4/09	BLR
REV	PCR NO	DESCRIPTION	DATE	BY

TITLE TL1220R1BBBG-HALO				
SCALE 3:1	DATE 3/4/2009	DR BLR	DWG B260007	REV B

THE INFORMATION CONTAINED IN THIS DOCUMENT IS PROPRIETARY TO E-SWITCH AND IS NOT TO BE COPIED OR TRANSFERRED