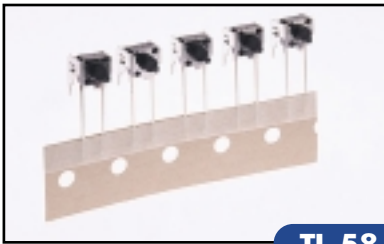
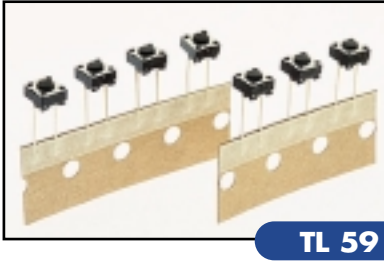


RADIAL LEAD TACT SWITCHES



RT. ANGLE

SPECIFICATIONS

Rating: 50mA@50 VDC
 Electrical Life: 100,000 cycles
 Contact Resistance: 10mΩ max., typical @ 2-4 VDC
 100mA for both silver plated contacts
 Dielectric Strength: >1,000 V rms at sea level
 Operating Force: 100 ± 50 gf, 160 ± 50 gf, 260 ± 50 gf

MATERIALS

Housing: Polybutylene Terephthalate (PBT) or 6/6 Nylon
 Actuator: Polybutylene Terephthalate (PBT) or 6/6 Nylon
 Bracket/Cover: Tin plated steel
 Contacts: Silver plated phosphor bronze
 Terminals: Silver plated brass

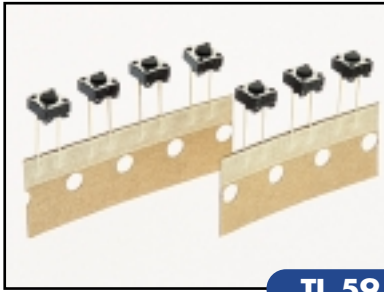
HOW TO ORDER

Series	Model No.	Actuator Length	Operating Force	Contact Material
TL	59	"L" Dimension: N = 4.3mm A = 5.0mm B = 9.5mm C = 8.0mm F = 7.0mm E = 7.3mm P = 8.5mm	F100 F160 F260	Q = Silver
	58	V = 3.85mm X = 4.75mm	F100 F160 F260	Q = Silver

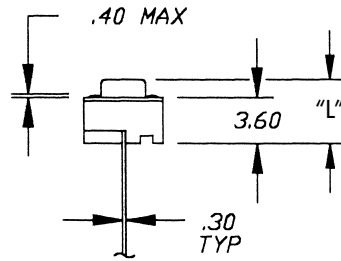
EXAMPLE

TL → 59 → N → F160 → Q

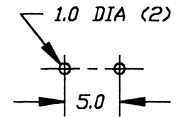
SPECIFICATIONS SUBJECT TO CHANGE WITHOUT NOTICE.



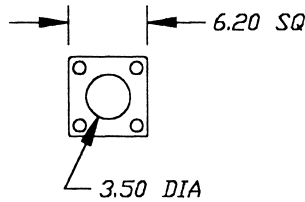
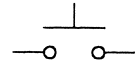
TL 59
Standard
Radial Lead



P.C. MOUNTING



Schematic



ACTUATOR OPTIONS

TL59 "L" DIMENSION

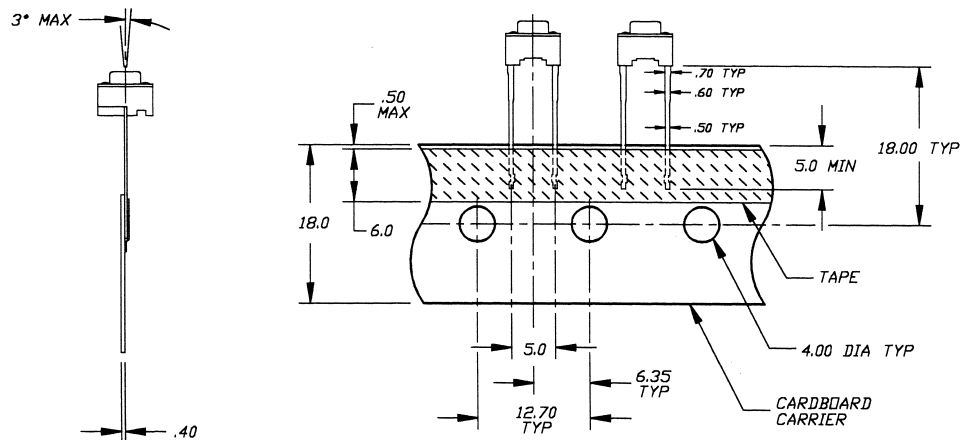
Actuator Length (L) in mm		
N = 4.3	C = 8.0	P = 8.5
A = 5.0	F = 7.0	
B = 9.5	E = 7.3	

OPERATING FORCES

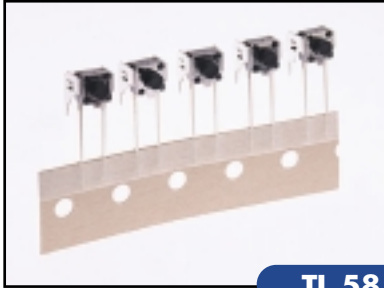
Operating Force
F100 = 100 ± 50gf
F160 = 160 ± 50gf
F260 = 260 ± 50gf

SPECIFICATIONS SUBJECT TO CHANGE WITHOUT NOTICE.

TL 59 RADIAL TAPE

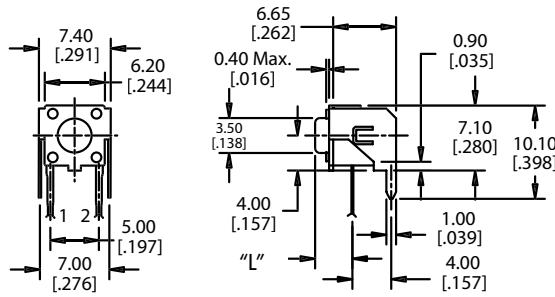


RADIAL LEAD TACT SWITCHES

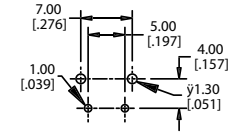


TL 58

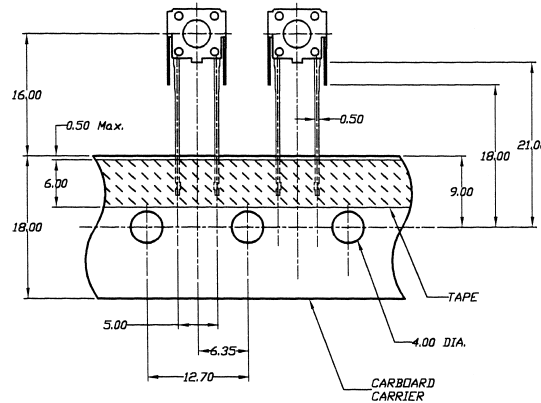
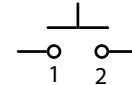
Rt. Angle Radial Lead



P.C. MOUNTING



Schematic



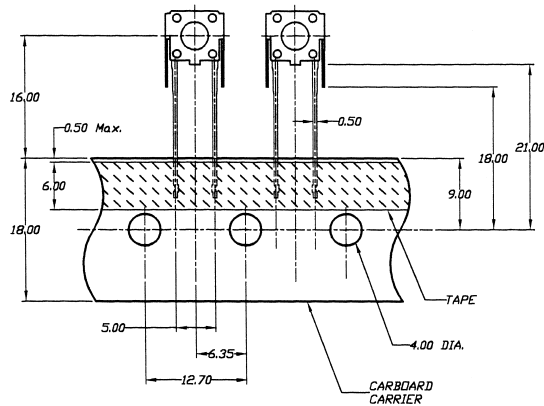
ACTUATOR OPTIONS

TL58 "L" Dimension
Actuator Length (L) in mm
V = 3.85
X = 4.75

OPERATING FORCE

Operating Force
F100 = 100 ± 50gf
F160 = 160 ± 50gf
F260 = 260 ± 50gf

TL 58 RADIAL TAPE



SPECIFICATIONS SUBJECT TO CHANGE WITHOUT NOTICE.