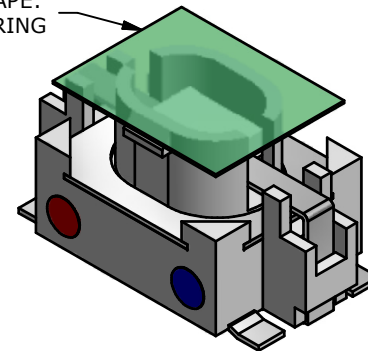
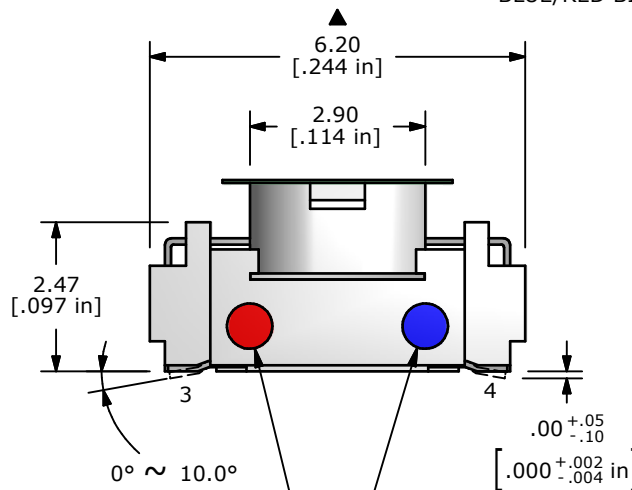


AUTOMATED PICKUP TAPE:
REMOVE AFTER SOLDERING

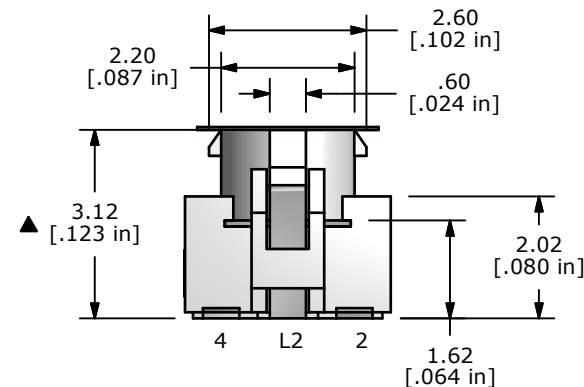


BLUE/RED BI-COLOR LED



RED INK MARK
DENOTES CATHODE
OF RED LED

BLUE INK MARK
DENOTES CATHODE
OF BLUE LED



NOTES:

1. ALL DIMENSIONS IN MM [INCH]
2. GENERAL TOLERANCE: X.X=± 0.4
X.XX=± 0.25
3. RATING: 12VDC, 50mA MAX.
4. CONTACT RESISTANCE: 500mΩ MAX.
5. INSULATION RESISTANCE: 100MΩ MIN. @ 100VDC
6. TRAVEL: 0.2 ± 0.1 mm
7. DIELECTRIC STRENGTH: 250V AC FOR 1 MIN.
- ▲ 8. OPERATING FORCE: 160 ± 50gf
9. OPERATING TEMPERATURE: -20°C TO 70°C
10. OPERATING LIFE: 100,000 CYCLES.
11. PACKAGING: TAPE & REEL, 2000 PIECES PER REEL (B)
12. ▲ DENOTES CRITICAL PARAMETER
13. 2002/95/EC (ROHS) COMPLIANT

LED SPECS	UNITS	BLUE	RED
FORWARD CURRENT	mA	20	20
FORWARD VOLTAGE	V	2.8 MIN - 4.0 MAX	1.95 TYP- 2.5 MAX
LUMINOUS INTENSITY	mcd	80 TYP	230 TYP

REV	PCR NO	DESCRIPTION	DATE	BY
C	21166	ADD TAPE	7/1/13	EBP
B	21007	2000 PER REEL WAS 2500 PER REEL	2/6/13	EBP
A	20905	RELEASE FOR PRODUCTION	10/4/12	EBP



TITLE TL3210AF160BRQ

SCALE	DATE	DR	DWG	REV
	12/4/2012	EBP	B200305	C

THE INFORMATION CONTAINED IN THIS DOCUMENT IS PROPRIETARY
TO E-SWITCH AND IS NOT TO BE COPIED OR TRANSFERRED