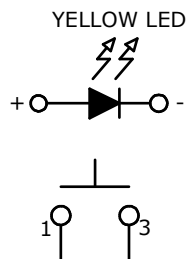
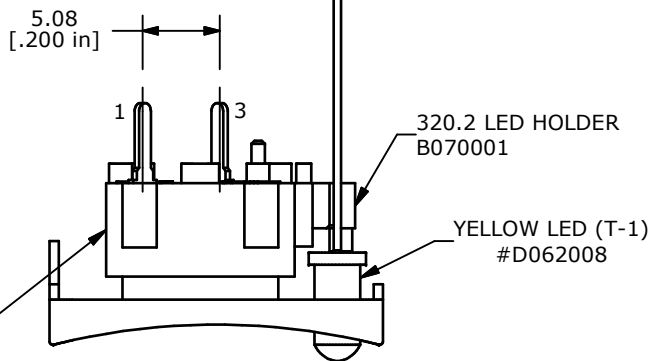
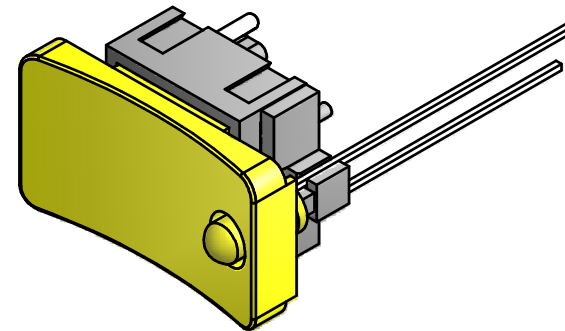


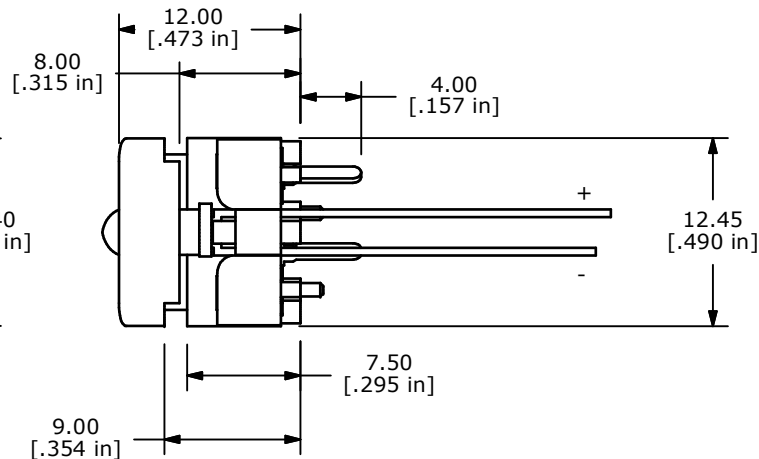
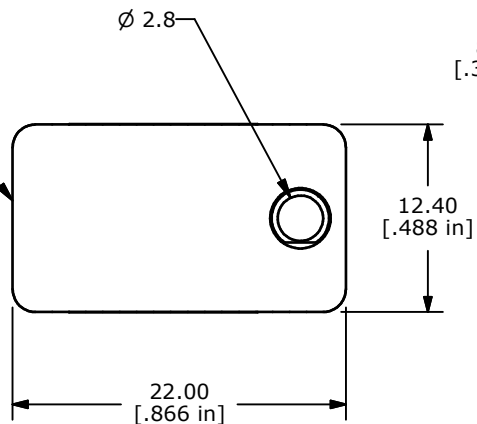
ISOMETRIC



CIRCUIT: SPST

320 E1-1 BODY  
B01ME11

320.2 YELLOW CAP  
B042007



NOTES:

1. ALL DIMENSIONS IN MM [INCH]
2. GENERAL TOLERANCE X.X=± 0.4  
X.XX=± 0.25
3. TERMINAL NUMBERS FOR REF. ONLY
4. CONTACT RATING: 25mA, 50 VDC
5. TRAVEL: 0.7mm
6. OPERATING FORCE: 120gf
- ▲ 7. USES E1-1 CONTACT DOME (B050001)
8. ▲ DENOTES CRITICAL PARAMETER.



TITLE 320.2E11YELYELLED

A	18619	Release For Production	8/13/09	BLR
REV	PCR NO	DESCRIPTION	DATE	BY

SCALE	DATE	DR	DWG	REV
2:1	8/13/2009	BLR	XB0922A	A

THE INFORMATION CONTAINED IN THIS DOCUMENT IS PROPRIETARY TO E-SWITCH AND IS NOT TO BE COPIED OR TRANSFERRED