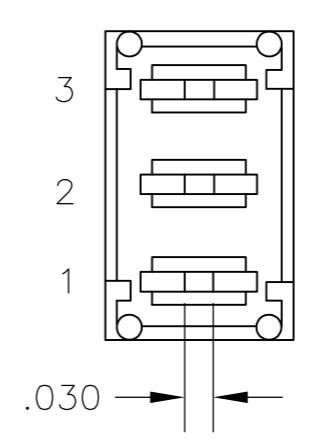
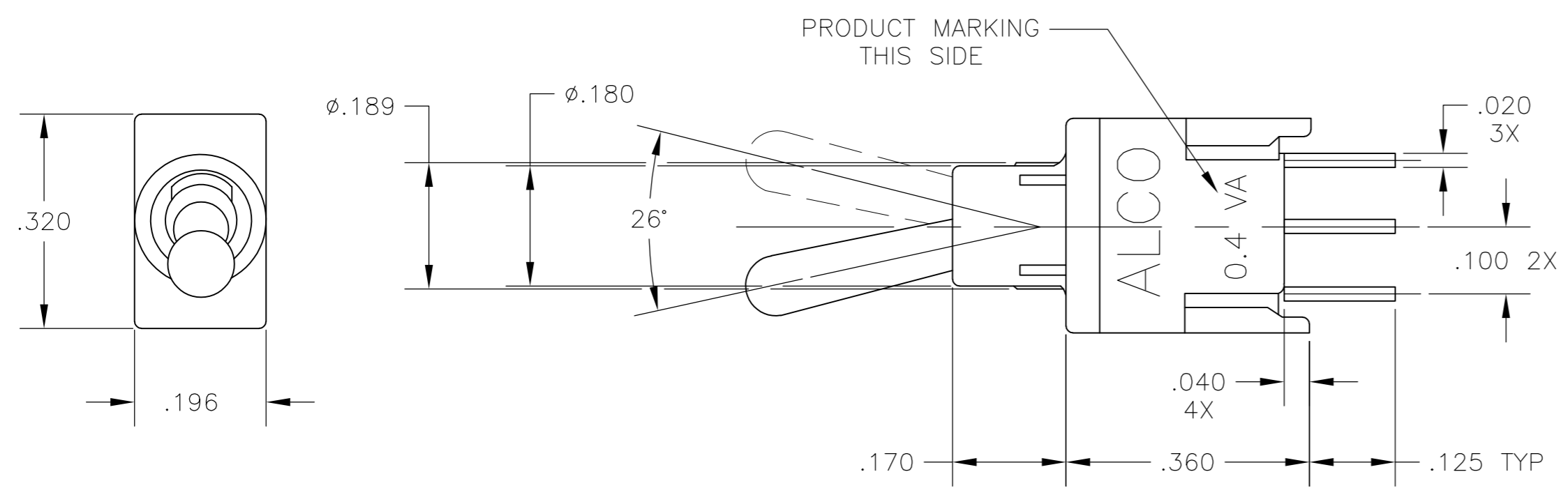


THIS DRAWING IS UNPUBLISHED. RELEASED FOR PUBLICATION  
 © COPYRIGHT - By - ALL RIGHTS RESERVED.

LOC		DIST		REVISIONS			
P	LTR	DESCRIPTION	DATE	DWN	APVD		
B2		REVISED PER ECO-11-004917	11MAR11	RK	HMR		



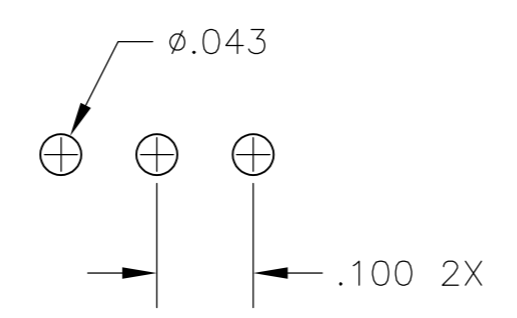
**SPECIFICATIONS:**

**MATERIALS:**  
 CASE: HIGH TEMPERATURE POLYESTER  
 ACTUATOR: NICKEL PLATED COPPER ALLOY  
 MOVABLE CONTACT: GOLD OVER NICKEL OVER COPPER ALLOY  
 STATIONARY CONTACT: GOLD OVER NICKEL OVER COPPER ALLOY  
 TERMINALS: TIN LEAD OVER COPPER ALLOY  
 ACUATOR SEAL: O-RING

**ELECTRICAL:**  
 CONTACT RATING: 0.4 VA@ 20 VDC OR PEAK AC  
 INITIAL CONTACT RESISTANCE: 20 MILLIOHMS MAX.  
 INSULATION RESISTANCE: 1,000 MEGOHMS AT 500 VDC MIN.  
 DIELECTRIC STRENGTH: 1,000 VOLTS RMS AT SEA LEVEL  
 LIFE EXPECTANCY: 2 POSITION: 80,000 CYCLES  
 3 POSITION: 60,000 CYCLES  
 MOMENTARY: 30,000 CYCLES

**ENVIRONMENTAL:**  
 OPERATING TEMPERATURE: -22°F TO +185°F (-30°C TO +85°C)  
 STORAGE TEMPERATURE: -67°F TO +185°F (-55°C TO +85°C)

**PC MOUNT**



**PC HOLE PATTERN**  
 TOLERANCES FOR ALL PCB LAYOUT  
 DIMENSIONS TO BE ±.002

**NOTES**

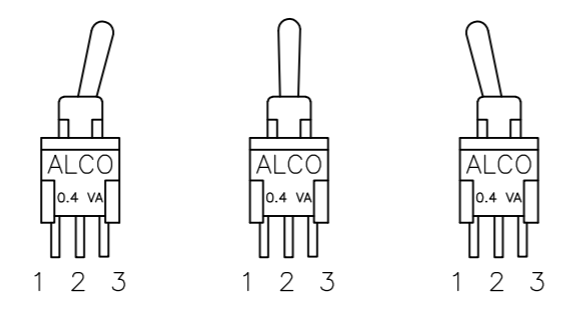
1. INTERPRET DRAWING PER ASME Y14.5M-1994.

**PART NUMBERING SEQUENCE**

MODEL	NO OF POLES	CONTACT RATING	FUNCTION	CONTAC PLATING	TERMINATORS	ACTUATOR	BUSHING (PLAIN)	TAPE & REEL PKGNG.
TST	1	1	<ul style="list-style-type: none"> <li>D ON NONE ON</li> <li>E ON OFF ON</li> <li>F ON NONE (ON)</li> <li>G (ON) OFF (ON)</li> <li>H ON OFF (ON)</li> </ul>	G	<ul style="list-style-type: none"> <li>PC P.C.</li> <li>PCV P.C. WITH BRACKET</li> <li>RA RIGHT ANGLE</li> <li>VRA VERTICAL RIGHT ANGLE</li> </ul>	<ul style="list-style-type: none"> <li>1 .206"</li> <li>2 .250"</li> <li>4 .400"</li> </ul>	D	TR

**FUNCTION CHART**

THE FOLLOWING FUNCTIONS AVAILABLE IN SINGLE POLE.



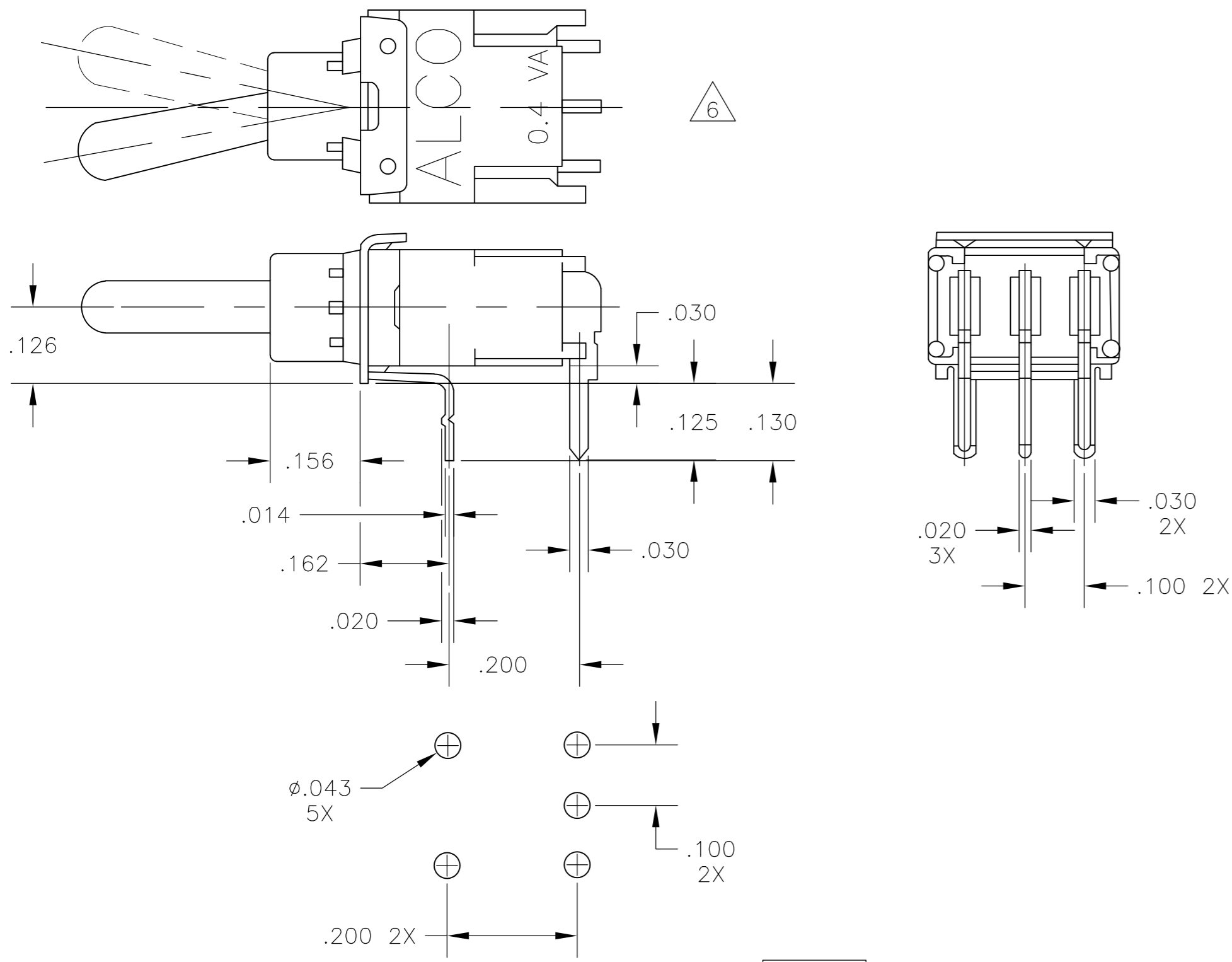
NONE	INDICATES NO MECH-ANICAL POSITION.	D	2 POSITIONS	ON	NONE	ON
OFF	INDICATES A MECH-ANICAL POSITION WITH NO ELECTRICAL CONNECTION.	E	3 POSITIONS	ON	OFF	ON
(ON)	INDICATES MOMENTARY ACTION.	F	2 POSITIONS	ON	NONE	(ON)
		G	3 POSITIONS	(ON)	OFF	(ON)
		H	3 POSITIONS	ON	OFF	(ON)

TERMINALS CONNECTED: 1-2 - 2-3

THIS DRAWING IS A CONTROLLED DOCUMENT.		DWN	11JUL90	<b>STE</b> TE Connectivity
DIMENSIONS: INCHES		CHK	20DEC90	
TOLERANCES UNLESS OTHERWISE SPECIFIED:		APVD	20DEC90	NAME OUTLINE DRAWING SEALED TOGGLE SWITCH. SINGLE POLE. TST SERIES
0 PLC ± -		PRODUCT SPEC		
1 PLC ± -		APPLICATION SPEC		SIZE
2 PLC ± -				CAGE CODE
3 PLC ± .010				DRAWING NO
4 PLC ± -				RESTRICTED TO
ANGLES ± 3'				SCALE
MATERIAL	FINISH	WEIGHT	-	A2
SEE SPECIFICATIONS	SEE SPECIFICATIONS			00779
CUSTOMER DRAWING		SCALE 5:1		SHEET 1 of 3
				REV B2

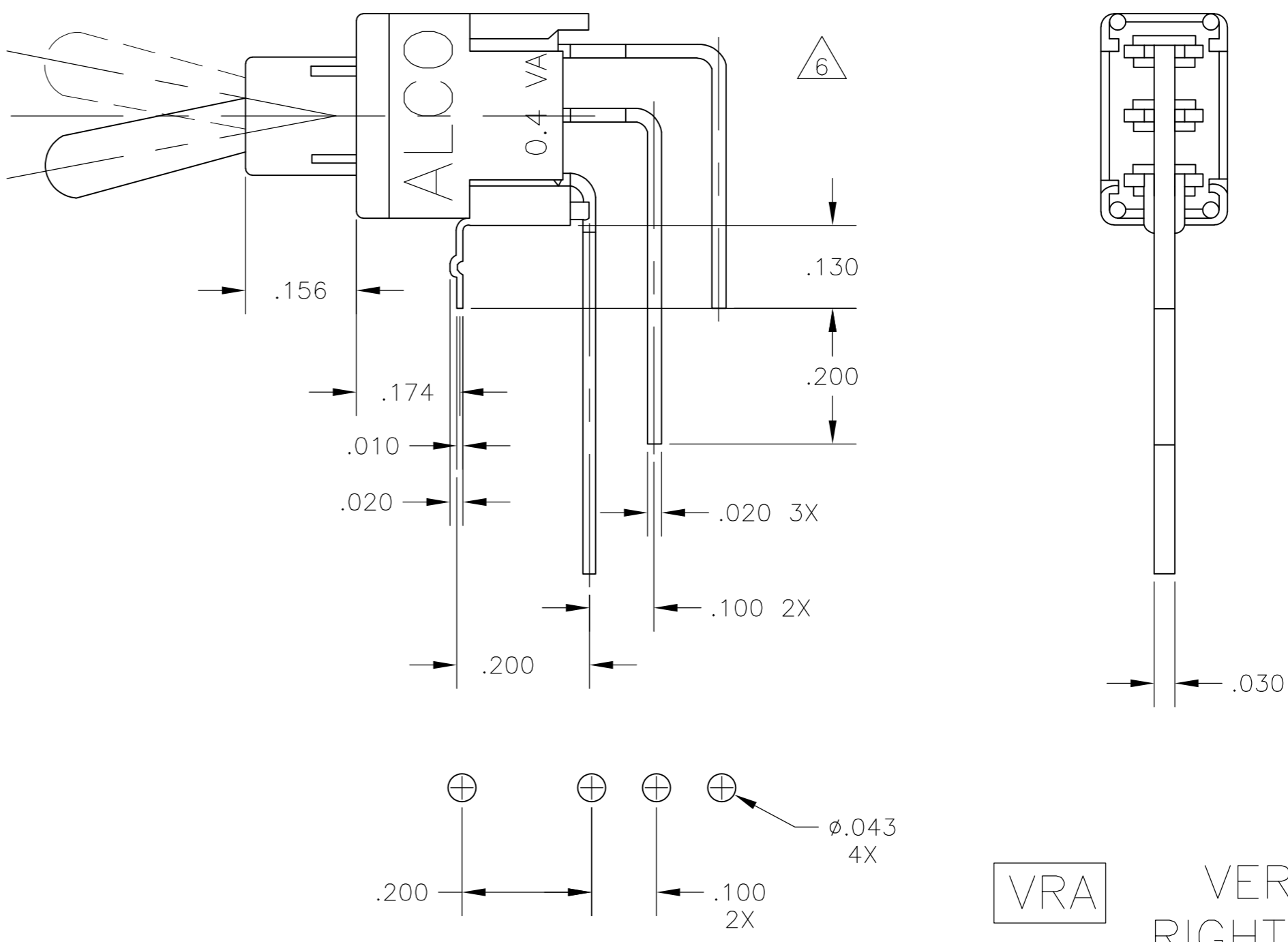
THIS DRAWING IS UNPUBLISHED. RELEASED FOR PUBLICATION  
 © COPYRIGHT - By - ALL RIGHTS RESERVED.

LOC		DIST		REVISIONS			
P	LTR	DESCRIPTION	DATE	DWN	APVD		
AD	00						
SEE SHEET 1							



**RA** RIGHT ANGLE

TOLERANCES FOR ALL PCB LAYOUT DIMENSIONS TO BE ±.002



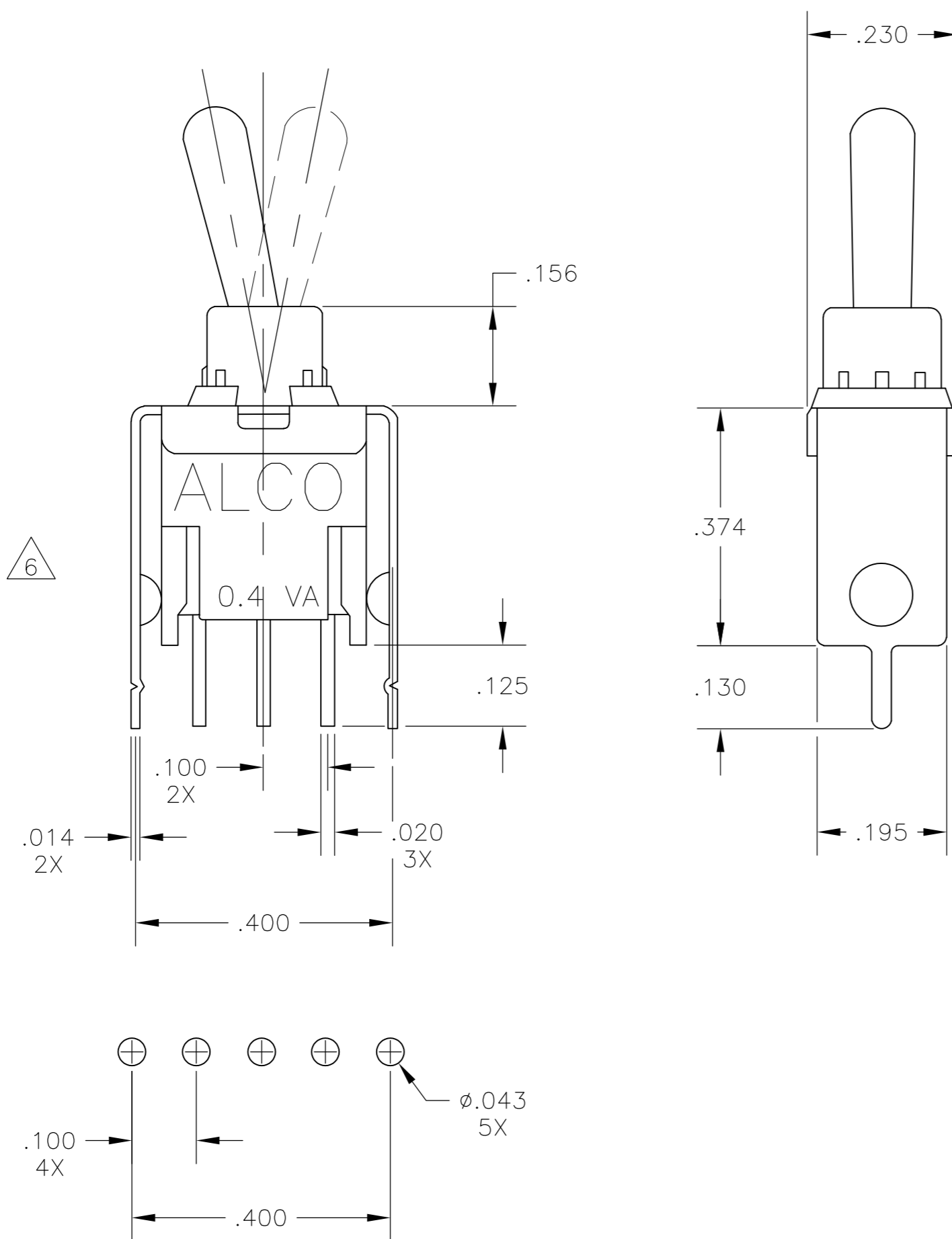
**VRA** VERTICAL RIGHT ANGLE

TOLERANCES FOR ALL PCB LAYOUT DIMENSIONS TO BE ±.002

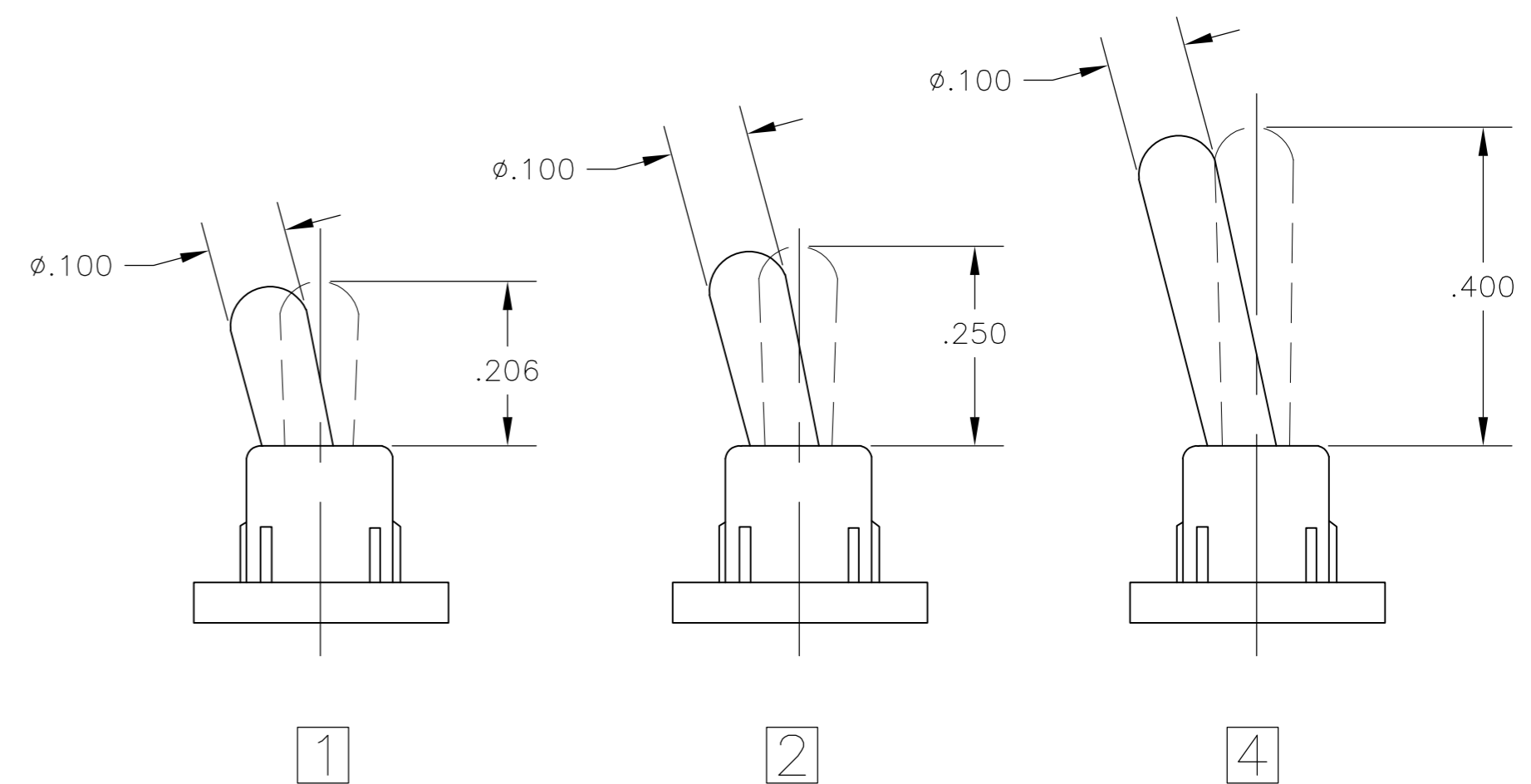
THIS DRAWING IS A CONTROLLED DOCUMENT.		DWN	11JUL90				
		CHK	20DEC90				
		APVD	20DEC90				
		PRODUCT SPEC					
DIMENSIONS: INCHES		TOLERANCES UNLESS OTHERWISE SPECIFIED:		NAME			
		0 PLC	± -	OUTLINE DRAWING SEALED TOGGLE SWITCH. SINGLE POLE. TST SERIES			
		1 PLC	± -				
		2 PLC	± -				
		3 PLC	± .010				
MATERIAL		FINISH	WEIGHT	SIZE	CAGE CODE	DRAWING NO	RESTRICTED TO
SEE SPECIFICATIONS		SEE SPECIFICATIONS	-	A2	00779	C-1-1437564-1	-
		CUSTOMER DRAWING		SCALE	SHEET	REV	
				5:1	2 of 3	B2	

THIS DRAWING IS UNPUBLISHED. RELEASED FOR PUBLICATION  
 © COPYRIGHT - By - ALL RIGHTS RESERVED.

LOC		DIST		REVISIONS			
P	LTR	DESCRIPTION	DATE	DWN	APVD		
AD	00						
SEE SHEET 1							



ACTUATORS



3-1437564-9	TST11HGSRA2D	OBSOLETE
3-1437564-8	TST11HGSA2D	OBSOLETE
3-1437564-7	TST11GGSRA4D	OBSOLETE
3-1437564-6	TST11GGSRA1D	OBSOLETE
3-1437564-5	TST11GGRA1D	OBSOLETE
3-1437564-4	TST11GGPC4D	OBSOLETE
3-1437564-3	TST11GGPC1D	OBSOLETE
3-1437564-2	TST11FGVRA1D	OBSOLETE
3-1437564-1	TST11FGSRA1D	OBSOLETE
3-1437564-0	TST11FGSPC1D	OBSOLETE
2-1437564-9	TST11FGRA1D	OBSOLETE
2-1437564-8	TST11FGPCV1D	OBSOLETE
2-1437564-7	TST11FGPC1D	OBSOLETE
2-1437564-6	TST11EGVRA1D	OBSOLETE
2-1437564-5	TST11EGSRA2D	OBSOLETE
2-1437564-4	TST11EGSRA1D	OBSOLETE
2-1437564-3	TST11EGRA1D	OBSOLETE
2-1437564-2	TST11EGPCV4D	OBSOLETE
2-1437564-1	TST11EGPCV1D	OBSOLETE
2-1437564-0	TST11EGPC1D	OBSOLETE
1-1437564-9	TST11DGWW1D	OBSOLETE
1-1437564-8	TST11DGVRA2D	OBSOLETE
1-1437564-7	TST11DGVRA1D	
1-1437564-6	TST11DGSRA1D	OBSOLETE
1-1437564-5	TST11DGSRA1D	OBSOLETE
1-1437564-4	TST11DGSPC1D	OBSOLETE
1-1437564-3	TST11DGRA2D	OBSOLETE
1-1437564-1	TST11DGRA1D	
1-1437564-0	TST11DGPCV1D	
1437564-9	TST11DGPC4D	OBSOLETE
1437564-7	TST11DGPC1D	
P/N	ALCO P/N	

TOLERANCES FOR ALL PCB LAYOUT DIMENSIONS TO BE ±.002

PCV

PC WITH VERTICAL SUPPORT BRACKET

THIS DRAWING IS A CONTROLLED DOCUMENT.		DWN	11JUL90		
DIMENSIONS: INCHES		CHK	20DEC90		
TOLERANCES UNLESS OTHERWISE SPECIFIED:		APVD	20DEC90		
0 PLC ± - 1 PLC ± - 2 PLC ± - 3 PLC ± .010 4 PLC ± - ANGLES ± 3°		NAME			
MATERIAL: SEE SPECIFICATIONS		FINISH	SEE SPECIFICATIONS	OUTLINE DRAWING SEALED TOGGLE SWITCH. SINGLE POLE. TST SERIES	
CUSTOMER DRAWING		WEIGHT	-	SIZE	A2
		SCALE	5:1	CAGE CODE	00779
		SHEET	3 of 3	DRAWING NO	1-1437564-1
		REV	B2	RESTRICTED TO	-