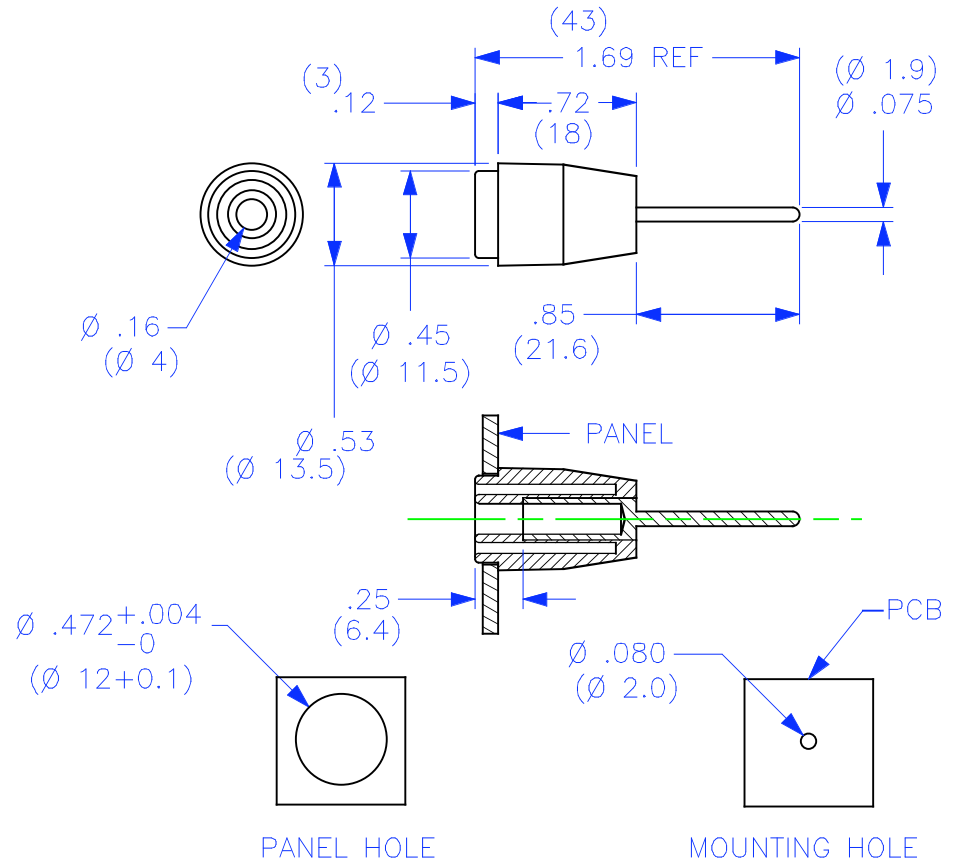


THIS IS ISSUED IN STRICT CONFIDENCE THAT IT IS NOT USED AS A BASIS FOR MANUFACTURE OR SALE AND THAT IT IS NOT COPIED, REPRINTED OR DISCLOSED TO A THIRD PARTY EITHER WHOLLY OR IN PART WITHOUT THE PRIOR WRITTEN CONSENT OF CAL TEST ELECTRONICS, INC.

REVISIONS			
REV.	DESCRIPTIONS	DATE	APPROVED
—	CLASS A RELEASED	10/13/03	

- SAFETY JACK, REAR MOUNT, VERTICAL PCB, LONG PIN.
- SPECIFICATIONS:
INSULATOR: POLYACETAL
CONTACT: BRASS, NICKEL PLATED
- RATING:
VOLTAGE: 1,000 V CATIII P2 (IEC 61010-031)
CURRENT: 25A MAX.
RESISTANCE: <5mΩ.
TEMPERATURE: -20° C TO +80° C.
- MOUNTING: REF. DIAGRAM
- MAXIMUM PANEL THICKNESS: .12 (3).



PART NUMBER

CT3150-#

- COLOR:
- 0 - BLACK
 - 1 - BROWN
 - 2 - RED
 - 4 - YELLOW
 - 5 - GREEN
 - 6 - BLUE
 - 7 - PURPLE
 - 8 - GRAY
 - 9 - WHITE

THIRD ANGLE PROJECTION		UNLESS OTHERWISE SPECIFIED DIMENSIONS ARE IN INCHES TOLERANCES ARE: FRACTIONS DECIMALS ± 1/32 .XX ± .02 .XXX ± .005 DO NOT SCALE DRAWING	CONTRACT NO.		Cal Test Electronics 22820 Savi Ranch Parkway Yorba Linda, CA 92887-4610			
			APPROVALS	DATE	TITLE			
NEXT ASSY		MATERIAL	DRAWN	10/13/03	4mm SAFETY JACK, VERTICAL PCB MOUNT, LONG PIN			
USED ON		FINISH	CHECKED		SIZE	CAGE CODE	DWG. NO.	REV.
APPLICATION			ENGR.		A	43F45	P315000	—
			DESIGN ACTIVITY		SCALE		SHEET	
					1:1		1 OF 1	