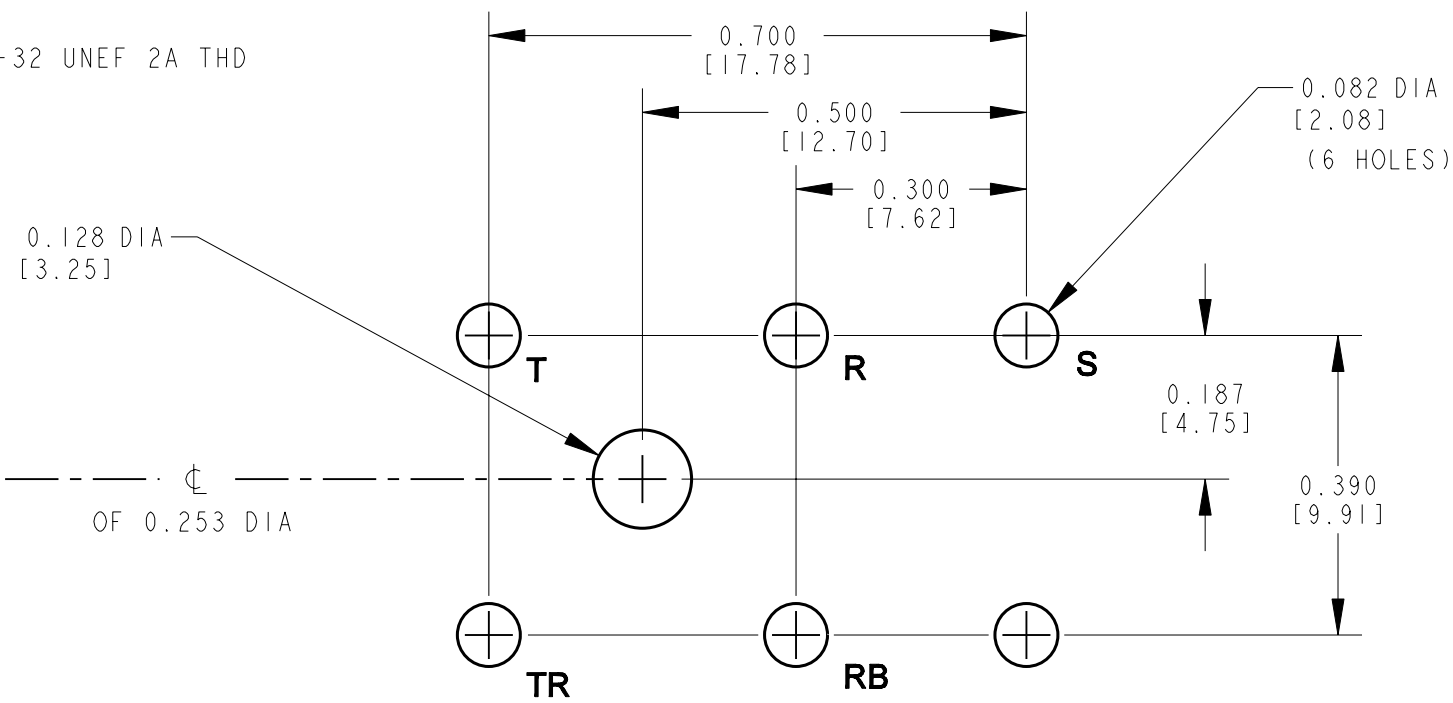
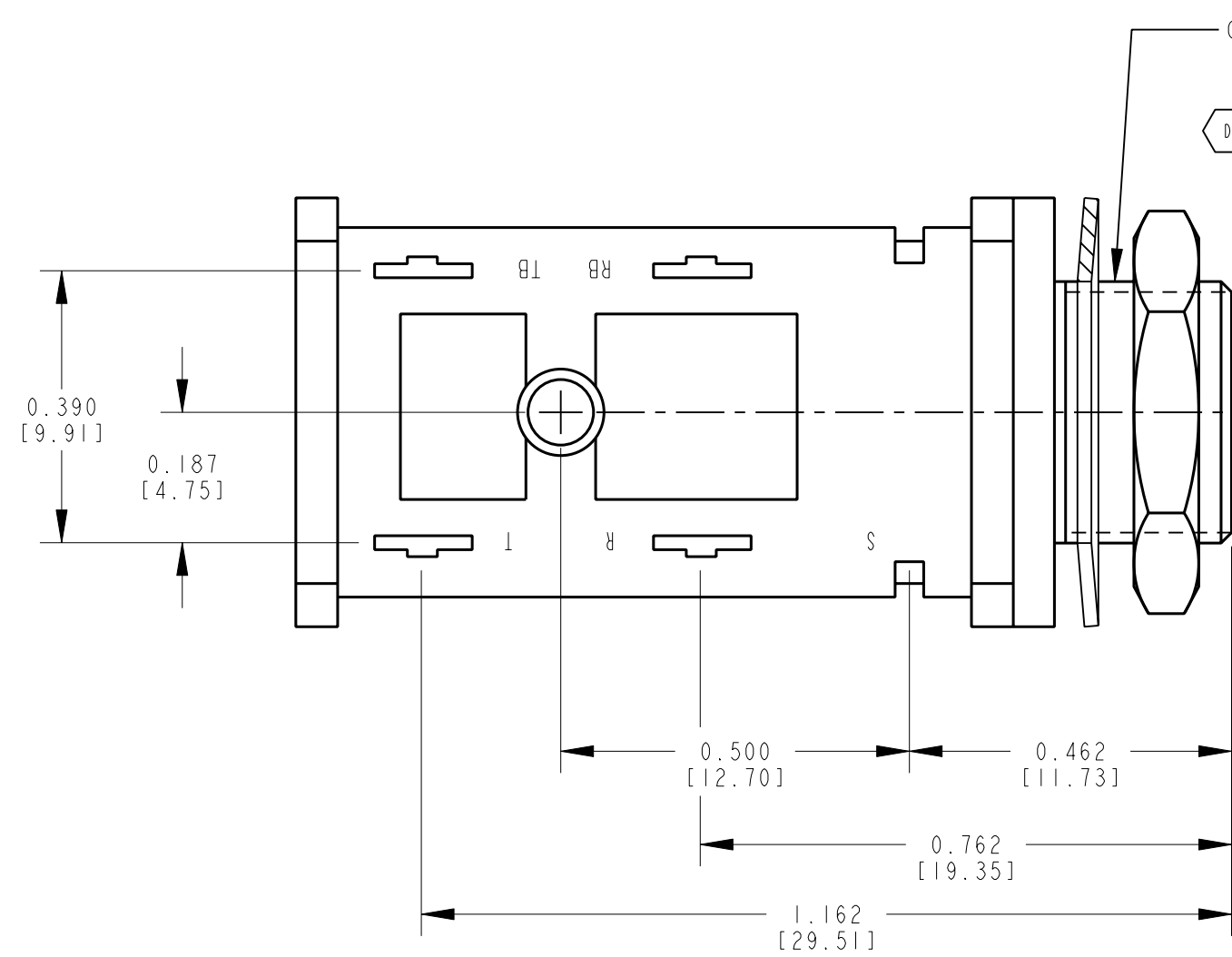


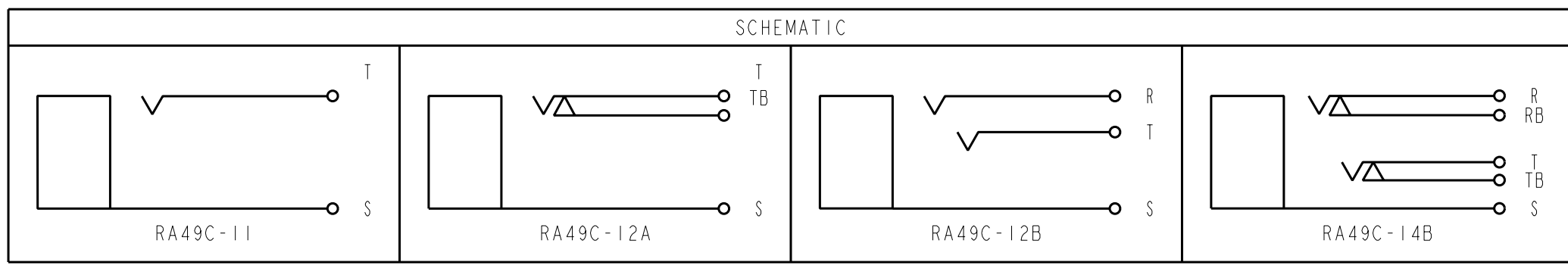
MATERIAL SPECIFICATIONS
 HOUSING: BLACK THERMOPLASTIC POLYESTER, 94V0
 CONTACT SPRINGS: TIN PLATED SPRING TEMP. NICKEL SILVER.
 HARDWARE: NICKEL PLATED BRASS.
 METAL BUSHING: NICKEL PLATED BRASS
 SLEEVE SPRING: TINNED PHOS. BRONZE.



PCB HOLE PATTERN
 COMPONENT SIDE

CUSTOMER DRAWING

CAD/CAM DWG. NO.
 s.ra49c_cd
 SHEET 1 OF 1



ECO #19930				8-17-95	DA	TAO	★ STAR SYMBOL DENOTES CRITICAL DIMENSION. SEE S/C ENGINEERING STANDARD ES-0001				THIS DRAWING DESCRIBES A DESIGN CONSIDERED PROPRIETARY IN NATURE, DEVELOPED AND MANUFACTURED BY SWITCHCRAFT INC. AND IS RELEASED ON A CONFIDENTIAL BASIS FOR IDENTIFICATION PURPOSE ONLY.										
ECO #19704				3-24-95	RC	GHJ	UNLESS OTHERWISE SPECIFIED				SIZE	WIDTH	MULT	LBS./M	TEMPER						
ECO #15763				2-16-90	LR	VL	1. ALL DIMENSIONS IN INCHES 2. DECIMAL DIMENSIONS ±.005 3. FRACTIONAL DIMENSIONS ±1/64 4. ANGLES ±1/2° 5. ALL DIA'S CONCENTRIC WITHIN .005 T.I.R. 6. REMOVE ALL BURRS 7. MAKE NO DIMENSIONAL ALLOWANCES FOR APPLIED FINISHES, I.E., PLATING, PAINTING, ETC. 8. HOLES ON THE SAME CENTERLINE MUST BE ALIGNED WITHIN ±.002				FINISH SPEC. NO.		SCALE 1 = 0.25		MATERIAL SPEC. NO.						
ECO 15105				10-12-89	TW	VL					FIRST USED ON		DATE DRAWN 4-15-88		BY RLD	CHK'D VL	APP'D AS	5-2-89		Switchcraft®	
RELEASED TO PROD				4-21-89	RLD	AS					NAME JACK ASSEMBLY (METAL BUSHING)		PART NO. RA49C-SER F		ISSUE F						
PRELIM CUST DWG				4-15-88	RLD						REVISIONS				DO NOT SCALE DRAWING						
ISSUE				CHANGE NO.	DATE	BY	APP'D														

