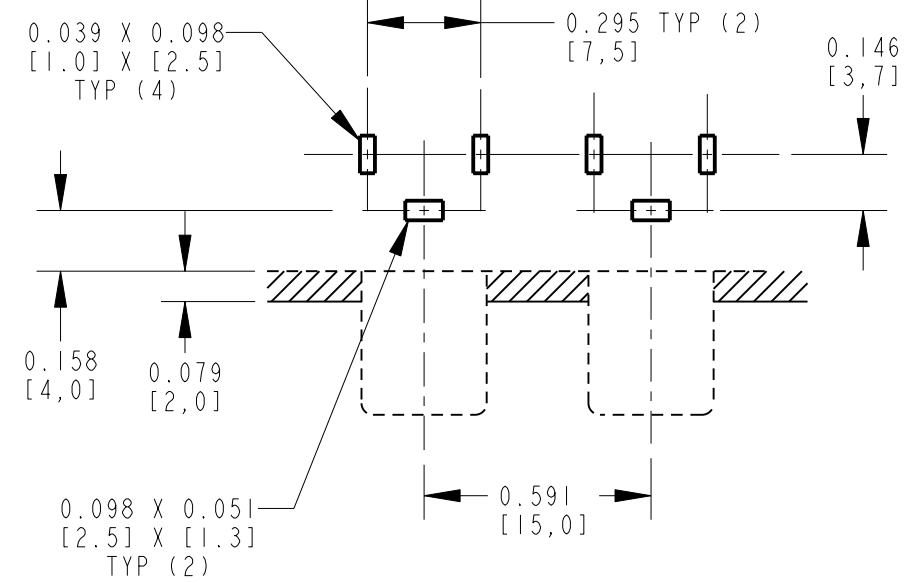


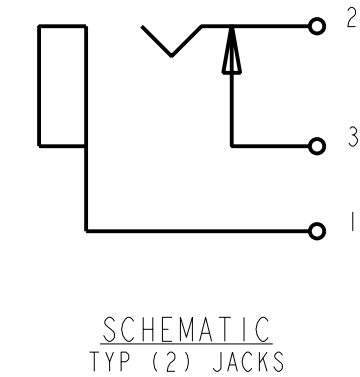
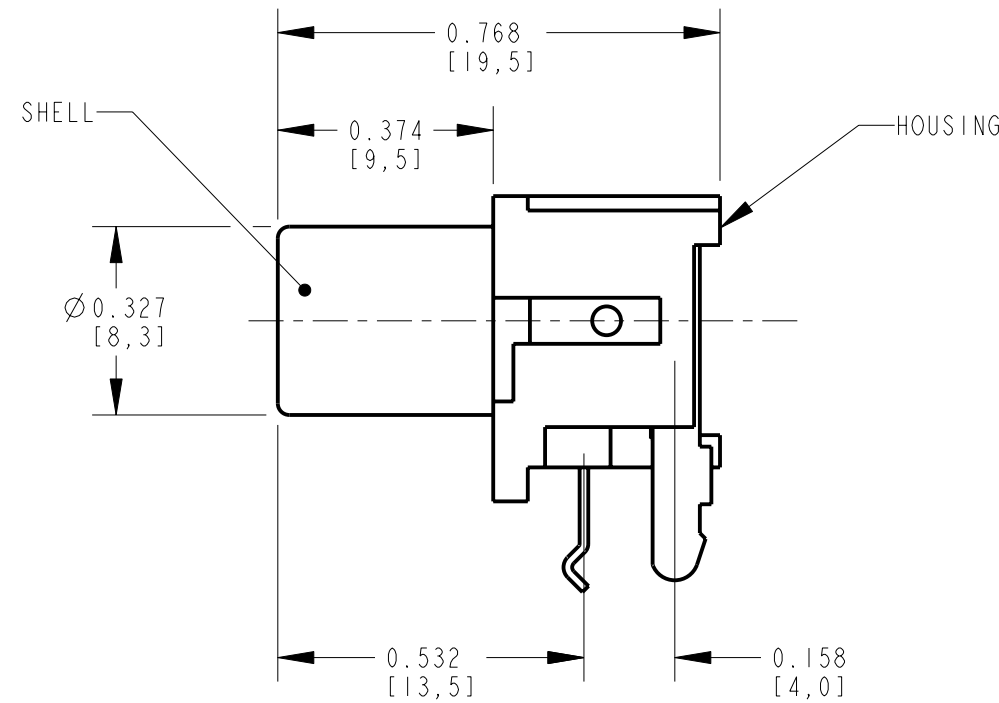
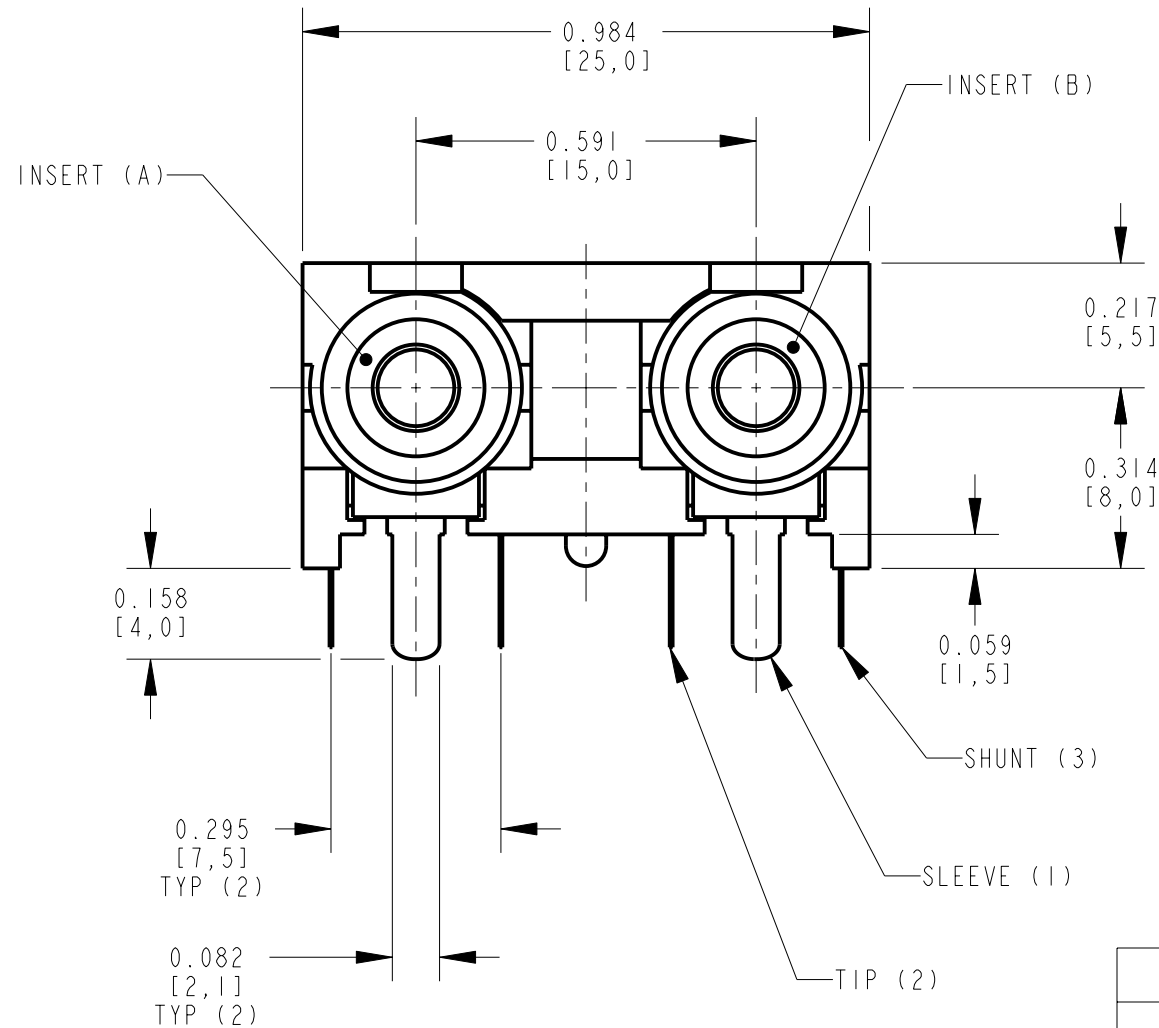
NOTES:

- ALL DIMENSIONS ARE REFERENCE.
- MATERIALS:  
HOUSING: ABS, UL-94HB  
SHELL & SLEEVE TERMINAL: COPPER ALLOY,  
NICKEL OR GOLD PLATED  
TIP & SHUNT TERMINALS: COPPER ALLOY, TIN PLATED
- THIS PART IS RoHS COMPLIANT

PART NUMBER	INSERT (A) AND HOUSING COLOR	INSERT (B) COLOR	SHELL AND SLEEVE TERMINAL FINISH
PJ-RAN2XIU01X	RED	WHITE	NICKEL PLATED
PJ-RAN2XIU01AUX	RED	WHITE	GOLD PLATED
PJ-RAN2XIU02X	WHITE	RED	NICKEL PLATED
PJ-RAN2XIU02AUX	WHITE	RED	GOLD PLATED



P.C. BOARD LAYOUT  
COMPONENT SIDE



CUSTOMER DRAWING

REV	ECO NUMBER	DATE	BY	APVD
A	25181	1-13-06	JL	TJK
REVISIONS				

★ STAR SYMBOL DENOTES CRITICAL DIMENSION

UNLESS OTHERWISE SPECIFIED

- ALL DIMENSIONS IN INCHES  
- TWO PLACE DECIMALS ±0.01  
- THREE PLACE DECIMALS ±0.005  
- ANGLES ±1°  
- ALL DIA. CONCENTRIC WITHIN 0.005 T.I.R.
- FEATURES ON THE SAME CENTERLINE MUST BE ALIGNED WITHIN ±0.002
- REMOVE ALL BURRS

DO NOT SCALE DRAWING

THIS DRAWING DESCRIBES A DESIGN CONSIDERED PROPRIETARY IN NATURE, DEVELOPED AND MANUFACTURED BY SWITCHCRAFT INC. AND IS RELEASED ON A CONFIDENTIAL BASIS FOR IDENTIFICATION PURPOSES ONLY.				
SIZE	WIDTH	MULT	LBS/M	TEMPER
FINISH		MATERIAL		
SPEC No.		SPEC No.		
FIRST USED ON		SCALE		
		2:1		
DATE DRAWN	BY	CHKD	APVD	
13-Jan-06	JL	TJK 1-13-06	TJK 1-13-06	
NAME			PART No.	
PHONO JACK, RIGHT ANGLE 2 POS, PC MOUNT, UNSHIELDED, RoHS			PJ-RAN2XIU_-X SERIES	
				REV
				A

**Switchcraft**

SHEET 1 OF 1