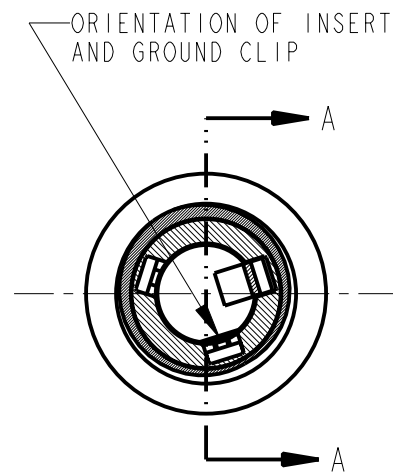
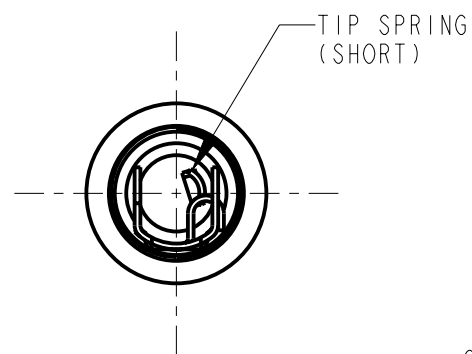


SECTION A-A  
SCALE 2:1



SECTION B-B



CUSTOMER DRAWING

NOTE:

1. SHIPPED WITH HARDWARE UNASSEMBLED.

REV	ECO NUMBER	DATE	BY	APVD
E	21962	8-23-00	JL	JF
D	19961	7-17-95	DA	JF
REVISIONS				

★ STAR SYMBOL DENOTES CRITICAL DIMENSION

UNLESS OTHERWISE SPECIFIED

- ALL DIMENSIONS IN INCHES  
- TWO PLACE DECIMALS ±0.01  
- THREE PLACE DECIMALS ±0.005  
- ANGLES ±1°  
- ALL DIA. CONCENTRIC WITHIN 0.005 T.I.R.
- FEATURES ON THE SAME CENTERLINE MUST BE ALIGNED WITHIN ±0.002
- REMOVE ALL BURRS

DO NOT SCALE DRAWING

THIS DRAWING DESCRIBES A DESIGN CONSIDERED PROPRIETARY IN NATURE, DEVELOPED AND MANUFACTURED BY SWITCHCRAFT INC. AND IS RELEASED ON A CONFIDENTIAL BASIS FOR IDENTIFICATION PURPOSES ONLY.

SIZE	WIDTH	MULT	LBS/M	TEMPER
FINISH		MATERIAL		
SPEC No.		SPEC No.		
FIRST USED ON		SCALE		
		3:2		
DATE DRAWN	BY	CHKD	APVD	
12-14-91	SG	EB	EB	
		2-7-92	2-7-92	
NAME				REV
THICK PANEL JAX				E
PART No.			SHEET   OF	
151				

**Switchcraft**