

NOTES: UNLESS OTHERWISE SPECIFIED

1. CONSTRUCTION
 BODY & FITTINGS: BRASS. TARNISH RESISTANT
 METAL ALLOY FINISH.

PIN: BRASS. GOLD PLATED.

DIELECTRIC: TEFLON.

HOUSING: MOLDED NYLON. AVAILABLE IN BLK.

BANANA PLUG: BRASS. NICKEL PLATED.

HARDWARE: STAINLESS STEEL SCREW.

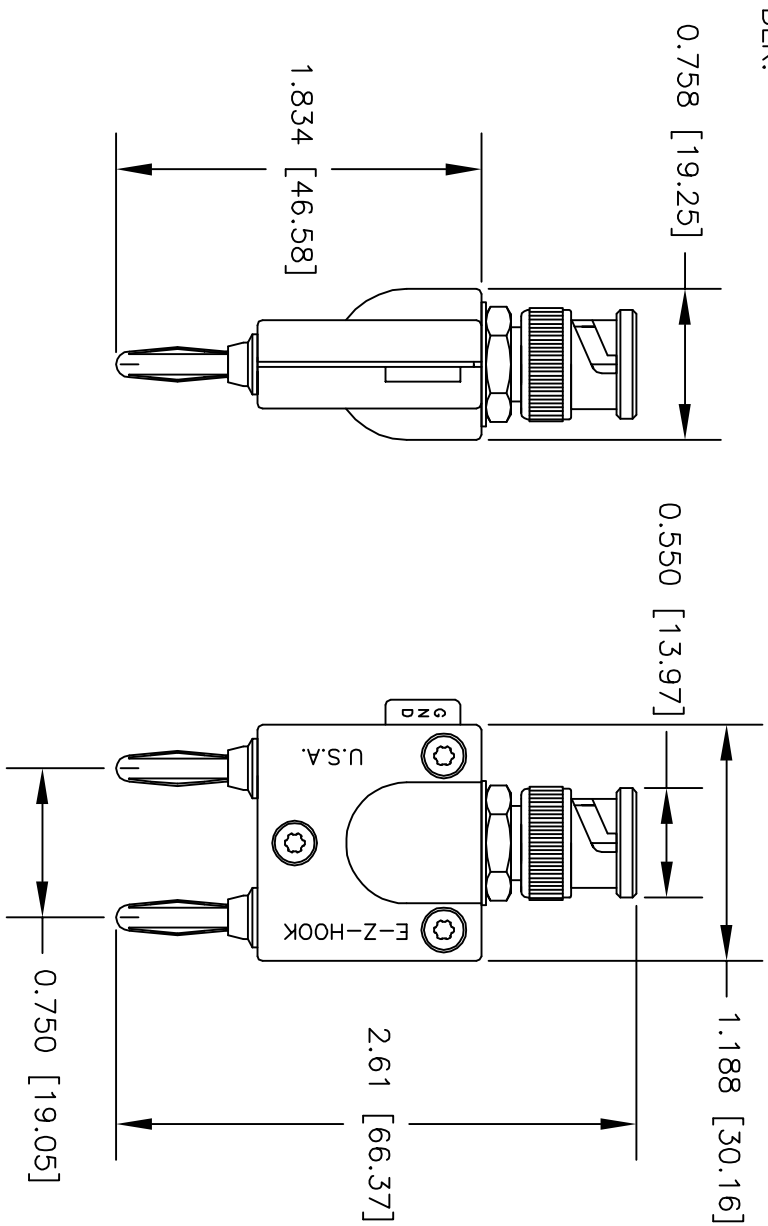
2. PERFORMANCE:

MAXIMUM CURRENT: XX

MAXIMUM VOLTAGE: 500 VRMS

MAXIMUM TEMPERATURE: 122°F (50°C)

LTR	REVISIONS	DESCRIPTION	DATE	APPROVED



UNLESS OTHERWISE SPECIFIED

DIMENSIONS ARE IN INCHES

TOLERANCES ARE:

FRACTIONS DECIMALS ANGLES

± .XX ± ±

± .XXX ± ±

MATERIAL

SEE NOTE.

FINISH

SEE NOTE.

USED ON

CONTRACT NO.	
APPROVALS	DATE
DRAWN R.L.	1/11
APPROVED BY	

E-Z-HOOK		DIVISION OF TEKTEST INC.	
		ARCADIA, CA 91006 U.S.A.	
DESCRIPTION			
BNC MALE TO STD			
DBL BAN PLUG ADAPTER			
SIZE	CODE	IDENT NO.	DRAWING NO.
A	08505	9248	
SCALE	1:1		SHEET 1 OF 1

THE INFORMATION CONTAINED IN THIS DOCUMENT IS PROPRIETARY TO E-Z-HOOK. THE INFORMATION IS NOT TO BE REPRODUCED WITHOUT PRIOR WRITTEN PERMISSION OF E-Z-HOOK. DIV. OF TEKTEST INC. MAXIMUM TESTED RATINGS IN A HANDS-FREE CONTROLLED ENVIRONMENT. MAXIMUM RATINGS ARE NOT TO BE USED CONCURRENTLY.