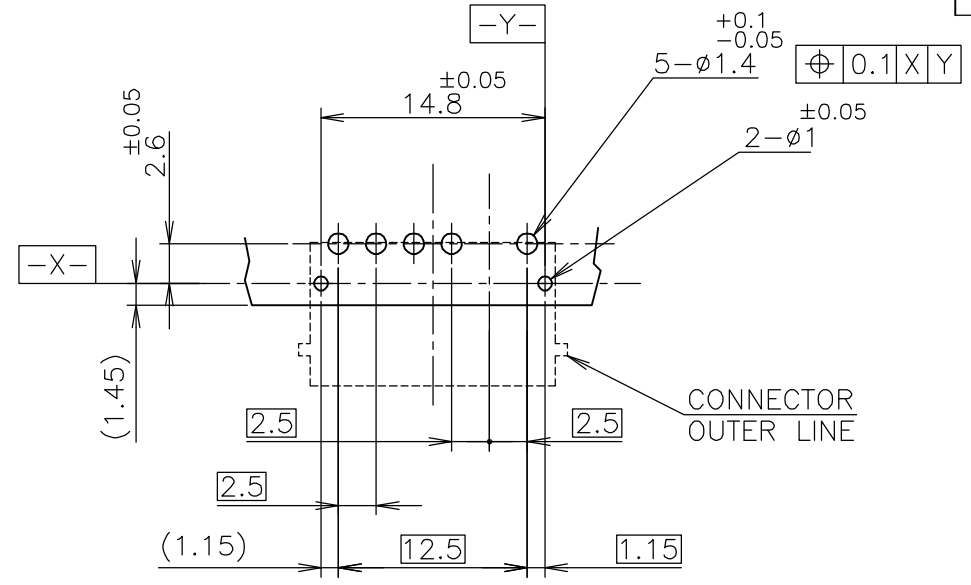
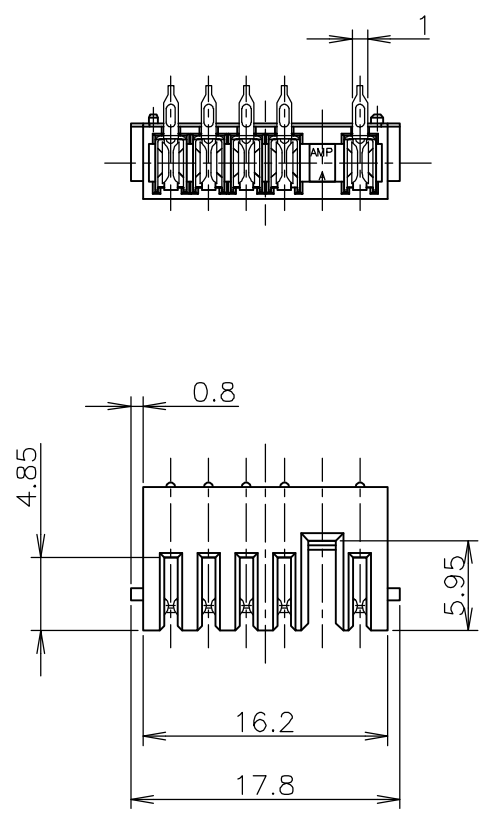


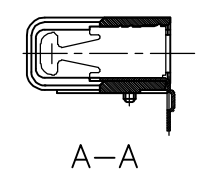
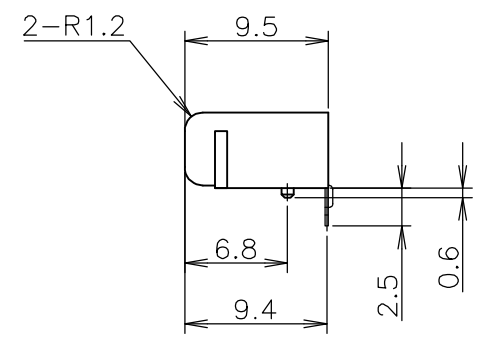
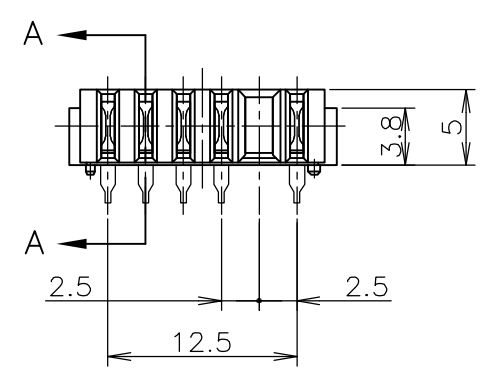
THIS DRAWING IS UNPUBLISHED. RELEASED FOR PUBLICATION OCT, 2004.
 © COPYRIGHT 2004 BY TYCO ELECTRONICS CORPORATION. ALL RIGHTS RESERVED.

LOC		DIST		REVISIONS			DATE	DWN	APVD
J		/		P	LTR	DESCRIPTION			
				A		RELEASED	08OCT04	T.K	K.I



基板取付推奨寸法
 RECOMMENDED P.C.BOARD LAYOUT
 P.C.BOARD THK 0.8~1.2
 (VIEW FROM CONNECTOR MOUNTING SIDE)

- ① 材料 ハウジング : 熱可塑性樹脂 UL94V-0
色 ; 黒
CONTACT : COPPER ALLOY
- ② 仕上げ コンタクト : Ni 下地めっき
接触部 Pb-Ni めっき
接触部 Au フラッシュめっき
半田付け部 すずめっき
- ① MATERIAL HOUSING : THERMOPLASTIC RESIN, UL94V-0
COLOR ; BLACK
CONTACT : COPPER ALLOY
- ② FINISH CONTACT : Ni ALL OVER UNDER PL
Pd-Ni PL. AT CONTACT AREA
Au FLASH PL. AT CONTACT AREA
TIN PL. AT LEAD AREA



6318430-1 :AS SHOW

THIS DRAWING IS A CONTROLLED DOCUMENT.		DWN T.KATANO	08OCT04	tyco Electronics	Tyco Electronics AMP K.K. Kawasaki, Japan	
DIMENSIONS: 単位: 耗 mm		CHK T.KIMURA	08OCT04		NAME 名称 RECEPTACLE ASSEMBLY 2.5mm PITCH 2ND BATTERY CONNECTOR	
TOLERANCES UNLESS OTHERWISE SPECIFIED: 一般公差		APVD K.IKEGAMI	08OCT04	PRODUCT SPEC 製品規格 108-5652		
0 PLC ± - 1 PLC ± - 2 PLC ± - 3 PLC ± - 4 PLC ± - ANGLES ± -		APPLICATION SPEC 取付適用規格		SIZE	CAGE CODE	DRAWING NO 番号
GENERAL TOLERANCE 一般公差 10 ≥ : ±0.2 30 ≥ > 10 : ±0.25 100 ≥ > 30 : ±0.3 ANGLES: ±3°		MATERIAL 材料		A3	00779	G-6318430
FINISH 仕上		WEIGHT		RESTRICTED TO		
①		②		CUSTOMER DRAWING		
				SCALE 尺度	SHEET 1 OF 1	REV A