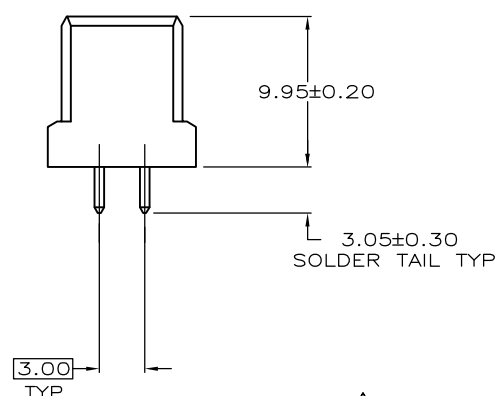
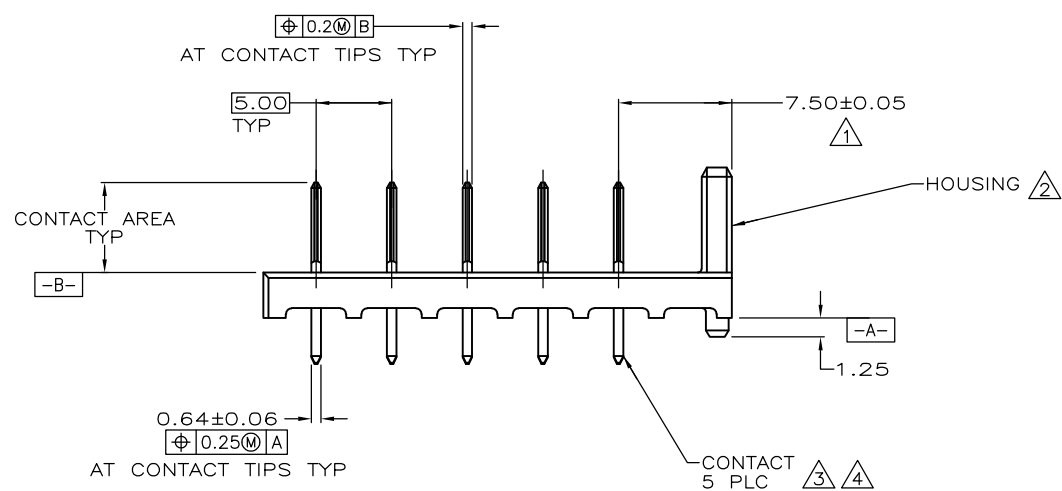
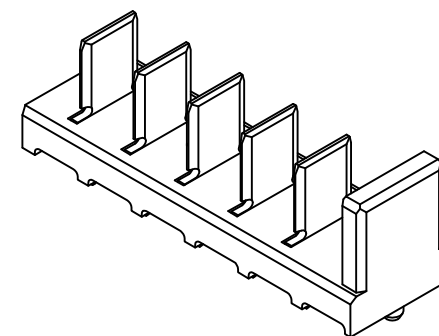
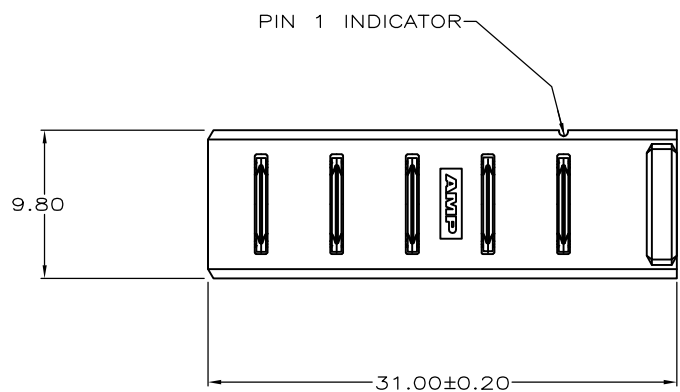


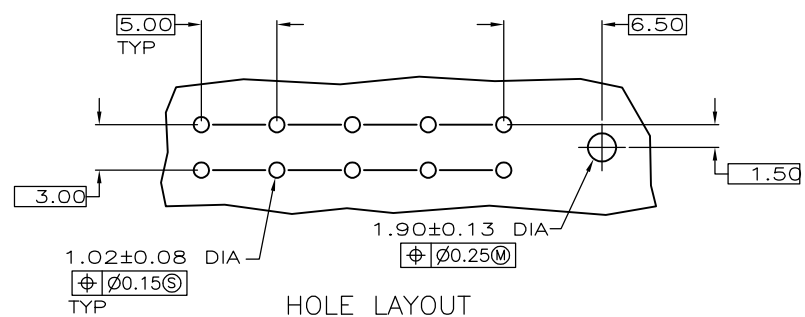
THIS DRAWING IS UNPUBLISHED. RELEASED FOR PUBLICATION

© COPYRIGHT - By - ALL RIGHTS RESERVED.

LOC ES	DIST 00	REVISIONS			
P	LTR	DESCRIPTION	DATE	DWN	APVD
	A1	REVISED PER ECO-11-005033	29MAR11	RK	HMR



- ① COORDINATE DIMENSION APPLIES FROM CENTER OF ACTUAL FEATURE.
- ② HOUSING: POLYPHTHALAMIDE, COLOR BLACK.
- ③ CONTACTS: BRASS
- ④ 2.54um MIN TIN ON SOLDER TAIL OVER 1.90um MIN NICKEL ALL OVER.



5787430-1  
PART NO

THIS DRAWING IS A CONTROLLED DOCUMENT.		DWN S.KLINE	03/09/95	<b>STE</b> TE Connectivity	
DIMENSIONS: mm		CHK S.KLINE	03-15-95		
TOLERANCES UNLESS OTHERWISE SPECIFIED:		APVD S.KLINE	03-15-95	NAME	
0 PLC ± -		PRODUCT SPEC		HEADER ASSEMBLY, VERTICAL,	
1 PLC ± -		108-1501		5mm $\phi$ , 5 POSN, SINGLE KEY, STRAIGHT	
2 PLC ± 0.13		APPLICATION SPEC		SOLDER TAIL, 12V, BATTERY INTERCONNECT	
3 PLC ± -		114-24005		SIZE	CAGE CODE
4 PLC ± -		WEIGHT		DRAWING NO	
ANGLES ± -		-		A3 00779 C-5787430	
FINISH		CUSTOMER DRAWING		RESTRICTED TO	-
② ③		SCALE 3:1		SHEET 1 OF 1	REV A1