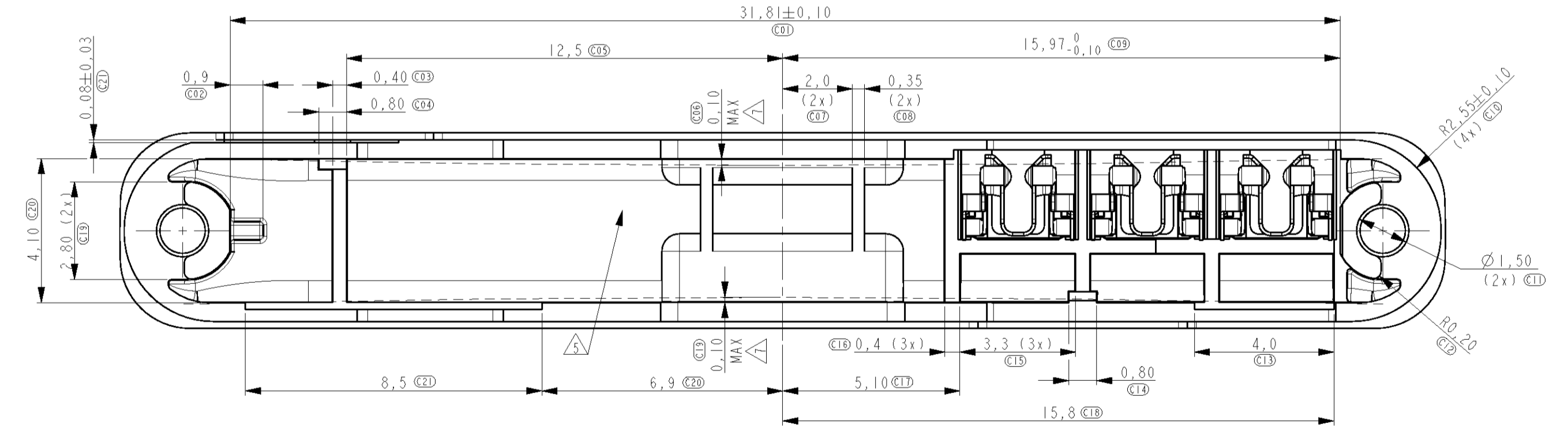
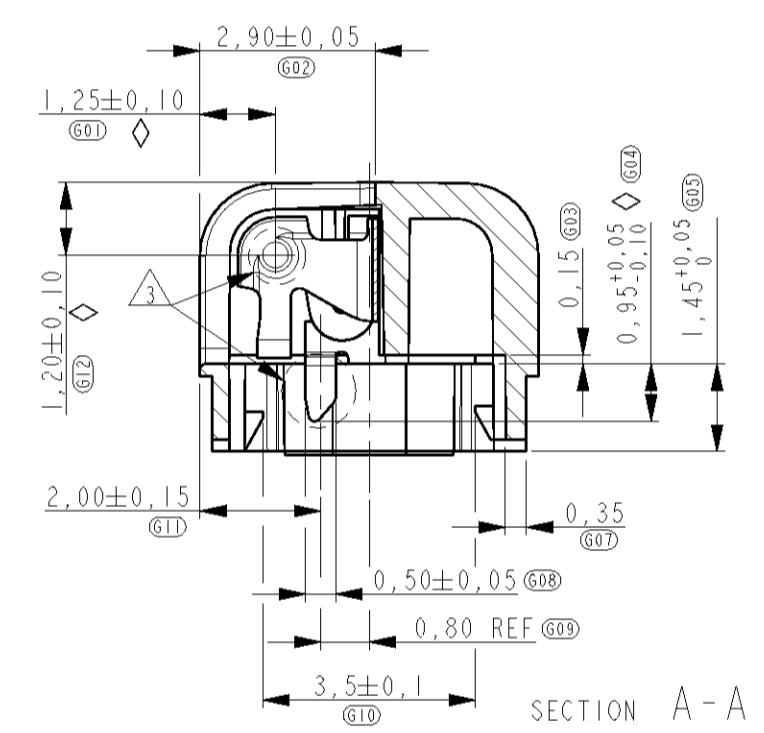
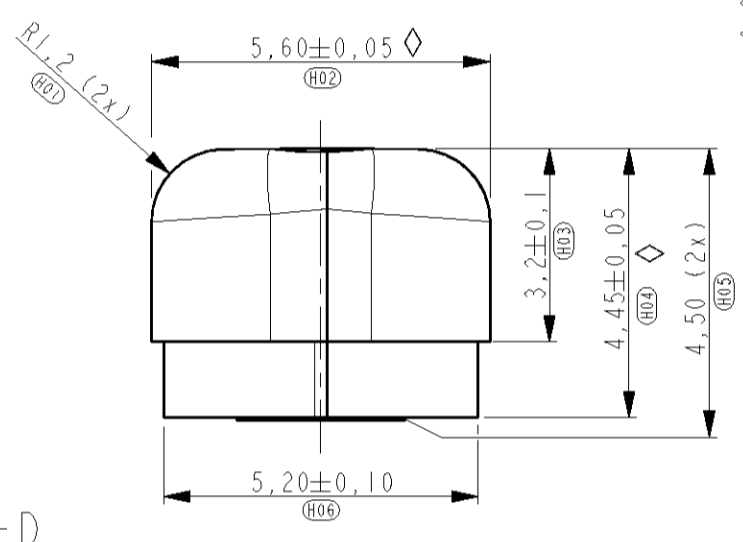
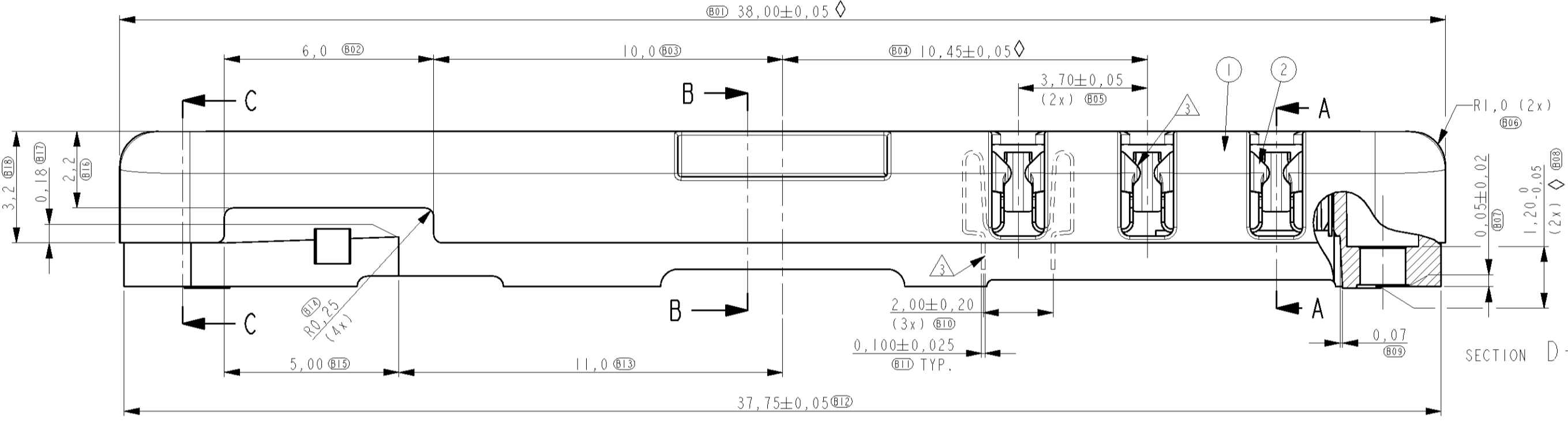
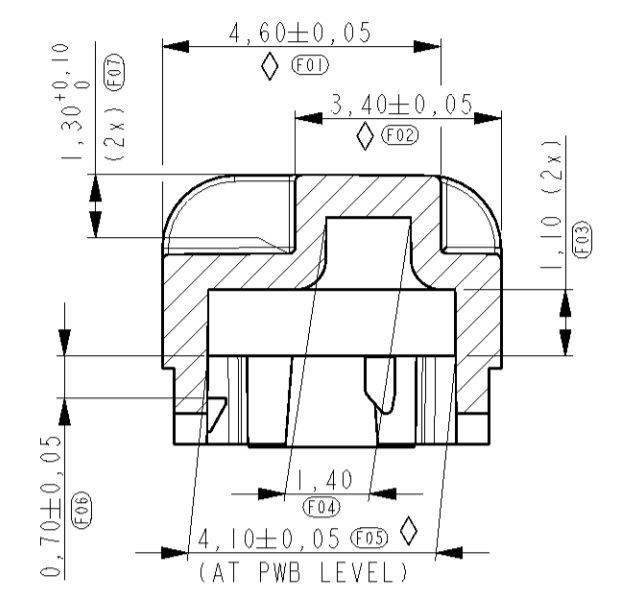
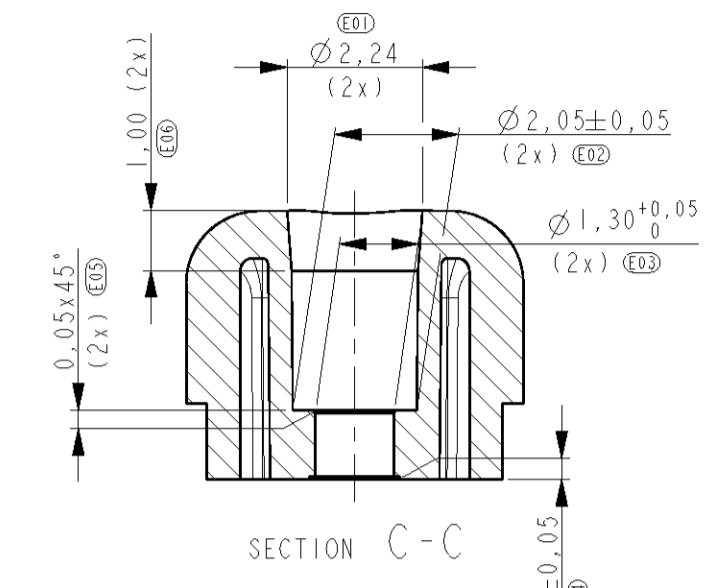
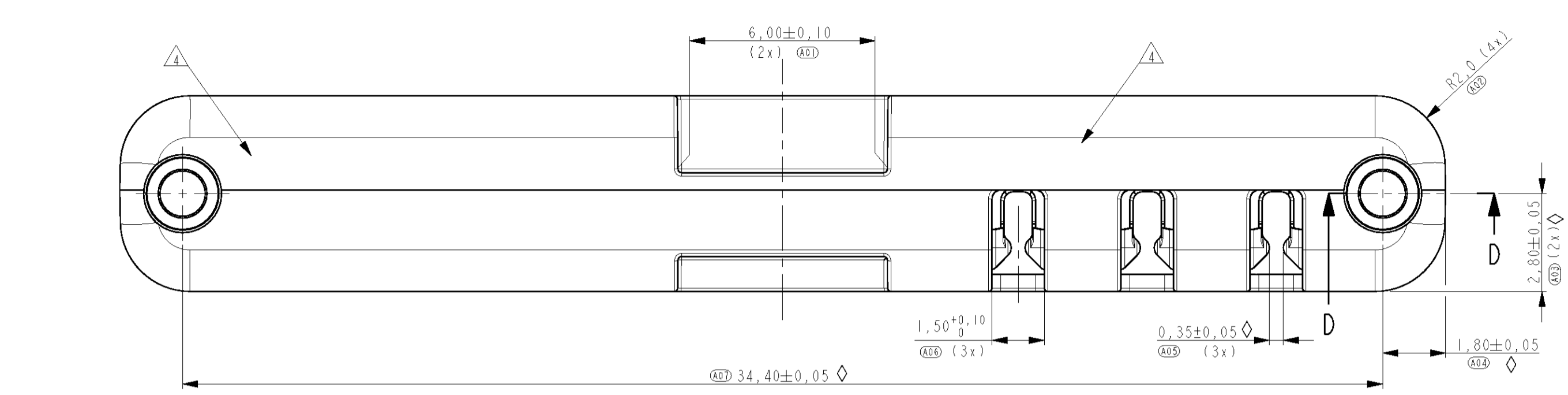


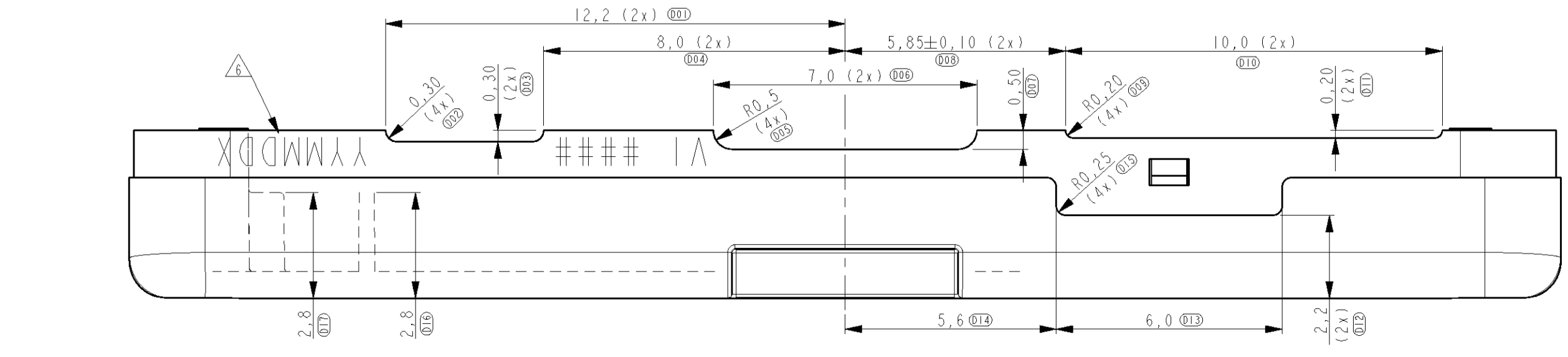
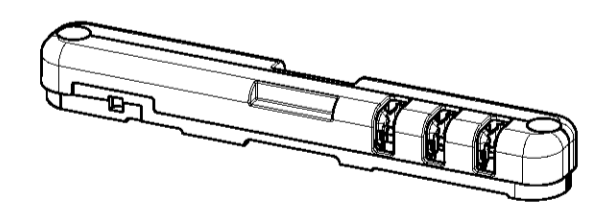
THIS DRAWING IS UNPUBLISHED. RELEASED FOR PUBLICATION  
 © COPYRIGHT - BY - ALL RIGHTS RESERVED.

LOC	DIST	REVISIONS					
H	-	P	LTR	DESCRIPTION	DATE	DWN	APVD
		1		FIRST ISSUE	17MAR2011	PW	DH
		2		DIM A03, B08, C09 CHANGE	21MAR2011	PW	DH
		A		ECR-11-012453	24JUN2011	p.w	dh



NOTES:

- PART NUMBER 2173070-1.
- DRAWING REPRESENTS PART VERSION "VI".
- PLATING:
  - 1.2µm MIN. NICKEL ALL OVER
  - 0.8µm MIN. GOLD ON CONTACT POINTS
  - 3.0µm MIN. TIN ON SOLDER AREA
- SURFACE TEXTURE Ra 1.9µm (TOOL TEXTURE SPARK ERODED ACCORDING TO VDI 3400-24/27) COLOUR: BLACK (PANTONE 302X).
- MARKING: MOLD CAVITY IDENTIFICATION.
- MARKING: VERSION (VI), PROCESS ID (####), PRODUCTION DATE (YYMMDDX). MARKING NOT IN COSMETIC AREA.
- MAXIMUM WARPAGE, INWARD ONLY.



2	CONTACT	COPPER ALLOY	GOLD PLATED
1	HOUSING	PPA, 35% GF	
ITEM NO.	DESCRIPTION	MATERIAL	FINISH

THIS DRAWING IS A CONTROLLED DOCUMENT.		DWN	17-MAR-11
DIMENSIONS: mm		CHK	17-MAR-11
TOLERANCES UNLESS OTHERWISE SPECIFIED:		APVD	17-MAR-11
0 PLC	±0.2	NAME	
1 PLC	±0.1	PRODUCT SPEC	108-19276
2 PLC	±0.05	APPLICATION SPEC	114-19088
3 PLC	±	WEIGHT	553 mg
4 PLC	±	CUSTOMER DRAWING	
ANGLES	±		
FINISH	±		

		TE Connectivity	
		RECEPTACLE CONNECTOR 3 POSITION, BL-5J-1430 BATTERY BLOCK	
SIZE	CAGE CODE	DRAWING NO	RESTRICTED TO
A2	00779	C-2173070	-
SCALE 8:1		SHEET	OF
		REV	A