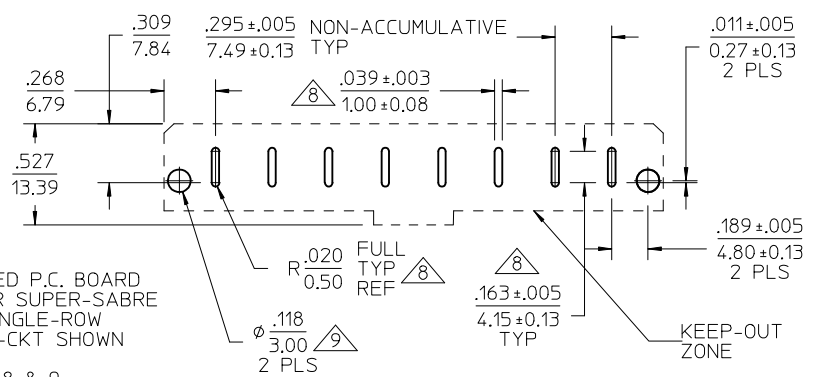
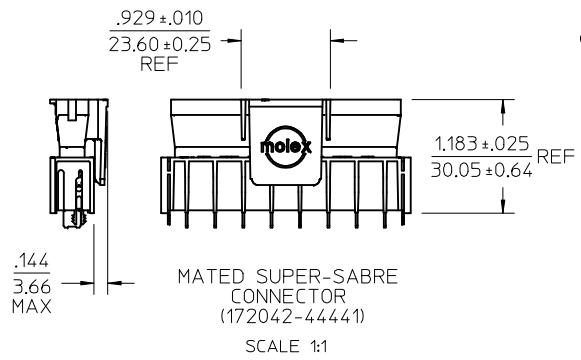
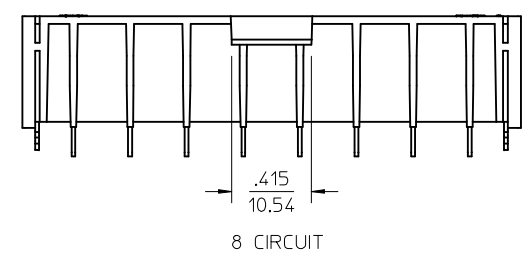
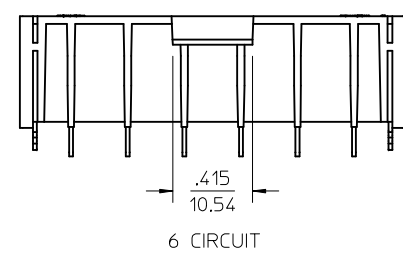
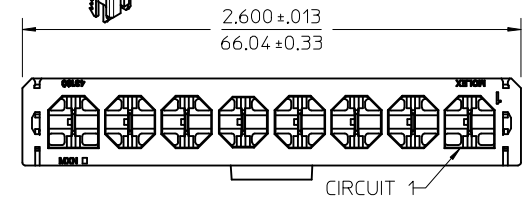
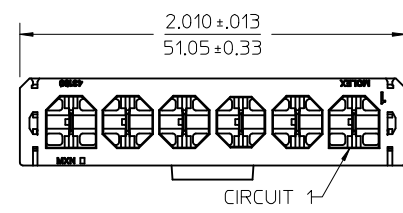
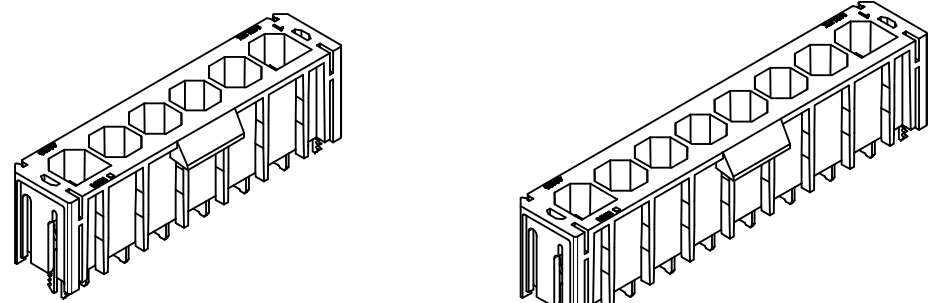


- NOTES:
1. MATERIALS  
HOUSING: GLASS-FILLED, LIQUID CRYSTAL POLYMER (LCP), UL94V-0, LOW-HALOGEN, GLOW-WIRE CAPABLE, COLOR: BLACK  
TERMINALS: ETP COPPER
  2. FINISHES:  
.000100/.00254 MIN SELECT SILVER AND .000100/.00254 MIN SELECT MATTE TIN OVER NICKEL OVERALL
  3. PRODUCT SPECIFICATION:  
PS-171825-001
  4. PACKAGING INFORMATION:  
PK-43789-001 (TRAY PACK)
  5. MATES WITH:  
171825 FEMALE CRIMP TERMINALS  
172672 RECEPTACLE HOUSINGS
  6. THIS PART CONFORMS TO CLASS B REQUIREMENTS OF COSMETIC SPEC PS-45499-002.
  7. HEADERS INDICATED AS "FINGER-PROOF" ARE DESIGNED TO MINIMIZE ACCESSIBILITY TO LIVE PARTS, PER UL 1977 AND UL 60950 FINGER PROBE REQUIREMENTS.
  8. SLOTTED VIAS, PLATED-THRU. MOLEX RECOMMENDS ANNULAR RING DESIGN PARAMETERS AS SPECIFIED IN IPC-2221, GENERIC STANDARD ON PRINTED BOARD DESIGN.
  9. .118/3.00 MOUNTING-HOLES (NON-PLATED) FOR OPTIONAL BOARD-LOCKS SHOWN.

REMOVE PARTS EC NO: UCP2016-3531 DRWN: BANDURA 2016/03/09 CHKD: BANDURA 2016/03/09 APPR: FSMITH 2016/04/29	DESCRIPTION REV	QUALITY SYMBOLS ▽=0 ▽=0 ▽=0	GENERAL TOLERANCES (UNLESS SPECIFIED)		DIMENSION STYLE IN/MM	SCALE 2:1	DESIGN UNITS INCH	THIRD ANGLE PROJECTION	
			mm	INCH	DRAWN BY BANDERSON	DATE 2013/06/21	SUPER-SABRE VERTICAL HEADER ASSY SINGLE-ROW <b>molex</b>		
			4 PLACES ± --- ± ---	3 PLACES ± --- ± .005	CHECKED BY	DATE			
			2 PLACES ± 0.13 ± .010	1 PLACE ± 0.25 ± ---	APPROVED BY FSMITH	DATE 2013/12/06	MATERIAL NO. SEE CHART	DOCUMENT NO. SD-172042-001	SHEET NO. 1 OF 2
DRAFT WHERE APPLICABLE MUST REMAIN WITHIN DIMENSIONS			ANGULAR ±1/2°	SIZE	THIS DRAWING CONTAINS INFORMATION THAT IS PROPRIETARY TO MOLEX INCORPORATED AND SHOULD NOT BE USED WITHOUT WRITTEN PERMISSION				

MATERIAL NUMBER*	CIRCUIT SIZE	SOLDER-TAIL	FINGER-PROOF	BOARD-LOCK
1720420201	2	SHORT	YES	NO
1720420202	2	SHORT	YES	YES
1720420205	2	LONG	YES	NO
1720420206	2	LONG	YES	YES
1720420301	3	SHORT	YES	NO
1720420302	3	SHORT	YES	YES
1720420305	3	LONG	YES	NO
1720420306	3	LONG	YES	YES
1720420401	4	SHORT	YES	NO
1720420402	4	SHORT	YES	YES
1720420405	4	LONG	YES	NO
1720420406	4	LONG	YES	YES
1720420501	5	SHORT	YES	NO
1720420502	5	SHORT	YES	YES
1720420505	5	LONG	YES	NO
1720420506	5	LONG	YES	YES
1720420601	6	SHORT	YES	NO
1720420602	6	SHORT	YES	YES
1720420605	6	LONG	YES	NO
1720420606	6	LONG	YES	YES
1720420801	8	SHORT	YES	NO
1720420802	8	SHORT	YES	YES
1720420805	8	LONG	YES	NO
1720420806	8	LONG	YES	YES

SOLDER-TAIL	DIM. "A" ±.020/0.51
SHORT	.150/3.81
LONG	.210/5.33
FINGER-PROOF	
YES	DIM. "B" (REF) .129/3.26



SEE NOTES 8 & 9

<b>SEE SHEET 1</b> EC NO: UCP2016-3531 DRWN: BANDURA 2016/03/09 CHKD: BANDURA 2016/03/09 APPR: FSMITH 2016/04/29	QUALITY SYMBOLS ▽=0 ▽=0 ▽=0	GENERAL TOLERANCES (UNLESS SPECIFIED)		DIMENSION STYLE <b>IN/MM</b>		SCALE <b>2:1</b>	DESIGN UNITS <b>INCH</b>	THIRD ANGLE PROJECTION		
		4 PLACES ± --- ± ---	3 PLACES ± --- ±.005	2 PLACES ±.013 ±.010	1 PLACE ±.025 ± ---	0 PLACE ± --- ± ---	DRAWN BY BANDERSON	DATE 2013/06/21	<b>SUPER-SABRE VERTICAL HEADER ASSY SINGLE-ROW</b> 	
		ANGULAR ±1/2°					CHECKED BY DATE	APPROVED BY FSMITH		DATE 2013/12/06
		DRAFT WHERE APPLICABLE MUST REMAIN WITHIN DIMENSIONS					MATERIAL NO. <b>SEE CHART</b>	DOCUMENT NO. <b>SD-172042-001</b>		SHEET NO. <b>2 OF 2</b>
THIS DRAWING CONTAINS INFORMATION THAT IS PROPRIETARY TO MOLEX INCORPORATED AND SHOULD NOT BE USED WITHOUT WRITTEN PERMISSION										