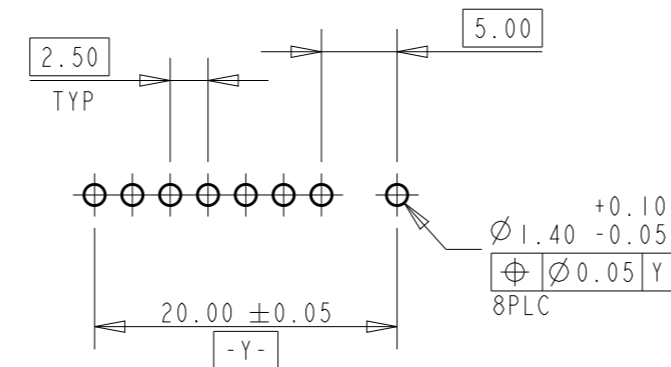
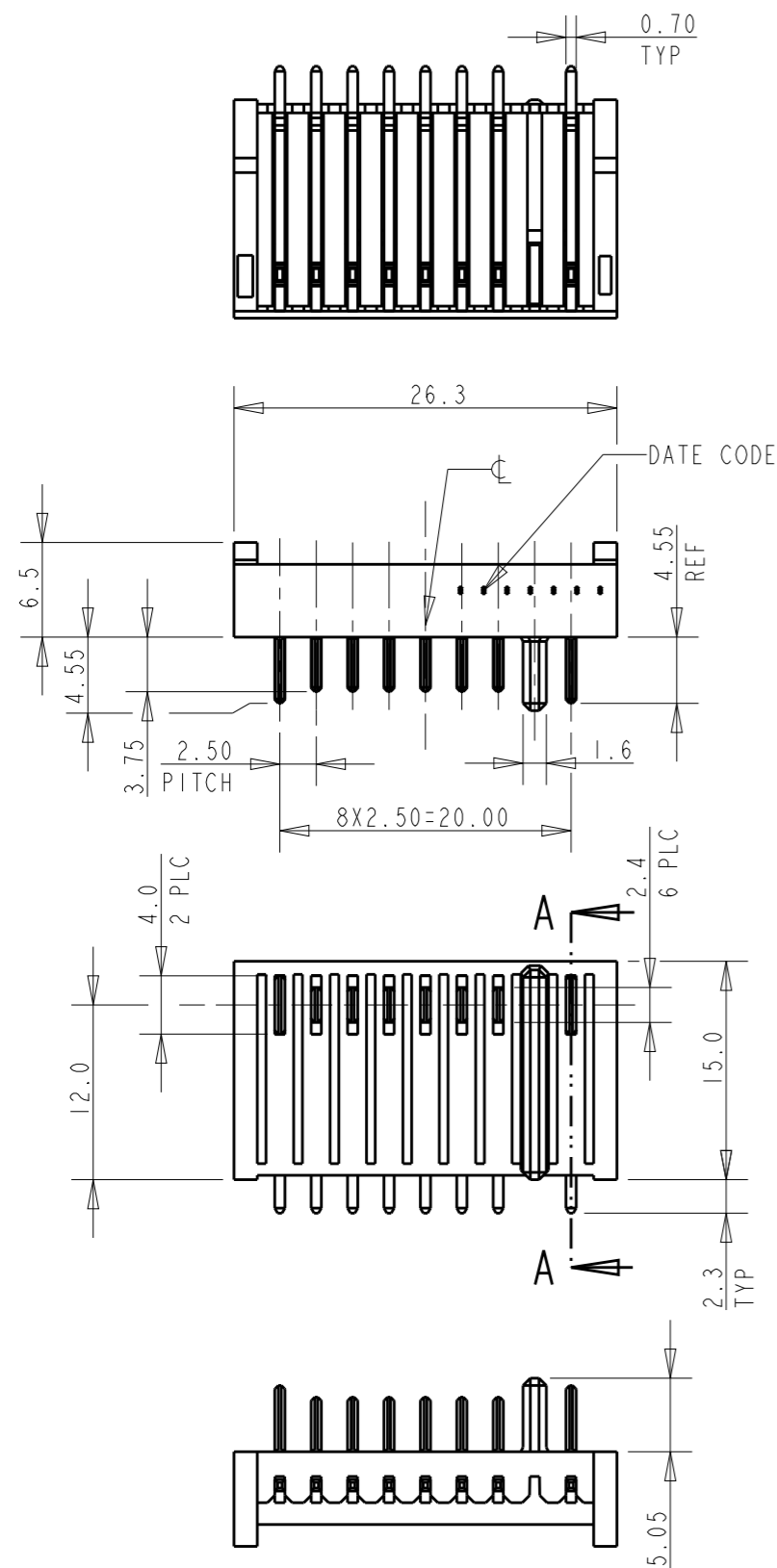
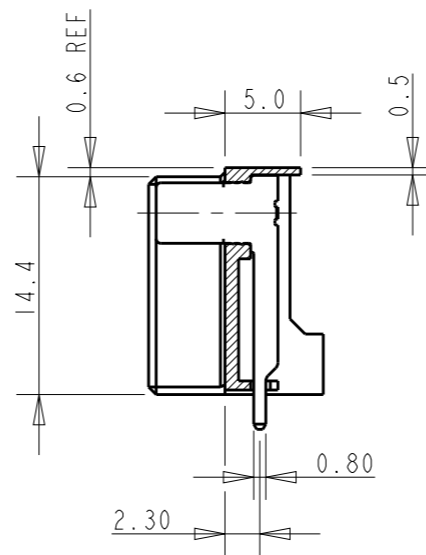


LOC	DIST	REVISIONS			
P	LTR	DESCRIPTION	DATE	DWN	APVD
ES	00	A	RELEASED PER ECR-08-016543	03JUL2008	TY SY
		A1	RELEASED PER ECR-09-002836	12FEB2009	S.W S.Y
		A2	RELEASED PER ECR-09-005272	2MAR2009	S.W S.Y
		B	REVISED TO ADD *-3	24SEP2013	E.L WK.H

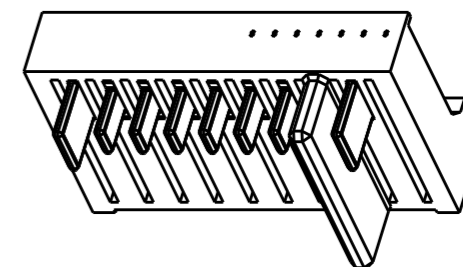


REFERENCE P.C.BOARD LAYOUT
 P.C.BOARD THK 0.8-1.2
 (VIEW FROM CONNECTOR MOUNTING SIDE)

PART NUMBER: -1/-2/-3 AS SHOWN



SECTION A-A



- 1 MATERIAL
 HOUSING: THERMOPLASTIC RESIN, BLACK, UL94V-0
 CONTACT: COPPER ALLOY
- 2 FINISH
 CONTACT: Ni ALL OVER UNDER PLATING.
 GOLD PLATING AT CONTACT AREA.
 GOLD FLASH PLATING AT SOLDER AREA.

2.7	9.6	10.2	7.2	1932123-3
2.7	9.6	10.2	7.2	1932123-2
3.5	14.4	15	12	1932123-1
NET WEIGHT	DIM.N	DIM.M	DIM.L	PART NUMBER

DIMENSIONS:		TOLERANCES UNLESS OTHERWISE SPECIFIED:		Tyco Electronics	
mm		0 PLC	±0.25	Shanghai P.R.CHINA 200233	
		1 PLC	±0.10	NAME	
		2 PLC	±0.10	PLUG ASSEMBLY	
		3 PLC	±0.10	2.5mm PITCH BATTERY CONNECTOR	
		4 PLC	±0.10	CENTER HEIGHT=12.0mm	
		ANGLES	±3°	SIZE	RESTRICTED TO
MATERIAL		FINISH		A3	-
				00779	
				1932123	
				SCALE	SHEET
				2:1	1 OF 1
					REV B