

4

3

2

1

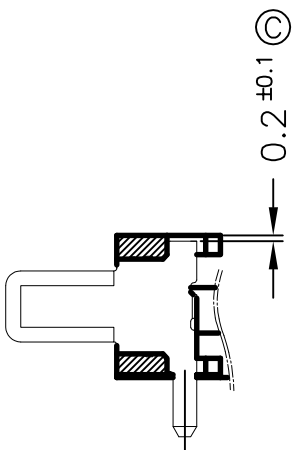
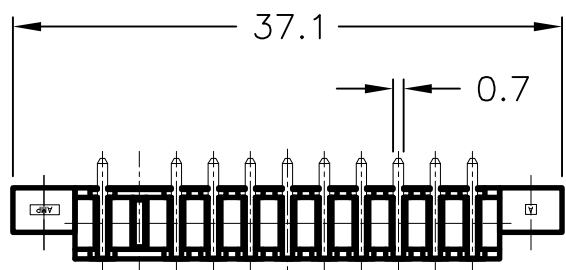
THIS DRAWING IS UNPUBLISHED. RELEASED FOR PUBLICATION

© COPYRIGHT BY TYCO ELECTRONICS CORPORATION. ALL RIGHTS RESERVED.

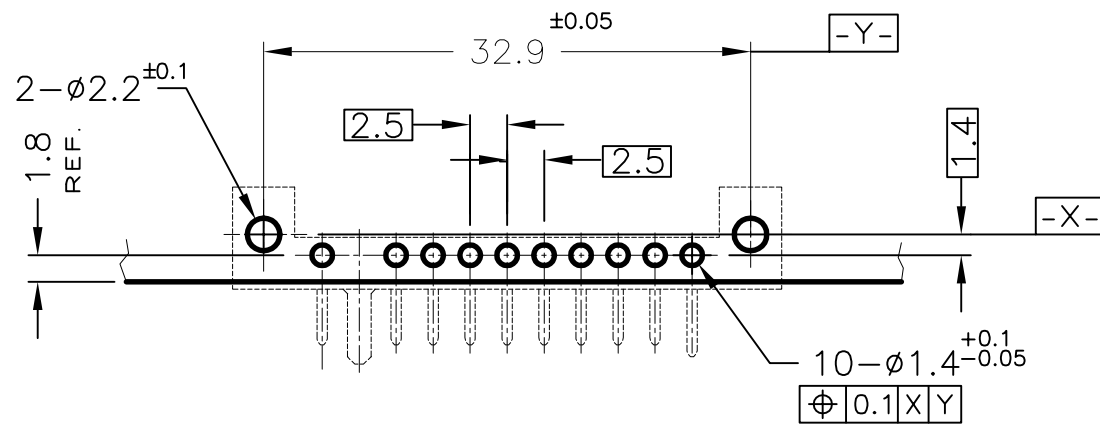
LOC	DIST	REVISIONS						
		P	LTR	DESCRIPTION	DATE	DWN	APVD	
ES			O	RELEASED	FJB0-1037-03	02DEC03	T.K	K.I
			B	REVISED	FJB0-0196-04	17MAR04	R.T	K.I
			E	REVISED PER ECR-10-011717		30MAY2010	S.W	S.Y

D

D



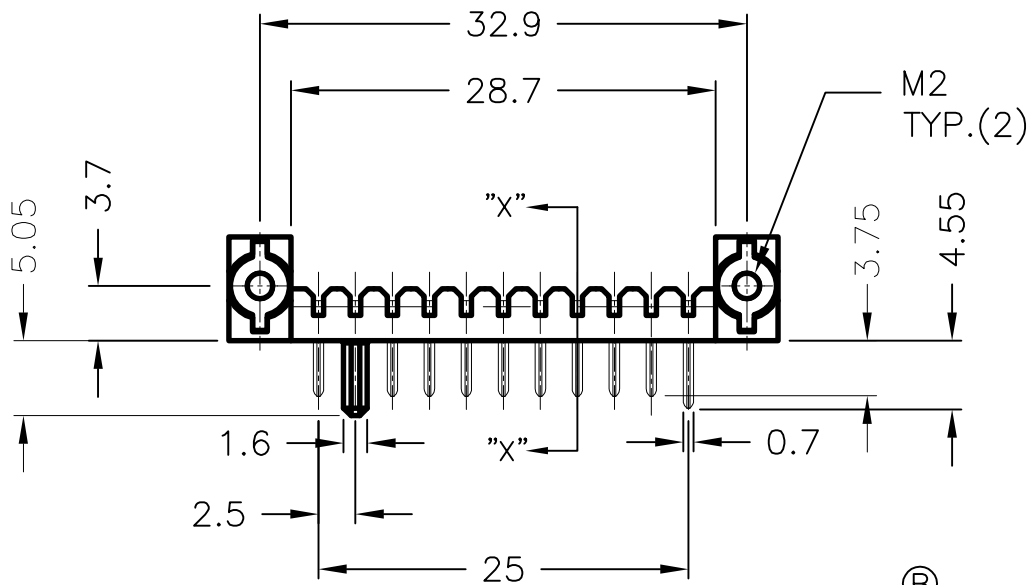
1746092-1 : AS SHOWN



REFERENCE P.C. BOARD LAYOUT
P.C. BOARD THK 0.8~1.2
(VIEW FROM CONNECTOR MOUNTING SIDE)

C

C

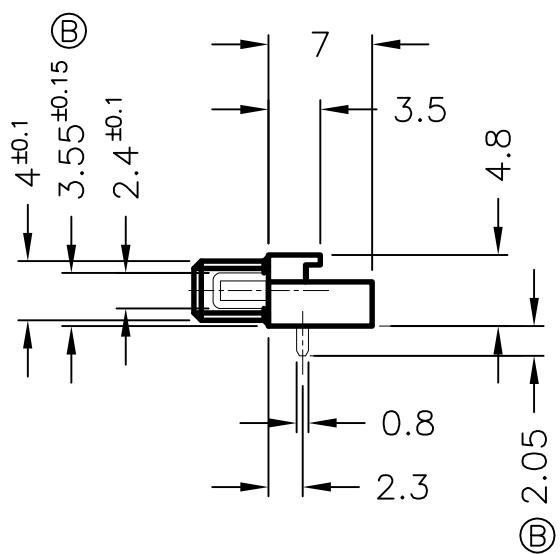
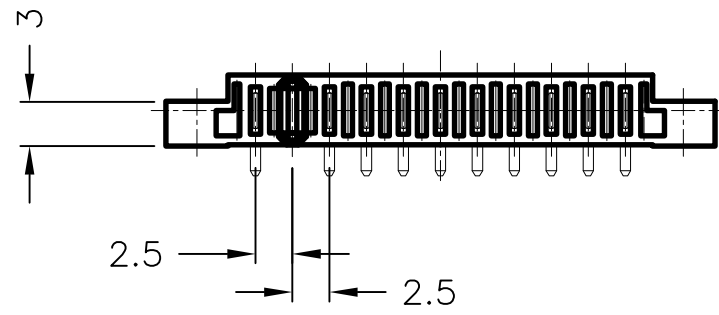


SECTION X-X
SCALE 4:1

- ① MATERIAL HOUSING : LCP, UL94V-0
COLOR ; BLACK
CONTACT : COPPER ALLOY
NUT PLATE : STAINLESS STEEL
- ② FINISH CONTACT : Ni 2μm MIN. ALL OVER UNDER PL
Au PL. 0.3μm MIN. AT CONTACT AREA
Au FLUSH PL. 0.05~0.15μm AT LEAD AREA

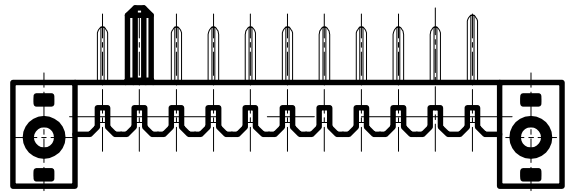
B

B



A

A



THIS DRAWING IS A CONTROLLED DOCUMENT.		DWN T.KATANO 02DEC03	Tyco Electronics Shanghai, P.R.China, 200233	
DIMENSIONS: MM		CHK T.KIMURA 02DEC03	NAME PLUG ASSY REVERSE TYPE 2.5mm PITCH BATTERY CONNECTOR (10POS.)	
TOLERANCES UNLESS OTHERWISE SPECIFIED: ∅-PLC ± 0.15 1-PLC ± 2-PLC ± 3-PLC ± 4-PLC ± ANGLES ± 3'		APVD K.IKEGAMI 02DEC03	PRODUCT SPEC 108-5775	
MATERIAL		APPLICATION SPEC		RESTRICTED TO
FINISH		WEIGHT	SIZE A3	CAGE CODE 00779
		DRAWING NO C=1746092		REV E
		CUSTOMER DRAWING		SCALE 2:1 SHEET 1 OF 1