

4

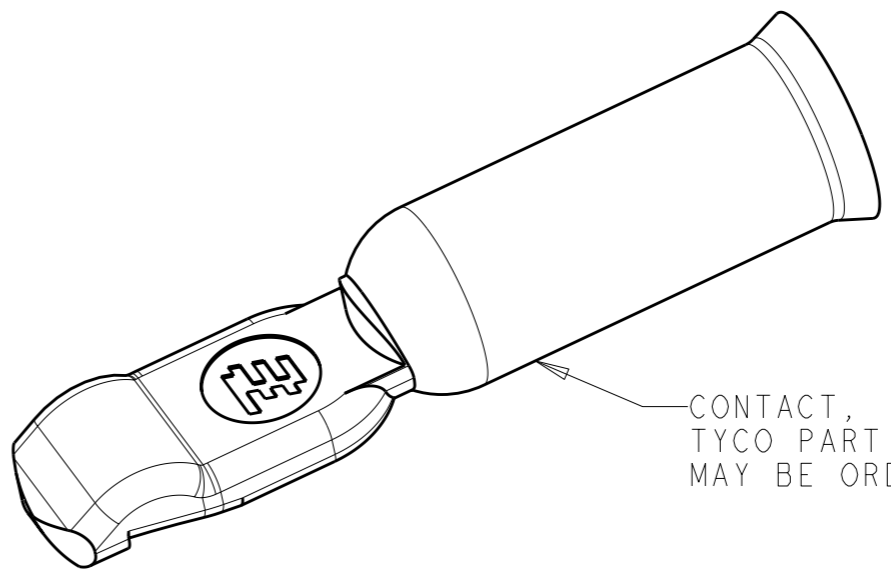
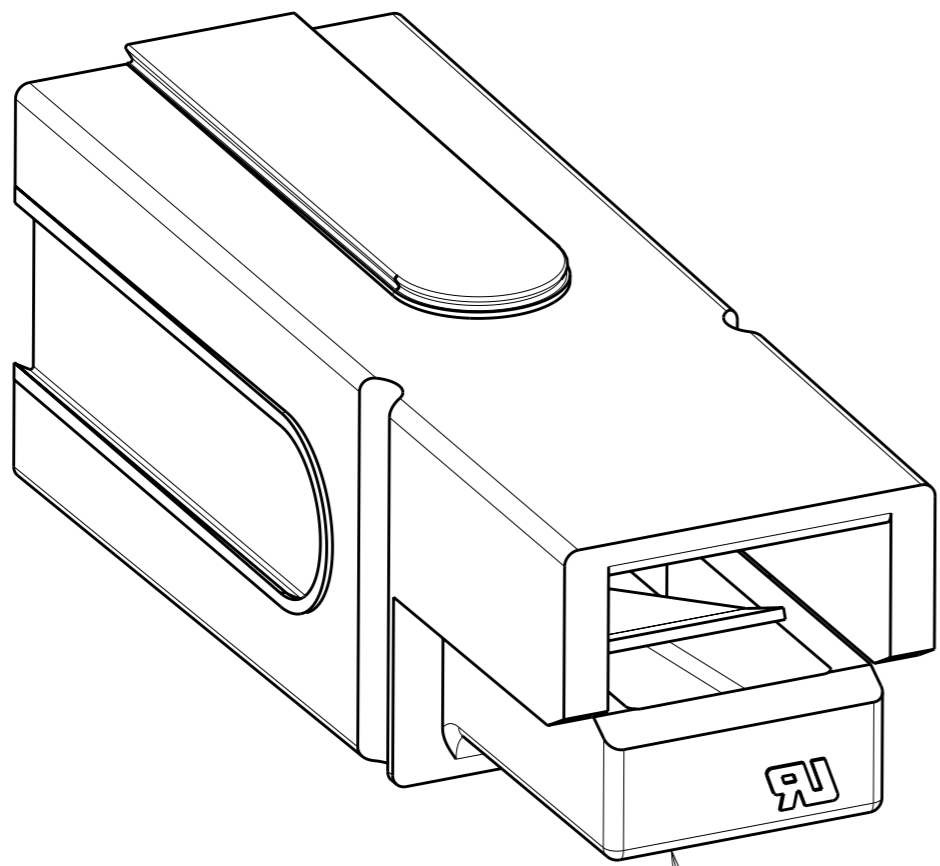
3

2

1

THIS DRAWING IS UNPUBLISHED. RELEASED FOR PUBLICATION 20
 © COPYRIGHT 20 BY TYCO ELECTRONICS CORPORATION. ALL RIGHTS RESERVED.

LOC	DIST	REVISIONS			
P	LTR	DESCRIPTION	DATE	DWN	APVD
CM	0	01	REVISED PER ECR-10-010379	24MAY2010	HMR JR

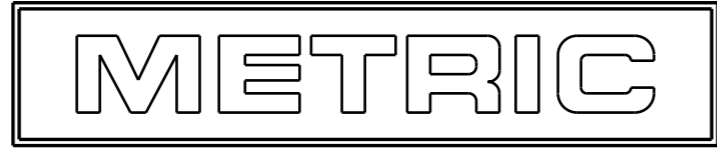


CONTACT, 1 AWG, 1 REQD
 TYCO PART NUMBER 1604041-1
 MAY BE ORDERED SEPARATELY

HOUSING-SPRING SUB-ASSY, 1 REQD
 TYCO PART NUMBER
 1604062-1 THRU -5 (INCLUSIVE)
 MAY BE ORDERED SEPARATELY

GREEN	1604397-5
RED	1604397-4
WHITE	1604397-3
BLACK	1604397-2
BLUE	1604397-1
HOUSING COLOR	KIT PART NO

THIS PRODUCT HAS PASSED VERIFICATION AND AGENCY APPROVALS TESTING AND IS COMPONENT RECOGNIZED PER UL 1977. TYCO ELECTRONICS PRODUCT QUALIFICATION TESTING IS NOT YET COMPLETED.



<small>THIS DRAWING IS A CONTROLLED DOCUMENT FOR TYCO ELECTRONICS CORPORATION IT IS SUBJECT TO CHANGE AND THE CONTROLLING ENGINEERING ORGANIZATION SHOULD BE CONTACTED FOR THE LATEST REVISION.</small>		DWN 9SEP2002 Brent D. Yohn		Tyco Electronics Harrisburg, PA 17105-3608	
DIMENSIONS: mm		TOLERANCES UNLESS OTHERWISE SPECIFIED: 0 PLC ±- 1 PLC ±0.4 2 PLC ±0.13 3 PLC ±0.050 4 PLC ±- ANGLES ±-		CHK 9SEP2002 W.H. BERNHART APVD 9SEP2002 W.H. BERNHART	
		MATERIAL - FINISH -		NAME KIT, CONNECTOR, SERIES 180 AMP, WITH 1 AWG CONTACTS	
PRODUCT SPEC -		APPLICATION SPEC -		SIZE A3 CAGE CODE 00779 DRAWING NO C-1604397 RESTRICTED TO -	
WEIGHT -		CUSTOMER DRAWING		SCALE 2:1 SHEET 1 OF 1 REV 01	