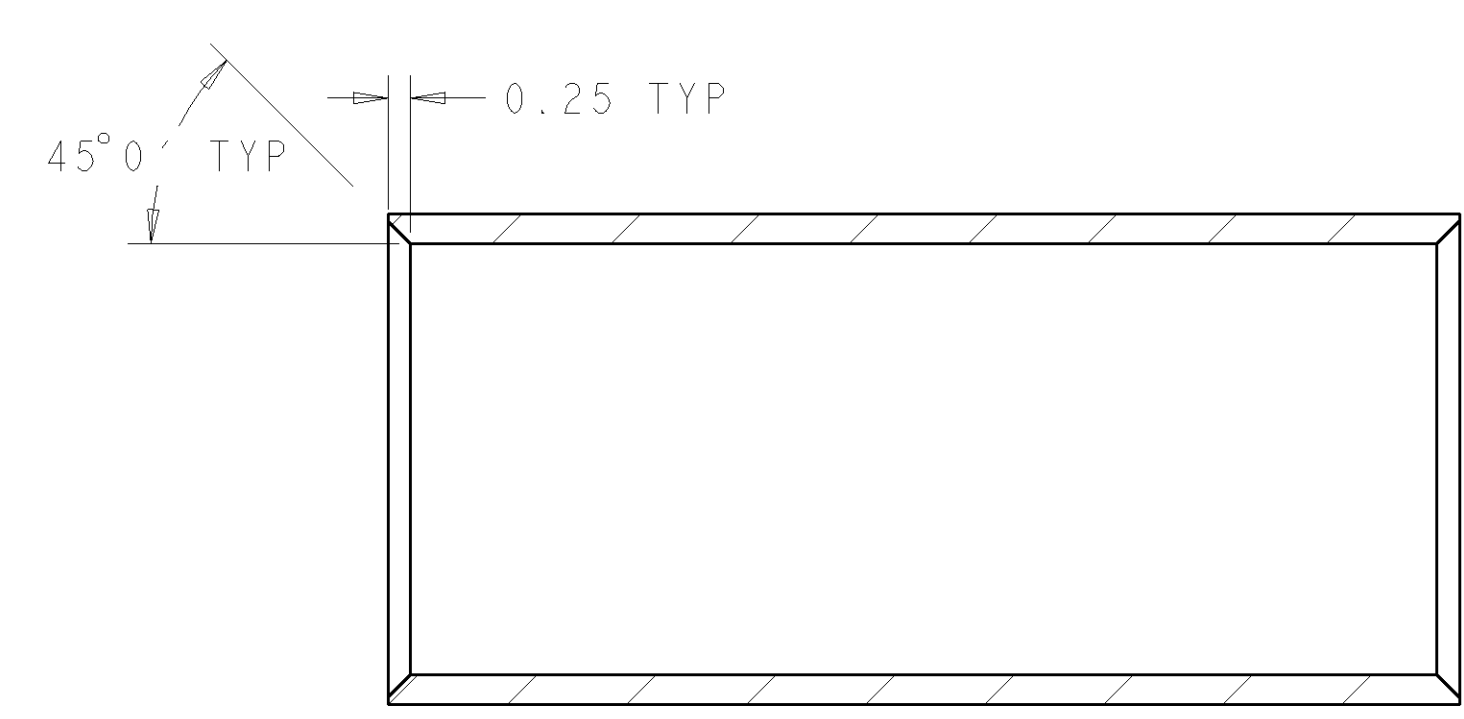
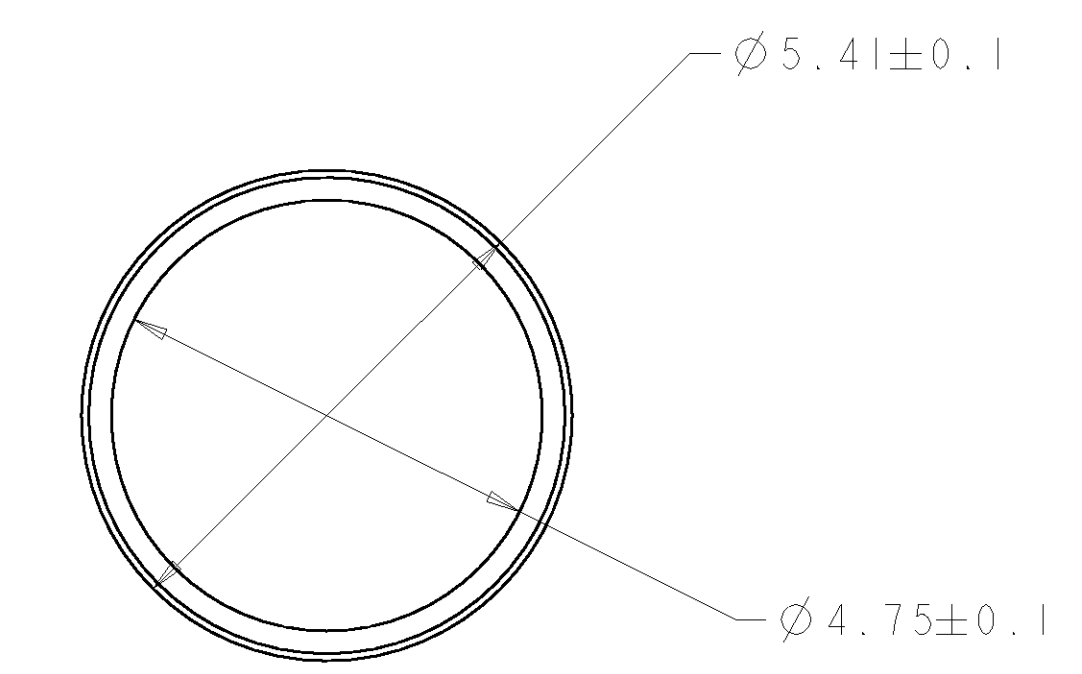
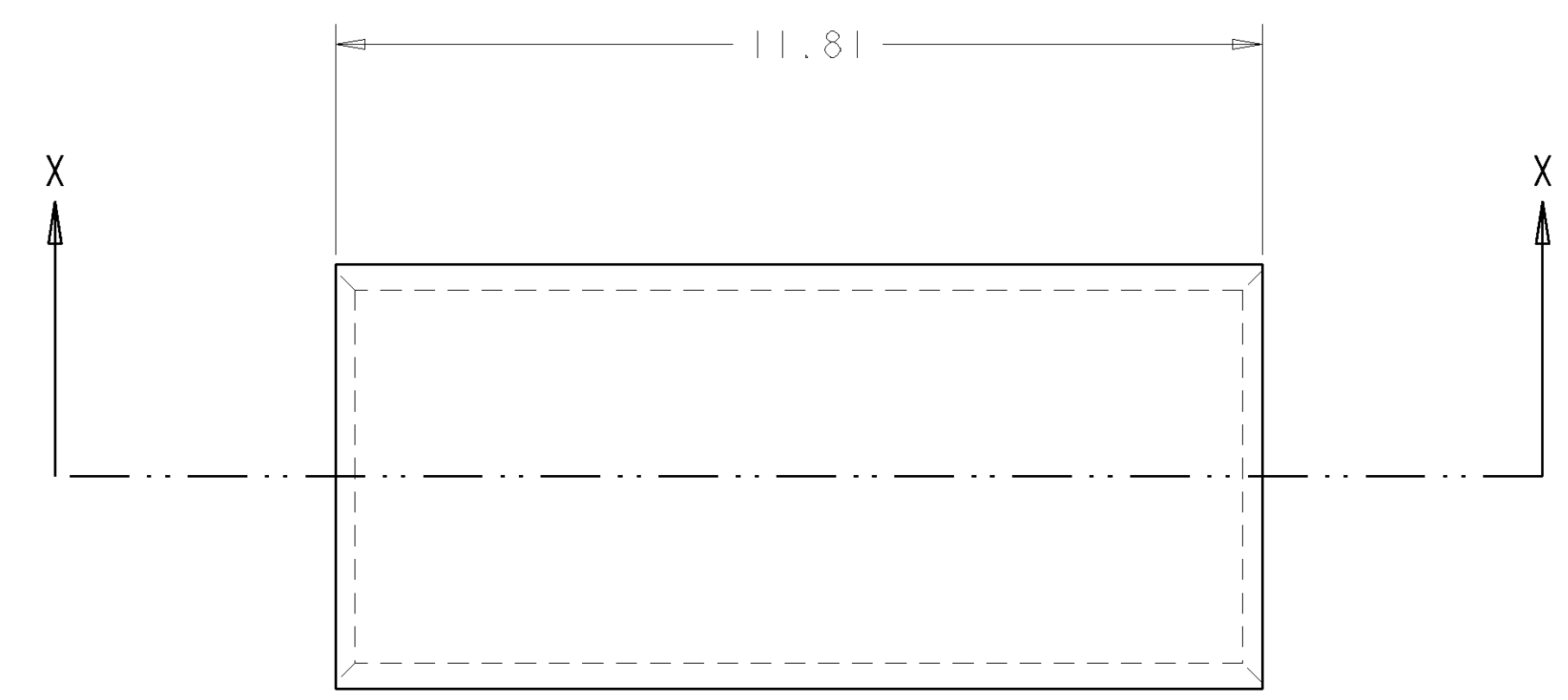
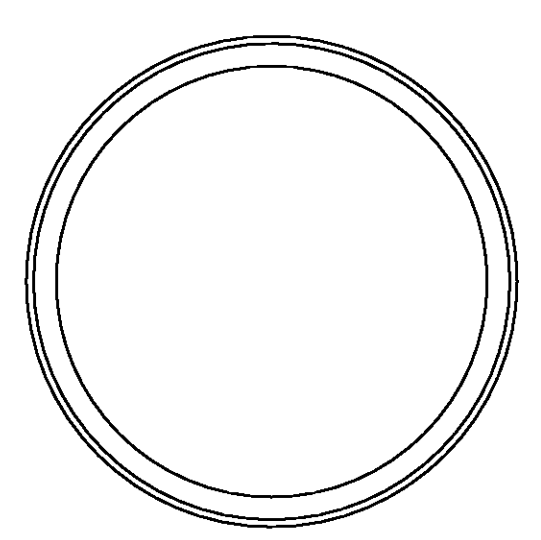


LOC		DIST		REVISIONS			
P	LTR	DESCRIPTION	DATE	DWN	APVD		
0		RELEASED	10-JUL-02	KW	JE		



SECTION X-X

1. MATERIAL: COPPER
2. PLATING: SILVER

1445762-1
PART NUMBER

<small>THIS DRAWING IS UNPUBLISHED. RELEASED FOR PUBLICATION BY TYCO ELECTRONICS CORPORATION. ALL RIGHTS RESERVED.</small>		DWN SHANE WIEST 14AUG01 CHK K. KETELSLEGER 14AUG01 APVD K. KETELSLEGER 14AUG01	tyco Electronics Tyco Electronics Harrisburg, PA 17105-3608
DIMENSIONS: mm 	TOLERANCES UNLESS OTHERWISE SPECIFIED: 0 PLC ± 1 PLC ± 2 PLC ±0.13 3 PLC ± 4 PLC ± ANGLES ± FINISH ±	PRODUCT SPEC APPLICATION SPEC WEIGHT CUSTOMER DRAWING	NAME REDUCING BUSHING 6 TO 8 AWG SIZE CAGE CODE DRAWING NO A 00779 C-1445762 SCALE 12:1 SHEET 1 OF 1 REV 0