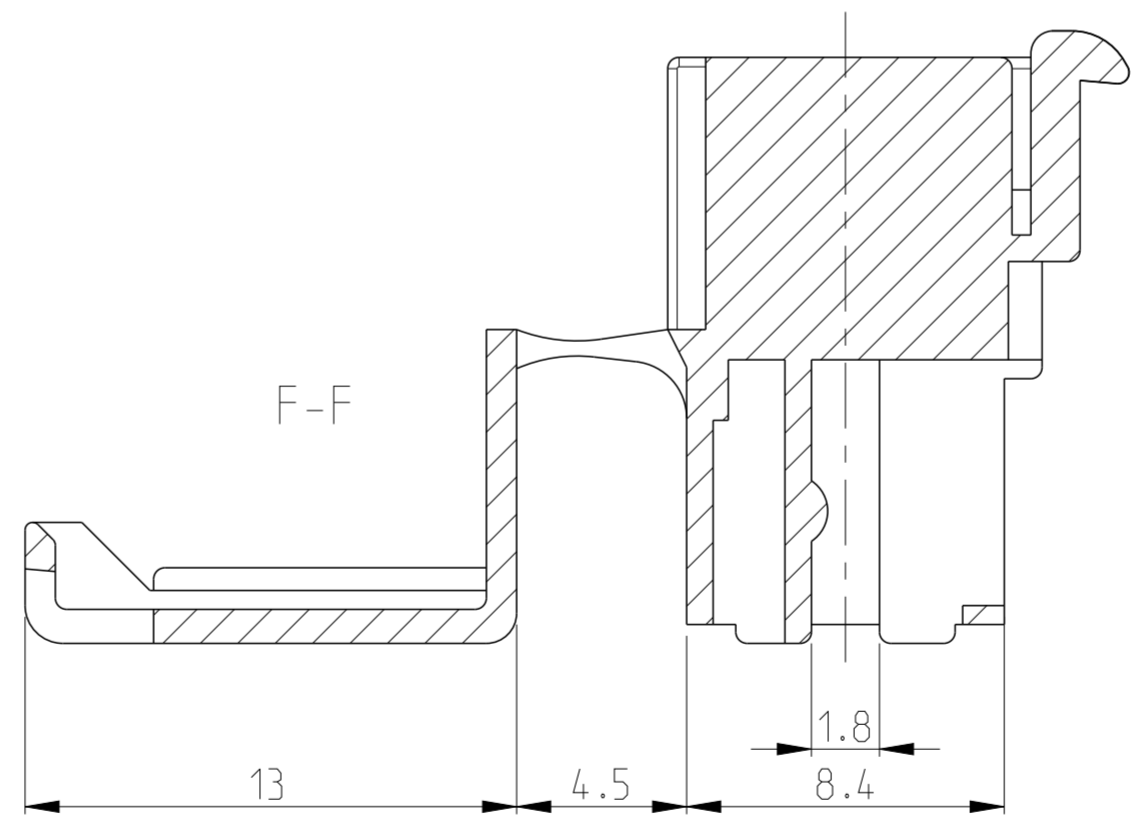
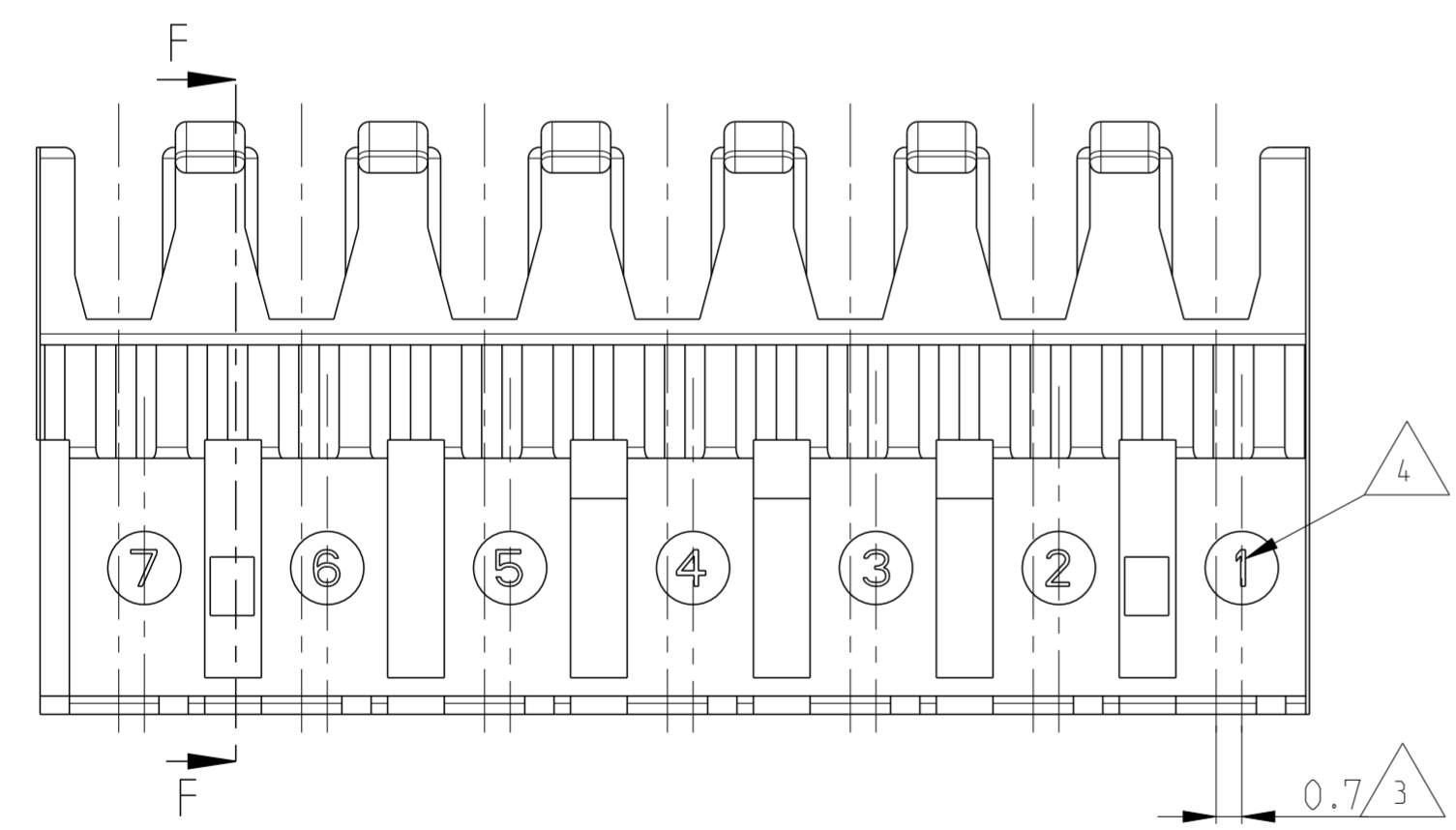
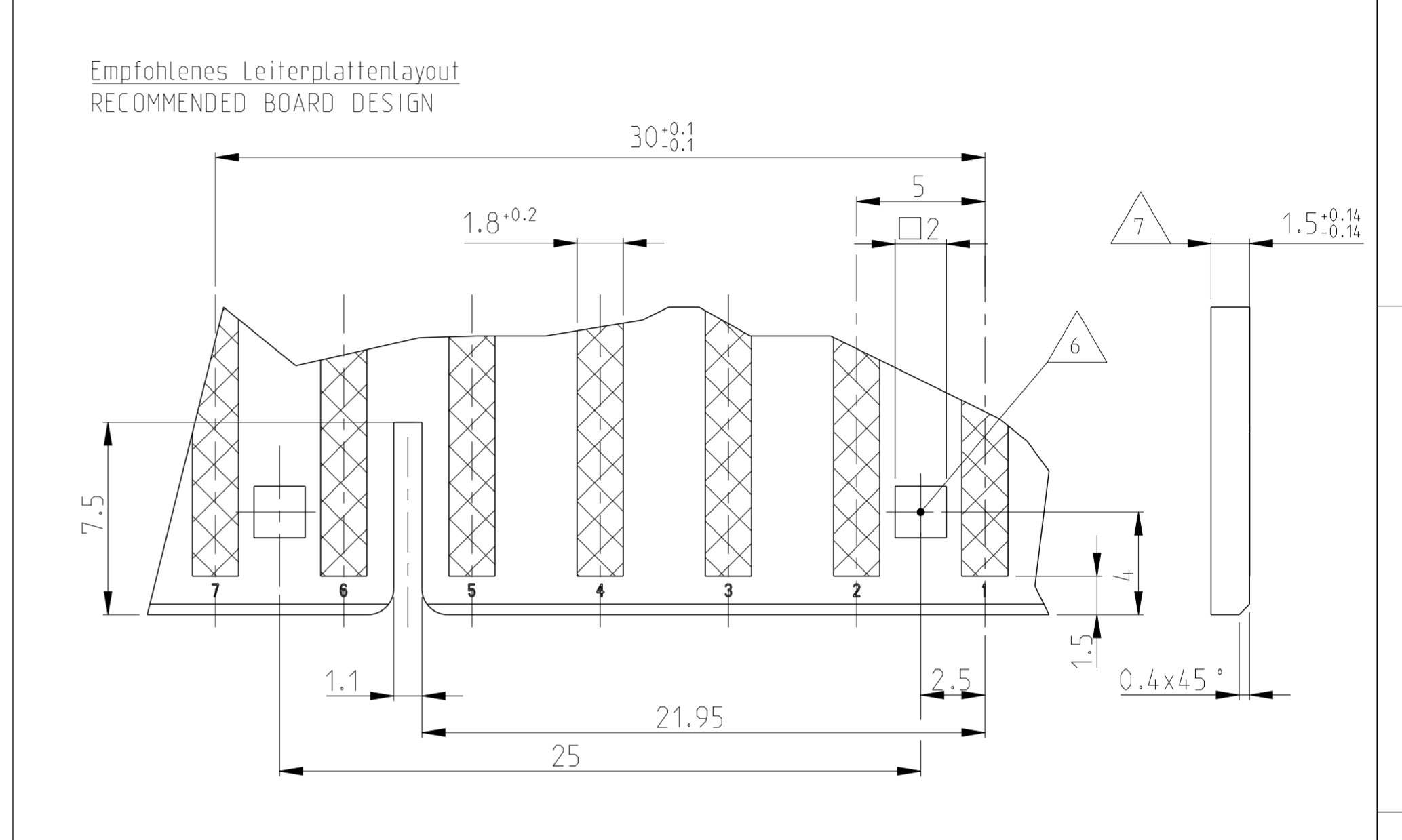
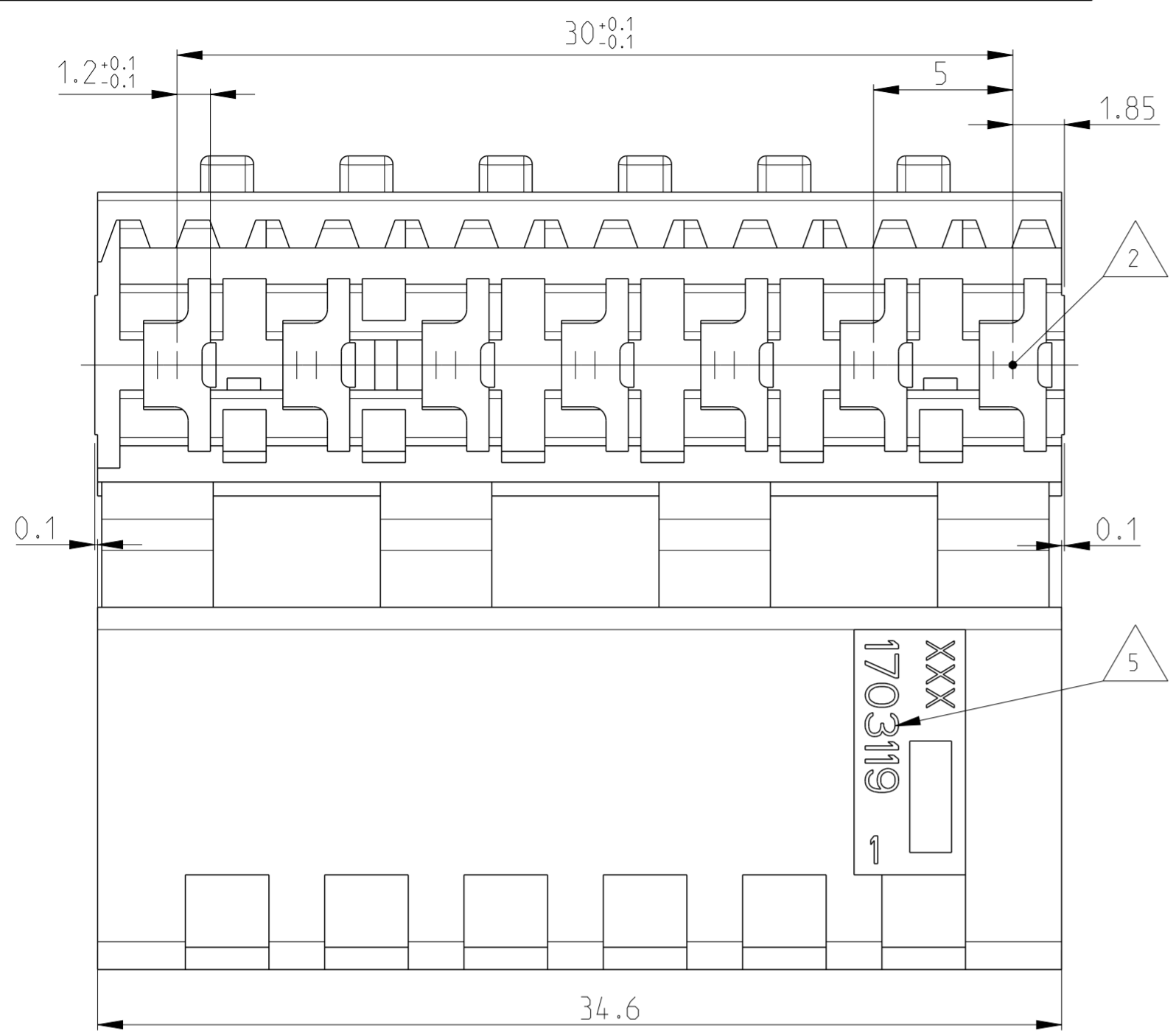


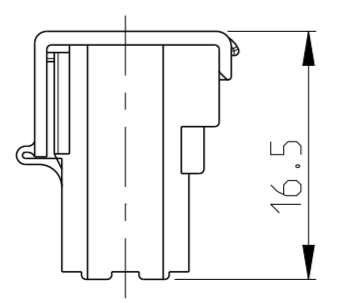
LOC	DIST	REVISIONS				
P	LTR	DESCRIPTION	DATE	DWN	APVD	
A1	-	B	ECR-12-002845	13APR2012	MKD	RRP
		B1	ECR-13-010494	08JUL2013	MKD	RRP



Bemerkungen  
NOTES

- 1 Massgebend ist der deutsche Text  
ONLY THE GERMAN-LANGUAGE VERSION SHALL BE BINDING
- 2 Lage des Kontaktpunktes auf der Leiterplatte; Abweichung ±0.4  
POSITION OF CONTACT POINT ON BOARD; DEVIATION ±0.4
- 3 Kontaktierung zur Drahtmitte um 0.7mm versetzt  
CONTACTING 0.7mm DISPLACED TO WIRE CENTRELINE
- 4 Kontaktkammer-Nr.  
CONTACT CAVITY #
- 5 Firmenlogo und Leergehäuse-Nr.  
ARTWORK LOGO AND HOUSING # (NON LOADED)
- 6 Vierkantloch 2x2 mm wahlweise Rastloch Ø2.5 mm  
SQUARE HOLE 2x2 mm OPTIONAL LOCKING HOLE Ø2.5 mm
- 7 Ausführung nach DIN 60249-2-4  
BOARD DESIGN ACCORDING TO DIN 60249-2-4
- 8 Crimp Kontakt-Nr.  
Material: CuSn4 926770-1: 926917-1  
CRIMP CONTACT #  
MATERIAL: CuSn4

Schematische Darstellung des  
MT-Edge Gehäuses mit  
geschlossenem Deckel  
SCHEMATIC DESCRIPTION OF  
MT-EDGE HOUSING WITH  
CLOSED LID



2:1

THIS DRAWING IS A CONTROLLED DOCUMENT.		DWN MAHNKE, B. 27SEP2004	TE Connectivity	
DIMENSIONS: mm		CHK STREDAK, F. 20DEC2004		
TOLERANCES UNLESS OTHERWISE SPECIFIED:		APVD BLEICHER, M. 21DEC2004	NAME 7 POS. MT-EDGE HOUSING RAST 5mm	
0 PLC ±0.2mm		PRODUCT SPEC 108-18003	SIZE CAGE CODE DRAWING NO RESTRICTED TO	
1 PLC ±		APPLICATION SPEC 114-18002	A2 C-1703119	
2 PLC ±		WEIGHT 3.393 g	SCALE 5:1 SHEET 1 OF 1 REV B1	
3 PLC ±		CUSTOMER DRAWING		
4 PLC ±				
ANGLES ±°				
FINISH				
MATERIAL PA6.6 / UL94V-2				