

SOURIAU

JBX SERIES



Push-Pull Coupling Mechanism



Contents

Overview

Typical Applications	06
Features & Benefits	07
Range Overview	08
Layouts	10
General Technical Characteristics	12

Connector

2 contacts	16
3 contacts	36
4 contacts	56
5 contacts	80
6 contacts	96
7 contacts	112
8 contacts	132
9 contacts	158
10 contacts	164
12 contacts	184
14 contacts	194
16 contacts	198
18 contacts	204
19 contacts	214
22 contacts	220
30 contacts	224

Contacts

Description	230
Packaging	230
Solder Contacts	231
Crimp Contacts	232
Straight PCB Contacts	233
90° PCB Contacts	234
Tooling	235

Technical Information

Receptacle Assembly Instructions	240
Plug Assembly Instructions	245
Collets Selection According to Cable Diameters	251
Rated Current & Working Voltage	252
UL94 + UL1977	253
What is NEMA Rating ?	257
Ethernet for the Layman	258

Appendices

Glossary of Terms	262
Drilling Pattern	263
Part Number Index	271

JBX SERIES

Overview

■ Typical Applications	06
■ Features & Benefits	07
■ Range Overview	08
■ Layouts	10
■ General Technical Characteristics	12

Typical Applications



Medical



Robotics - Machine tools



Building Automation & Control



Instrumentation / Measurement



Off road - Mining - Railway



Telecom - Data infrastructure

Features & Benefits

WATER PROOF

IP68 in Mated and Unmated Conditions

Ideal for outdoor applications with temporary or continuous water immersion and dust protection.

SIGNAL INTEGRITY

360° EMI Shielded

Less than 5mΩ: Qualified and Compatible to be used in electromagnetic radiation areas and ensures proper signal integrity and transmission.

SPACE SAVING

High Density Layouts

Ideal for compact devices due to small footprint. The use of 0.5mm contacts along with miniature housing makes it suitable for tight applications.

RELIABLE MATING

Push Pull Locking Mechanism

Only requires two fingers to mate/unmate securely with an audible, tactile and visual indicator, capable of mating over 5,000 times.

COST SAVINGS

Mixed Power & Signal Layouts

Power supply and transmission can be combined in a unique interconnection solution to reduce system complexity and minimize component/installation costs.

JBX IP40

Protective Boot



Choice of Contact termination

- Crimp
- Solder

Plug



FC: Right Angle Plug



FD: Straight Plug



FG: Breakaway Plug



FF: Straight Plug no Latch with Black Boot



FN: Straight Plug with Lanyard



FM: Right Angle Plug with Lanyard

Receptacle



EA: Double Nut Receptacle*



ED: Protuding Front Mount



EP: Rear Mount Receptacle*



ER: Front Mount Receptacle



EZ: Rear Mount Receptacle with Mounting Pins



PC: In Line Cable Receptacle



SA: Rear Mount Cable Receptacle



SR: Front Mount Cable Receptacle

Choice of Contact termination

- Crimp
- Straight PCB Tails
- Solder
- 90° PCB Tails

Protective Boot



* available with 90° PCB tails

Overview

JBX IP68

Protective Boot



Choice of Contact termination

- Crimp
- Solder

Plug

(Available in size 0 and 2)



FH: Straight Plug

Receptacle

(Available in size 0 and 2)

HC: Rear Mount Receptacle*
Available size 0



HD: Protuding Front Mount Receptacle
Available size 0



HH: Front Mount Extended Receptacle
Available size 0 & 2



EC: Double Nut, Front or Rear Mount Receptacle *
Available size 2



Choice of Contact termination

- Crimp
- Straight PCB Tails
- Solder
- 90° PCB Tails

Available for JBX IP40 and JBX IP68



Boot Version

Example: JBXFG0G02MCSDSMR

+





















Boot

Example: JBX0MPR

=

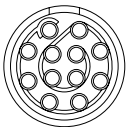
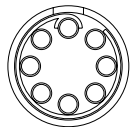
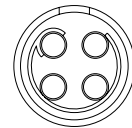
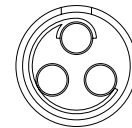
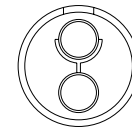
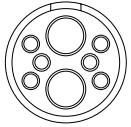
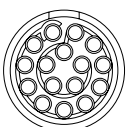
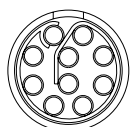
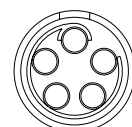
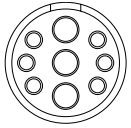
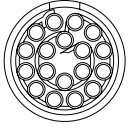
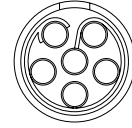
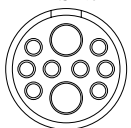
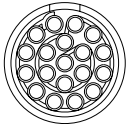
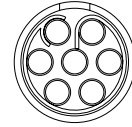

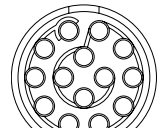

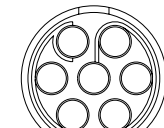
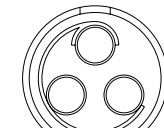


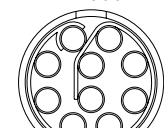
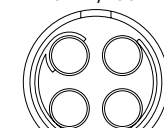


Layouts (Electrical parameter according to UL1977)

Shell size	Contact Ø 0.5	Contact Ø 0.7	Contact Ø 0.9	Contact Ø 01.3	Contact Ø 1.6	Contact Ø 2.0
00	<p>2 contacts 2A 500V</p>  <p>Page 16</p>					
	<p>4 contacts 2A 500V</p>  <p>Page 56</p>					
0	<p>6 contacts 2.5A 320V</p>  <p>Page 96</p>	<p>4 contacts 7A 660V</p>  <p>Page 60</p>	<p>2 contacts 10A 660V</p>  <p>Page 20</p>			
	<p>7 contacts 2.5A 320V</p>  <p>Page 112</p>	<p>5 contacts 6.5A 400V</p>  <p>Page 80</p>	<p>3 contacts 8A 600V</p>  <p>Page 36</p>			
	<p>8 contacts 2A 190V</p>  <p>Page 132</p>					
1	<p>10 contacts 2.5A 300V</p>  <p>Page 164</p>	<p>6 contacts 7A 660V</p>  <p>Page 102</p>	<p>4 contacts 10A 900V</p>  <p>Page 66</p>	<p>2 contacts 15A 760V</p>  <p>Page 26</p>		
	<p>12 contacts 2.5A 170V</p>  <p>Page 184</p>	<p>7 contacts 7A 660V</p>  <p>Page 118</p>	<p>5 contacts 9A 660V</p>  <p>Page 86</p>	<p>3 contacts 12A 600V</p>  <p>Page 42</p>		
		<p>8 contacts 5A 600V</p>  <p>Page 138</p>				

Note: Contacts are numbered Counterclockwise in the plug and clock wise in the receptacle.

Contact	Ø 0.5 mm	Ø 0.7 mm	Ø 0.9 mm	Ø 1.3 mm	Ø 1.6 mm	Ø 2.0 mm
Solder (AWG)	28 and smaller	22 and smaller	22 and smaller	20 and smaller	18 and smaller	16 and smaller
Crimp (AWG)	Not available	22 - 24 - 26	20 - 22 - 24	18 - 20 - 22	14 - 16 - 18	12 - 14 - 16

Shell size	Contact Ø 0.7	Contact Ø 0.9	Contact Ø 1.3	Contact Ø 1.6	Contact Ø 2.0	Mixed Contact	
2	<p>12 contacts 7A 830V</p>  <p>Page 188</p>	<p>8 contacts 10A 830V</p>  <p>Page 142</p>	<p>4 contacts 15A 1,000V</p>  <p>Page 70</p>	<p>3 contacts 17A 830V</p>  <p>Page 46</p>	<p>2 contacts 30A 1,000V</p>  <p>Page 30</p>	<p>8 contacts 26A 700V 6 x Ø 0.7 2 x Ø 2.0</p>  <p>Page 148</p>	
	<p>16 contacts 6A 730V</p>  <p>Page 198</p>	<p>10 contacts 8A 830V</p>  <p>Page 168</p>	<p>5 contacts 14A 900V</p>  <p>Page 90</p>				<p>9 contacts 26A 700V 6 x Ø 0.7 3 x Ø 1.3</p>  <p>Page 158</p>
	<p>18 contacts 5.5A 660V</p>  <p>Page 204</p>		<p>6 contacts 12A 900V</p>  <p>Page 106</p>				<p>10 contacts 17A 700V 8 x Ø 0.7 2 x Ø 1.6</p>  <p>Page 174</p>
	<p>19 contacts 5A 660V</p>  <p>Page 214</p>		<p>7 contacts 11A 730V</p>  <p>Page 122</p>				
3	<p>22 contacts 5.5A 560V</p>  <p>Page 220</p>	<p>14 contacts 9A 830V</p>  <p>Page 194</p>	<p>8 contacts 12A 830V</p>  <p>Page 154</p>	<p>7 contacts 15A 1,000V</p>  <p>Page 128</p>	<p>3 contacts 25A 1,600V</p>  <p>Page 52</p>		
	<p>30 contacts 3.5A 400V</p>  <p>Page 224</p>	<p>18 contacts 7A 660V</p>  <p>Page 210</p>	<p>10 contacts 12A 600V</p>  <p>Page 180</p>			<p>4 contacts 25A 1,100V</p>  <p>Page 76</p>	

JBX Sealed in Unmated Condition

All dimensions are in mm

General technical characteristics



Materials

- **Outer shell and collet nut:** Brass
- **Latching sleeve:** Brass
- **Shielding ring:** Brass
- **Nut:** Brass
- **Half bushes:** Brass
- **Clip:** Beryllium copper
- **Insert:** PEEK
- **Collet:** PA 6/6 + MoS2
- **Cable seal:** Silicon rubber
- **Contacts:** See every layout pages
- **Halogen free**

Environmental

- **Operating temperature:**
from -40°C to +125°C
- **Flammability rating:**
UL94 V-0
- **Salt spray:**
per MIL-STD-202 method 101
- 48 h (nickel chrome)
- 96 h (black anodized coupling ring)
Higher salt spray resistance (200/500 h) upon request
- **Sealing:**
- Dynamic IP40 / IP68 in mated condition
- Sealed IP68 connectors in unmated condition are marked with the symbol "▲". Please refer to the connector section.
- **Fluid resistance:**
- Gas and oil
- Mineral oil
- Acid bath
- Basic bath
- **Shielding effectiveness:**
55 dB up to 100 MHz

Electrical



- **In accordance with:**
- UL 1977: Certificate ECBT2
File number: E169916
- CSA C22.2: Certificate ECBT8
File number E169916
- Also see pages 10 & 11

Mechanical

- **Durability:**
> 5,000 cycles per IEC 61984 group B
- **Vibration resistance:**
10 - 2,000 Hz, acceleration 15 g, contact Ø 0.7 mm and 0.9 mm
10 - 2,000 Hz, acceleration 20 g, contact Ø 1.3 mm - 1.6 mm and 2 mm
Per MIL-STD-1344A method 2005.1
- **Thermal shock:**
5 cycles 30 min. from -40°C to 105°C
Per MIL-STD-202 method 207
- **Mechanical shock:**
50 g, duration 6 ms ; contact Ø 0.7 mm and 0.9 mm
100 g, duration 6 ms ; contact Ø 1.3 mm - 1.6 mm and 2 mm
Per MIL-STD-1344A method 20004.1
- **Discrimination/Keying:**
To eliminate mismatching, JBX connectors are offered with discrimination keys to avoid interconnection system errors.
Please consult us for more information.

JBX SERIES

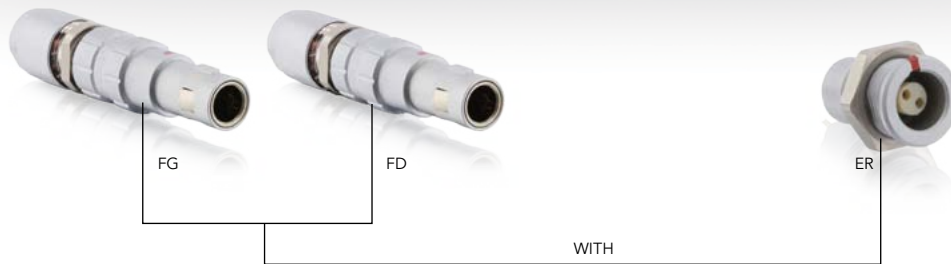
JBX Series

Connector

2 contacts	JBX00-02:	2A	500V	16
	JBX0-02:	10A	660V	20
	JBX1-02:	15A	760V	26
	JBX2-02:	30A	1,000V	30
3 contacts	JBX0-03:	8A	600V	36
	JBX1-03:	12A	600V	42
	JBX2-03:	17A	830V	46
	JBX3-03:	25A	1,600V	52
4 contacts	JBX00-04:	2A	500V	56
	JBX0-04:	7A	660V	60
	JBX1-04:	10A	900V	66
	JBX2-04:	15A	1,000V	70
	JBX3-04:	25A	1,100V	76
5 contacts	JBX0-05:	6.5A	400V	80
	JBX1-05:	9A	660V	86
	JBX2-05:	14A	900V	90
6 contacts	JBX0-06:	2.5A	320V	96
	JBX1-06:	7A	660V	102
	JBX2-06:	12A	900V	106
7 contacts	JBX0-07:	2.5A	320V	112
	JBX1-07:	7A	660V	118
	JBX2-07:	11A	730V	122
	JBX3-07:	15A	1,000V	128
8 contacts	JBX0-08:	2A	190V	132
	JBX1-08:	5A	600V	138
	JBX2-08:	10A	830V	142
	JBX2-001:	26A	700V	148
	JBX3-08:	12A	830V	154
9 contacts	JBX2-002:	26A	700V	158
10 contacts	JBX1-10:	2.5A	300V	164
	JBX2-10:	8A	830V	168
	JBX2-003:	17A	700V	174
	JBX3-10:	12A	600V	180
12 contacts	JBX1-12:	2.5A	170V	184
	JBX2-12:	7A	830V	188
14 contacts	JBX3-14:	9A	830V	194
16 contacts	JBX2-16:	6A	730V	198
18 contacts	JBX2-18:	5.5A	660V	204
	JBX3-18:	7A	660V	210
19 contacts	JBX2-19:	5A	660V	214
22 contacts	JBX3-22:	5.5A	560V	220
30 contacts	JBX3-30:	3.5A	400V	224

Electrical parameters according to UL1977

JBX00-02 - IP40 (2 x Ø 0.5mm)



Layout



Connector IP40 Part Number

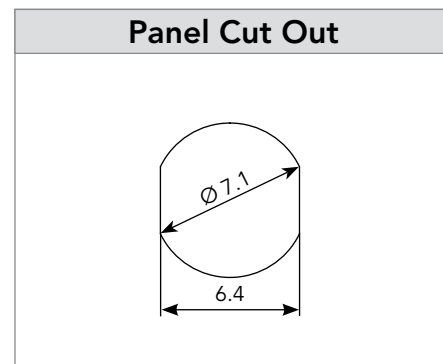
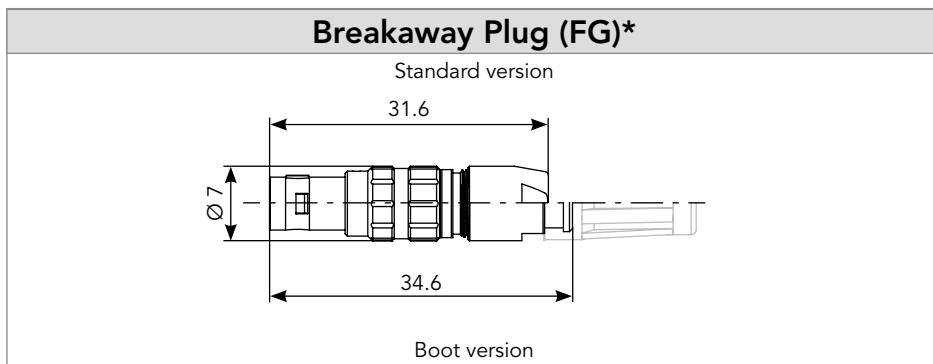
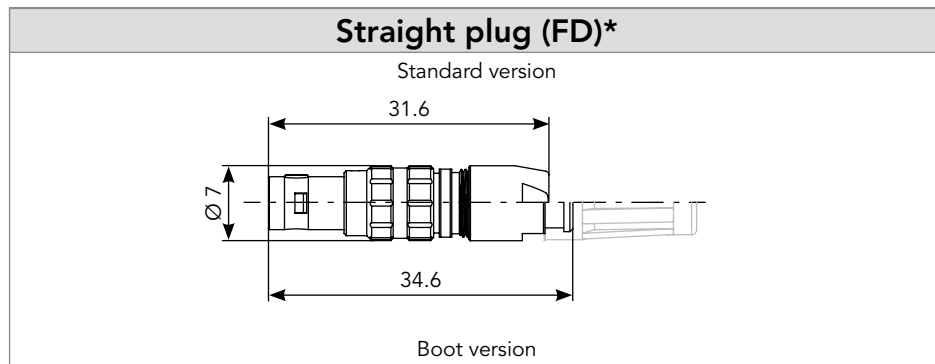
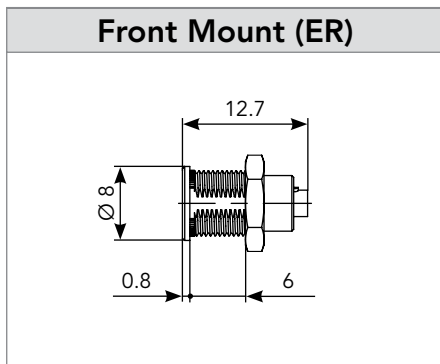
Contact type	Connector type	Description	Part number ⁽¹⁾	
			Male insert	Female insert
Solder contacts see page 19	Receptacle	Front mount (ER)	JBXER00G02MSSDSR	JBXER00G02FSSDSR
	Plug	Straight plug (FD) *	JBXFD00G02MSSDSR	JBXFD00G02FSSDSR
		Breakaway plug (FG) *	JBXFG00G02MSSDSR	JBXFG00G02FSSDSR

* In order to get the back nut for protective boot please add «M» after the last «S». Example: JBX Straight Plug, size 00, 2 solder contacts, male insert = JBXFD00G02MSSDSMR. The protective boot need to be ordered separately, see page accessories.

(1): In order to get a black Chrome over Nickel please replace «S» before the «D» by one «N». Example: JBX Straight Plug, size 00, 2 solder contacts, male insert = JBXFD00G02MSNDSR.

JBX00-02 - IP40 (2 x Ø 0.5mm)

Dimensions (For mated connector lengths see page 19)



JBX00-02 - IP40 (2 x Ø 0.5mm)

Accessories

Receptacle Dust Cap




Part number
JBXBR00

Plug Dust Cap




Part number
JBXBF00

Grounding Washer



Part number
JAXRA00251

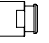
Insulating Washer




Part number	Color
JBX00RIA	Blue
JBX00RIB	White
JBX00RIG	Grey
JBX00RIJ	Yellow
JBX00RIM	Brown
JBX00RIN	Black
JBX00RIR	Red
JBX00RIV	Green
JBX00RIO	Orange

Note : Insulating washers are not compatible with the IP68 versions

Protective Boot

Available only for FD & FG, with back nut protective boot 



Part number	Color
JBX00MPA	Blue
JBX00MPB	White
JBX00MPG	Grey
JBX00MPJ	Yellow
JBX00MPM	Brown
JBX00MPN	Black
JBX00MPR	Red
JBX00MPV	Green
JBX00MPO	Orange

The overall length is 12 mm longer with the protective boot.

Note: The protective boot is not a sealing element.

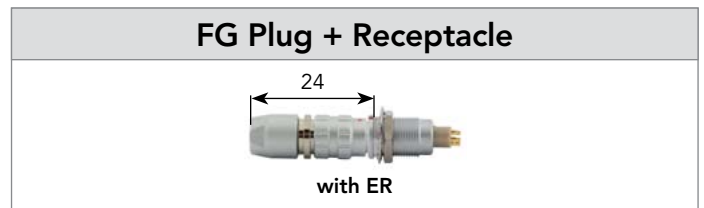
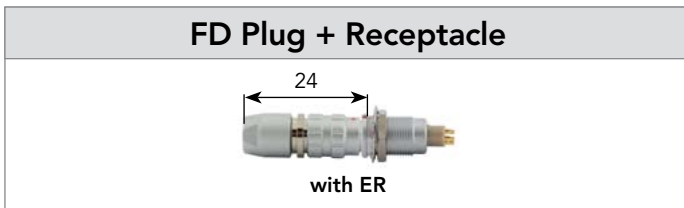
JBX00-02 - IP40 (2 x Ø 0.5mm)

Contacts

Ø 0.5 mm	Contact type	Plating	Contact locking type	AWG - Wire max.
Solder	Machined	0.5 µm gold over 3 to 5 µm Ni	Fixed	30

For more information see page 231

Mated Connector Length

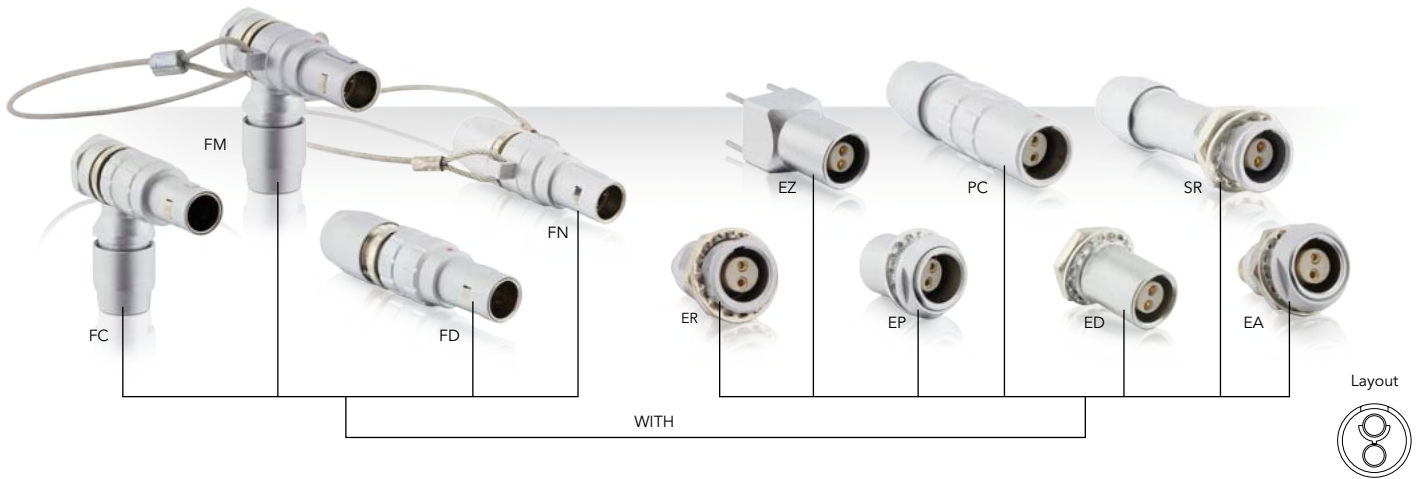


Electrical Characteristics

UL
2A 500V UL94 V-0

Note: all dimensions are in mm

JBX0-02 - IP40 (2 x Ø 0.9 mm) - See waterproof IP68 version page 22



Connector Part Number

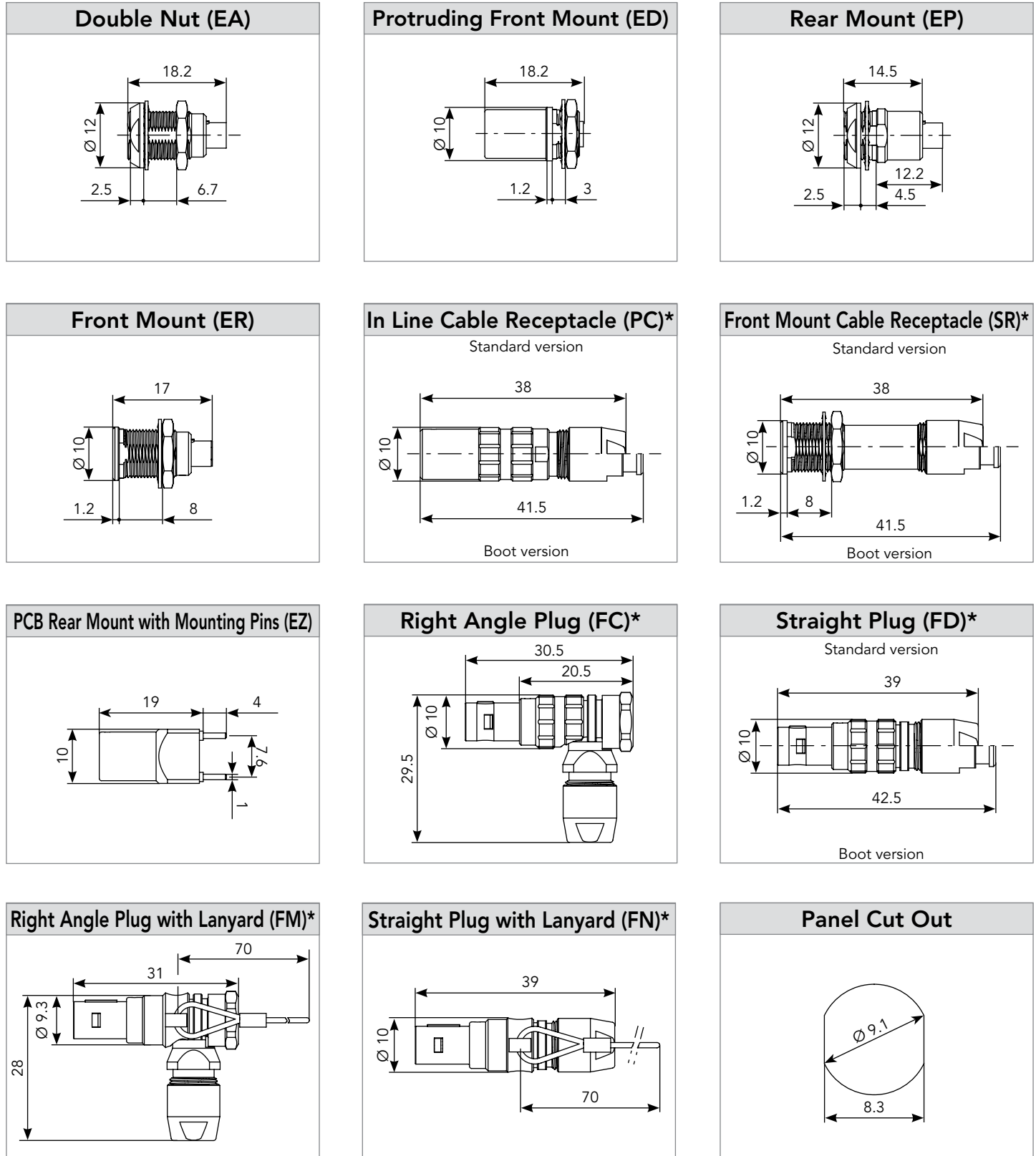
Contact type	Connector type	Description	Part number ⁽¹⁾	
			Male insert	Female insert
Solder contacts see page 25	Receptacle	Double nut (EA)	JBXEA0G02MSSDS	JBXEA0G02FSSDS
		Protruding front mount (ED)	JBXED0G02MSSDSR	JBXED0G02FSSDSR
		Rear mount (EP)	JBXEP0G02MSSDS	JBXEP0G02FSSDS
		Front mount (ER)	JBXER0G02MSSDSR	JBXER0G02FSSDSR
		In line cable (PC) *	JBXPC0G02MSSDSR	JBXPC0G02FSSDSR
	Plug	Right angle plug (FC) *	JBXFC0G02MSSDSR	JBXFC0G02FSSDSR
		Straight plug (FD) *	JBXFD0G02MSSDSR	JBXFD0G02FSSDSR
		Right Angle plug with lanyard (FM) *	JBXFM0G02MSSDSR	JBXFM0G02FSSDSR
Crimp contacts see page 25	Receptacle	Double nut (EA)	JBXEA0G02MCSDS	JBXEA0G02FCSDS
		Protruding front mount (ED)	JBXED0G02MCSDSR	JBXED0G02FCSDSR
		Rear mount (EP)	JBXEP0G02MCSDS	JBXEP0G02FCSDS
		Front mount (ER)	JBXER0G02MCSDSR	JBXER0G02FCSDSR
		In line cable (PC) *	JBXPC0G02MCSDSR	JBXPC0G02FCSDSR
	Plug	Front mount cable (SR) *	JBXSR0G02MCSDSR	JBXSR0G02FCSDSR
		Right angle plug (FC) *	JBXFC0G02MCSDSR	JBXFC0G02FCSDSR
		Straight plug (FD) *	JBXFD0G02MCSDSR	JBXFD0G02FCSDSR
Straight PCB contacts see page 25	Receptacle	Double nut (EA)	-	JBXEA0G02FPSDS
		Rear mount (EP)	-	JBXEP0G02FPSDS
		PCB rear mount with mounting pins (EZ)	-	JBXEZ0G02FPSDSR
90° PCB contacts see page 25	Receptacle	Double nut (EA)	-	JBXEA0G02FQSDS
		Protruding front mount (ED)	-	JBXED0G02FQSDSR
		Rear mount (EP)	-	JBXEP0G02FQSDS

* In order to get the back nut for protective boot please add «M» after the last «S». Example: JBX Straight Plug, size 0, 2 solder contacts, male insert = JBXFD0G02MSSDSMR. : First choice
The protective boot need to be ordered separately, see page accessories.

(1): In order to get a black Chrome over Nickel please replace «S» before the «D» by one «N». Example: JBX Straight Plug, size 0, 2 solder contacts, male insert = JBXFD0G02MSNDSR.

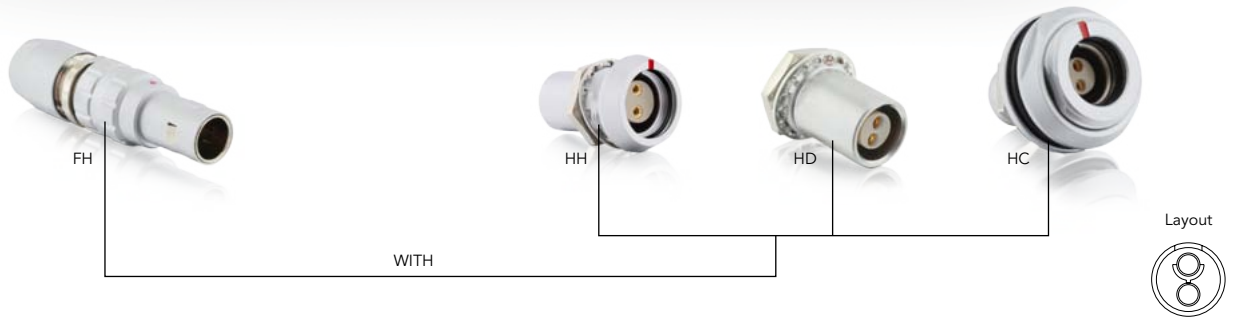
JBX0-02 - IP40 (2 x Ø 0.9 mm) - See waterproof IP68 version page 22

Dimensions (For mated connector lengths see page 25)



Note: all dimensions are in mm

JBX0-02 - IP68 (2 x Ø 0.9 mm) - See non sealed IP40 version page 20



Connector Part Number

Contact type	Connector type	Description	Part number ⁽¹⁾	
			Male insert	Female insert
Solder contacts see page 25	Receptacle	Rear mount (HC) ☁	JBXHC0G02MSSDSR	JBXHC0G02FSSDSR
		Protruding front mount (HD) ☁	JBXHD0G02MSSDSR	JBXHD0G02FSSDSR
		Front mount extended (HH) ☁	JBXHH0G02MSSDSR	JBXHH0G02FSSDSR
	Plug	Straight plug (FH) *	JBXFH0G02MSSDSR	JBXFH0G02FSSDSR
Crimp contacts see page 25	Receptacle	Protruding front mount (HD)	JBXHD0G02MCSDSR	JBXHD0G02FCSDSR
		Front mount extended (HH)	JBXHH0G02MCSDSR	JBXHH0G02FCSDSR
	Plug	Straight plug (FH) * ☁	JBXFH0G02MCSDSR	JBXFH0G02FCSDSR
Straight PCB contacts see page 25	Receptacle	Rear mount (HC) ☁	-	JBXHC0G02FPSDSR

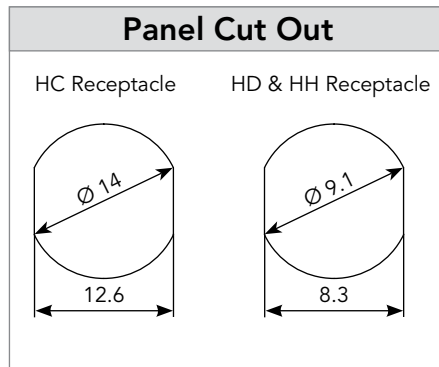
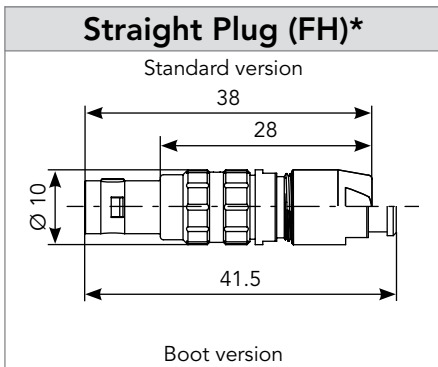
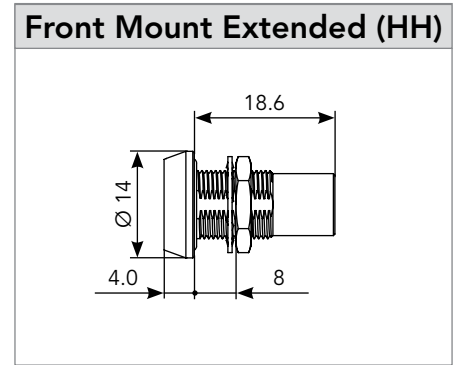
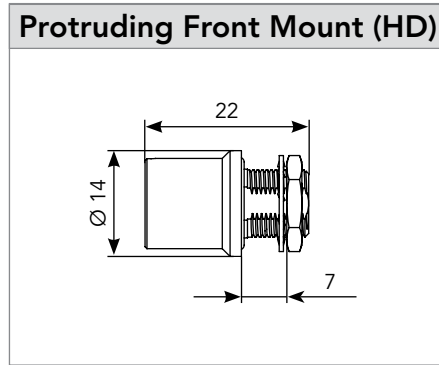
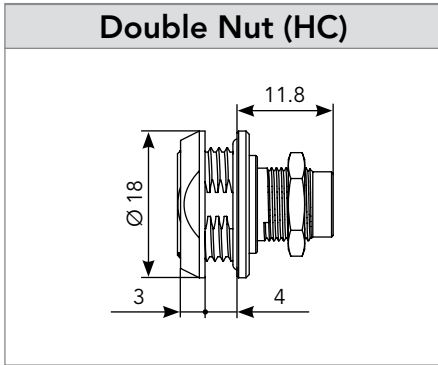
* In order to get the back nut for protective boot please add «M» after the last «S». Example: JBX Straight Plug, size 0, 2 solder contacts, male insert = JBXFH0G02MSSDSMR. ☐ : First choice
 The protective boot need to be ordered separately, see page accessories.

1: In order to get a black Chrome over Nickel please replace «S» before the «D» by one «N». Example: JBX Straight Plug, size 0, 2 solder contacts, male insert = JBXFH0G02MSNDSR.

☁ : Sealed in Unmated Condition

JBX0-02 - IP68 (2 x Ø 0.9 mm) - See non sealed IP40 version page 20

Dimensions (For mated connector lengths see page 25)



Note: all dimensions are in mm

JBX0-02 - IP40 & IP68 (2 x Ø 0.9 mm)

Accessories

Receptacle Dust Cap




Part number
JBXBRØ

Plug Dust Cap




Part number
JBXBFØ

Grounding Washer



Part number
JAXRAØ251

Insulating Washer



Part number	Color
JBXØRIA	Blue
JBXØRIB	White
JBXØRIG	Grey
JBXØRIJ	Yellow
JBXØRIM	Brown
JBXØRIN	Black
JBXØRIR	Red
JBXØRIV	Green
JBXØRIO	Orange

Note : Insulating washers are not compatible with the IP68 versions

Protective Boot

Available only for PC - FC - FD - FM - FN - SR - FH, with back nut protective boot 



Part number	Color
JBXØMPA	Blue
JBXØMPB	White
JBXØMPG	Grey
JBXØMPJ	Yellow
JBXØMPM	Brown
JBXØMPN	Black
JBXØMPR	Red
JBXØMPV	Green
JBXØMPO	Orange

The overall length is 17 mm longer with the protective boot.
Note: The protective boot is not a sealing element.


Tooling

Crimp Tooling



Part number
MIL-22520/7-01

Locator



Part number	
Male	Female
JBXØOUTLPØ9	JBXØOUTLSØ9

Extraction Tool



Part number
JBXOUTDCØ9

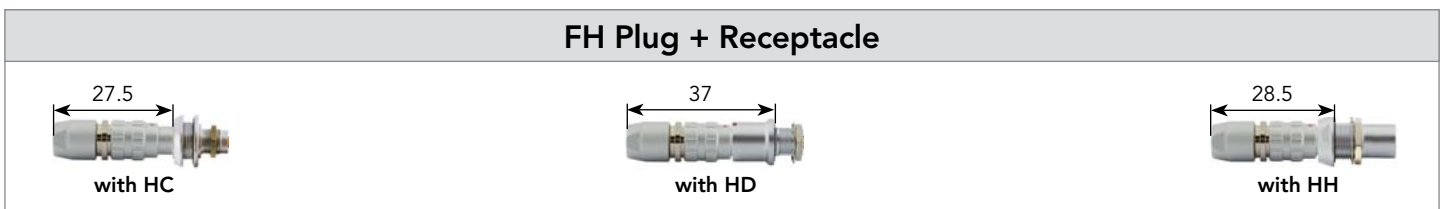
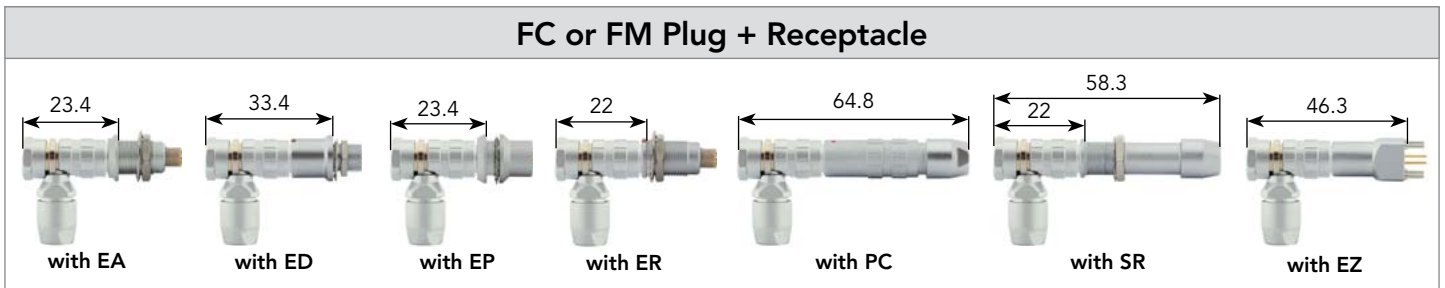
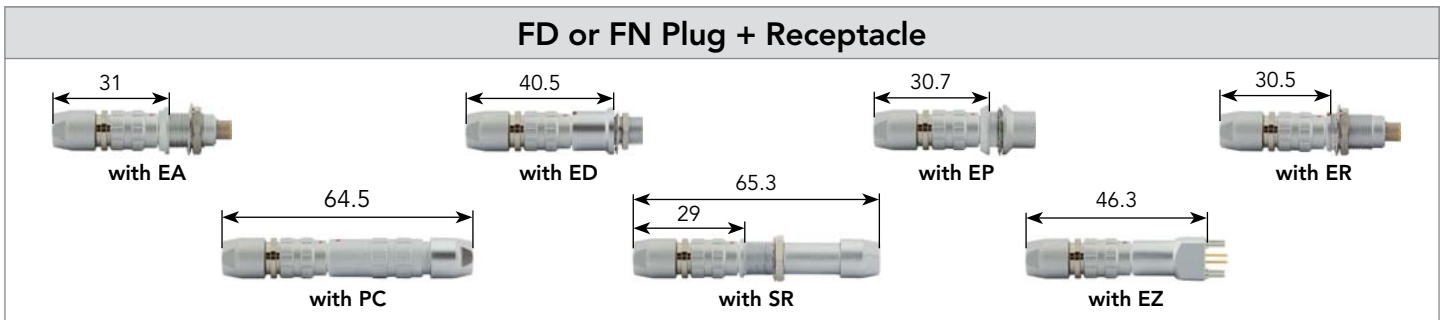
JBX0-02 - IP40 & IP68 (2 x Ø 0.9 mm)

Contacts

Ø 0.9 mm	Contact type	Plating	Contact locking type	AWG
Solder	Machined	0.5 µm gold over 3 to 5 µm Ni	Removable	24
Crimp	Machined	0.5 µm gold over 3 to 5 µm Ni	Removable	20 - 22 - 24
Straight PCB	Machined	0.5 µm gold over 3 to 5 µm Ni	Fixed	-
90° PCB	Machined	0.5 µm gold over 3 to 5 µm Ni	Removable	-

For more information see pages 231 to 234

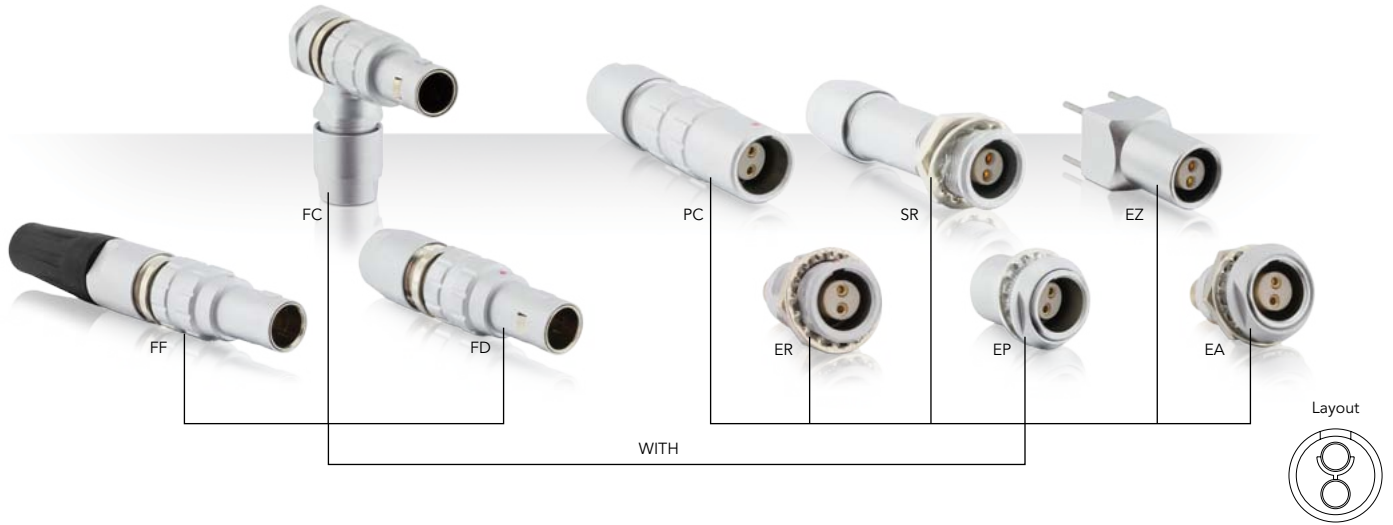
Mated Connector Length



Electrical Characteristics
<p>UL 10A 660V UL94 V-0</p>

Note: all dimensions are in mm

JBX1-02 - IP40 (2 x Ø 1.3 mm)



Connector Part Number

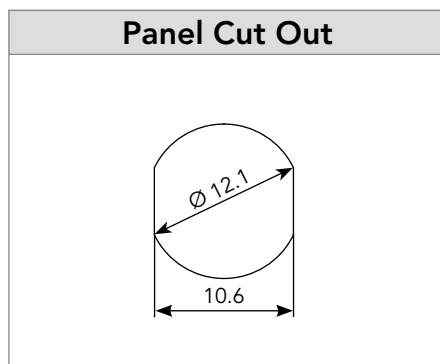
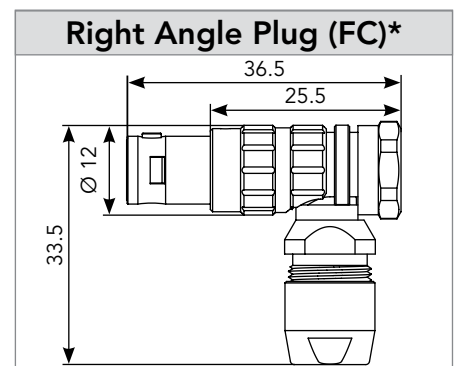
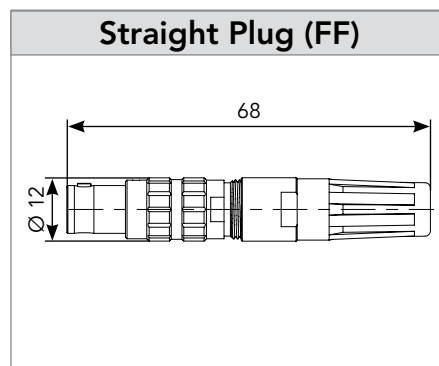
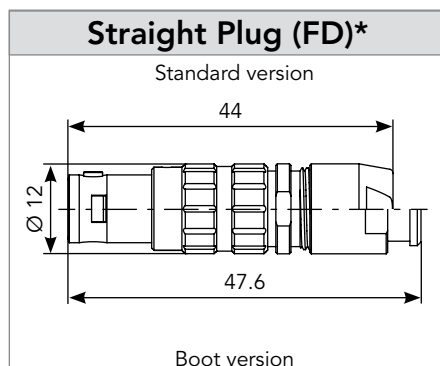
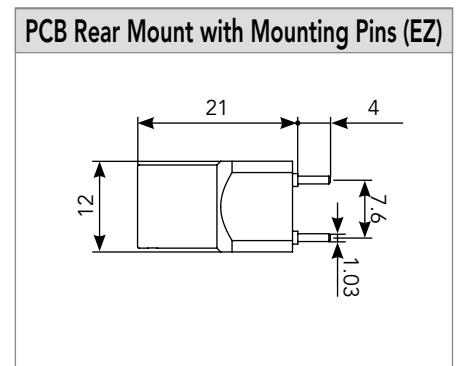
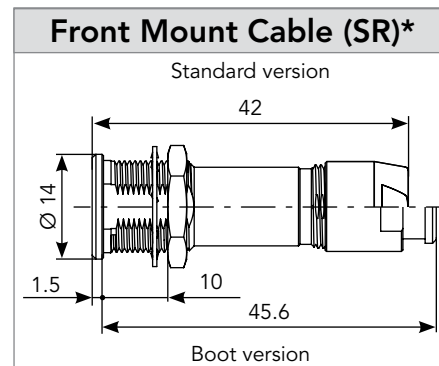
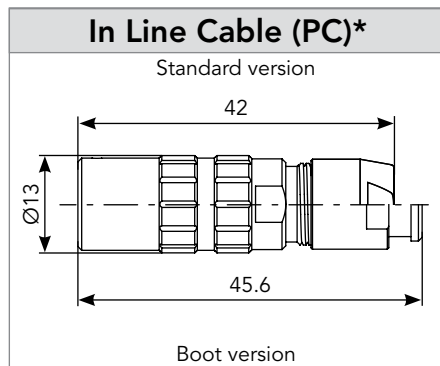
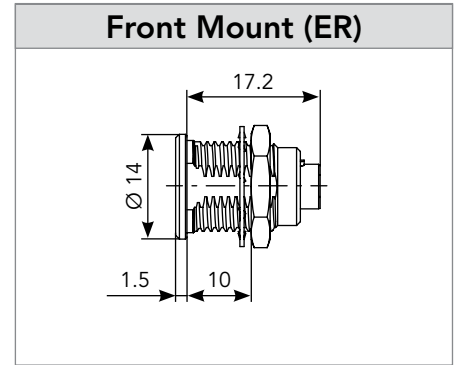
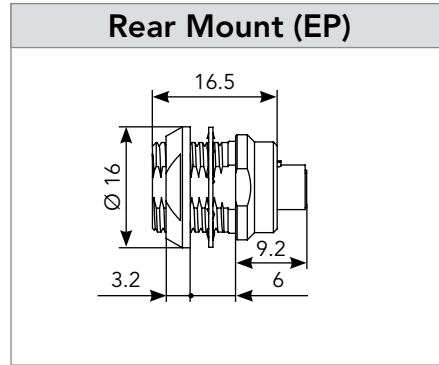
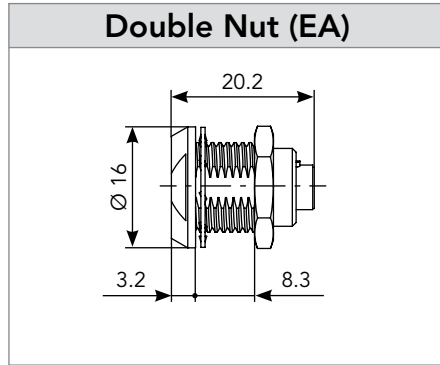
Contact type	Connector type	Description	Part number ⁽¹⁾	
			Male insert	Female insert
Solder contacts see page 29	Receptacle	Double nut (EA)	JBXEA1G02MSSDS	JBXEA1G02FSSDS
		Rear mount (EP)	JBXEP1G02MSSDS	JBXEP1G02FSSDS
		Front mount (ER)	JBXER1G02MSSDSR	JBXER1G02FSSDSR
		In line cable (PC) *	JBXPC1G02MSSDSR	JBXPC1G02FSSDSR
		Front mount cable (SR) *	JBXSR1G02MSSDSR	JBXSR1G02FSSDSR
	Plug	Straight plug (FD) *	JBXFD1G02MSSDSR	JBXFD1G02FSSDSR
Straight plug no latch with black protective boot (FF)		JBXFF1G02MSSDSR	JBXFF1G02FSSDSR	
Crimp contacts see page 29	Receptacle	Double nut (EA)	JBXEA1G02MCSDS	JBXEA1G02FCSDS
		Front mount (ER)	JBXER1G02MCSDSR	JBXER1G02FCSDSR
		In line cable (PC) *	JBXPC1G02MCSDSR	JBXPC1G02FCSDSR
	Plug	Right angle plug (FC) *	JBXFC1G02MCSDSR	JBXFC1G02FCSDSR
		Straight plug (FD) *	JBXFD1G02MCSDSR	JBXFD1G02FCSDSR
Straight PCB contacts see page 29	Receptacle	Double nut (EA)	-	JBXEA1G02FPSDS
		Front mount (ER)	-	JBXER1G02FPSDSR
		PCB rear mount with mounting pins (EZ)	-	JBXEZ1G02FPSDSR

* In order to get the back nut for protective boot please add «M» after the last «S». Example: JBX Straight Plug, size 1, 2 solder contacts, male insert = JBXFD1G02MSSDSMR. : First choice
The protective boot need to be ordered separately, see page accessories.

(1): In order to get a black Chrome over Nickel please replace «S» before the «D» by one «N». Example: JBX Straight Plug, size 1, 2 solder contacts, male insert = JBXFD1G02MSNDSR.

JBX1-02 - IP40 (2 x Ø 1.3 mm)

Dimensions (For mated connector lengths see page 29)



Note: all dimensions are in mm

JBX1-02 - IP40 (2 x Ø 1.3 mm)

Accessories

Receptacle Dust Cap




Part number
JBXBR1

Plug Dust Cap




Part number
JBXBF1

Grounding Washer



Part number
JAXRA1251

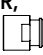
Insulating Washer




Part number	Color
JBX1RIA	Blue
JBX1RIB	White
JBX1RIG	Grey
JBX1RIJ	Yellow
JBX1RIM	Brown
JBX1RIN	Black
JBX1RIR	Red
JBX1RIV	Green
JBX1RIO	Orange

Note : Insulating washers are not compatible with the IP68 versions

Protective Boot

Available only for PC - FC - FD - SR,
with back nut protective boot 



Part number	Color
JBX1MPA	Blue
JBX1MPB	White
JBX1MPG	Grey
JBX1MPJ	Yellow
JBX1MPM	Brown
JBX1MPN	Black
JBX1MPR	Red
JBX1MPV	Green
JBX1MPO	Orange

The overall length is 21 mm longer with the protective boot.
Note: The protective boot is not a sealing element.


Tooling

Crimp Tooling



Part number
MIL-22520/7-01

Locator



Part number	
Male	Female
JBX10UTLP13	JBX10UTLS13

Extraction Tool



Part number
JBXOUTDC13

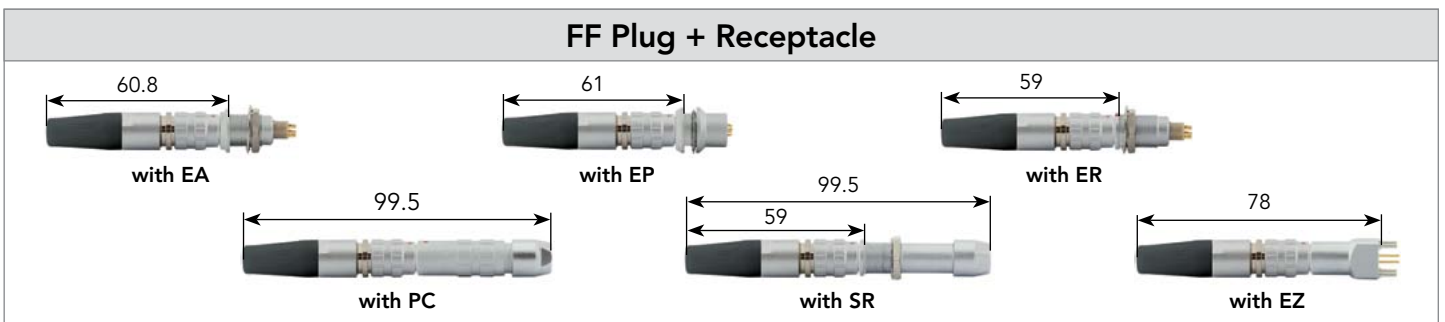
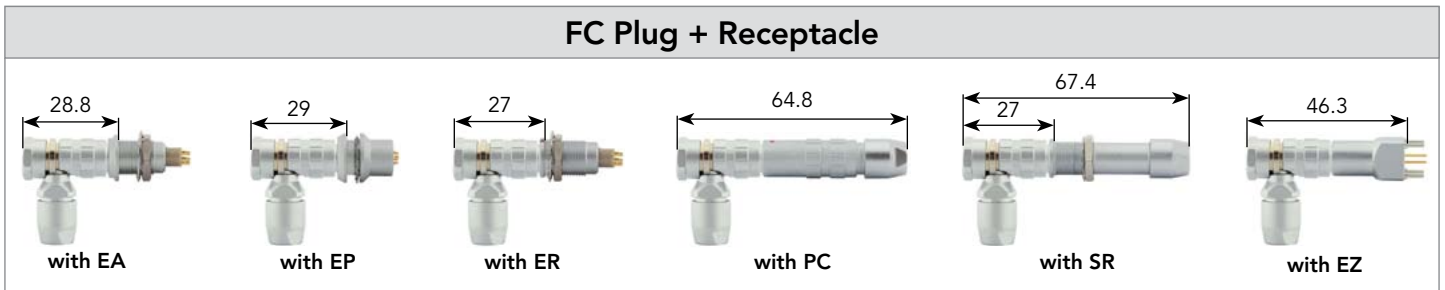
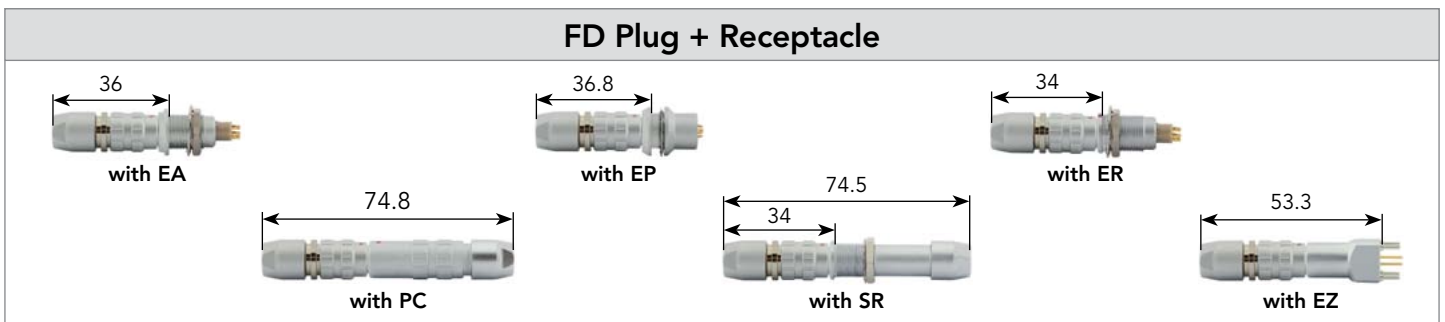
JBX1-02 - IP40 (2 x Ø 1.3 mm)

Contacts

Ø 1.3 mm	Contact type	Plating	Contact locking type	AWG
Solder	Machined	0.5 µm gold over 3 to 5 µm Ni	Removable	20
Crimp	Machined	0.5 µm gold over 3 to 5 µm Ni	Removable	18 - 20 - 22
Straight PCB	Machined	0.5 µm gold over 3 to 5 µm Ni	Fixed	-

For more information see pages 231 to 233

Mated Connector Length

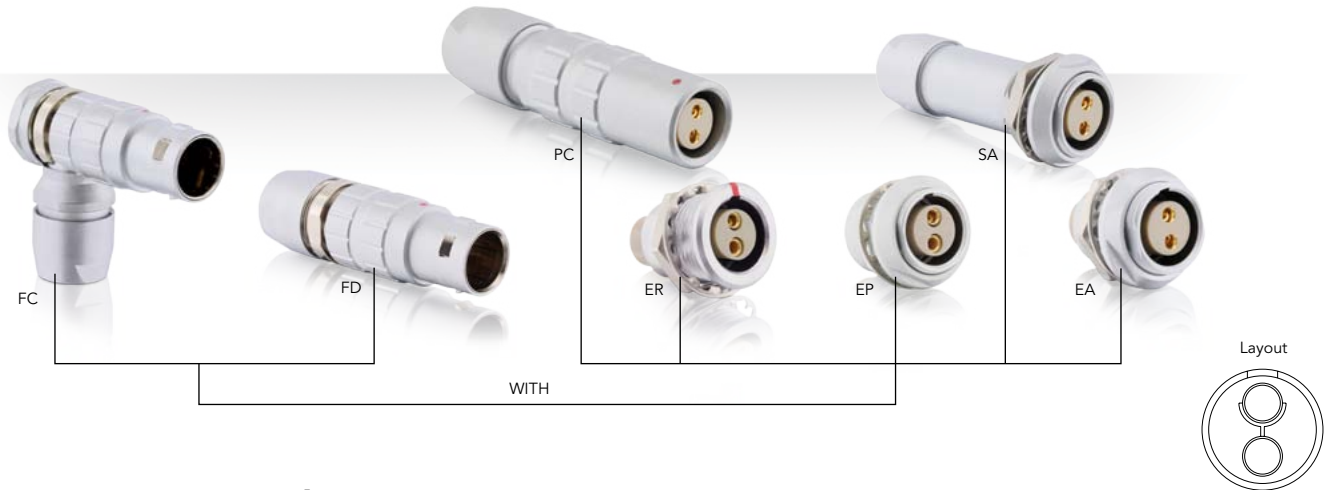


Electrical Characteristics

UL
15A 760V UL94 V-0

Note: all dimensions are in mm

JBX2-02 - IP40 (2 x Ø 2.0 mm) - See waterproof IP67/IP68 version page 32



Connector Part Number

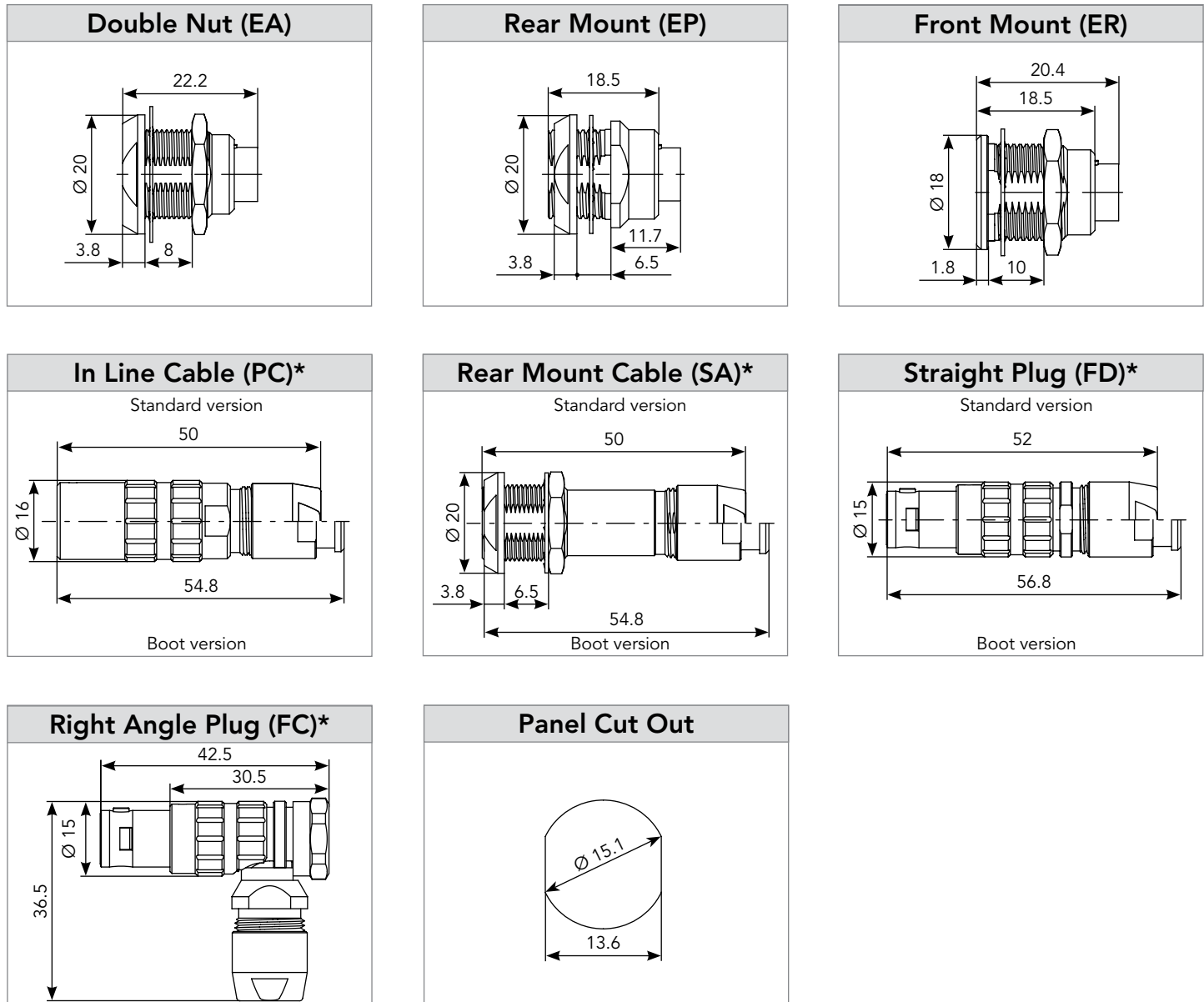
Contact type	Connector type	Description	Part number ⁽¹⁾	
			Male insert	Female insert
Solder contacts see page 35	Receptacle	Double nut (EA)	JBXEA2G02MSSDS	JBXEA2G02FSSDS
		Rear mount (EP)	JBXEP2G02MSSDS	JBXEP2G02FSSDS
		Front mount (ER)	JBXER2G02MSSDSR	JBXER2G02FSSDSR
		In line cable (PC) *	JBXPC2G02MSSDSR	JBXPC2G02FSSDSR
	Plug	Straight plug (FD) *	JBXFD2G02MSSDSR	JBXFD2G02FSSDSR
Crimp contacts see page 35	Receptacle	Double nut (EA)	JBXEA2G02MCSDS	JBXEA2G02FCSDS
		Rear mount (EP)	JBXEP2G02MCSDS	JBXEP2G02FCSDS
		Front mount (ER)	JBXER2G02MCSDSR	JBXER2G02FCSDSR
		In line cable (PC) *	JBXPC2G02MCSDSR	JBXPC2G02FCSDSR
		Rear mount cable (SA) *	JBXSA2G02MCSDS	JBXSA2G02FCSDS
	Plug	Right angle plug (FC) *	JBXFC2G02MCSDSR	JBXFC2G02FCSDSR
		Straight plug (FD) *	JBXFD2G02MCSDSR	JBXFD2G02FCSDSR

* In order to get the back nut for protective boot please add «M» after the last «S». Example: JBX Straight Plug, size 2, 2 solder contacts, male insert = JBXFD2G02MSSDSMR. ■ : First choice
The protective boot need to be ordered separately, see page accessories.

(1): In order to get a black Chrome over Nickel please replace «S» before the «D» by one «N». Example: JBX Straight Plug, size 2, 2 solder contacts, male insert = JBXFD2G02MSNDSR.

JBX2-02 - IP40 (2 x Ø 2.0 mm) - See waterproof IP67/IP68 version page 32

Dimensions (For mated connector lengths see page 35)



Note: all dimensions are in mm

JBX2-02 - IP68 (2 x Ø 2.0 mm) - See non sealed IP40 version page 30



Connector Part Number

Contact type	Connector type	Description	Part number ⁽¹⁾	
			Male insert	Female insert
Solder contacts see page 35	Receptacle	Double nut, front or rear mount (EC)	JBXEC2G02MSSDS	JBXEC2G02FSSDS
		Front mount extended (HH) ☁	JBXHH2G02MSSDSR	JBXHH2G02FSSDSR
	Plug	Straight plug (FH) *	JBXFH2G02MSSDSR	JBXFH2G02FSSDSR
Crimp contacts see page 35	Receptacle	Double nut, front or rear mount (EC)	JBXEC2G02MCSDS	JBXEC2G02FCSDS
		Front mount extended (HH)	JBXHH2G02MCSDSR	JBXHH2G02FCSDSR
	Plug	Straight plug (FH) *	JBXFH2G02MCSDSR	JBXFH2G02FCSDSR

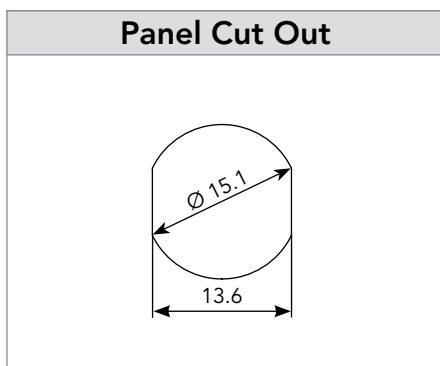
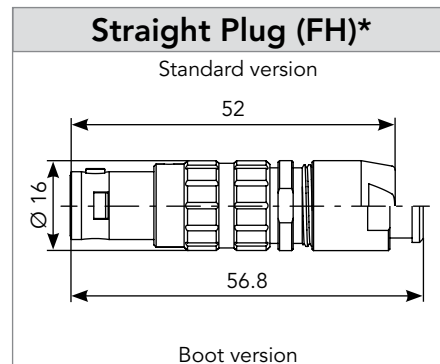
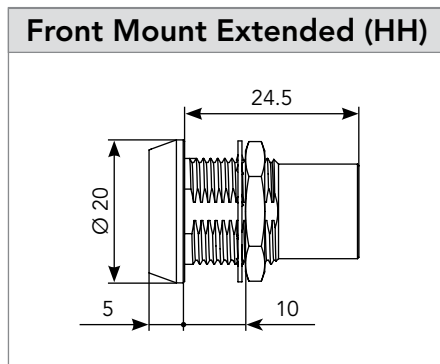
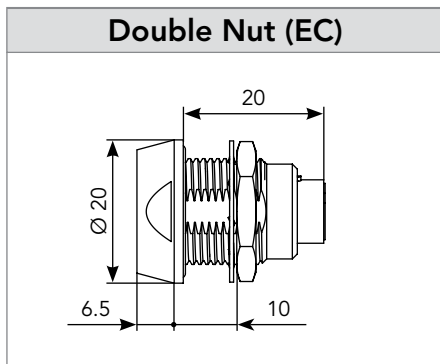
* In order to get the back nut for protective boot please add «M» after the last «S». Example: JBX Straight Plug, size 2, 2 solder contacts, male insert = JBXFH2G02MSSDSMR. The protective boot need to be ordered separately, see page accessories.

1: In order to get a black Chrome over Nickel please replace «S» before the «D» by one «N». Example: JBX Straight Plug, size 2, 2 solder contacts, male insert = JBXFH2G02MSNDSR.

☁ : Sealed in Unmated Condition

JBX2-02 - IP67/IP68 (2 x Ø 2.0 mm) - See non sealed IP40 version page 30

Dimensions (For mated connector lengths see page 35)



Note: all dimensions are in mm

JBX2-02 - IP40 & IP68 (2 x Ø 2.0 mm)

Accessories

Receptacle Dust Cap




Part number
JBXBR2

Plug Dust Cap




Part number
JBXBF2

Grounding Washer



Part number
JAXRA2252

Insulating Washer



Part number	Color
JBX2RIA	Blue
JBX2RIB	White
JBX2RIG	Grey
JBX2RIJ	Yellow
JBX2RIM	Brown
JBX2RIN	Black
JBX2RIR	Red
JBX2RIV	Green
JBX2RIO	Orange

Note : Insulating washers are not compatible with the IP68 versions

Protective Boot

Available only for PC - FC - FD - SA - FH, with back nut protective boot 



Part number	Color
JBX2MPA	Blue
JBX2MPB	White
JBX2MPG	Grey
JBX2MPJ	Yellow
JBX2MPM	Brown
JBX2MPN	Black
JBX2MPR	Red
JBX2MPV	Green
JBX2MPO	Orange

The overall length is 25 mm longer with the protective boot.
Note: The protective boot is not a sealing element.

Tooling

Crimp Tooling



Part number
MIL-22520/1-01

Locator



Part number
JBX2OUTLP20

Extraction Tool



Part number
JBXOUTDC20

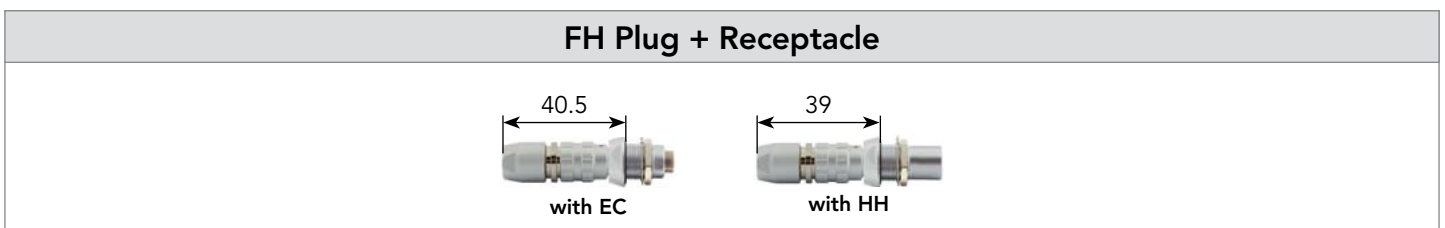
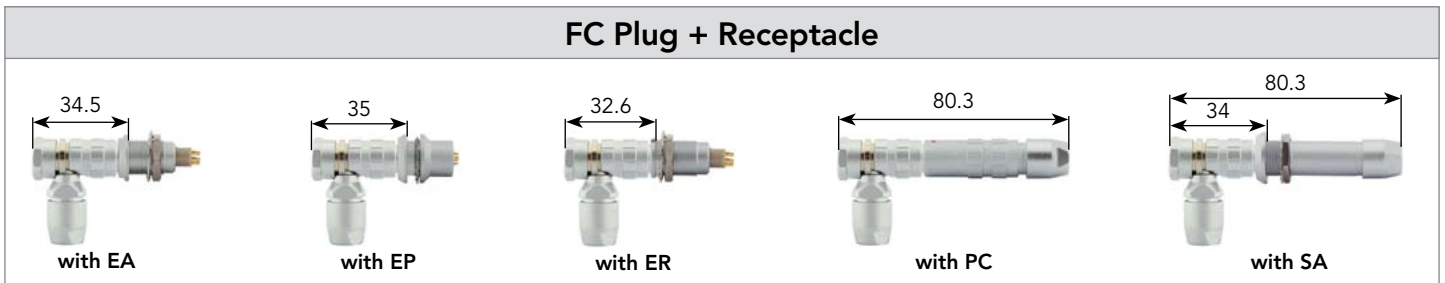
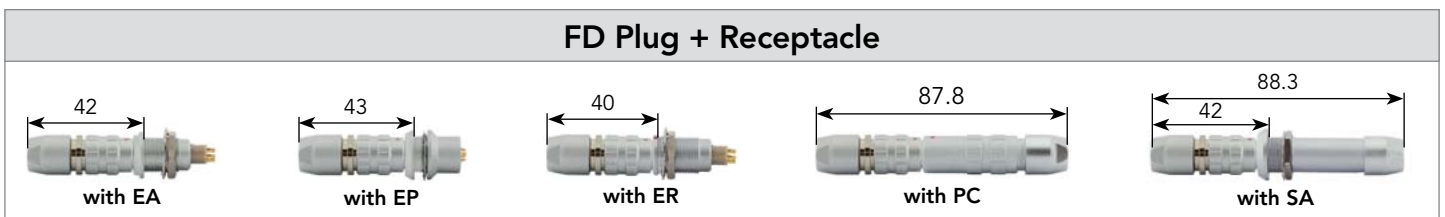
JBX2-02 - IP40 & IP68 (2 x Ø 2.0 mm)

Contacts

Ø 2.0 mm	Contact type	Plating	Contact locking type	AWG
Solder	Machined	0.5 µm gold over 3 to 5 µm Ni	Removable	16
Crimp	Machined	0.5 µm gold over 3 to 5 µm Ni	Removable	12 - 14 - 16

For more information see pages 231 to 232

Mated Connector Length

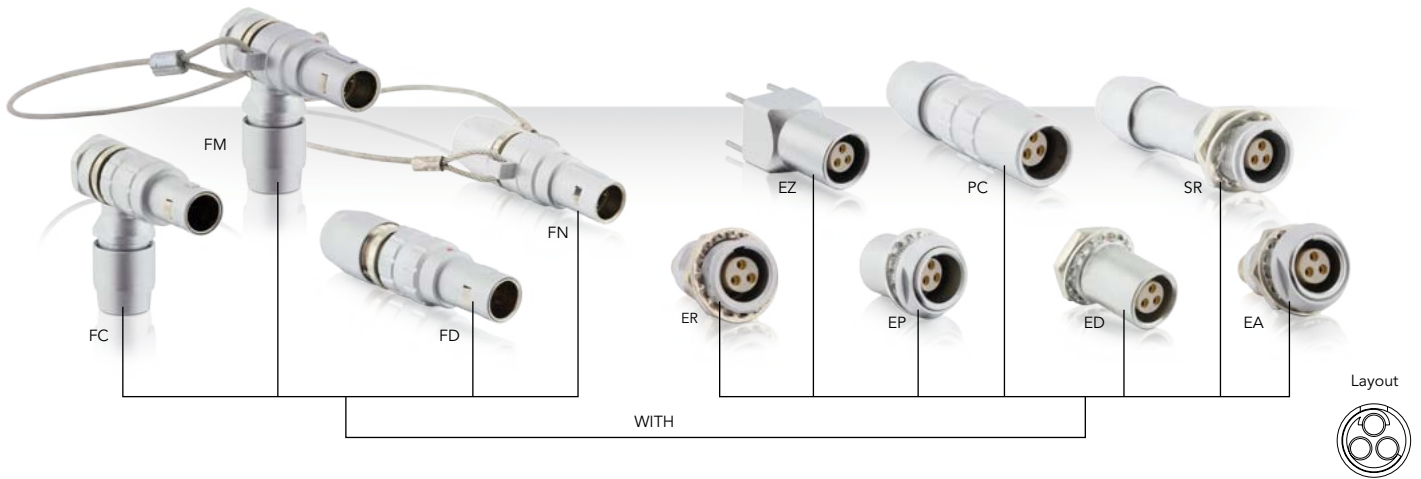


Electrical Characteristics

UL
30A 1,000V UL94 V-0

Note: all dimensions are in mm

JBX0-03 - IP40 (3 x Ø 0.9 mm) - See waterproof IP68 version page 38



Connector Part Number

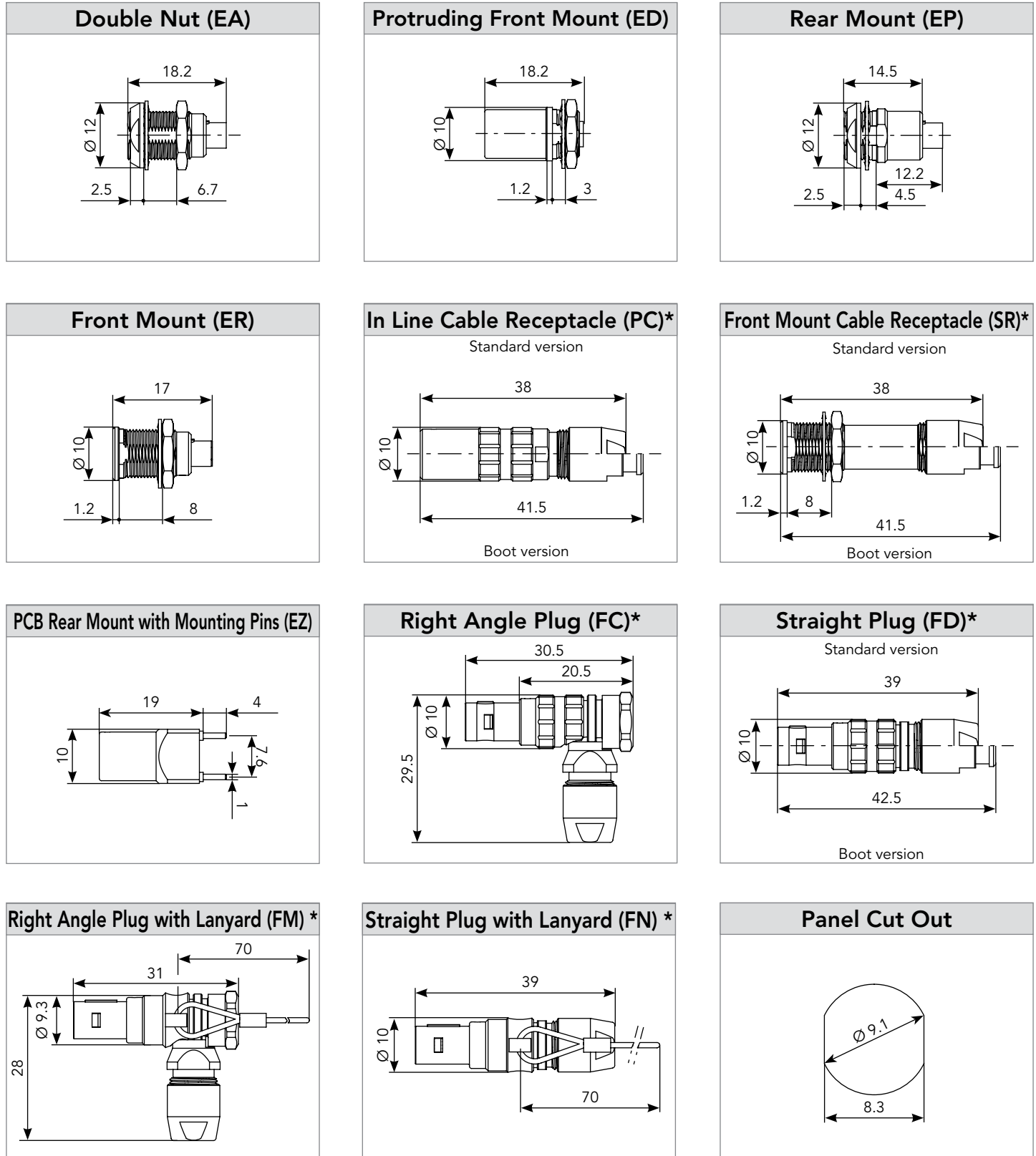
Contact type	Connector type	Description	Part number ⁽¹⁾	
			Male insert	Female insert
Solder contacts see page 41	Receptacle	Double nut (EA)	JBXEA0G03MSSDS	JBXEA0G03FSSDS
		Protruding front mount (ED)	JBXED0G03MSSDSR	JBXED0G03FSSDSR
		Rear mount (EP)	JBXEP0G03MSSDS	JBXEP0G03FSSDS
		Front mount (ER)	JBXER0G03MSSDSR	JBXER0G03FSSDSR
		In line cable (PC) *	JBXPC0G03MSSDSR	JBXPC0G03FSSDSR
	Plug	Right angle plug (FC) *	JBXFC0G03MSSDSR	JBXFC0G03FSSDSR
		Straight plug (FD) *	JBXFD0G03MSSDSR	JBXFD0G03FSSDSR
		Right Angle plug with lanyard (FM) *	JBXFM0G03MSSDSR	JBXFM0G03FSSDSR
Crimp contacts see page 41	Receptacle	Double nut (EA)	JBXEA0G03MCSDS	JBXEA0G03FCSDS
		Protruding front mount (ED)	JBXED0G03MCSDSR	JBXED0G03FCSDSR
		Rear mount (EP)	JBXEP0G03MCSDS	JBXEP0G03FCSDS
		Front mount (ER)	JBXER0G03MCSDSR	JBXER0G03FCSDSR
		In line cable (PC) *	JBXPC0G03MCSDSR	JBXPC0G03FCSDSR
	Plug	Front mount cable (SR) *	JBXSR0G03MCSDSR	JBXSR0G03FCSDSR
		Right angle plug (FC) *	JBXFC0G03MCSDSR	JBXFC0G03FCSDSR
		Straight plug (FD) *	JBXFD0G03MCSDSR	JBXFD0G03FCSDSR
Straight PCB contacts see page 41	Receptacle	Double nut (EA)	-	JBXEA0G03FPSDS
		Rear mount (EP)	-	JBXEP0G03FPSDS
		PCB rear mount with mounting pins (EZ)	-	JBXEZ0G03FPSDSR
90° PCB contacts see page 41	Receptacle	Double nut (EA)	-	JBXEA0G03FQSDS
		Protruding front mount (ED)	-	JBXED0G03FQSDSR
		Rear mount (EP)	-	JBXEP0G03FQSDS

* In order to get the back nut for protective boot please add «M» after the last «S». Example: JBX Straight Plug, size 0, 3 solder contacts, male insert = JBXFD0G03MSSDSMR. : First choice
The protective boot need to be ordered separately, see page accessories.

(1): In order to get a black Chrome over Nickel please replace «S» before the «D» by one «N». Example: JBX Straight Plug, size 0, 3 solder contacts, male insert = JBXFD0G03MSNDSR.

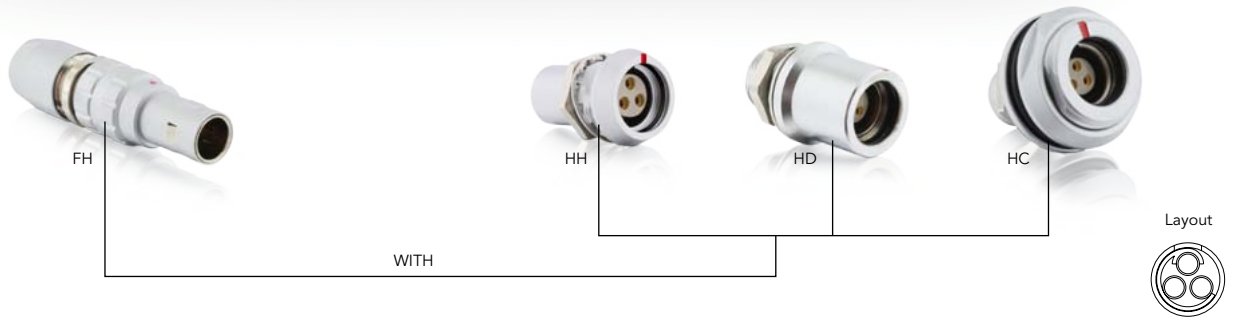
JBX0-03 - IP40 (3 x Ø 0.9 mm) - See waterproof IP68 version page 38

Dimensions (For mated connector lengths see page 41)



Note: all dimensions are in mm

JBX0-03 - IP68 (3 x Ø 0.9 mm) - See non sealed IP40 version page 36



Connector Part Number

Contact type	Connector type	Description	Part number ⁽¹⁾	
			Male insert	Female insert
Solder contacts see page 41	Receptacle	Rear mount (HC) ☁	JBXHC0G03MSSDSR	JBXHC0G03FSSDSR
		Protruding front mount (HD) ☁	JBXHD0G03MSSDSR	JBXHD0G03FSSDSR
		Front mount extended (HH) ☁	JBXHH0G03MSSDSR	JBXHH0G03FSSDSR
	Plug	Straight plug (FH) *	JBXFH0G03MSSDSR	JBXFH0G03FSSDSR
Crimp contacts see page 41	Receptacle	Protruding front mount (HD)	JBXHD0G03MCSDSR	JBXHD0G03FCSDSR
		Front mount extended (HH)	JBXHH0G03MCSDSR	JBXHH0G03FCSDSR
	Plug	Straight plug (FH) * ☁	JBXFH0G03MCSDSR	JBXFH0G03FCSDSR
Straight PCB contacts see page 41	Receptacle	Rear mount (HC) ☁	-	JBXHC0G03FPSDSR

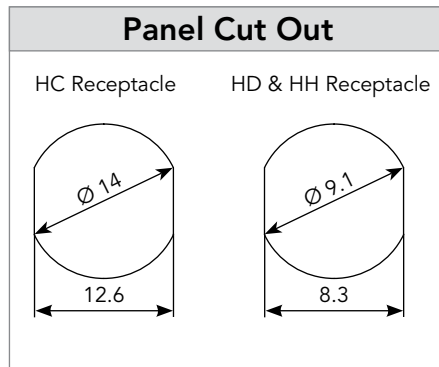
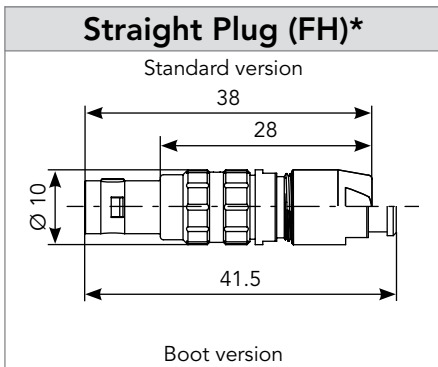
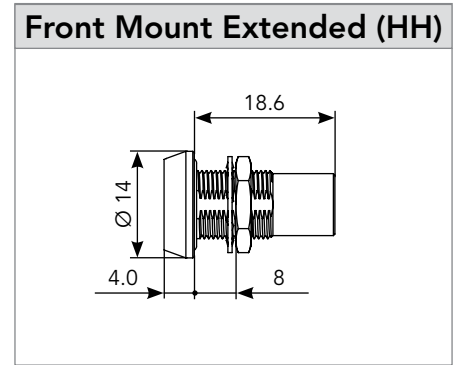
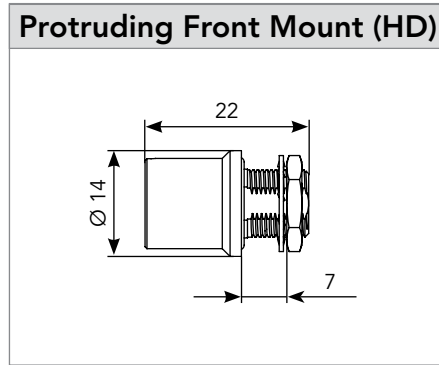
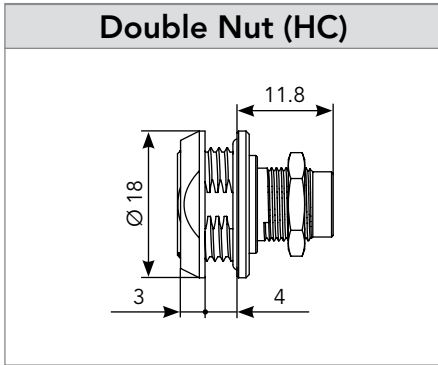
* In order to get the back nut for protective boot please add «M» after the last «S». Example: JBX Straight Plug, size 0, 3 solder contacts, male insert = JBXFH0G03MSSDSMR. ☐ : First choice
 The protective boot need to be ordered separately, see page accessories.

1: In order to get a black Chrome over Nickel please replace «S» before the «D» by one «N». Example: JBX Straight Plug, size 0, 3 solder contacts, male insert = JBXFH0G03MSNDSR.

☁ : Sealed in Unmated Condition

JBX0-03 - IP68 (3 x Ø 0.9 mm) - See non sealed IP40 version page 36

Dimensions (For mated connector lengths see page 41)



Note: all dimensions are in mm

JBX0-03 - IP40 & IP68 (3 x Ø 0.9 mm)

Accessories

Receptacle Dust Cap




Part number
JBXBRØ

Plug Dust Cap




Part number
JBXBFØ

Grounding Washer



Part number
JAXRAØ251

Insulating Washer



Part number	Color
JBXØRIA	Blue
JBXØRIB	White
JBXØRIG	Grey
JBXØRIJ	Yellow
JBXØRIM	Brown
JBXØRIN	Black
JBXØRIR	Red
JBXØRIV	Green
JBXØRIO	Orange

Note : Insulating washers are not compatible with the IP68 versions

Protective Boot

Available only for PC - FC - FD - FM - FN - SR - FH, with back nut protective boot 



Part number	Color
JBXØMPA	Blue
JBXØMPB	White
JBXØMPG	Grey
JBXØMPJ	Yellow
JBXØMPM	Brown
JBXØMPN	Black
JBXØMPR	Red
JBXØMPV	Green
JBXØMPO	Orange

The overall length is 17 mm longer with the protective boot.
Note: The protective boot is not a sealing element.


Tooling

Crimp Tooling



Part number
MIL-22520/7-01

Locator



Part number	
Male	Female
JBXØOUTLPØ9	JBXØOUTLSØ9

Extraction Tool



Part number
JBXOUTDCØ9

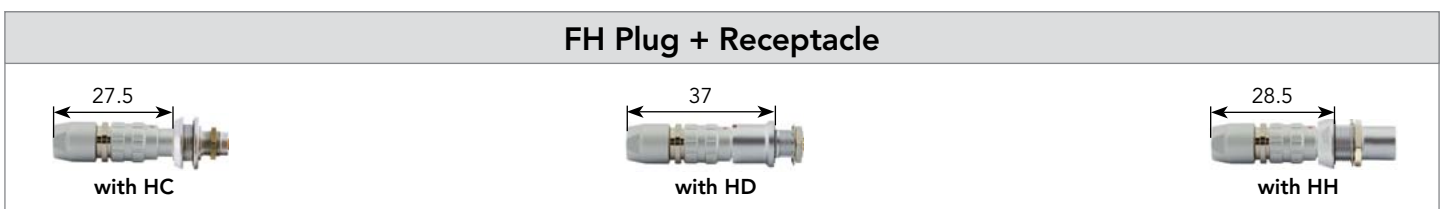
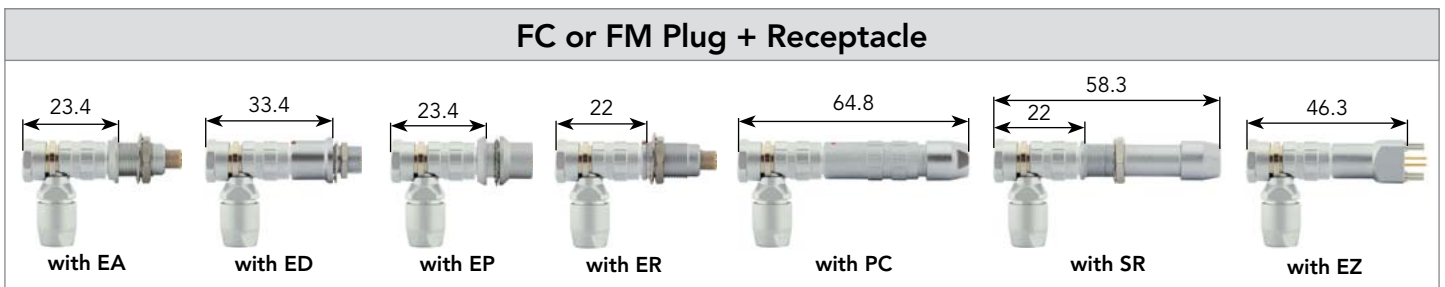
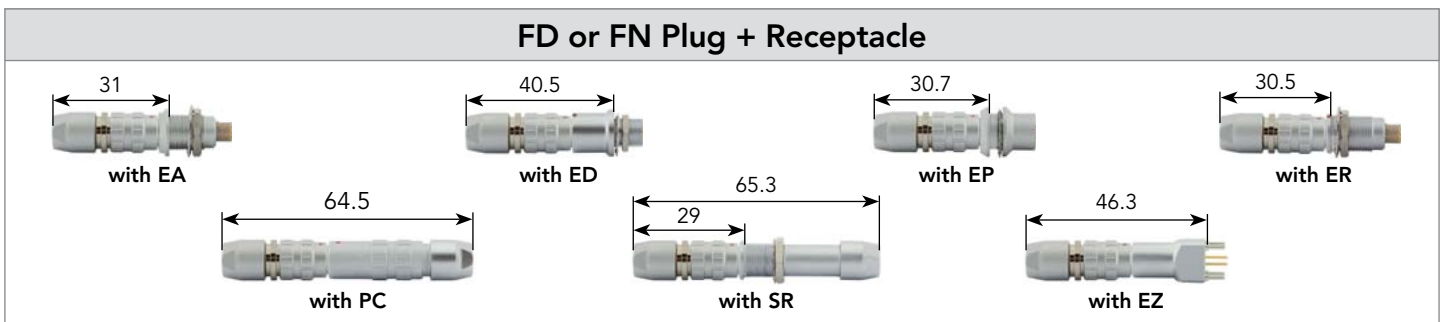
JBX0-03 - IP40 & IP68 (3 x Ø 0.9 mm)

Contacts

Ø 0.9 mm	Contact type	Plating	Contact locking type	AWG
Solder	Machined	0.5 µm gold over 3 to 5 µm Ni	Removable	24
Crimp	Machined	0.5 µm gold over 3 to 5 µm Ni	Removable	20 - 22 - 24
Straight PCB	Machined	0.5 µm gold over 3 to 5 µm Ni	Fixed	-
90° PCB	Machined	0.5 µm gold over 3 to 5 µm Ni	Removable	-

For more information see pages 231 to 234

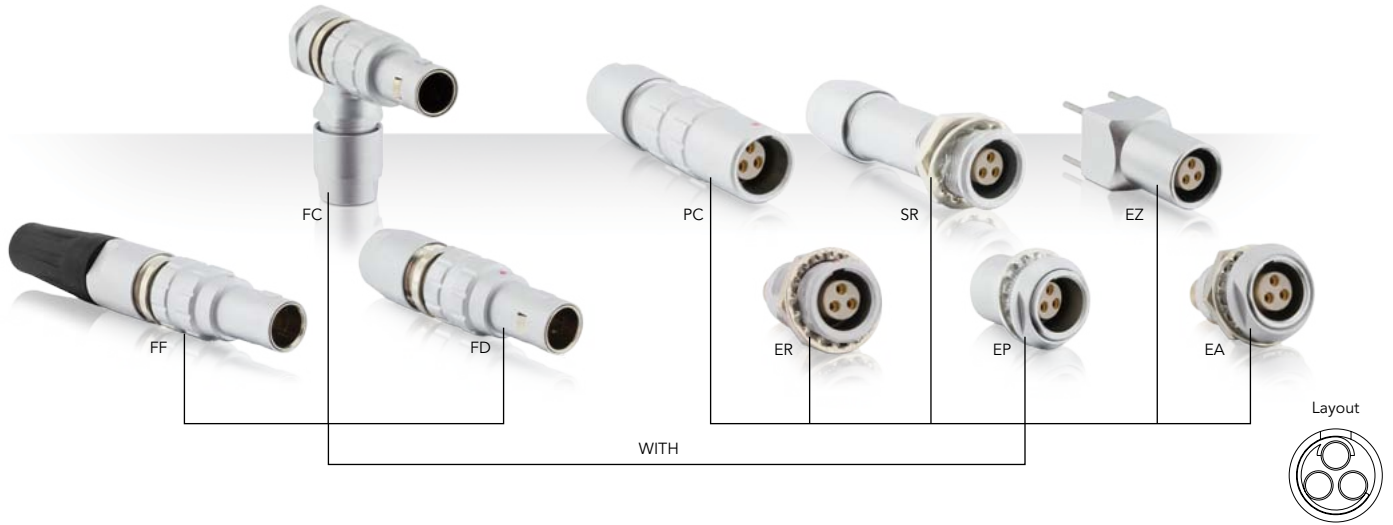
Mated Connector Length



Electrical Characteristics
<p>UL 8A 600V UL94 V-0</p>

Note: all dimensions are in mm

JBX1-03 - IP40 (3 x Ø 1.3 mm)



Connector Part Number

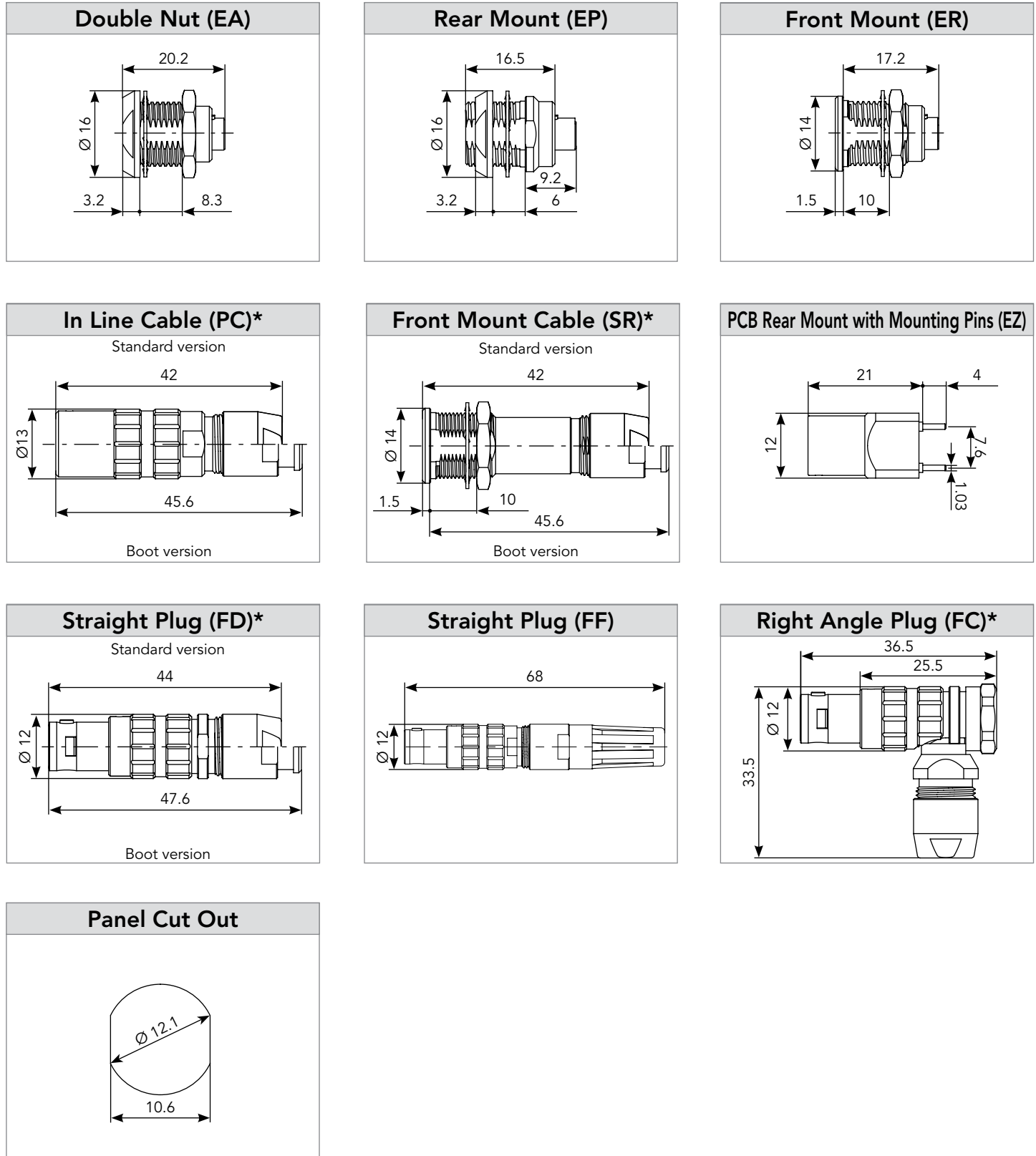
Contact type	Connector type	Description	Part number ⁽¹⁾	
			Male insert	Female insert
Solder contacts see page 45	Receptacle	Double nut (EA)	JBXEA1G03MSSDS	JBXEA1G03FSSDS
		Rear mount (EP)	JBXEP1G03MSSDS	JBXEP1G03FSSDS
		Front mount (ER)	JBXER1G03MSSDSR	JBXER1G03FSSDSR
		In line cable (PC) *	JBXPC1G03MSSDSR	JBXPC1G03FSSDSR
		Front mount cable (SR) *	JBXSR1G03MSSDSR	JBXSR1G03FSSDSR
	Plug	Straight plug (FD) *	JBXFD1G03MSSDSR	JBXFD1G03FSSDSR
Straight plug no latch with black protective boot (FF)		JBXFF1G03MSSDSR	JBXFF1G03FSSDSR	
Crimp contacts see page 45	Receptacle	Double nut (EA)	JBXEA1G03MCSDS	JBXEA1G03FCSDS
		Front mount (ER)	JBXER1G03MCSDSR	JBXER1G03FCSDSR
		In line cable (PC) *	JBXPC1G03MCSDSR	JBXPC1G03FCSDSR
	Plug	Right angle plug (FC) *	JBXFC1G03MCSDSR	JBXFC1G03FCSDSR
		Straight plug (FD) *	JBXFD1G03MCSDSR	JBXFD1G03FCSDSR
Straight PCB contacts see page 45	Receptacle	Double nut (EA)	-	JBXEA1G03FPSDS
		Front mount (ER)	-	JBXER1G03FPSDSR
		PCB rear mount with mounting pins (EZ)	-	JBXEZ1G03FPSDSR
90° PCB contacts see page 45	Receptacle	Double nut (EA)	-	JBXEA1G03FQSDS
		Rear mount (EP)	-	JBXEP1G03FQSDS

* In order to get the back nut for protective boot please add «M» after the last «S». Example: JBX Straight Plug, size 1, 3 solder contacts, male insert = JBXFD1G03MSSDSMR. : First choice
The protective boot need to be ordered separately, see page accessories.

(1): In order to get a black Chrome over Nickel please replace «S» before the «D» by one «N». Example: JBX Straight Plug, size 1, 3 solder contacts, male insert = JBXFD1G03MSNDSR.

JBX1-03 - IP40 (3 x Ø 1.3 mm)

Dimensions (For mated connector lengths see page 45)



Note: all dimensions are in mm

JBX1-03 - IP40 (3 x Ø 1.3 mm)

Receptacle Dust Cap




Part number
JBXBR1

Plug Dust Cap




Part number
JBXBF1

Grounding Washer



Part number
JAXRA1251


Insulating Washer




Part number	Color
JBX1RIA	Blue
JBX1RIB	White
JBX1RIG	Grey
JBX1RIJ	Yellow
JBX1RIM	Brown
JBX1RIN	Black
JBX1RIR	Red
JBX1RIV	Green
JBX1RIO	Orange

Note : Insulating washers are not compatible with the IP68 versions

Protective Boot

Available only for PC - FC - FD - SR, with back nut protective boot 



Part number	Color
JBX1MPA	Blue
JBX1MPB	White
JBX1MPG	Grey
JBX1MPJ	Yellow
JBX1MPM	Brown
JBX1MPN	Black
JBX1MPR	Red
JBX1MPV	Green
JBX1MPO	Orange

The overall length is 21 mm longer with the protective boot.
Note: The protective boot is not a sealing element.


Tooling

Crimp Tooling



Part number
MIL-22520/7-01

Locator



Part number	
Male	Female
JBX10UTLP13	JBX10UTLS13

Extraction Tool



Part number
JBXOUTDC13

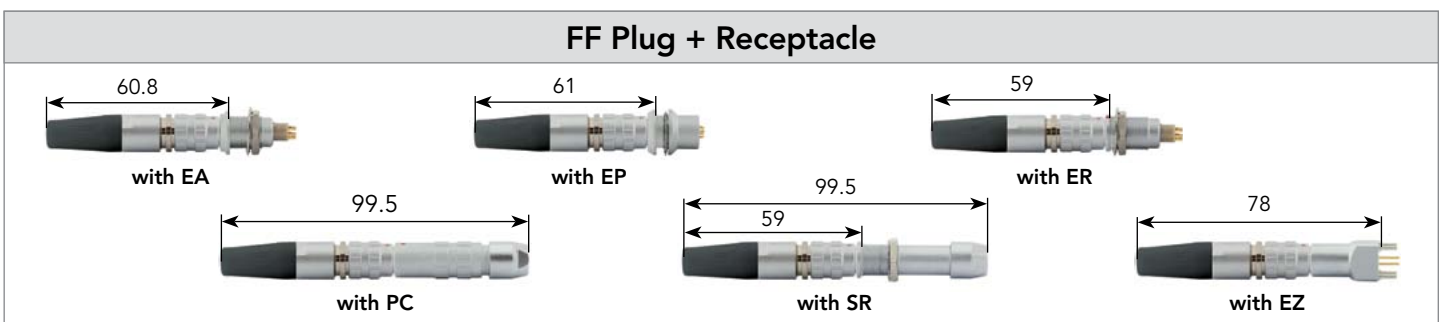
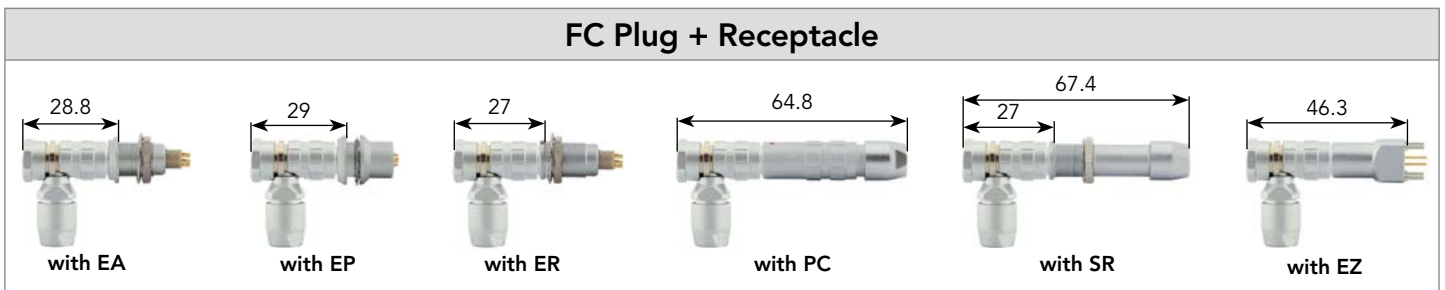
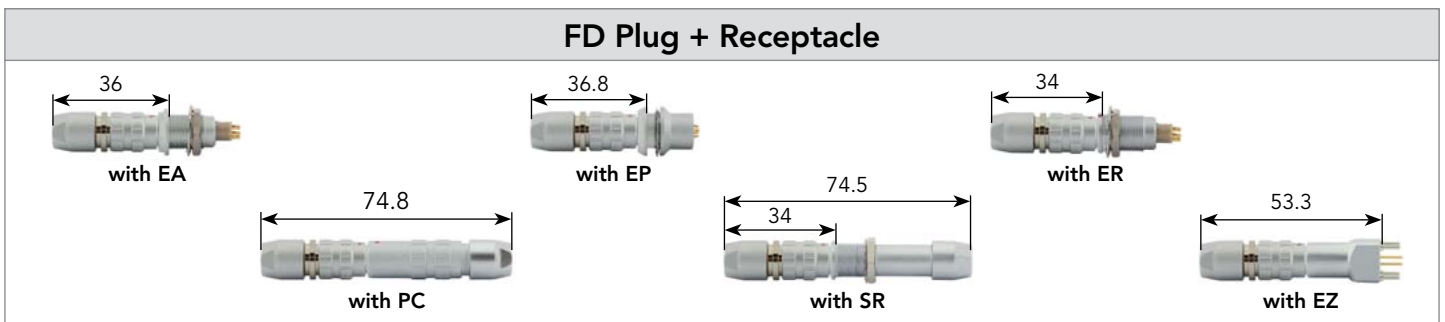
JBX1-03 - IP40 (3 x Ø 1.3 mm)

Contacts

Ø 1.3 mm	Contact type	Plating	Contact locking type	AWG
Solder	Machined	0.5 µm gold over 3 to 5 µm Ni	Removable	20
Crimp	Machined	0.5 µm gold over 3 to 5 µm Ni	Removable	18 - 20 - 22
Straight PCB	Machined	0.5 µm gold over 3 to 5 µm Ni	Fixed	-
90° PCB	Machined	0.5 µm gold over 3 to 5 µm Ni	Removable	-

For more information see pages 231 to 234

Mated Connector Length

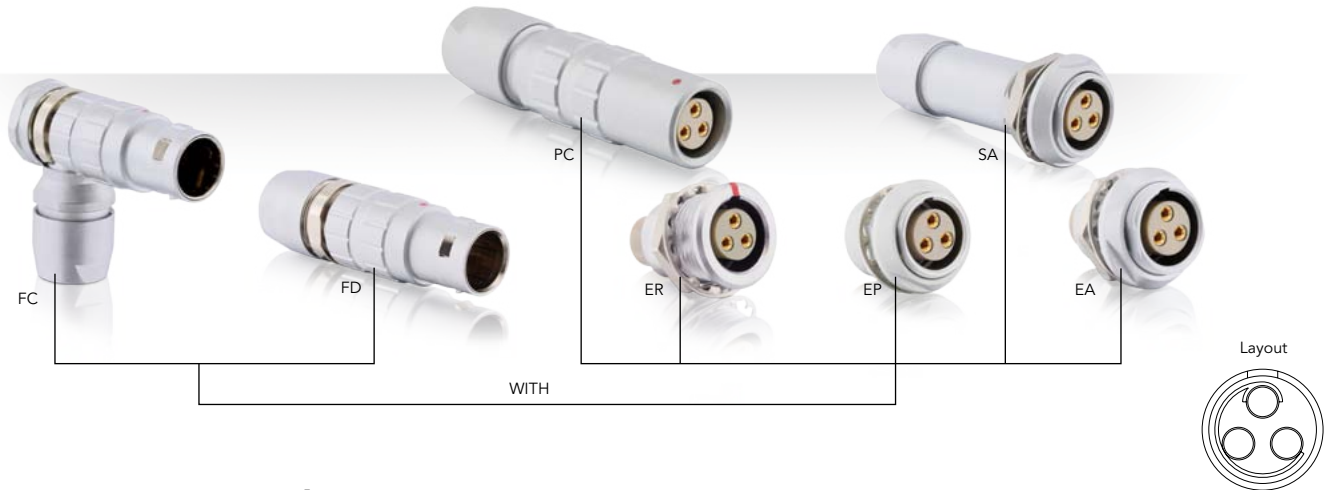


Electrical Characteristics

UL
12A 600V UL94 V-0

Note: all dimensions are in mm

JBX2-03 - IP40 (3 x Ø 1.6 mm) - See waterproof IP68 version page 48



Connector Part Number

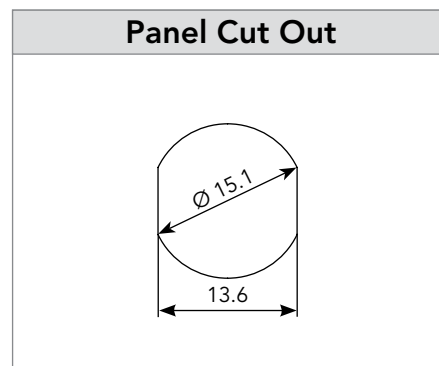
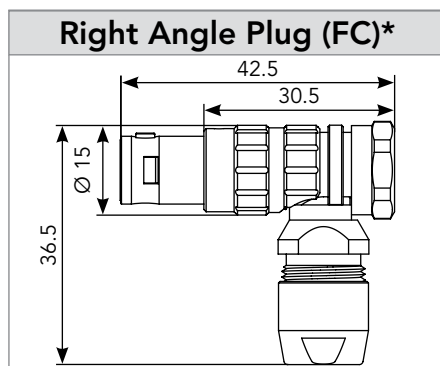
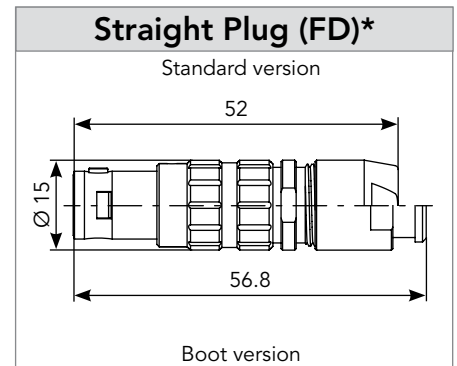
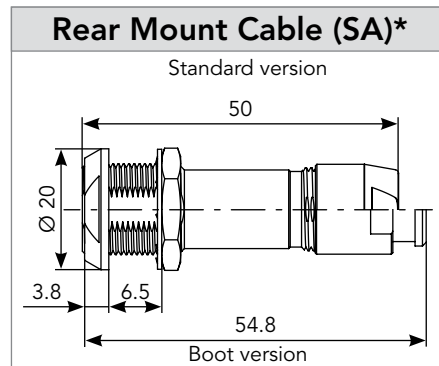
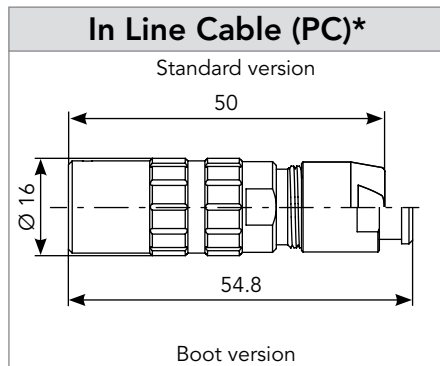
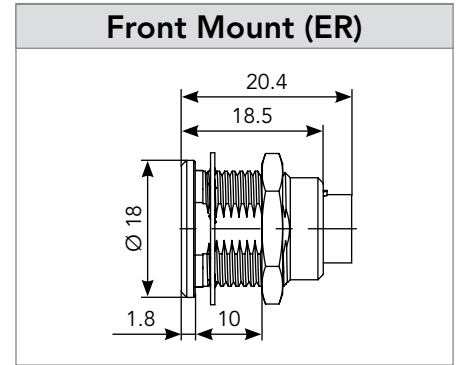
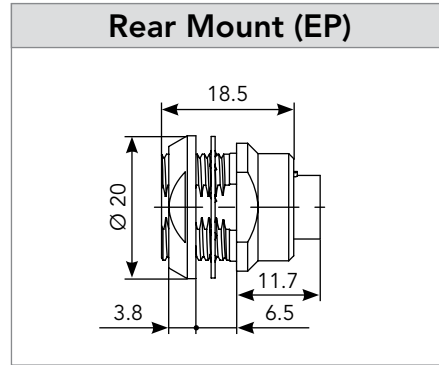
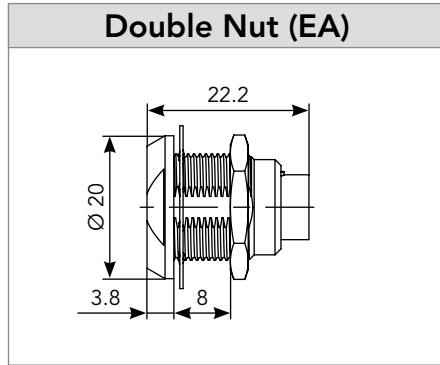
Contact type	Connector type	Description	Part number ⁽¹⁾	
			Male insert	Female insert
Solder contacts see page 51	Receptacle	Double nut (EA)	JBXEA2G03MSSDS	JBXEA2G03FSSDS
		Rear mount (EP)	JBXEP2G03MSSDS	JBXEP2G03FSSDS
		Front mount (ER)	JBXER2G03MSSDSR	JBXER2G03FSSDSR
		In line cable (PC) *	JBXPC2G03MSSDSR	JBXPC2G03FSSDSR
	Plug	Straight plug (FD) *	JBXFD2G03MSSDSR	JBXFD2G03FSSDSR
Crimp contacts see page 51	Receptacle	Double nut (EA)	JBXEA2G03MCSDS	JBXEA2G03FCSDS
		Rear mount (EP)	JBXEP2G03MCSDS	JBXEP2G03FCSDS
		Front mount (ER)	JBXER2G03MCSDSR	JBXER2G03FCSDSR
		In line cable (PC) *	JBXPC2G03MCSDSR	JBXPC2G03FCSDSR
		Rear mount cable (SA) *	JBXSA2G03MCSDS	JBXSA2G03FCSDS
	Plug	Right angle plug (FC) *	JBXFC2G03MCSDSR	JBXFC2G03FCSDSR
		Straight plug (FD) *	JBXFD2G03MCSDSR	JBXFD2G03FCSDSR

* In order to get the back nut for protective boot please add «M» after the last «S». Example: JBX Straight Plug, size 2, 3 solder contacts, male insert = JBXFD2G03MSSDSMR. ■ : First choice
The protective boot need to be ordered separately, see page accessories.

(1): In order to get a black Chrome over Nickel please replace «S» before the «D» by one «N». Example: JBX Straight Plug, size 2, 3 solder contacts, male insert = JBXFD2G03MSNDSR.

JBX2-03 - IP40 (3 x Ø 1.6 mm) - See waterproof IP68 version page 48

Dimensions (For mated connector lengths see page 51)



Note: all dimensions are in mm

JBX2-03 - IP68 (3 x Ø 1.6 mm) - See non sealed IP40 version page 46



Connector Part Number

Contact type	Connector type	Description	Part number ⁽¹⁾	
			Male insert	Female insert
Solder contacts see page 51	Receptacle	Double nut, front or rear mount (EC)	JBXEC2G03MSSDS	JBXEC2G03FSSDS
		Front mount extended (HH) ☁	JBXHH2G03MSSDSR	JBXHH2G03FSSDSR
	Plug	Straight plug (FH) *	JBXFH2G03MSSDSR	JBXFH2G03FSSDSR
Crimp contacts see page 51	Receptacle	Double nut, front or rear mount (EC)	JBXEC2G03MCSDS	JBXEC2G03FCSDS
		Front mount extended (HH)	JBXHH2G03MCSDSR	JBXHH2G03FCSDSR
	Plug	Straight plug (FH) *	JBXFH2G03MCSDSR	JBXFH2G03FCSDSR

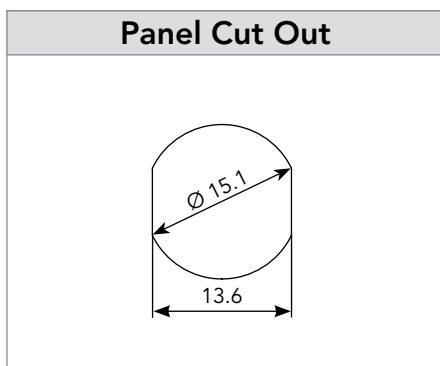
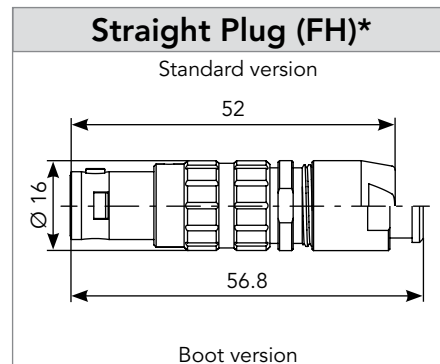
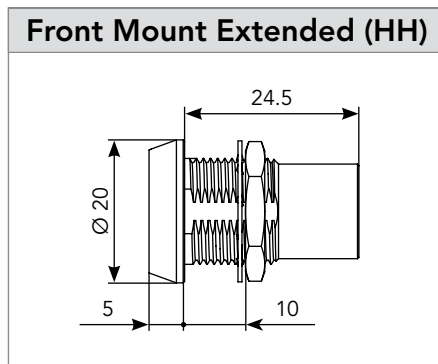
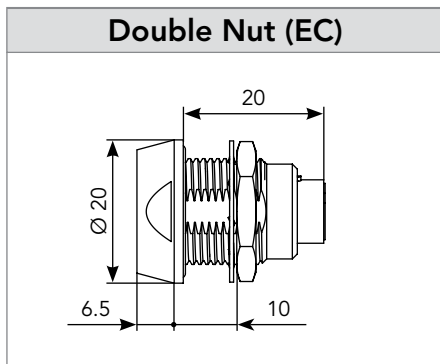
* In order to get the back nut for protective boot please add «M» after the last «S». Example: JBX Straight Plug, size 2, 3 solder contacts, male insert = JBXFH2G03MSSDSMR. The protective boot need to be ordered separately, see page accessories.

1: In order to get a black Chrome over Nickel please replace «S» before the «D» by one «N». Example: JBX Straight Plug, size 2, 3 solder contacts, male insert = JBXFH2G03MSNDSR.

☁ : Sealed in Unmated Condition

JBX2-03 - IP68 (3 x Ø 1.6 mm) - See non sealed IP40 version page 46

Dimensions (For mated connector lengths see page 51)



JBX2-03 - IP40 & IP68 (3 x Ø 1.6 mm)

Accessories

Receptacle Dust Cap




Part number
JBXBR2

Plug Dust Cap




Part number
JBXBF2

Grounding Washer



Part number
JAXRA2252

Insulating Washer



Part number	Color
JBX2RIA	Blue
JBX2RIB	White
JBX2RIG	Grey
JBX2RIJ	Yellow
JBX2RIM	Brown
JBX2RIN	Black
JBX2RIR	Red
JBX2RIV	Green
JBX2RIO	Orange

Note : Insulating washers are not compatible with the IP68 versions

Protective Boot

Available only for PC - FC - FD - SA, FH, with back nut protective boot 



Part number	Color
JBX2MPA	Blue
JBX2MPB	White
JBX2MPG	Grey
JBX2MPJ	Yellow
JBX2MPM	Brown
JBX2MPN	Black
JBX2MPR	Red
JBX2MPV	Green
JBX2MPO	Orange

The overall length is 25 mm longer with the protective boot.
Note: The protective boot is not a sealing element.

Tooling

Crimp Tooling




Part number
MIL-22520/1-01

Locator



Part number
JBX2OUTLP16

Extraction Tool



Part number
JBXOUTDC16

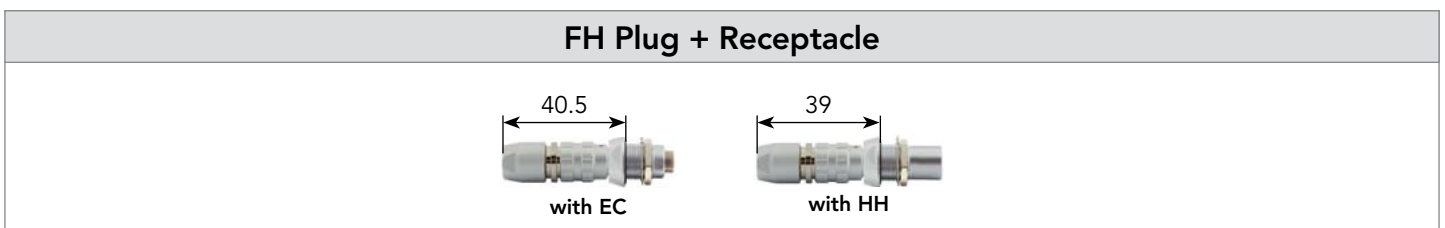
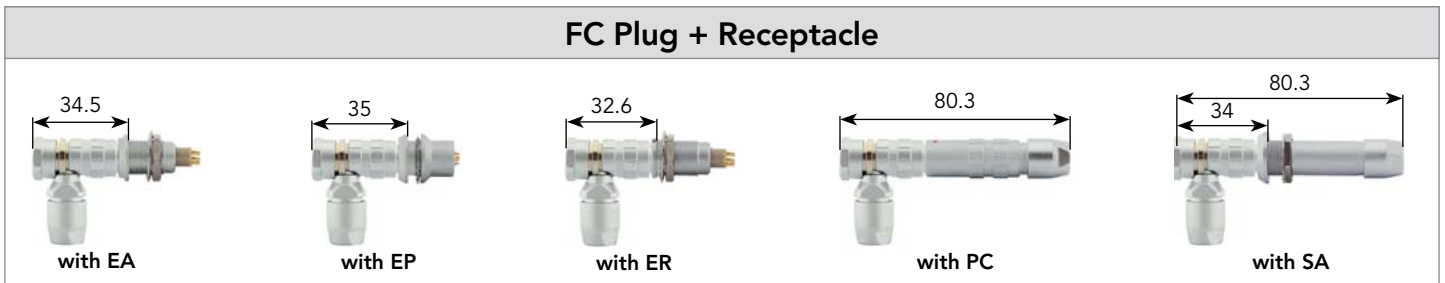
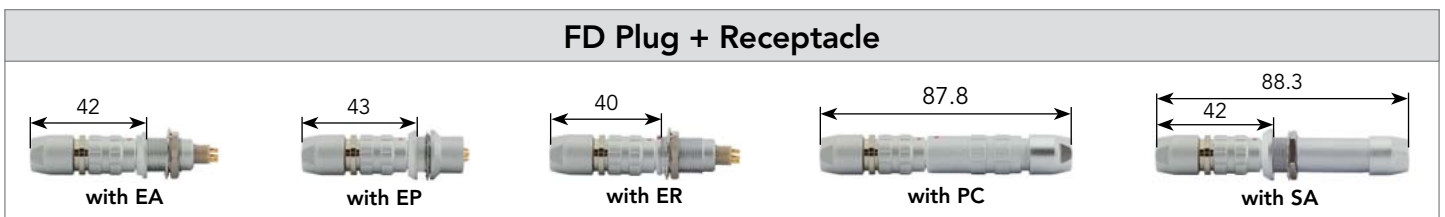
JBX2-03 - IP40 & IP68 (3 x Ø 1.6 mm)

Contacts

Ø 1.6 mm	Contact type	Plating	Contact locking type	AWG
Solder	Machined	0.5 µm gold over 3 to 5 µm Ni	Removable	18
Crimp	Machined	0.5 µm gold over 3 to 5 µm Ni	Removable	14 - 16 - 18

For more information see pages 231 to 232

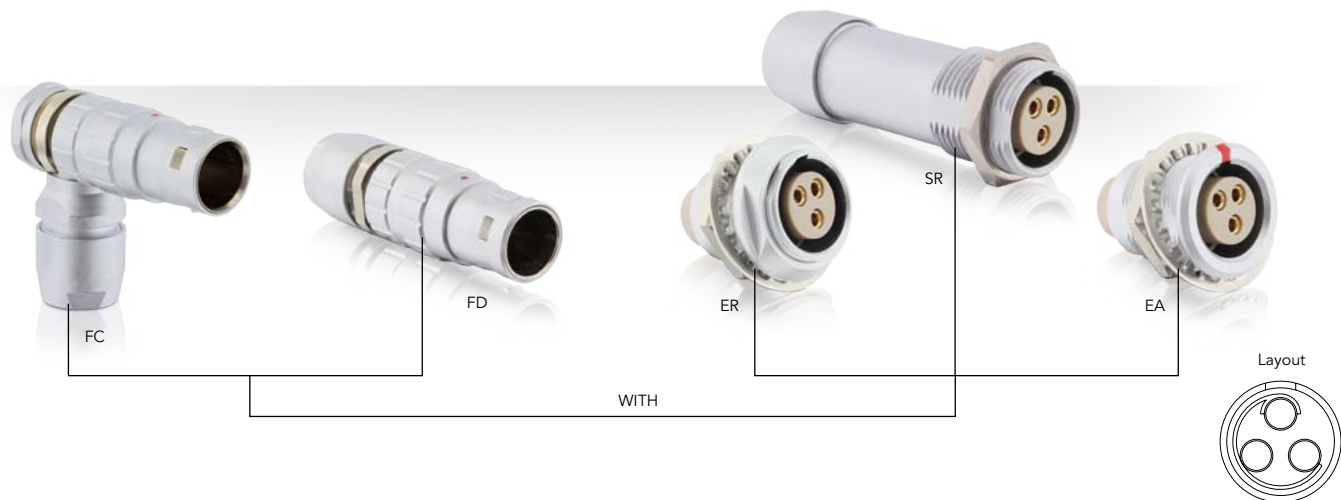
Mated Connector Length



Electrical Characteristics
<p>UL 17A 830V UL94 V-0</p>

Note: all dimensions are in mm

JBX3-03 - IP40 (3 x Ø 2.0 mm)



Connector Part Number

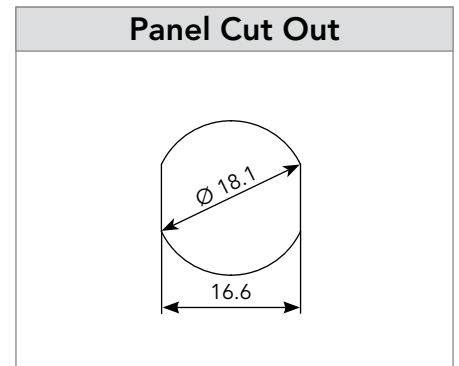
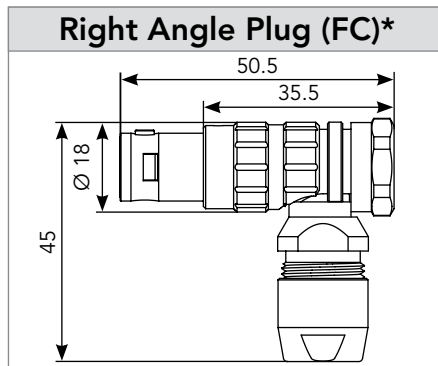
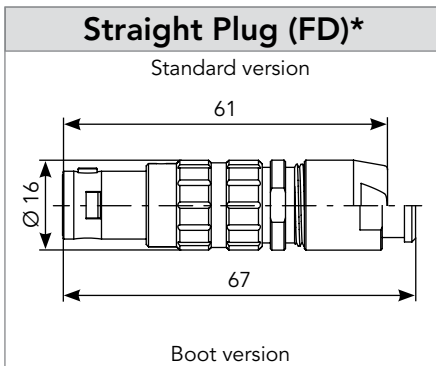
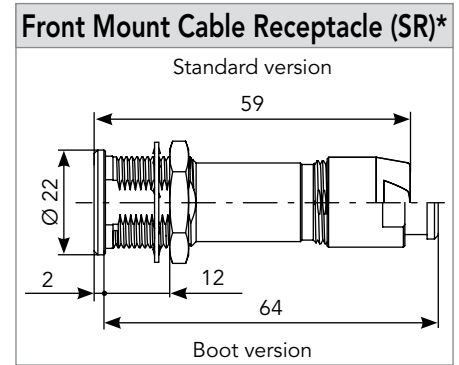
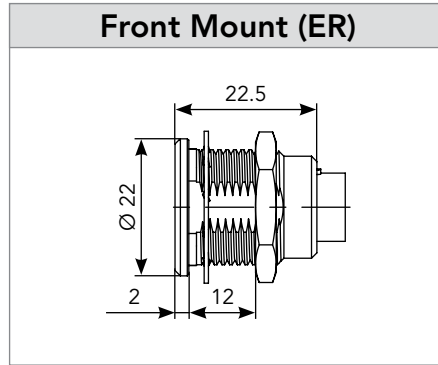
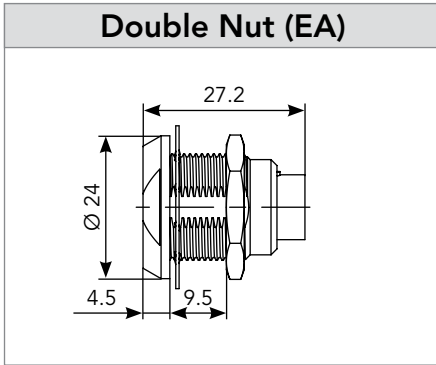
Contact type	Connector type	Description	Part number ⁽¹⁾	
			Male insert	Female insert
Solder contacts see page 55	Receptacle	Double nut (EA)	JBXEA3G03MSSDS	JBXEA3G03FSSDS
		Front mount (ER)	JBXER3G03MSSDSR	JBXER3G03FSSDSR
		Front mount cable (SR) *	JBXSR3G03MSSDSR	JBXSR3G03FSSDSR
	Plug	Straight plug (FD) *	JBXFD3G03MSSDSR	JBXFD3G03FSSDSR
Crimp contacts see page 55	Receptacle	Double nut (EA)	JBXEA3G03MCSDS	JBXEA3G03FCSDS
		Front mount (ER)	JBXER3G03MCSDSR	JBXER3G03FCSDSR
	Plug	Right angle plug (FC) *	JBXFC3G03MCSDSR	JBXFC3G03FCSDSR
		Straight plug (FD) *	JBXFD3G03MCSDSR	JBXFD3G03FCSDSR

* In order to get the back nut for protective boot please add «M» after the last «S». Example: JBX Straight Plug, size 3, 3 solder contacts, male insert = JBXFD3G03MSSDSMR. The protective boot need to be ordered separately, see page accessories.

(1): In order to get a black Chrome over Nickel please replace «S» before the «D» by one «N». Example: JBX Straight Plug, size 3, 3 solder contacts, male insert = JBXFD3G03MSNDSR.

JBX3-03 - IP40 (3 x Ø 2.0 mm)

Dimensions (For mated connector lengths see page 55)



Note: all dimensions are in mm

JBX3-03 - IP40 (3 x Ø 2.0 mm)

Accessories

Receptacle Dust Cap




Part number
JBXBR3

Plug Dust Cap




Part number
JBXBF3

Grounding Washer



Part number
JAXRA3252

Insulating Washer



Part number	Color
JBX3RIA	Blue
JBX3RIB	White
JBX3RIG	Grey
JBX3RIJ	Yellow
JBX3RIM	Brown
JBX3RIN	Black
JBX3RIR	Red
JBX3RIV	Green
JBX3RIO	Orange

Note : Insulating washers are not compatible with the IP68 versions

Protective Boot

Available only for FC - FD - SR, with back nut protective boot 



Part number	Color
JBX3MPA	Blue
JBX3MPB	White
JBX3MPG	Grey
JBX3MPJ	Yellow
JBX3MPM	Brown
JBX3MPN	Black
JBX3MPR	Red
JBX3MPV	Green
JBX3MPO	Orange

The overall length is 28.5 mm longer with the protective boot.
Note: The protective boot is not a sealing element.

Tooling

Crimp Tooling



Part number
MIL-22520/1-01

Locator



Part number
JBX3OUTLP20

Extraction Tool



Part number
JBXOUTDC20

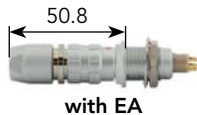
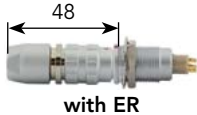
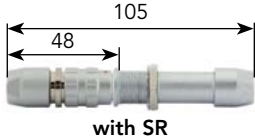


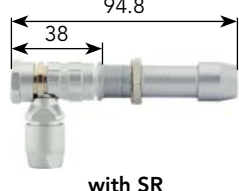
JBX3-03 - IP40 (3 x Ø 2.0 mm)

Contacts

Ø 2.0 mm	Contact type	Plating	Contact locking type	AWG
Solder	Machined	0.5 µm gold over 3 to 5 µm Ni	Removable	16
Crimp	Machined	0.5 µm gold over 3 to 5 µm Ni	Removable	12 - 14 - 16

For more information see pages 231 and 232

Mated Connector Length

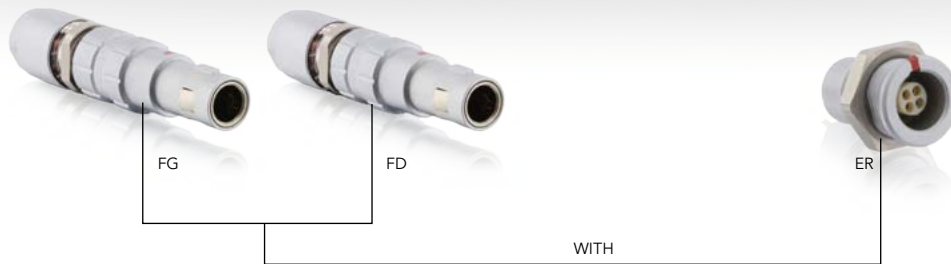
FD Plug + Receptacle		
 <p>50.8 with EA</p>	 <p>48 with ER</p>	 <p>105 48 with SR</p>
FC Plug + Receptacle		
 <p>40.8 with EA</p>	 <p>38 with ER</p>	 <p>94.8 38 with SR</p>

Connector

Electrical Characteristics
<p>UL 25A 1,600V UL94 V-0</p>

Note: all dimensions are in mm

JBX00-04 - IP40 (4 x Ø 0.5mm)



Layout



Connector IP40 Part Number

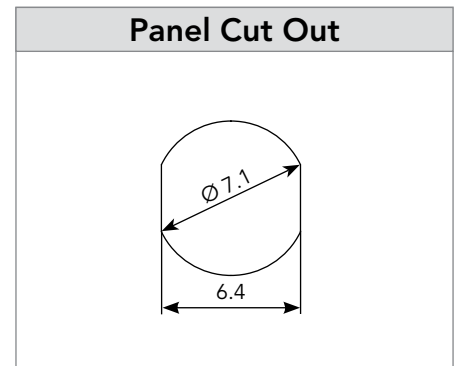
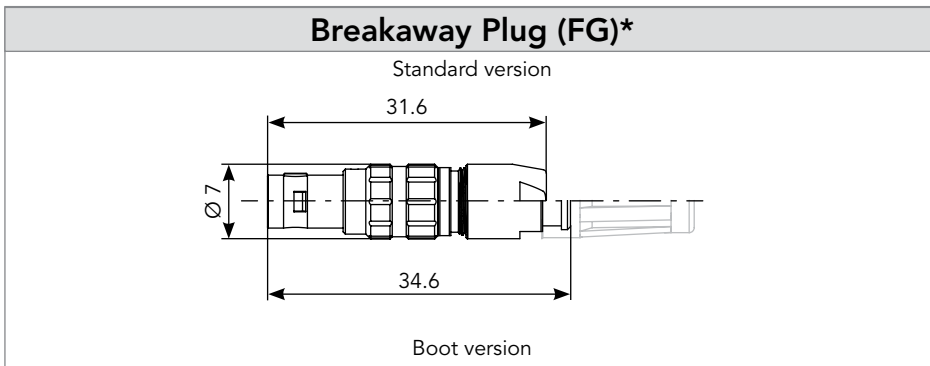
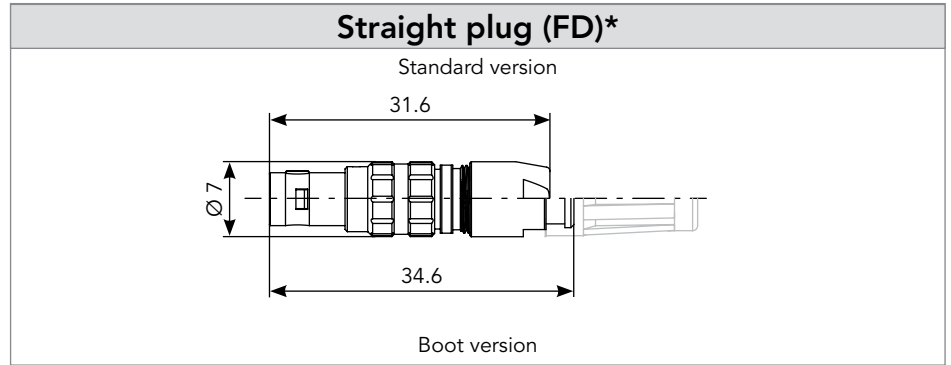
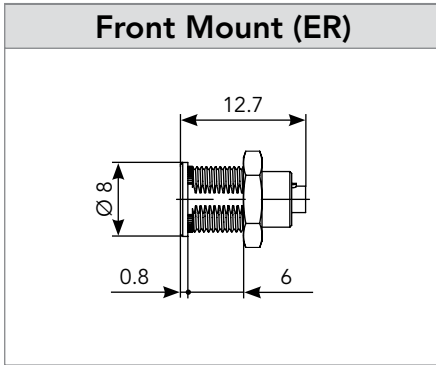
Contact type	Connector type	Description	Part number ⁽¹⁾	
			Male insert	Female insert
Solder contacts see page 59	Receptacle	Front mount (ER)	JBXER00G04MSSDSR	JBXER00G04FSSDSR
	Plug	Straight plug (FD) *	JBXFD00G04MSSDSR	JBXFD00G04FSSDSR
		Breakaway plug (FG) *	JBXFG00G04MSSDSR	JBXFG00G04FSSDSR

* In order to get the back nut for protective boot please add «M» after the last «S». Example: JBX Straight Plug, size 00, 4 solder contacts, male insert = JBXFD00G04MSSDSMR. The protective boot need to be ordered separately, see page accessories.

(1): In order to get a black Chrome over Nickel please replace «S» before the «D» by one «N». Example: JBX Straight Plug, size 00, 4 solder contacts, male insert = JBXFD00G04MSNDSR.

JBX00-04 - IP40 (4 x Ø 0.5mm)

Dimensions (For mated connector lengths see page 59)



Note: all dimensions are in mm

JBX00-04 - IP40 & IP68 (4 x Ø 0.5mm)

Accessories

Receptacle Dust Cap




Part number
JBXBR00

Plug Dust Cap




Part number
JBXBF00

Grounding Washer



Part number
JAXRA00251

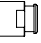
Insulating Washer




Part number	Color
JBX00RIA	Blue
JBX00RIB	White
JBX00RIG	Grey
JBX00RIJ	Yellow
JBX00RIM	Brown
JBX00RIN	Black
JBX00RIR	Red
JBX00RIV	Green
JBX00RIO	Orange

Note : Insulating washers are not compatible with the IP68 versions

Protective Boot

Available only for FD & FG, with back nut protective boot 



Part number	Color
JBX00MPA	Blue
JBX00MPB	White
JBX00MPG	Grey
JBX00MPJ	Yellow
JBX00MPM	Brown
JBX00MPN	Black
JBX00MPR	Red
JBX00MPV	Green
JBX00MPO	Orange

The overall length is 12 mm longer with the protective boot.
Note: The protective boot is not a sealing element.

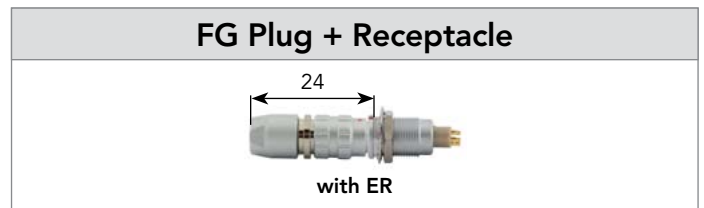
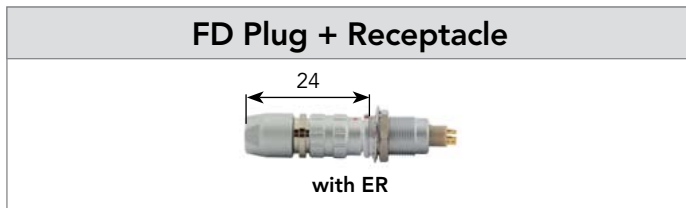
JBX00-04 - IP40 & IP68 (4 x Ø 0.5mm)

Contacts

Ø 0.5 mm	Contact type	Plating	Contact locking type	AWG - Wire max.
Solder	Machined	0.5 µm gold over 3 to 5 µm Ni	Fixed	30

For more information see page 231

Mated Connector Length

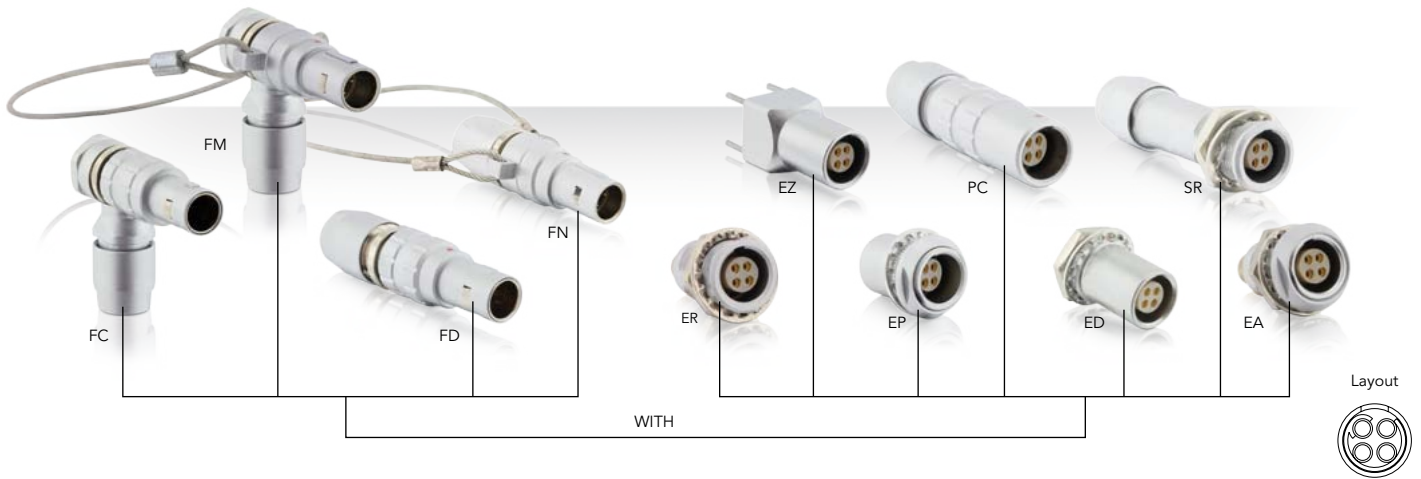


Electrical Characteristics

UL
2A 500V UL94 V-0

Note: all dimensions are in mm

JBX0-04 - IP40 (4 x Ø 0.7mm) - See waterproof IP68 version page 62



Connector Part Number

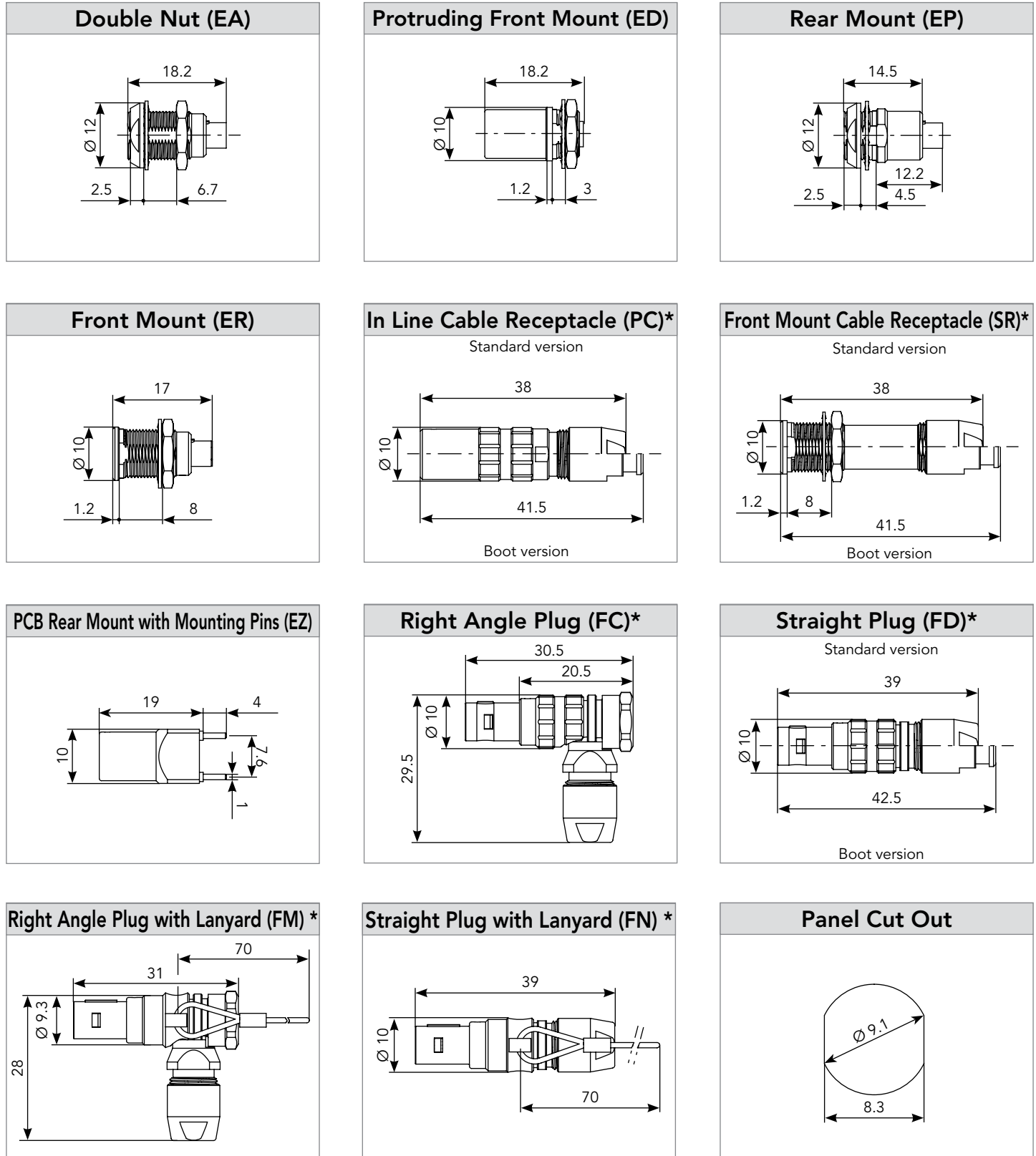
Contact type	Connector type	Description	Part number ⁽¹⁾	
			Male insert	Female insert
Solder contacts see page 65	Receptacle	Double nut (EA)	JBXEA0G04MSSDS	JBXEA0G04FSSDS
		Protruding front mount (ED)	JBXED0G04MSSDSR	JBXED0G04FSSDSR
		Rear mount (EP)	JBXEP0G04MSSDS	JBXEP0G04FSSDS
		Front mount (ER)	JBXER0G04MSSDSR	JBXER0G04FSSDSR
		In line cable (PC) *	JBXPC0G04MSSDSR	JBXPC0G04FSSDSR
	Plug	Right angle plug (FC) *	JBXFC0G04MSSDSR	JBXFC0G04FSSDSR
		Straight plug (FD) *	JBXFD0G04MSSDSR	JBXFD0G04FSSDSR
		Right Angle plug with lanyard (FM) *	JBXFM0G04MSSDSR	JBXFM0G04FSSDSR
	Straight plug with lanyard (FN) *	JBXFN0G04MSSDSR	JBXFN0G04FSSDSR	
Crimp contacts see page 65	Receptacle	Double nut (EA)	JBXEA0G04MCSDS	JBXEA0G04FCSDS
		Protruding front mount (ED)	JBXED0G04MCSDSR	JBXED0G04FCSDSR
		Rear mount (EP)	JBXEP0G04MCSDS	JBXEP0G04FCSDS
		Front mount (ER)	JBXER0G04MCSDSR	JBXER0G04FCSDSR
		In line cable (PC) *	JBXPC0G04MCSDSR	JBXPC0G04FCSDSR
	Plug	Front mount cable (SR) *	JBXSR0G04MCSDSR	JBXSR0G04FCSDSR
		Right angle plug (FC) *	JBXFC0G04MCSDSR	JBXFC0G04FCSDSR
		Straight plug (FD) *	JBXFD0G04MCSDSR	JBXFD0G04FCSDSR
Straight PCB contacts see page 65	Receptacle	Double nut (EA)	JBXEA0G04MPSDS	JBXEA0G04FPSDS
		Rear mount (EP)	JBXEP0G04MPSDS	JBXEP0G04FPSDS
		PCB rear mount with mounting pins (EZ)	JBXEZ0G04MPSDSR	JBXEZ0G04FPSDSR
90° PCB contacts see page 65	Receptacle	Double nut (EA)	-	JBXEA0G04FQSDS
		Protruding front mount (ED)	-	JBXED0G04FQSDSR
		Rear mount (EP)	-	JBXEP0G04FQSDS

* In order to get the back nut for protective boot please add «M» after the last «S». Example: JBX Straight Plug, size 0, 4 solder contacts, male insert = JBXFD0G04MSSDSMR. : First choice
The protective boot need to be ordered separately, see page accessories.

(1): In order to get a black Chrome over Nickel please replace «S» before the «D» by one «N». Example: JBX Straight Plug, size 0, 4 solder contacts, male insert = JBXFD0G04MSNDSR.

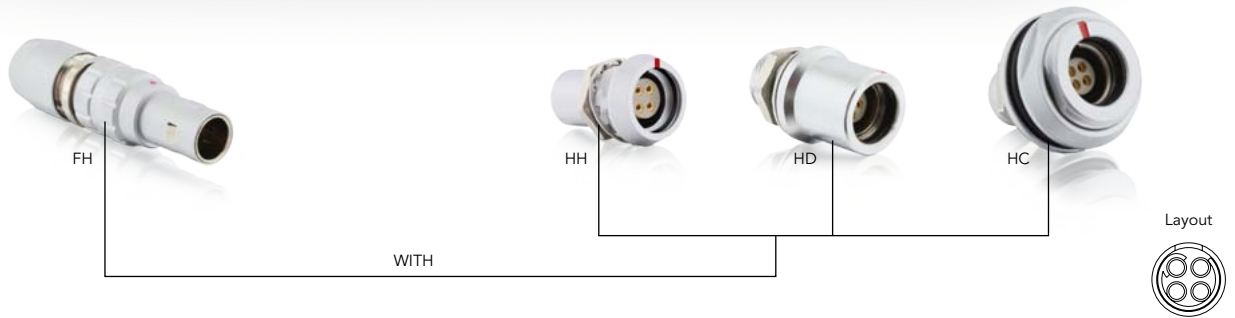
JBX0-04 - IP40 (4 x Ø 0.7mm) - See waterproof IP68 version page 62

Dimensions (For mated connector lengths see page 65)



Note: all dimensions are in mm

JBX0-04 - IP68 (4 x Ø 0.7mm) - See non sealed IP40 version page 60



Connector Part Number

Contact type	Connector type	Description	Part number ⁽¹⁾	
			Male insert	Female insert
Solder contacts see page 65	Receptacle	Rear mount (HC) ☁	JBXHC0G04MSSDSR	JBXHC0G04FSSDSR
		Protruding front mount (HD) ☁	JBXHD0G04MSSDSR	JBXHD0G04FSSDSR
		Front mount extended (HH) ☁	JBXHH0G04MSSDSR	JBXHH0G04FSSDSR
	Plug	Straight plug (FH) *	JBXFH0G04MSSDSR	JBXFH0G04FSSDSR
Crimp contacts see page 65	Receptacle	Protruding front mount (HD)	JBXHD0G04MCSDSR	JBXHD0G04FCSDSR
		Front mount extended (HH)	JBXHH0G04MCSDSR	JBXHH0G04FCSDSR
	Plug	Straight plug (FH) * ☁	JBXFH0G04MCSDSR	JBXFH0G04FCSDSR
Straight PCB contacts see page 65	Receptacle	Rear mount (HC) ☁	JBXHC0G04MPSDSR	JBXHC0G04FPSDSR

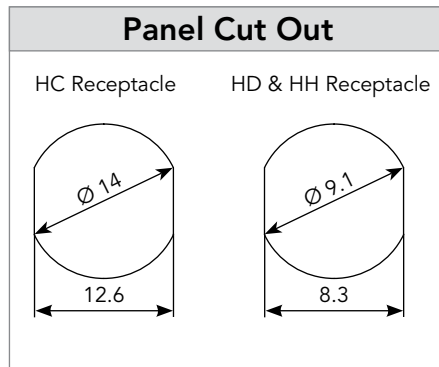
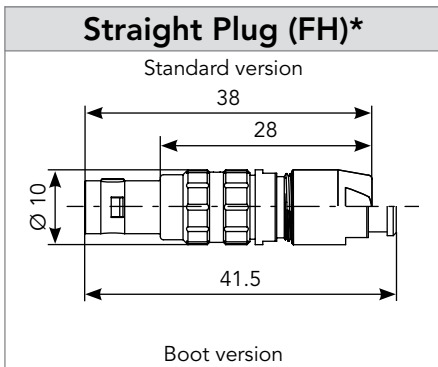
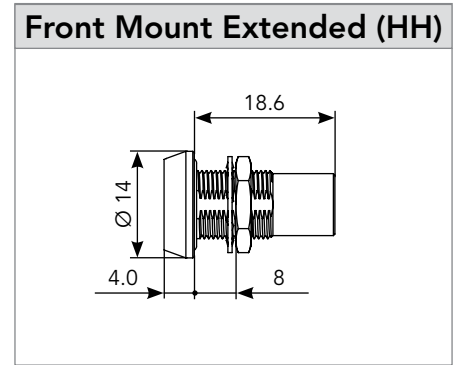
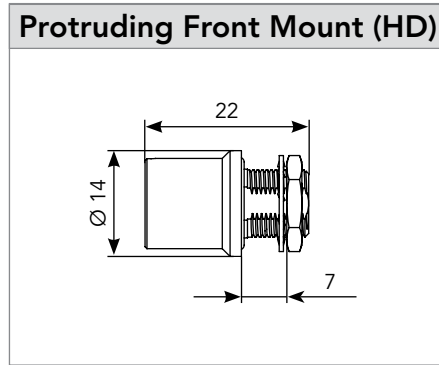
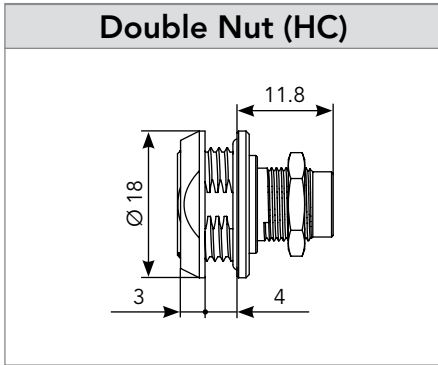
* In order to get the back nut for protective boot please add «M» after the last «S». Example: JBX Straight Plug, size 0, 4 solder contacts, male insert = JBXFH0G04MSSDSMR. ☐ : First choice
 The protective boot need to be ordered separately, see page accessories.

1: In order to get a black Chrome over Nickel please replace «S» before the «D» by one «N». Example: JBX Straight Plug, size 0, 4 solder contacts, male insert = JBXFH0G04MSNDSR.

☁ : Sealed in Unmated Condition

JBX0-04 - IP68 (4 x Ø 0.7mm) - See non sealed IP40 version page 60

Dimensions (For mated connector lengths see page 65)



Note: all dimensions are in mm

JBX0-04 - IP40 & IP68 (4 x Ø 0.7mm)

Accessories

Receptacle Dust Cap




Part number
JBXBRØ

Plug Dust Cap




Part number
JBXBFØ

Grounding Washer



Part number
JAXRAØ251

Insulating Washer



Part number	Color
JBXØRIA	Blue
JBXØRIB	White
JBXØRIG	Grey
JBXØRIJ	Yellow
JBXØRIM	Brown
JBXØRIN	Black
JBXØRIR	Red
JBXØRIV	Green
JBXØRIO	Orange

Note : Insulating washers are not compatible with the IP68 versions

Protective Boot

Available only for PC - FC - FD - FM - FN - SR - FH, with back nut protective boot 



Part number	Color
JBXØMPA	Blue
JBXØMPB	White
JBXØMPG	Grey
JBXØMPJ	Yellow
JBXØMPM	Brown
JBXØMPN	Black
JBXØMPR	Red
JBXØMPV	Green
JBXØMPO	Orange

The overall length is 17 mm longer with the protective boot.
Note: The protective boot is not a sealing element.


Tooling

Crimp Tooling



Part number
MIL-22520/7-01

Locator



Part number	
Male	Female
JBXØOUTLPØ7	JBXØOUTLSØ7

Extraction Tool



Part number
JBXOUTDCØ7

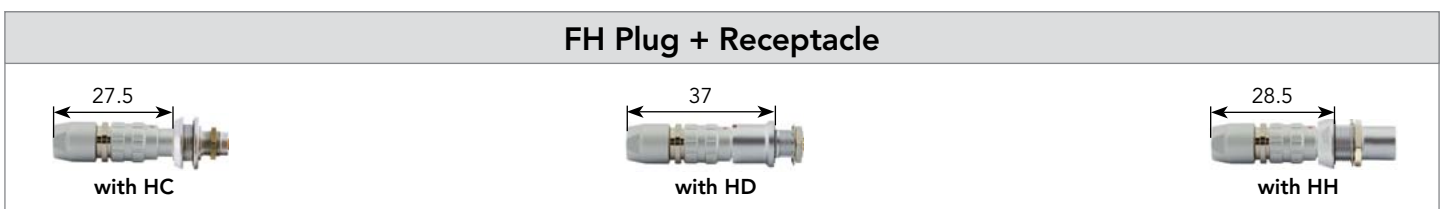
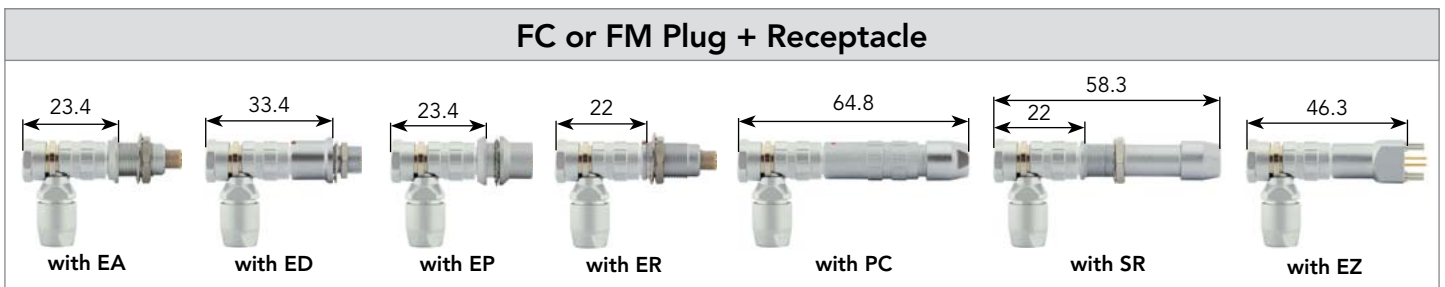
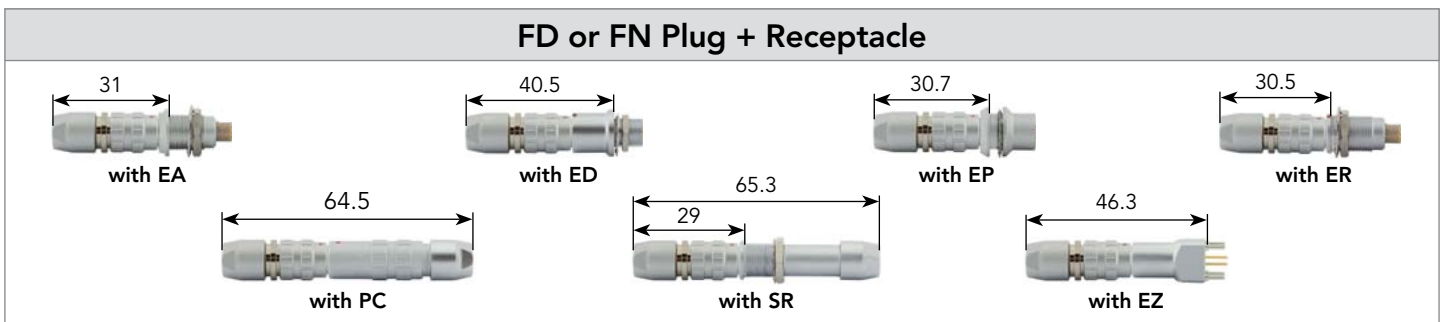
JBX0-04 - IP40 & IP68 (4 x Ø 0.7mm)

Contacts

Ø 0.7 mm	Contact type	Plating	Contact locking type	AWG
Solder	Machined	0.5 µm gold over 3 to 5 µm Ni	Fixed	22
Crimp	Machined	0.5 µm gold over 3 to 5 µm Ni	Removable	22 - 24 - 26
Straight PCB	Machined	0.5 µm gold over 3 to 5 µm Ni	Fixed	-
90° PCB	Machined	0.5 µm gold over 3 to 5 µm Ni	Removable	-

For more information see pages 231 to 234

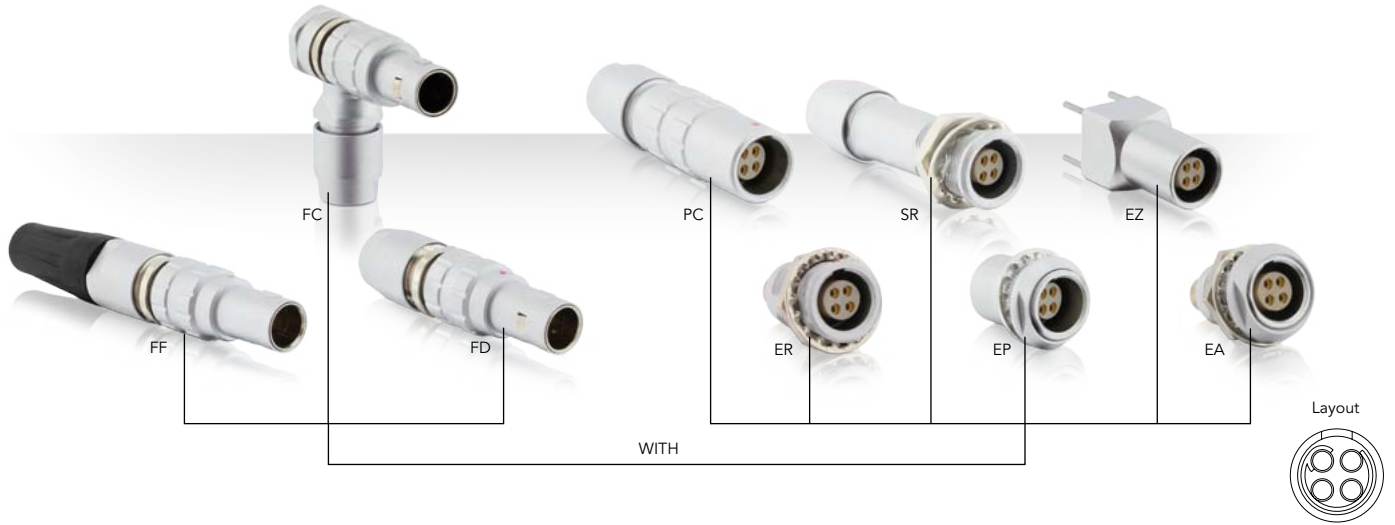
Mated Connector Length



Electrical Characteristics
<p>UL 7A 660V UL94 V-0</p>

Note: all dimensions are in mm

JBX1-04 - IP40 (4 x Ø 0.9 mm)



Connector Part Number

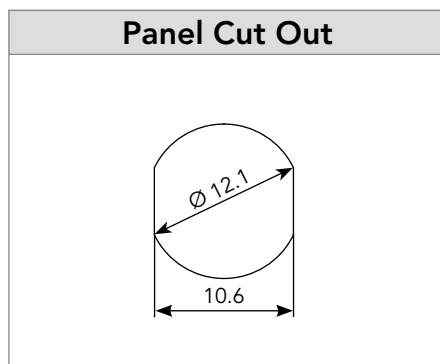
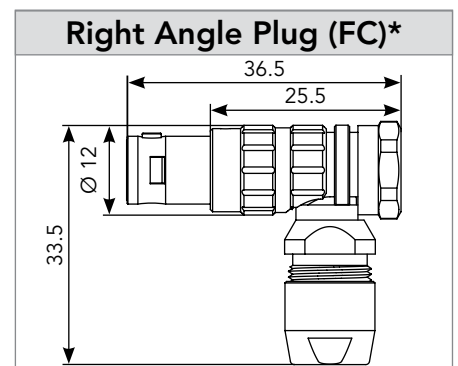
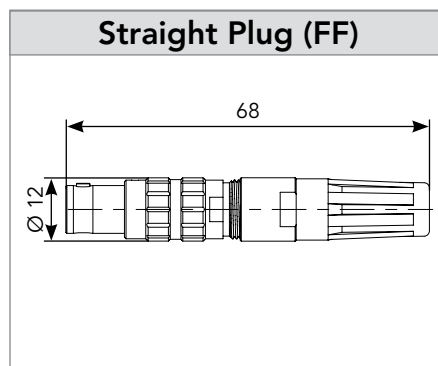
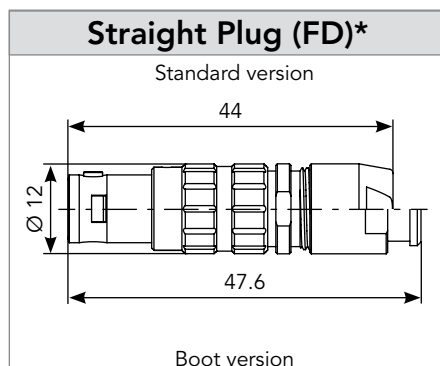
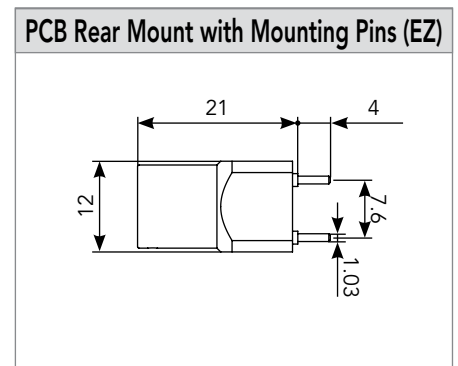
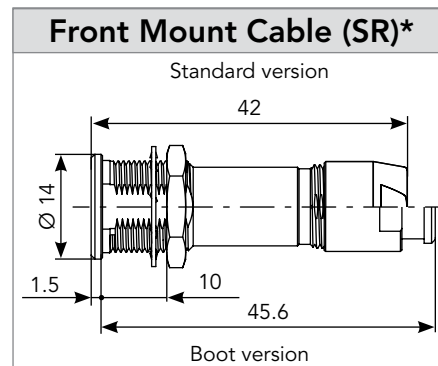
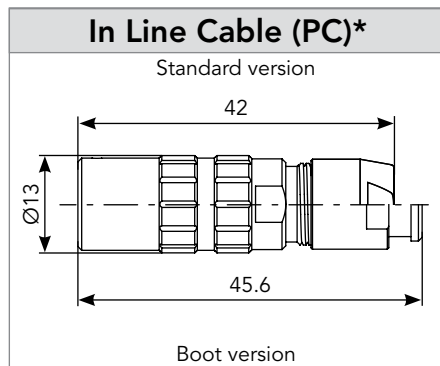
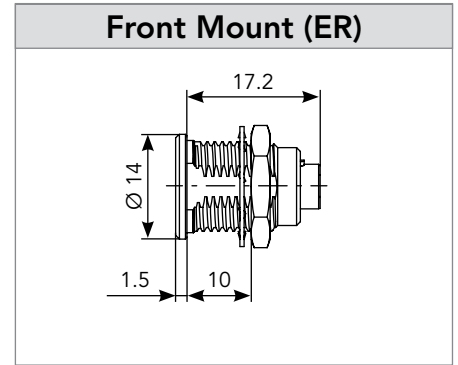
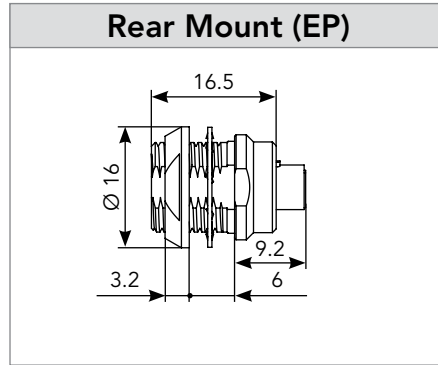
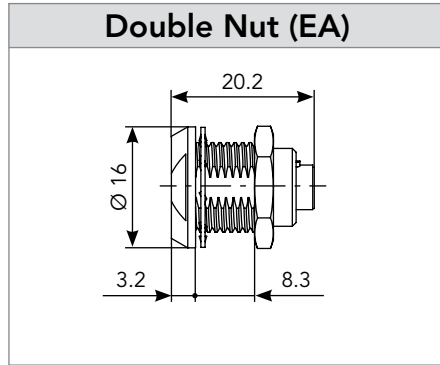
Contact type	Connector type	Description	Part number ⁽¹⁾	
			Male insert	Female insert
Solder contacts see page 69	Receptacle	Double nut (EA)	JBXEA1G04MSSDS	JBXEA1G04FSSDS
		Rear mount (EP)	JBXEP1G04MSSDS	JBXEP1G04FSSDS
		Front mount (ER)	JBXER1G04MSSDSR	JBXER1G04FSSDSR
		In line cable (PC) *	JBXPC1G04MSSDSR	JBXPC1G04FSSDSR
		Front mount cable (SR) *	JBXSR1G04MSSDSR	JBXSR1G04FSSDSR
	Plug	Straight plug (FD) *	JBXFD1G04MSSDSR	JBXFD1G04FSSDSR
Straight plug no latch with black protective boot (FF)		JBXFF1G04MSSDSR	JBXFF1G04FSSDSR	
Crimp contacts see page 69	Receptacle	Double nut (EA)	JBXEA1G04MCSDS	JBXEA1G04FCSDS
		Front mount (ER)	JBXER1G04MCSDSR	JBXER1G04FCSDSR
		In line cable (PC) *	JBXPC1G04MCSDSR	JBXPC1G04FCSDSR
	Plug	Right angle plug (FC) *	JBXFC1G04MCSDSR	JBXFC1G04FCSDSR
		Straight plug (FD) *	JBXFD1G04MCSDSR	JBXFD1G04FCSDSR
Straight PCB contacts see page 69	Receptacle	Double nut (EA)	-	JBXEA1G04FPSDS
		Front mount (ER)	-	JBXER1G04FPSDSR
		PCB rear mount with mounting pins (EZ)	-	JBXEZ1G04FPSDSR
90° PCB contacts see page 69	Receptacle	Double nut (EA)	-	JBXEA1G04FQSDS
		Rear mount (EP)	-	JBXEP1G04FQSDS

* In order to get the back nut for protective boot please add «M» after the last «S». Example: JBX Straight Plug, size 1, 4 solder contacts, male insert = JBXFD1G04MSSDSMR. ■ : First choice
The protective boot need to be ordered separately, see page accessories.

(1): In order to get a black Chrome over Nickel please replace «S» before the «D» by one «N». Example: JBX Straight Plug, size 1, 4 solder contacts, male insert = JBXFD1G04MSNDSR.

JBX1-04 - IP40 (4 x Ø 0.9 mm)

Dimensions (For mated connector lengths see page 69)



JBX1-04 - IP40 (4 x Ø 0.9 mm)

Receptacle Dust Cap




Part number
JBXBR1

Plug Dust Cap




Part number
JBXBF1

Grounding Washer



Part number
JAXRA1251

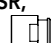
Insulating Washer




Part number	Color
JBX1RIA	Blue
JBX1RIB	White
JBX1RIG	Grey
JBX1RIJ	Yellow
JBX1RIM	Brown
JBX1RIN	Black
JBX1RIR	Red
JBX1RIV	Green
JBX1RIO	Orange

Note : Insulating washers are not compatible with the IP68 versions

Protective Boot

Available only for PC - FC - FD - SR, with back nut protective boot 



Part number	Color
JBX1MPA	Blue
JBX1MPB	White
JBX1MPG	Grey
JBX1MPJ	Yellow
JBX1MPM	Brown
JBX1MPN	Black
JBX1MPR	Red
JBX1MPV	Green
JBX1MPO	Orange

The overall length is 21 mm longer with the protective boot.
Note: The protective boot is not a sealing element.


Tooling

Crimp Tooling



Part number
MIL-22520/7-01

Locator



Part number	
Male	Female
JBX1OUTLP09	JBX1OUTLS09

Extraction Tool



Part number
JBXOUTDC09

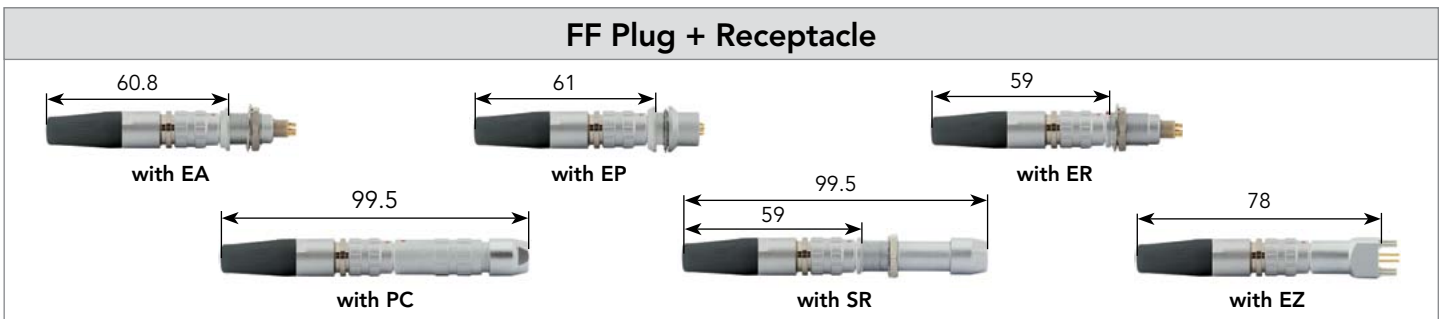
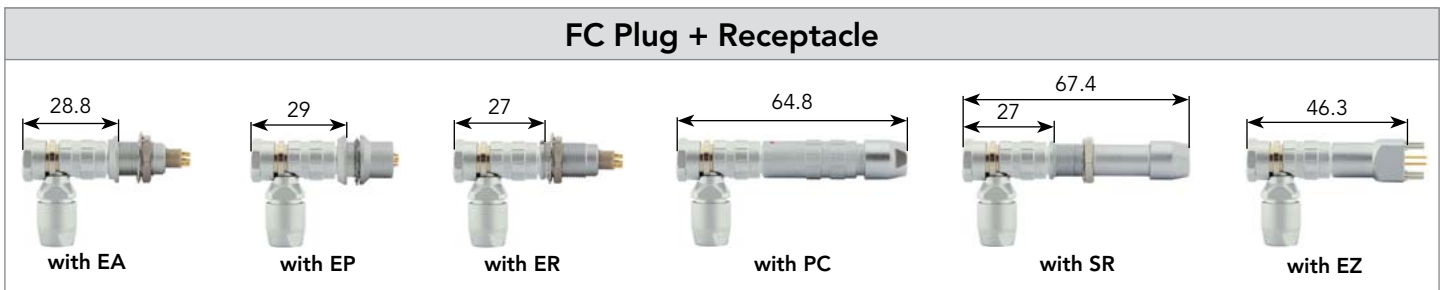
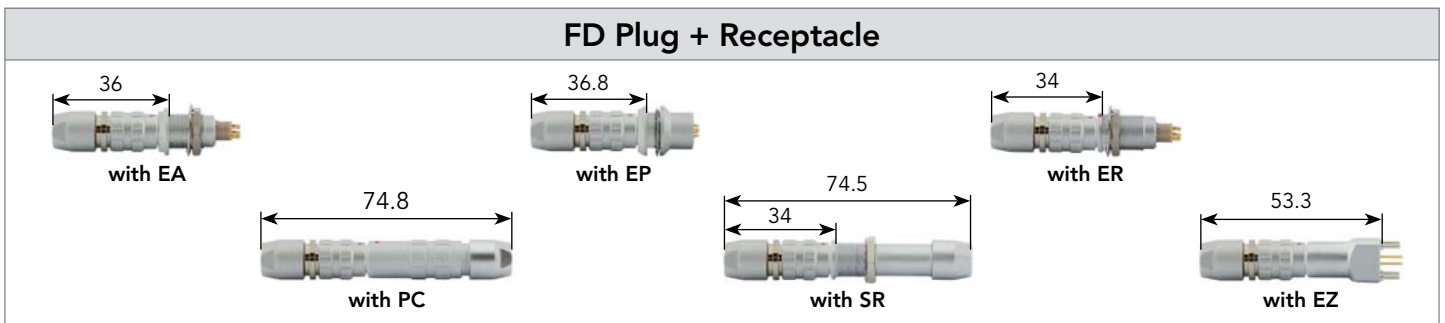
JBX1-04 - IP40 (4 x Ø 0.9 mm)

Contacts

Ø 0.9 mm	Contact type	Plating	Contact locking type	AWG
Solder	Machined	0.5 µm gold over 3 to 5 µm Ni	Removable	24
Crimp	Machined	0.5 µm gold over 3 to 5 µm Ni	Removable	20 - 22 - 24
Straight PCB	Machined	0.5 µm gold over 3 to 5 µm Ni	Fixed	-
90° PCB	Machined	0.5 µm gold over 3 to 5 µm Ni	Removable	-

For more information see pages 231 to 234

Mated Connector Length

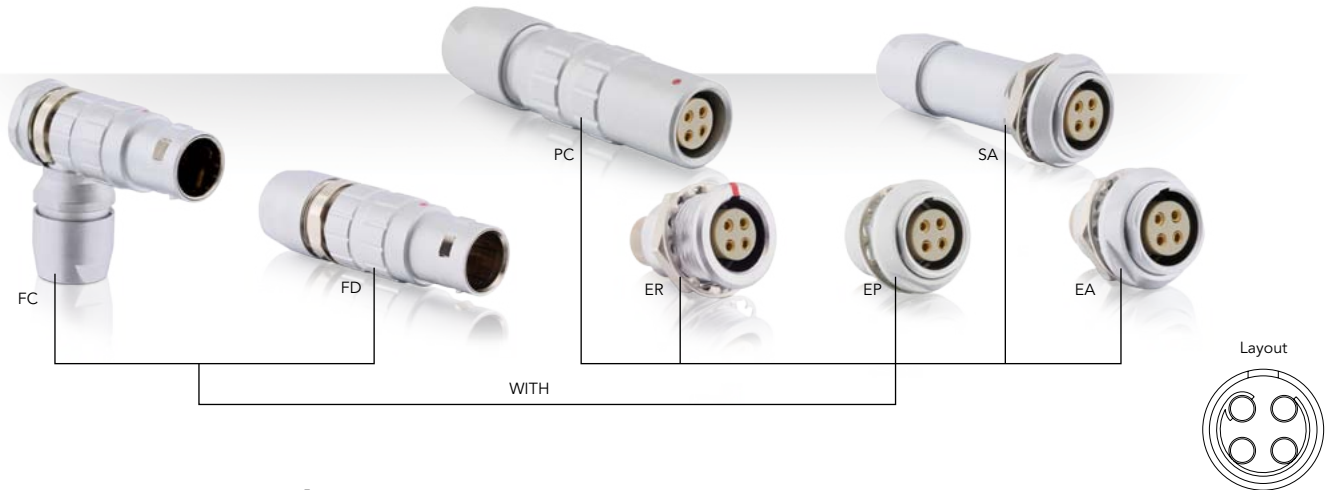


Electrical Characteristics

UL
10A 900V UL94 V-0

Note: all dimensions are in mm

JBX2-04 - IP40 (4 x Ø 1.3 mm) - See waterproof IP68 version page 72



Connector Part Number

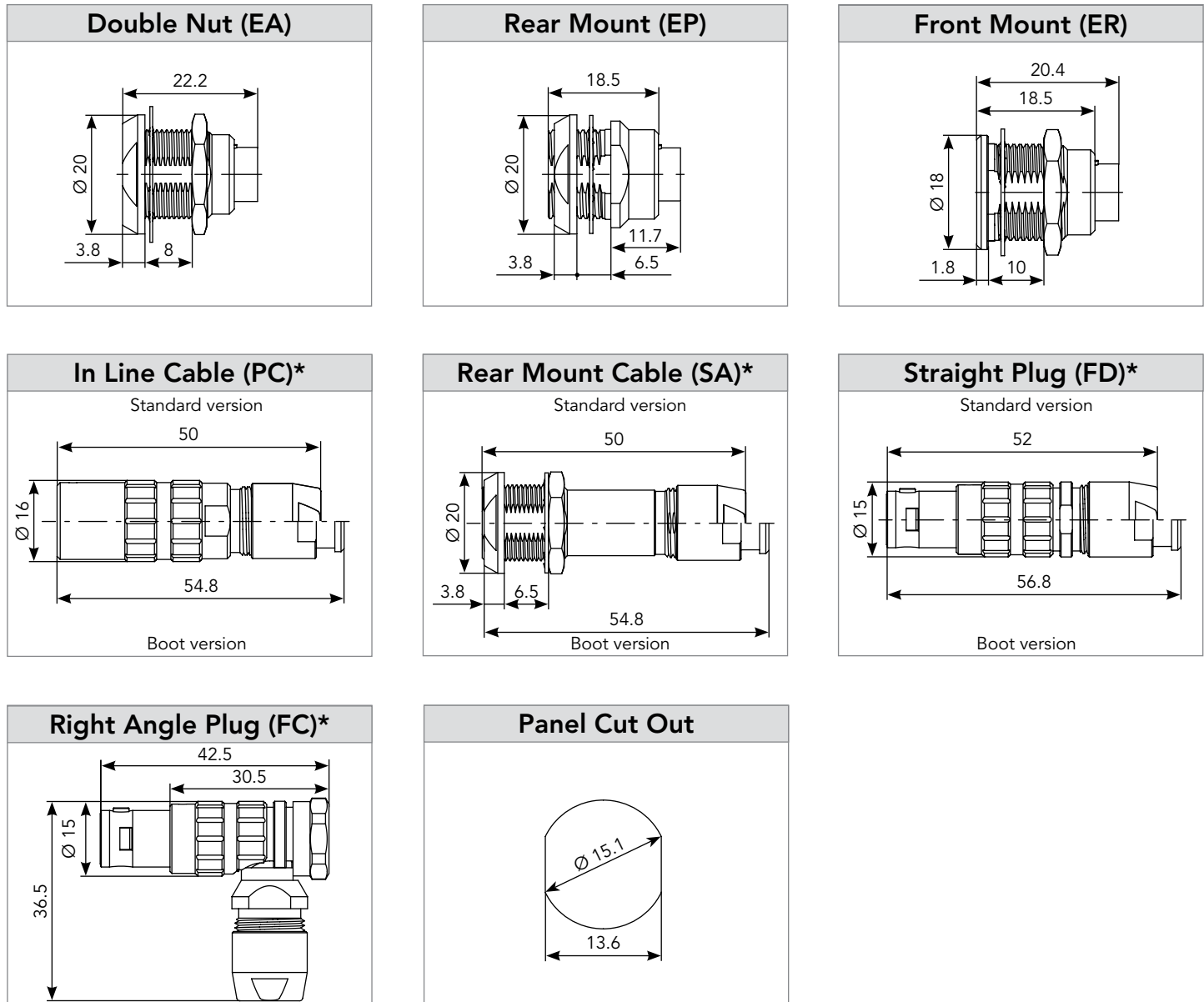
Contact type	Connector type	Description	Part number ⁽¹⁾	
			Male insert	Female insert
Solder contacts see page 75	Receptacle	Double nut (EA)	JBXEA2G04MSSDS	JBXEA2G04FSSDS
		Rear mount (EP)	JBXEP2G04MSSDS	JBXEP2G04FSSDS
		Front mount (ER)	JBXER2G04MSSDSR	JBXER2G04FSSDSR
		In line cable (PC) *	JBXPC2G04MSSDSR	JBXPC2G04FSSDSR
	Plug	Straight plug (FD) *	JBXFD2G04MSSDSR	JBXFD2G04FSSDSR
Crimp contacts see page 75	Receptacle	Double nut (EA)	JBXEA2G04MCSDS	JBXEA2G04FCSDS
		Rear mount (EP)	JBXEP2G04MCSDS	JBXEP2G04FCSDS
		Front mount (ER)	JBXER2G04MCSDSR	JBXER2G04FCSDSR
		In line cable (PC) *	JBXPC2G04MCSDSR	JBXPC2G04FCSDSR
		Rear mount cable (SA) *	JBXSA2G04MCSDS	JBXSA2G04FCSDS
	Plug	Right angle plug (FC) *	JBXFC2G04MCSDSR	JBXFC2G04FCSDSR
		Straight plug (FD) *	JBXFD2G04MCSDSR	JBXFD2G04FCSDSR
Straight PCB contacts see page 75	Receptacle	Double nut (EA)	JBXEA2G04MPSDS	JBXEA2G04FPSDS
		Rear mount (EP)	JBXEP2G04MPSDS	JBXEP2G04FPSDS
		Front mount (ER)	JBXER2G04MPSDSR	JBXER2G04FPSDSR

* In order to get the back nut for protective boot please add «M» after the last «S». Example: JBX Straight Plug, size 2, 4 solder contacts, male insert = JBXFD2G04MSSDSMR. : First choice
The protective boot need to be ordered separately, see page accessories.

(1): In order to get a black Chrome over Nickel please replace «S» before the «D» by one «N». Example: JBX Straight Plug, size 2, 4 solder contacts, male insert = JBXFD2G04MSNDSR.

JBX2-04 - IP40 (4 x Ø 1.3 mm) - See waterproof IP68 version page 72

Dimensions (For mated connector lengths see page 75)



Note: all dimensions are in mm

JBX2-04 - IP68 (4 x Ø 1.3 mm) - See non sealed IP40 version page 70



Connector Part Number

Contact type	Connector type	Description	Part number ⁽¹⁾	
			Male insert	Female insert
Solder contacts see page 75	Receptacle	Double nut, front or rear mount (EC)	JBXEC2G04MSSDS	JBXEC2G04FSSDS
		Front mount extended (HH) ☁	JBXHH2G04MSSDSR	JBXHH2G04FSSDSR
	Plug	Straight plug (FH) *	JBXFH2G04MSSDSR	JBXFH2G04FSSDSR
Crimp contacts see page 75	Receptacle	Double nut, front or rear mount (EC)	JBXEC2G04MCSDS	JBXEC2G04FCSDS
		Front mount extended (HH)	JBXHH2G04MCSDSR	JBXHH2G04FCSDSR
	Plug	Straight plug (FH) *	JBXFH2G04MCSDSR	JBXFH2G04FCSDSR
Straight PCB contacts see page 75	Receptacle	Double nut, front or rear mount (EC)	JBXEC2G04MPSDS	JBXEC2G04FPSDS

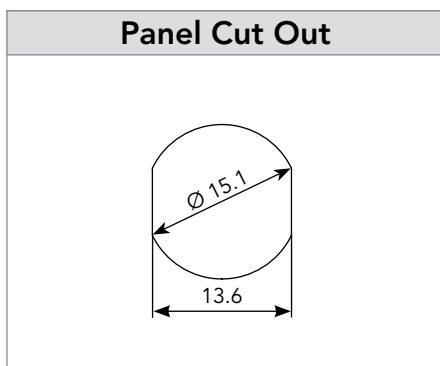
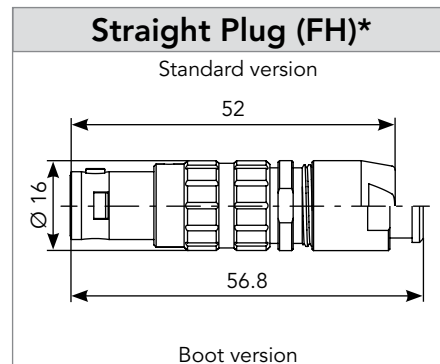
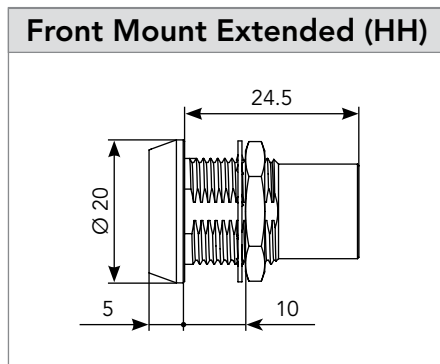
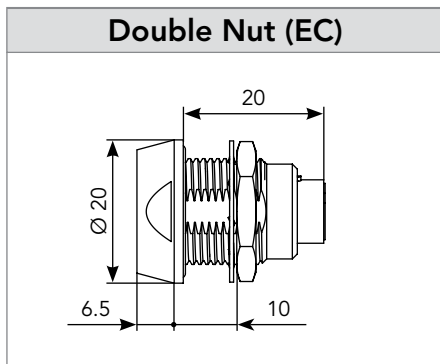
* In order to get the back nut for protective boot please add «M» after the last «S». Example: JBX Straight Plug, size 2, 4 solder contacts, male insert = JBXFH2G04MSSDSMR. : First choice
The protective boot need to be ordered separately, see page accessories.

1: In order to get a black Chrome over Nickel please replace «S» before the «D» by one «N». Example: JBX Straight Plug, size 2, 4 solder contacts, male insert = JBXFH2G04MNSDSR.

☁ : Sealed in Unmated Condition

JBX2-04 - IP68 (4 x Ø 1.3 mm) - See non sealed IP40 version page 70

Dimensions (For mated connector lengths see page 75)



Note: all dimensions are in mm

JBX2-04 - IP40 & IP68 (4 x Ø 1.3 mm)

Accessories

Receptacle Dust Cap




Part number
JBXBR2

Plug Dust Cap




Part number
JBXBF2

Grounding Washer



Part number
JAXRA2252

Insulating Washer



Part number	Color
JBX2RIA	Blue
JBX2RIB	White
JBX2RIG	Grey
JBX2RIJ	Yellow
JBX2RIM	Brown
JBX2RIN	Black
JBX2RIR	Red
JBX2RIV	Green
JBX2RIO	Orange

Note : Insulating washers are not compatible with the IP68 versions

Protective Boot

Available only for PC - FC - FD - SA, FH, with back nut protective boot 



Part number	Color
JBX2MPA	Blue
JBX2MPB	White
JBX2MPG	Grey
JBX2MPJ	Yellow
JBX2MPM	Brown
JBX2MPN	Black
JBX2MPR	Red
JBX2MPV	Green
JBX2MPO	Orange

The overall length is 25 mm longer with the protective boot.
Note: The protective boot is not a sealing element.


Tooling

Crimp Tooling



Part number
MIL-22520/7-01

Locator



Part number	
Male	Female
JBX20UTLP13	JBX20UTLS13

Extraction Tool



Part number
JBX0UTDC13

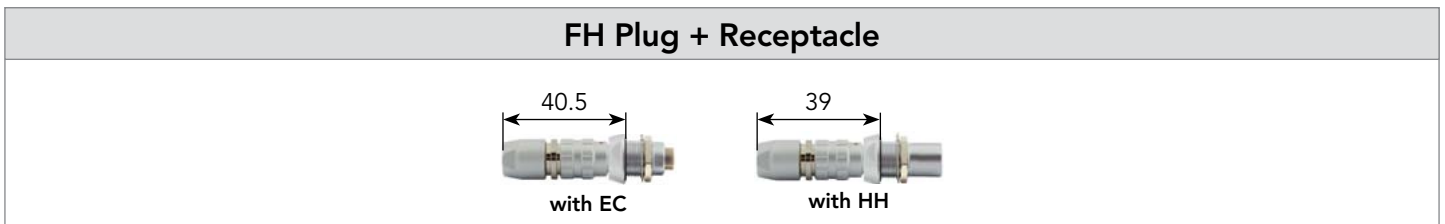
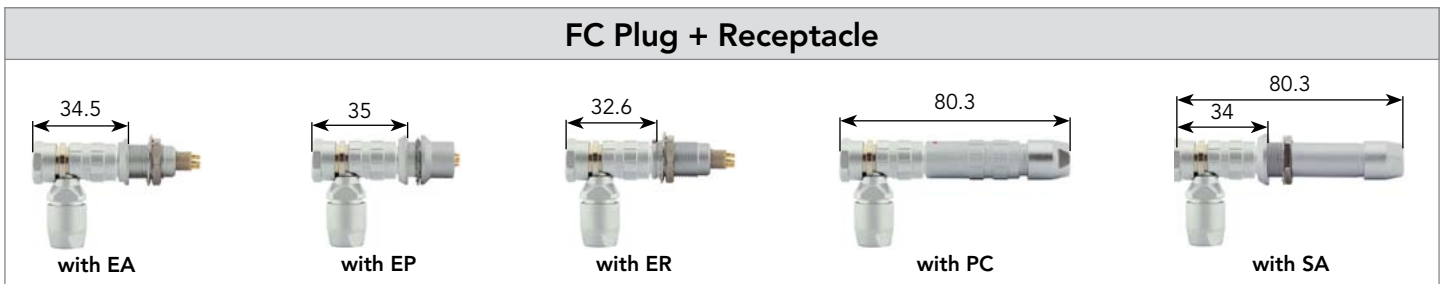
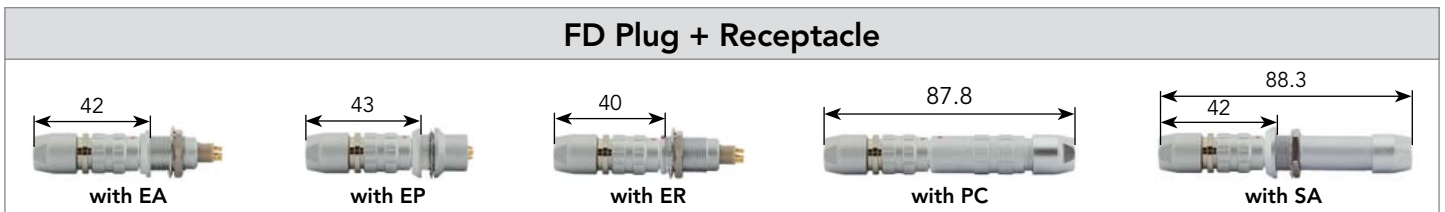
JBX2-04 - IP40 & IP68 (4 x Ø 1.3 mm)

Contacts

Ø 1.3 mm	Contact type	Plating	Contact locking type	AWG
Solder	Machined	0.5 µm gold over 3 to 5 µm Ni	Removable	20
Crimp	Machined	0.5 µm gold over 3 to 5 µm Ni	Removable	18 - 20 - 22
Straight PCB	Machined	0.5 µm gold over 3 to 5 µm Ni	Fixed	-

For more information see pages 231 to 233

Mated Connector Length

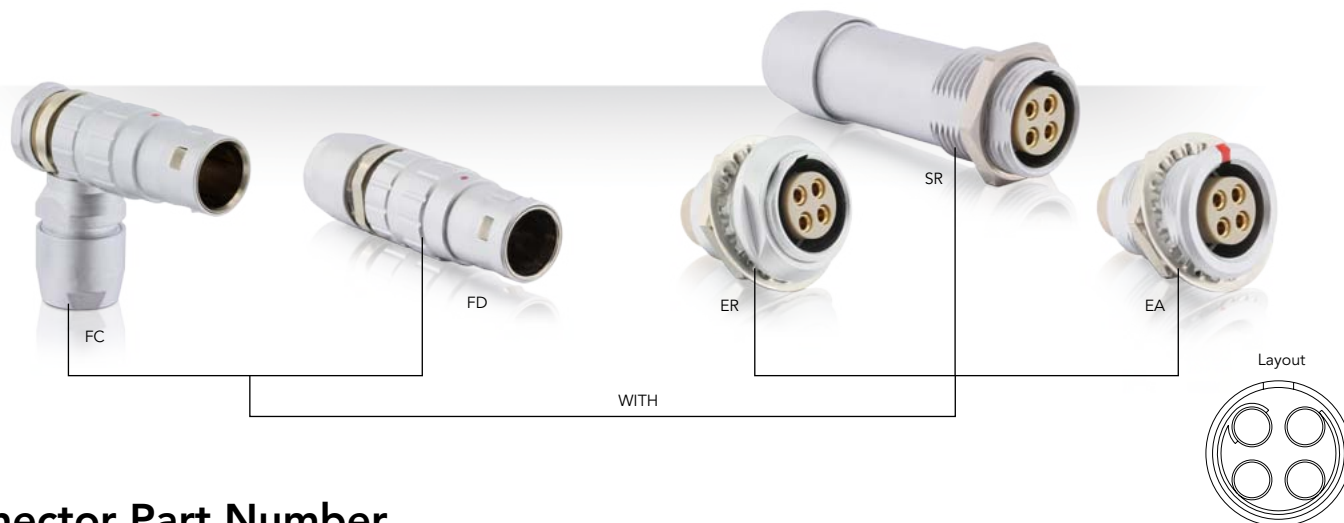


Electrical Characteristics

UL
15A 1,000V UL94 V-0

Note: all dimensions are in mm

JBX3-04 - IP40 (3 x Ø 2.0 mm)



Connector Part Number

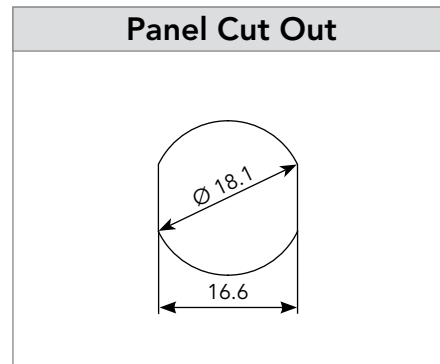
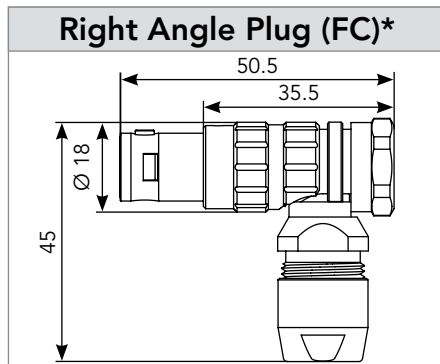
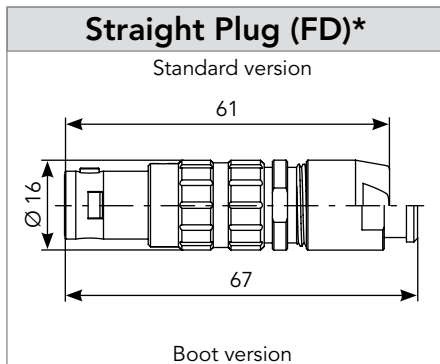
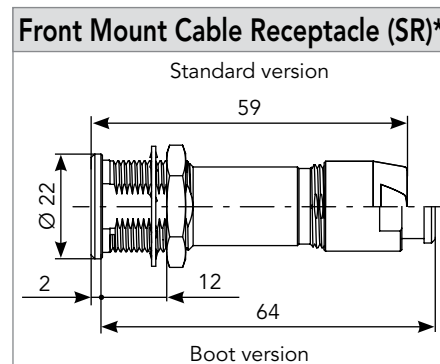
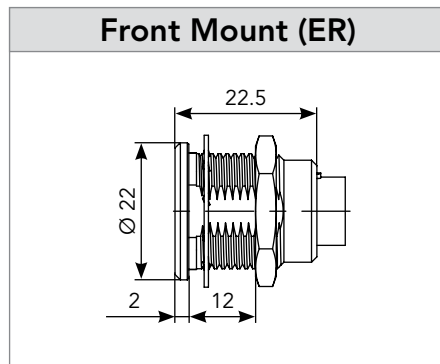
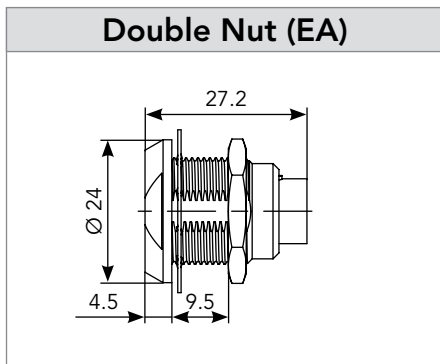
Contact type	Connector type	Description	Part number ⁽¹⁾	
			Male insert	Female insert
Solder contacts see page 79	Receptacle	Double nut (EA)	JBXEA3G04MSSDS	JBXEA3G04FSSDS
		Front mount (ER)	JBXER3G04MSSDSR	JBXER3G04FSSDSR
		Front mount cable (SR) *	JBXSR3G04MSSDSR	JBXSR3G04FSSDSR
	Plug	Straight plug (FD) *	JBXFD3G04MSSDSR	JBXFD3G04FSSDSR
Crimp contacts see page 79	Receptacle	Double nut (EA)	JBXEA3G04MCSDS	JBXEA3G04FCSDS
		Front mount (ER)	JBXER3G04MCSDSR	JBXER3G04FCSDSR
	Plug	Right angle plug (FC) *	JBXFC3G04MCSDSR	JBXFC3G04FCSDSR
		Straight plug (FD) *	JBXFD3G04MCSDSR	JBXFD3G04FCSDSR

* In order to get the back nut for protective boot please add «M» after the last «S». Example: JBX Straight Plug, size 3, 4 solder contacts, male insert = JBXFD3G04MSSDSMR. : First choice
The protective boot need to be ordered separately, see page accessories.

1: In order to get a black Chrome over Nickel please replace «S» before the «D» by one «N». Example: JBX Straight Plug, size 3, 4 solder contacts, male insert = JBXFD3G04MSNDSR.

JBX3-04 - IP40 (3 x Ø 2.0 mm)

Dimensions (For mated connector lengths see page 79)



JBX3-04 - IP40 (3 x Ø 2.0 mm)

Accessories

Receptacle Dust Cap




Part number
JBXBR3

Plug Dust Cap




Part number
JBXBF3

Grounding Washer



Part number
JAXRA3252

Insulating Washer



Part number	Color
JBX3RIA	Blue
JBX3RIB	White
JBX3RIG	Grey
JBX3RIJ	Yellow
JBX3RIM	Brown
JBX3RIN	Black
JBX3RIR	Red
JBX3RIV	Green
JBX3RIO	Orange

Note : Insulating washers are not compatible with the IP68 versions

Protective Boot

Available only for FC - FD - SR, with back nut protective boot 



Part number	Color
JBX3MPA	Blue
JBX3MPB	White
JBX3MPG	Grey
JBX3MPJ	Yellow
JBX3MPM	Brown
JBX3MPN	Black
JBX3MPR	Red
JBX3MPV	Green
JBX3MPO	Orange

The overall length is 28.5 mm longer with the protective boot.
Note: The protective boot is not a sealing element.

Tooling

Crimp Tooling



Part number
MIL-22520/1-01

Locator



Part number
JBX3OUTLP20

Extraction Tool



Part number
JBXOUTDC20

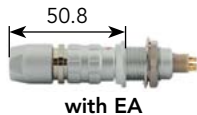
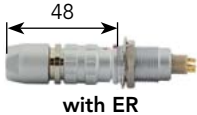
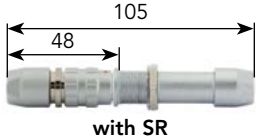


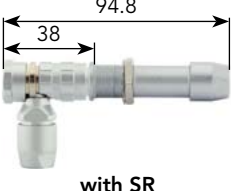
JBX3-04 - IP40 (3 x Ø 2.0 mm)

Contacts

Ø 2.0 mm	Contact type	Plating	Contact locking type	AWG
Solder	Machined	0.5 µm gold over 3 to 5 µm Ni	Removable	16
Crimp	Machined	0.5 µm gold over 3 to 5 µm Ni	Removable	12 - 14 - 16

For more information see pages 231 and 232

Mated Connector Length

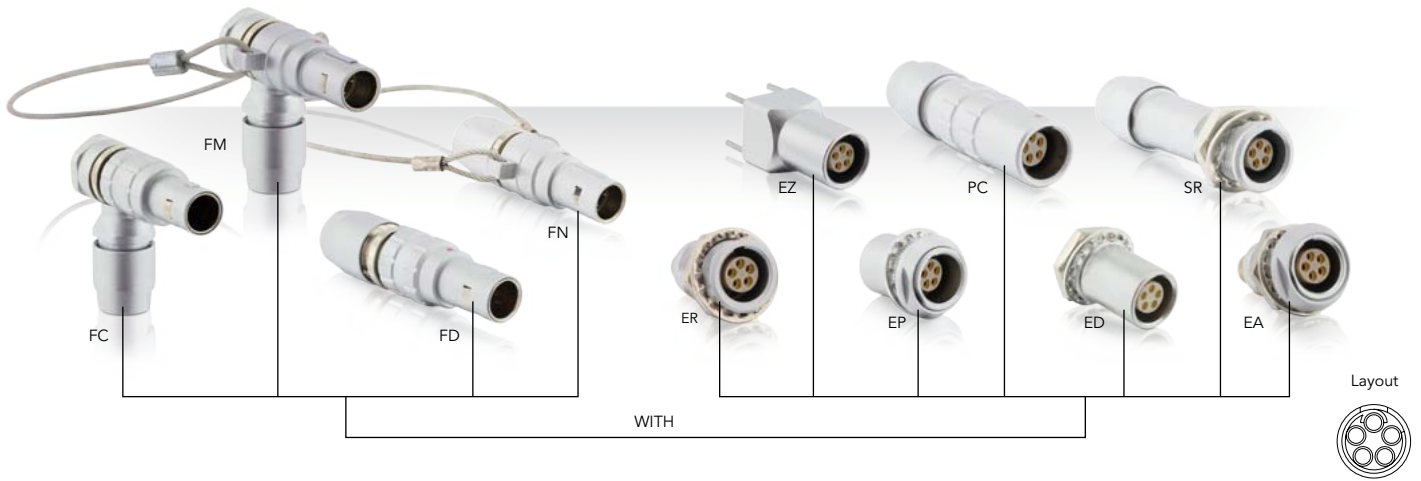
FD Plug + Receptacle		
 <p>50.8 with EA</p>	 <p>48 with ER</p>	 <p>105 48 with SR</p>
FC Plug + Receptacle		
 <p>40.8 with EA</p>	 <p>38 with ER</p>	 <p>94.8 38 with SR</p>

Electrical Characteristics

UL
25A 1,100V UL94 V-0

Note: all dimensions are in mm

JBX0-05 - IP40 (5 x Ø 0.7mm) - See waterproof IP68 version page 82



Connector Part Number

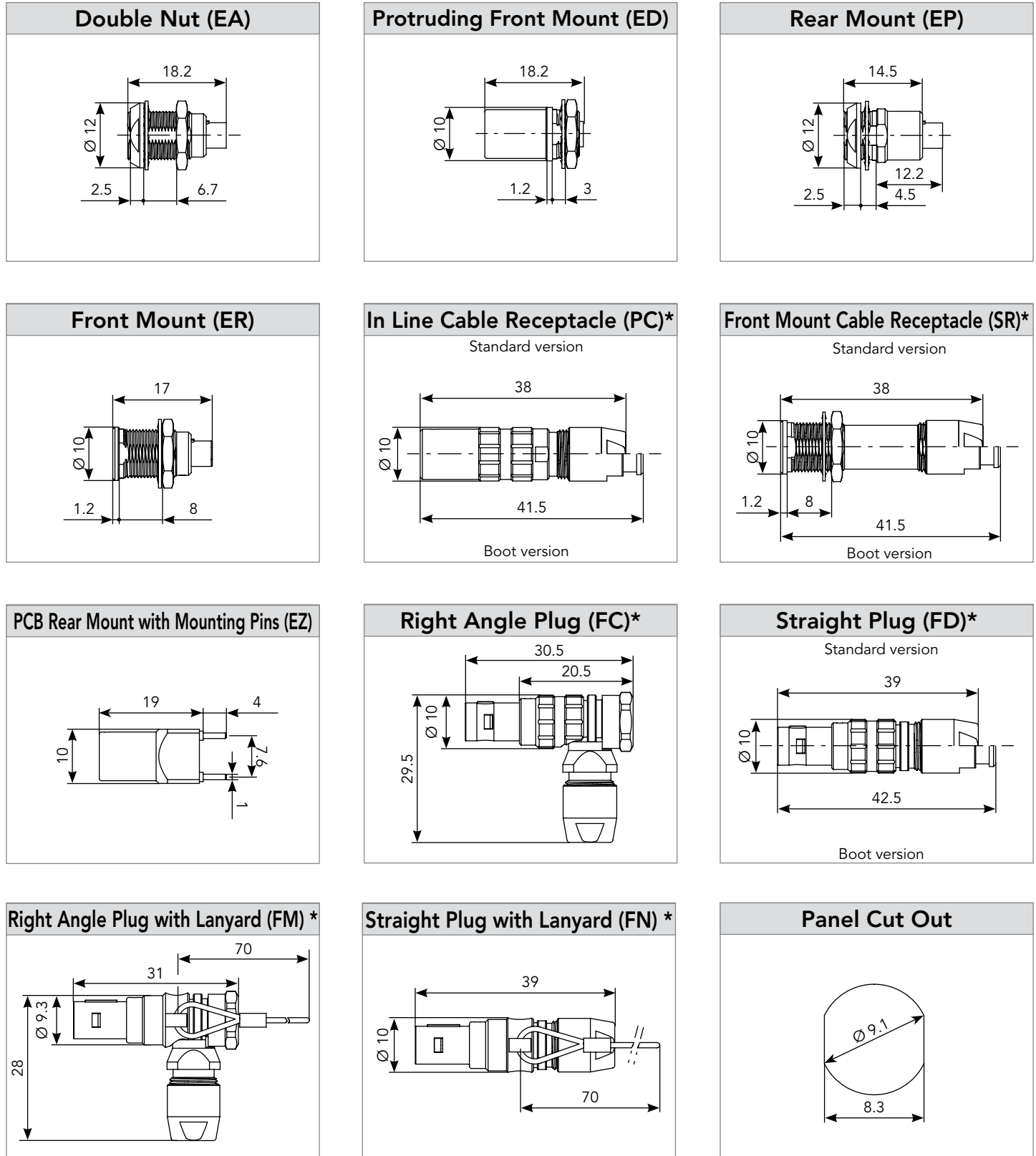
Contact type	Connector type	Description	Part number ⁽¹⁾	
			Male insert	Female insert
Solder contacts see page 85	Receptacle	Double nut (EA)	JBXEA0G05MSSDS	JBXEA0G05FSSDS
		Protruding front mount (ED)	JBXED0G05MSSDSR	JBXED0G05FSSDSR
		Rear mount (EP)	JBXEP0G05MSSDS	JBXEP0G05FSSDS
		Front mount (ER)	JBXER0G05MSSDSR	JBXER0G05FSSDSR
		In line cable (PC) *	JBXPC0G05MSSDSR	JBXPC0G05FSSDSR
	Plug	Right angle plug (FC) *	JBXFC0G05MSSDSR	JBXFC0G05FSSDSR
		Straight plug (FD) *	JBXFD0G05MSSDSR	JBXFD0G05FSSDSR
		Right Angle plug with lanyard (FM) *	JBXFM0G05MSSDSR	JBXFM0G05FSSDSR
Straight plug with lanyard (FN) *		JBXFN0G05MSSDSR	JBXFN0G05FSSDSR	
Crimp contacts see page 85	Receptacle	Double nut (EA)	JBXEA0G05MCSDS	JBXEA0G05FCSDS
		Protruding front mount (ED)	JBXED0G05MCSDSR	JBXED0G05FCSDSR
		Rear mount (EP)	JBXEP0G05MCSDS	JBXEP0G05FCSDS
		Front mount (ER)	JBXER0G05MCSDSR	JBXER0G05FCSDSR
		In line cable (PC) *	JBXPC0G05MCSDSR	JBXPC0G05FCSDSR
	Plug	Front mount cable (SR) *	JBXSR0G05MCSDSR	JBXSR0G05FCSDSR
		Right angle plug (FC) *	JBXFC0G05MCSDSR	JBXFC0G05FCSDSR
		Straight plug (FD) *	JBXFD0G05MCSDSR	JBXFD0G05FCSDSR
Straight PCB contacts see page 85	Receptacle	Double nut (EA)	JBXEA0G05MPSDS	JBXEA0G05FPSDS
		Rear mount (EP)	JBXEP0G05MPSDS	JBXEP0G05FPSDS
		PCB rear mount with mounting pins (EZ)	JBXEZ0G05MPSDSR	JBXEZ0G05FPSDSR
90° PCB contacts see page 85	Receptacle	Double nut (EA)	-	JBXEA0G05FQSDS
		Protruding front mount (ED)	-	JBXED0G05FQSDSR
		Rear mount (EP)	-	JBXEP0G05FQSDS

* In order to get the back nut for protective boot please add «M» after the last «S». Example: JBX Straight Plug, size 0, 5 solder contacts, male insert = JBXFD0G05MSSDSMR. : First choice
The protective boot need to be ordered separately, see page accessories.

(1): In order to get a black Chrome over Nickel please replace «S» before the «D» by one «N». Example: JBX Straight Plug, size 0, 5 solder contacts, male insert = JBXFD0G05MSNDSR.

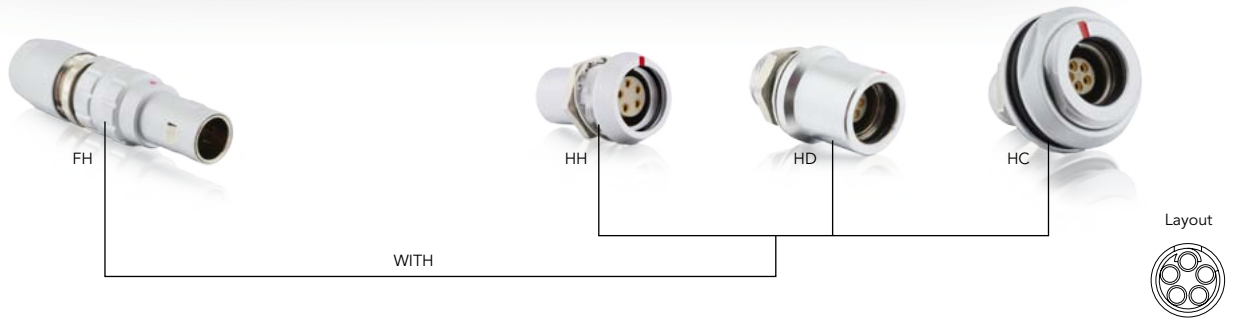
JBX0-05 - IP40 (5 x Ø 0.7mm) - See waterproof IP68 version page 82

Dimensions (For mated connector lengths see page 85)



Note: all dimensions are in mm

JBX0-05 - IP68 (5 x Ø 0.7mm) - See non sealed IP40 version page 80



Connector Part Number

Contact type	Connector type	Description	Part number ⁽¹⁾	
			Male insert	Female insert
Solder contacts see page 85	Receptacle	Rear mount (HC) ☁	JBXHC0G05MSSDSR	JBXHC0G05FSSDSR
		Protruding front mount (HD) ☁	JBXHD0G05MSSDSR	JBXHD0G05FSSDSR
		Front mount extended (HH) ☁	JBXHH0G05MSSDSR	JBXHH0G05FSSDSR
	Plug	Straight plug (FH) *	JBXFH0G05MSSDSR	JBXFH0G05FSSDSR
Crimp contacts see page 85	Receptacle	Protruding front mount (HD)	JBXHD0G05MCSDSR	JBXHD0G05FCSDSR
		Front mount extended (HH)	JBXHH0G05MCSDSR	JBXHH0G05FCSDSR
	Plug	Straight plug (FH) * ☁	JBXFH0G05MCSDSR	JBXFH0G05FCSDSR
Straight PCB contacts see page 85	Receptacle	Rear mount (HC) ☁	JBXHC0G05MPSDSR	JBXHC0G05FPSDSR

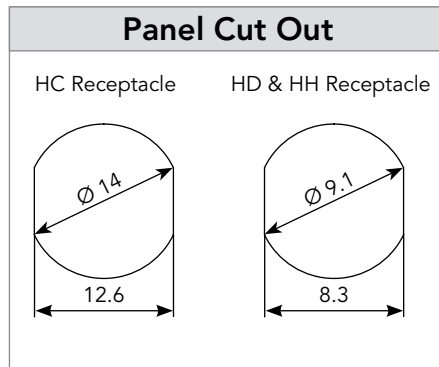
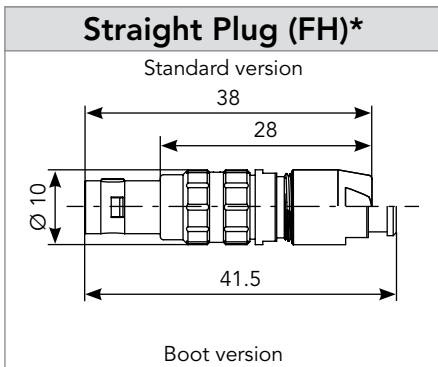
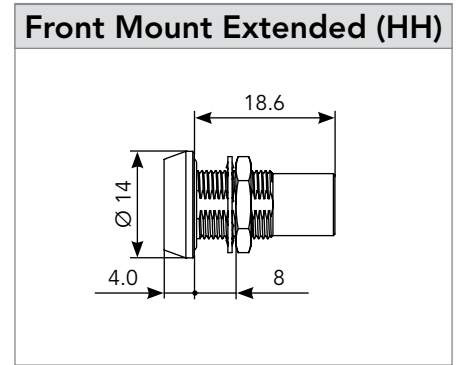
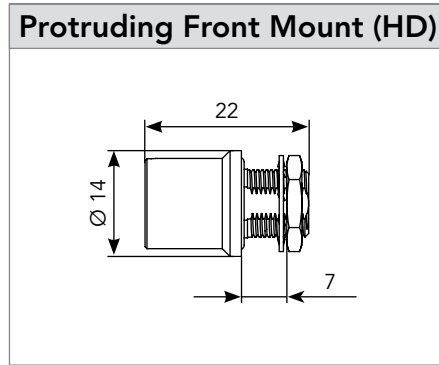
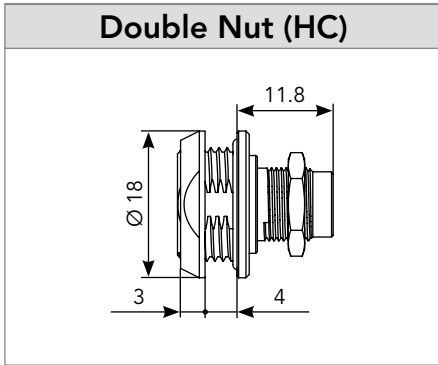
* In order to get the back nut for protective boot please add «M» after the last «S». Example: JBX Straight Plug, size 0, 5 solder contacts, male insert = JBXFH0G05MSSDSMR. ☐ : First choice
 The protective boot need to be ordered separately, see page accessories.

1: In order to get a black Chrome over Nickel please replace «S» before the «D» by one «N». Example: JBX Straight Plug, size 0, 5 solder contacts, male insert = JBXFH0G05MSNDSR.

☁ : Sealed in Unmated Condition

JBX0-05 - IP68 (5 x Ø 0.7mm) - See non sealed IP40 version page 80

Dimensions (For mated connector lengths see page 85)



Note: all dimensions are in mm

JBX0-05 - IP40 & IP68 (5 x Ø 0.7mm)

Accessories

Receptacle Dust Cap




Part number
JBXBRØ

Plug Dust Cap




Part number
JBXBFØ

Grounding Washer



Part number
JAXRAØ251

Insulating Washer



Part number	Color
JBXØRIA	Blue
JBXØRIB	White
JBXØRIG	Grey
JBXØRIJ	Yellow
JBXØRIM	Brown
JBXØRIN	Black
JBXØRIR	Red
JBXØRIV	Green
JBXØRIO	Orange

Note : Insulating washers are not compatible with the IP68 versions

Protective Boot

Available only for PC - FC - FD - FM - FN - SR - FH, with back nut protective boot 



Part number	Color
JBXØMPA	Blue
JBXØMPB	White
JBXØMPG	Grey
JBXØMPJ	Yellow
JBXØMPM	Brown
JBXØMPN	Black
JBXØMPR	Red
JBXØMPV	Green
JBXØMPO	Orange

The overall length is 17 mm longer with the protective boot.
Note: The protective boot is not a sealing element.


Tooling

Crimp Tooling



Part number
MIL-22520/7-01

Locator



Part number	
Male	Female
JBXØOUTLPØ7	JBXØOUTLSØ7

Extraction Tool



Part number
JBXOUTDCØ7

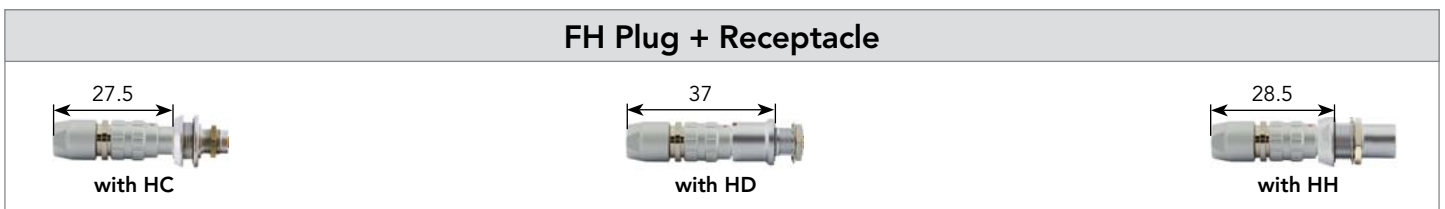
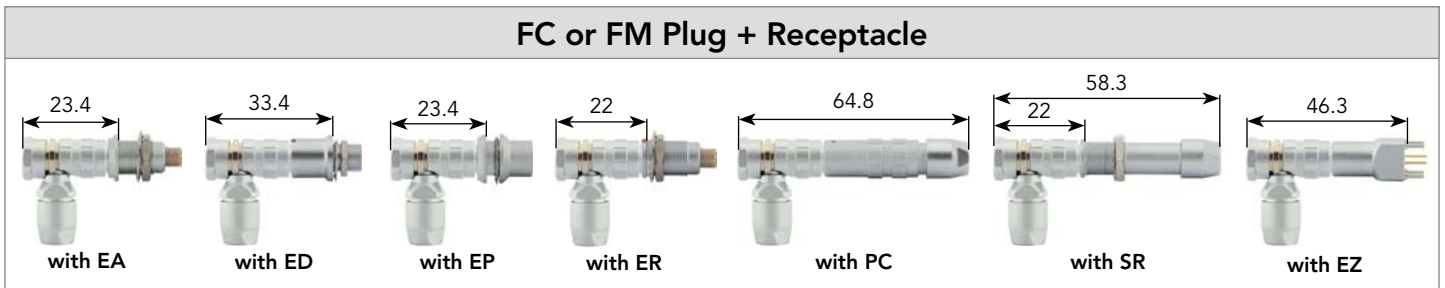
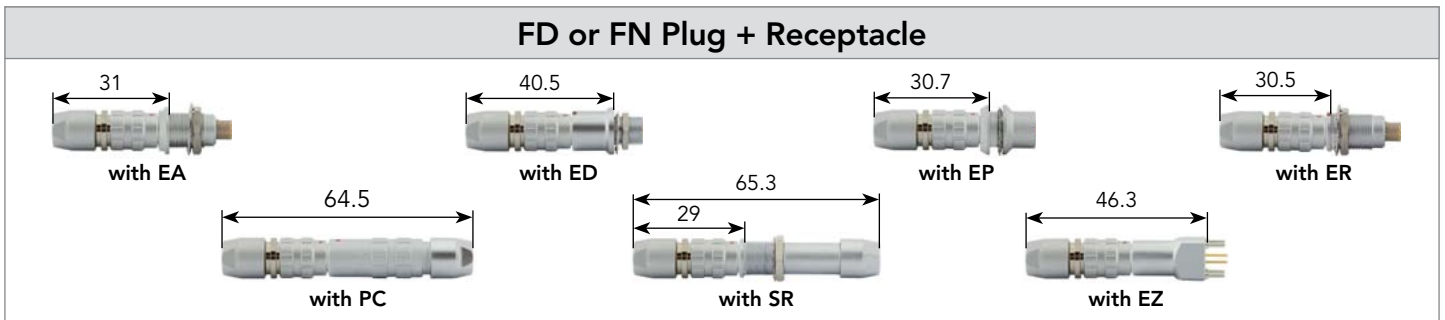
JBX0-05 - IP40 & IP68 (5 x Ø 0.7mm)

Contacts

Ø 0.7 mm	Contact type	Plating	Contact locking type	AWG
Solder	Machined	0.5 µm gold over 3 to 5 µm Ni	Fixed	22
Crimp	Machined	0.5 µm gold over 3 to 5 µm Ni	Removable	22 - 24 - 26
Straight PCB	Machined	0.5 µm gold over 3 to 5 µm Ni	Fixed	-
90° PCB	Machined	0.5 µm gold over 3 to 5 µm Ni	Removable	-

For more information see pages 231 to 234

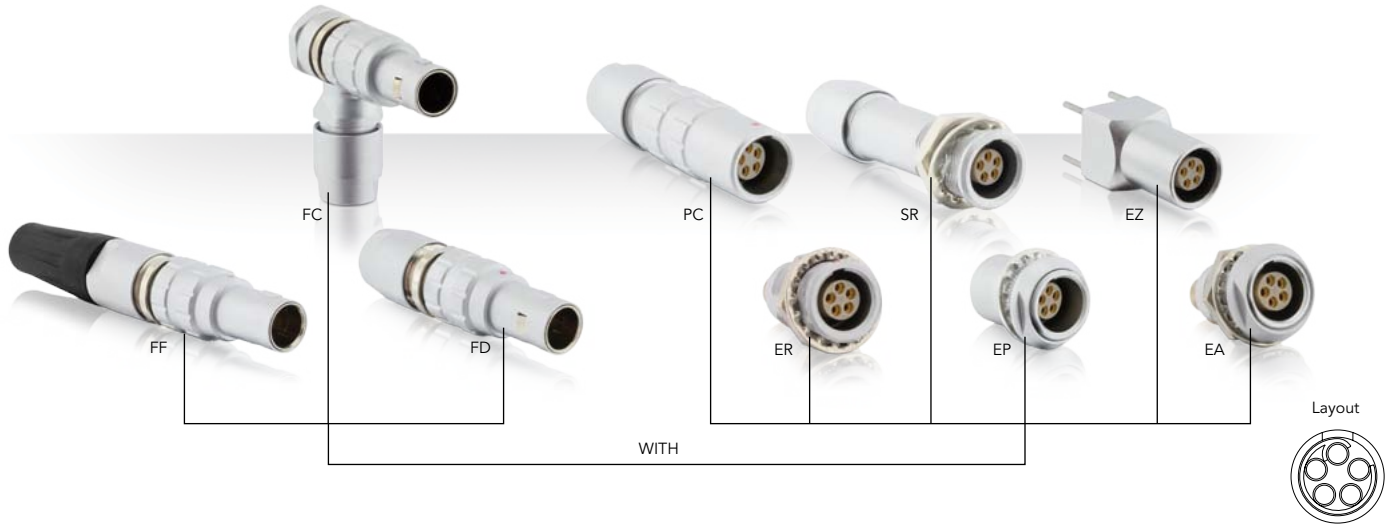
Mated Connector Length



Electrical Characteristics
<p>UL 6.5A 400V UL94 V-0</p>

Note: all dimensions are in mm

JBX1-05 - IP40 (5 x Ø 0.9 mm)



Connector Part Number

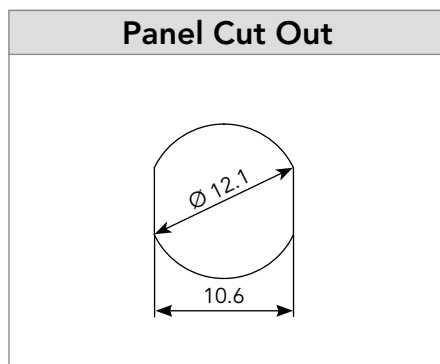
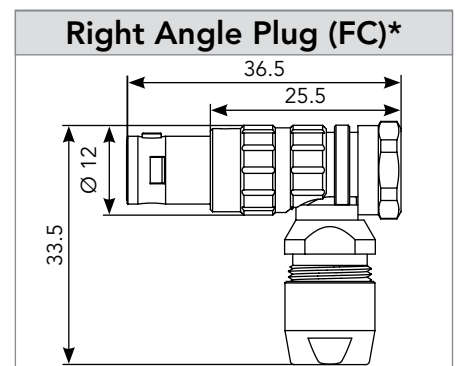
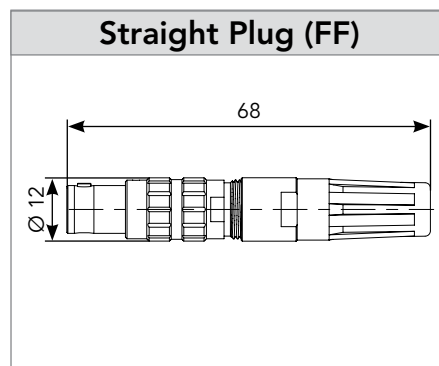
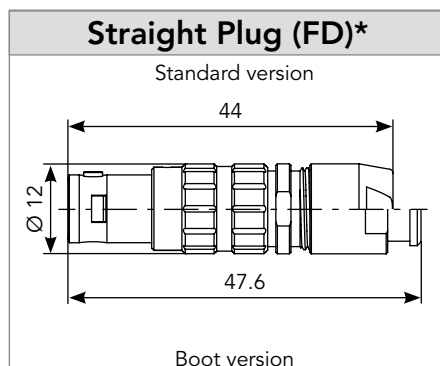
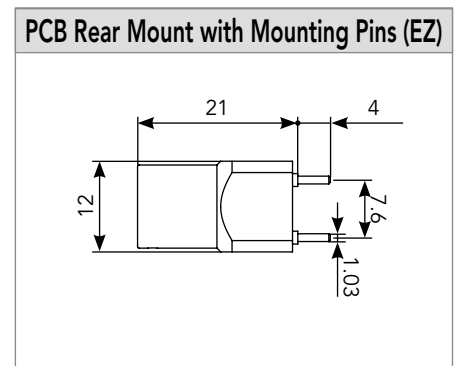
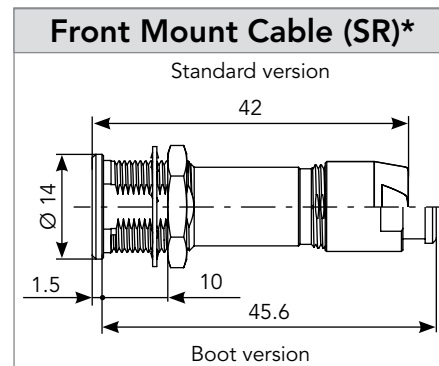
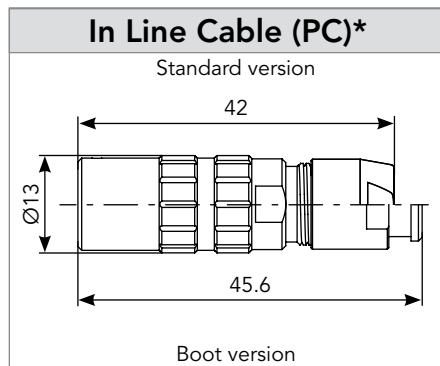
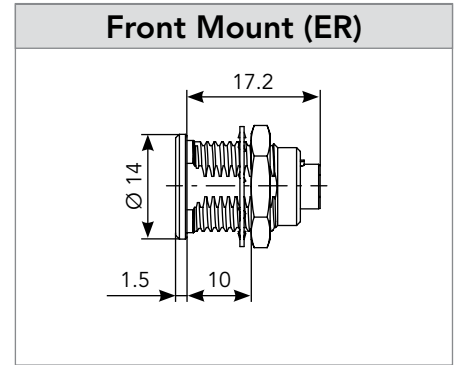
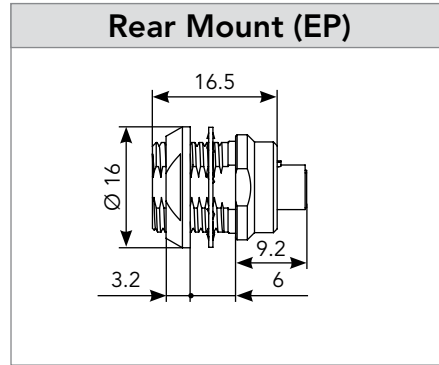
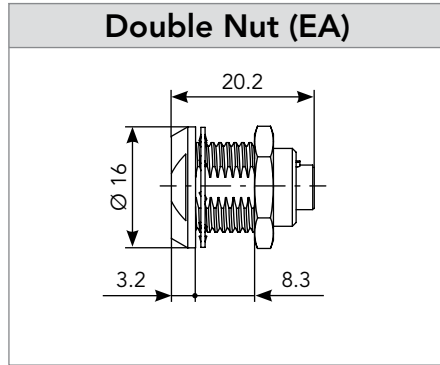
Contact type	Connector type	Description	Part number ⁽¹⁾	
			Male insert	Female insert
Solder contacts see page 89	Receptacle	Double nut (EA)	JBXEA1G05MSSDS	JBXEA1G05FSSDS
		Rear mount (EP)	JBXEP1G05MSSDS	JBXEP1G05FSSDS
		Front mount (ER)	JBXER1G05MSSDSR	JBXER1G05FSSDSR
		In line cable (PC) *	JBXPC1G05MSSDSR	JBXPC1G05FSSDSR
		Front mount cable (SR) *	JBXSR1G05MSSDSR	JBXSR1G05FSSDSR
	Plug	Straight plug (FD) *	JBXFD1G05MSSDSR	JBXFD1G05FSSDSR
Straight plug no latch (FF) with black protective boot		JBXFF1G05MSSDSR	JBXFF1G05FSSDSR	
Crimp contacts see page 89	Receptacle	Double nut (EA)	JBXEA1G05MCSDS	JBXEA1G05FCSDS
		Front mount (ER)	JBXER1G05MCSDSR	JBXER1G05FCSDSR
		In line cable (PC) *	JBXPC1G05MCSDSR	JBXPC1G05FCSDSR
	Plug	Right angle plug (FC) *	JBXFC1G05MCSDSR	JBXFC1G05FCSDSR
		Straight plug (FD) *	JBXFD1G05MCSDSR	JBXFD1G05FCSDSR
Straight PCB contacts see page 89	Receptacle	Double nut (EA)	-	JBXEA1G05FPSDS
		Front mount (ER)	-	JBXER1G05FPSDSR
		PCB rear mount with mounting pins (EZ)	-	JBXEZ1G05FPSDSR
90° PCB contacts see page 89	Receptacle	Double nut (EA)	-	JBXEA1G05FQSDS
		Rear mount (EP)	-	JBXEP1G05FQSDS

* In order to get the back nut for protective boot please add «M» after the last «S». Example: JBX Straight Plug, size 1, 5 solder contacts, male insert = JBXFD1G05MSSDSMR. ■ : First choice
The protective boot need to be ordered separately, see page accessories.

(1): In order to get a black Chrome over Nickel please replace «S» before the «D» by one «N». Example: JBX Straight Plug, size 1, 5 solder contacts, male insert = JBXFD1G05MSNDSR.

JBX1-05 - IP40 (5 x Ø 0.9 mm)

Dimensions (For mated connector lengths see page 89)



Note: all dimensions are in mm

JBX1-05 - IP40 (5 x Ø 0.9 mm)

Receptacle Dust Cap




Part number
JBXBR1

Plug Dust Cap




Part number
JBXBF1

Grounding Washer



Part number
JAXRA1251

Insulating Washer



Part number	Color
JBX1RIA	Blue
JBX1RIB	White
JBX1RIG	Grey
JBX1RIJ	Yellow
JBX1RIM	Brown
JBX1RIN	Black
JBX1RIR	Red
JBX1RIV	Green
JBX1RIO	Orange

Note : Insulating washers are not compatible with the IP68 versions

Protective Boot

Available only for PC - FC - FD - SR, with back nut protective boot 



Part number	Color
JBX1MPA	Blue
JBX1MPB	White
JBX1MPG	Grey
JBX1MPJ	Yellow
JBX1MPM	Brown
JBX1MPN	Black
JBX1MPR	Red
JBX1MPV	Green
JBX1MPO	Orange

The overall length is 21 mm longer with the protective boot.
Note: The protective boot is not a sealing element.


Tooling

Crimp Tooling



Part number
MIL-22520/7-01

Locator



Part number	
Male	Female
JBX10UTLP09	JBX10UTLS09

Extraction Tool



Part number
JBX0UTDC09

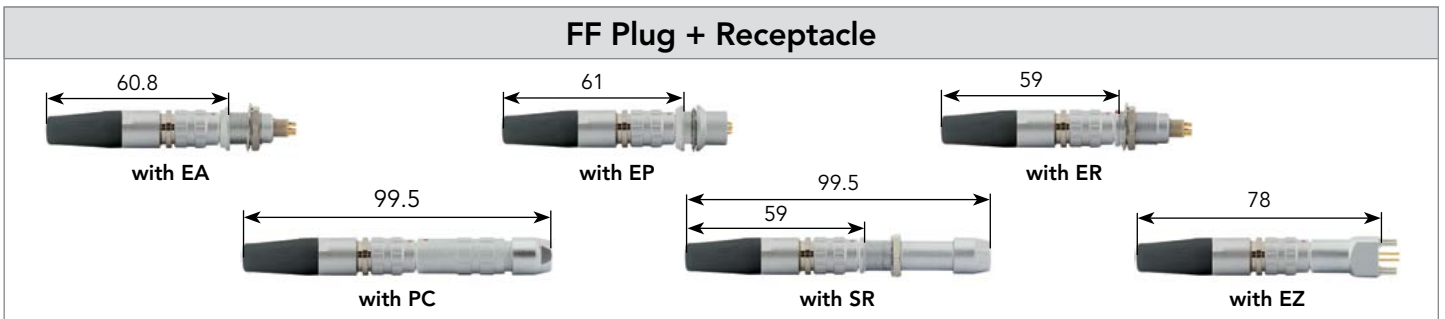
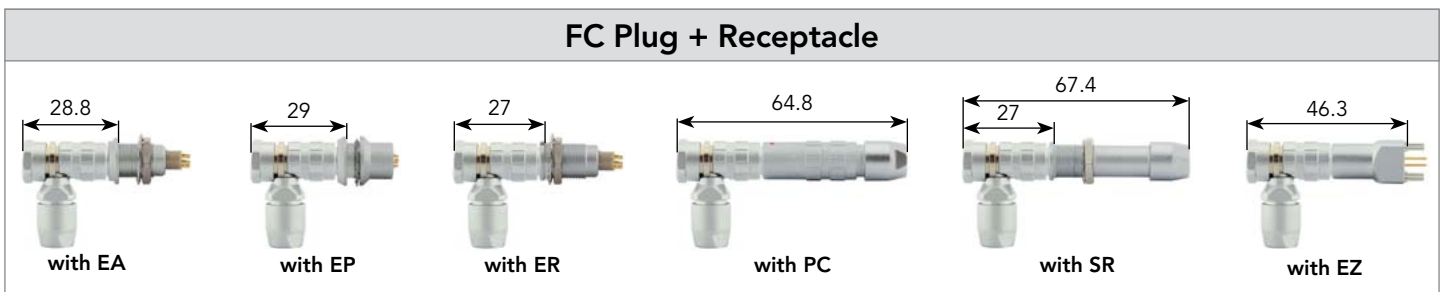
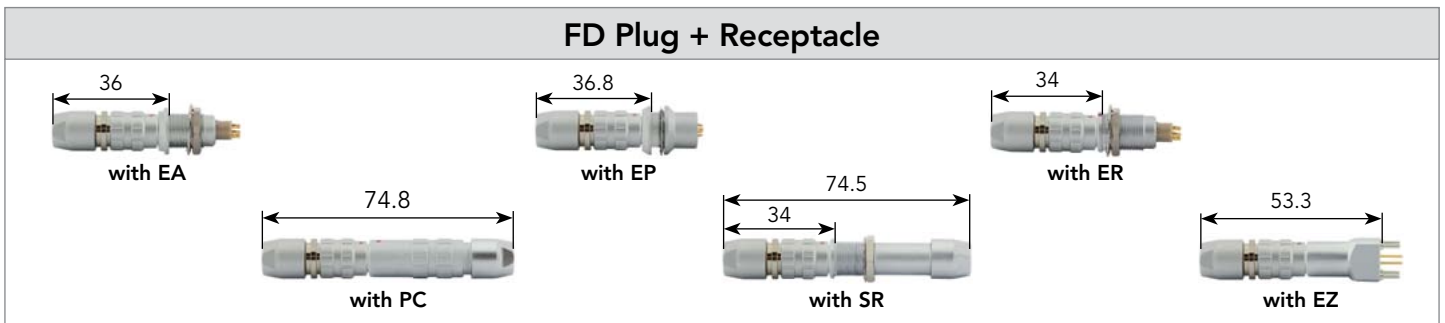
JBX1-05 - IP40 (5 x Ø 0.9 mm)

Contacts

Ø 0.9 mm	Contact type	Plating	Contact locking type	AWG
Solder	Machined	0.5 µm gold over 3 to 5 µm Ni	Removable	24
Crimp	Machined	0.5 µm gold over 3 to 5 µm Ni	Removable	20 - 22 - 24
Straight PCB	Machined	0.5 µm gold over 3 to 5 µm Ni	Fixed	-
90° PCB	Machined	0.5 µm gold over 3 to 5 µm Ni	Removable	-

For more information see pages 231 to 234

Mated Connector Length

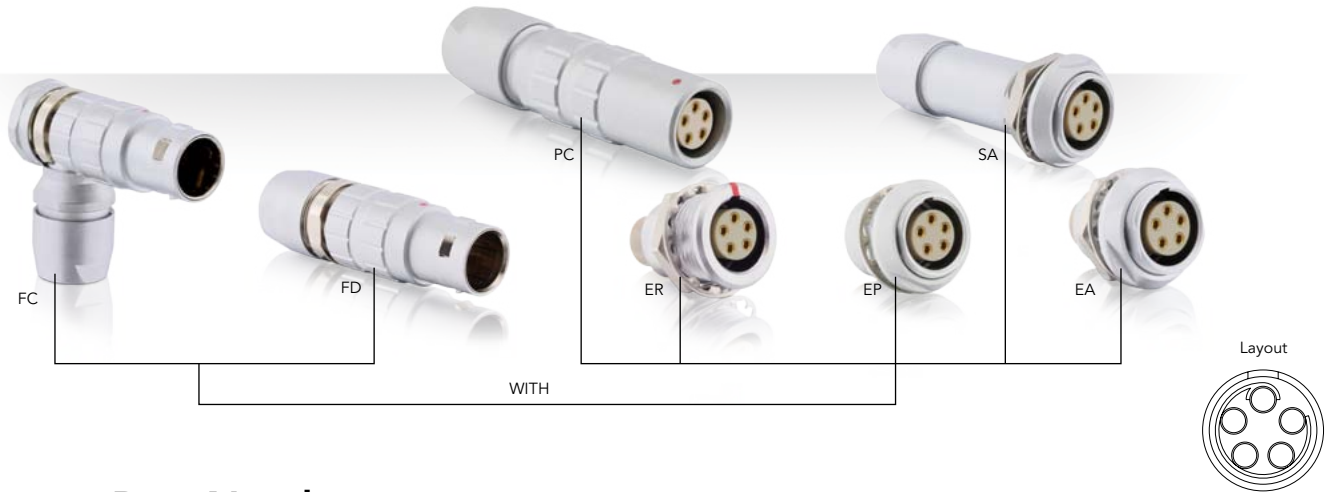


Electrical Characteristics

UL
9A 660V UL94 V-0

Note: all dimensions are in mm

JBX2-05 - IP40 (5 x Ø 1.3 mm) - See waterproof IP68 version page 92



Connector Part Number

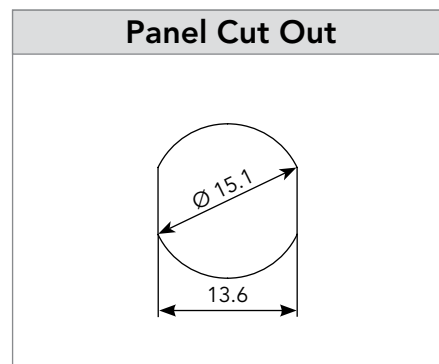
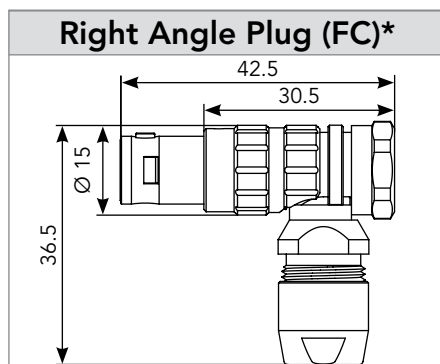
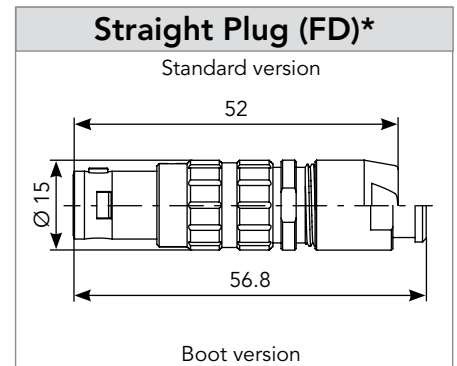
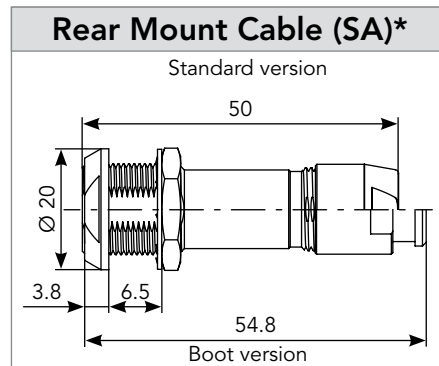
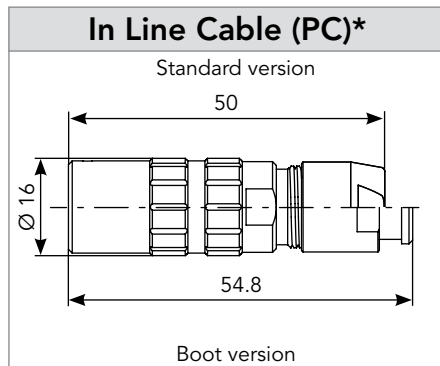
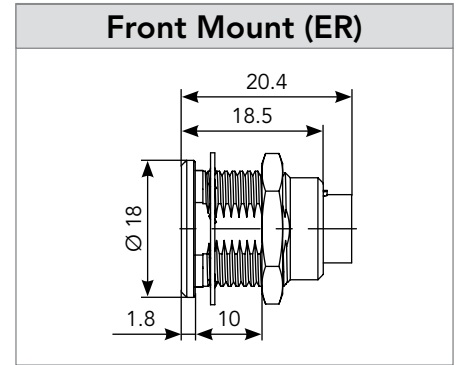
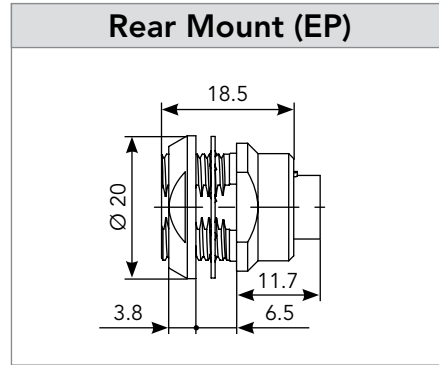
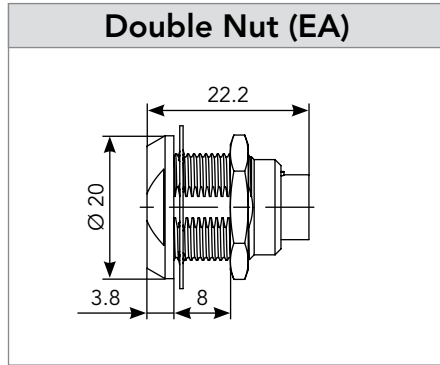
Contact type	Connector type	Description	Part number ⁽¹⁾	
			Male insert	Female insert
Solder contacts see page 95	Receptacle	Double nut (EA)	JBXEA2G05MSSDS	JBXEA2G05FSSDS
		Rear mount (EP)	JBXEP2G05MSSDS	JBXEP2G05FSSDS
		Front mount (ER)	JBXER2G05MSSDSR	JBXER2G05FSSDSR
		In line cable (PC) *	JBXPC2G05MSSDSR	JBXPC2G05FSSDSR
	Plug	Straight plug (FD) *	JBXFD2G05MSSDSR	JBXFD2G05FSSDSR
Crimp contacts see page 95	Receptacle	Double nut (EA)	JBXEA2G05MCSDS	JBXEA2G05FCSDS
		Rear mount (EP)	JBXEP2G05MCSDS	JBXEP2G05FCSDS
		Front mount (ER)	JBXER2G05MCSDSR	JBXER2G05FCSDSR
		In line cable (PC) *	JBXPC2G05MCSDSR	JBXPC2G05FCSDSR
		Rear mount cable (SA) *	JBXSA2G05MCSDS	JBXSA2G05FCSDS
	Plug	Right angle plug (FC) *	JBXFC2G05MCSDSR	JBXFC2G05FCSDSR
		Straight plug (FD) *	JBXFD2G05MCSDSR	JBXFD2G05FCSDSR
Straight PCB contacts see page 95	Receptacle	Double nut (EA)	JBXEA2G05MPSDS	JBXEA2G05FPSDS
		Rear mount (EP)	JBXEP2G05MPSDS	JBXEP2G05FPSDS
		Front mount (ER)	JBXER2G05MPSDSR	JBXER2G05FPSDSR

* In order to get the back nut for protective boot please add «M» after the last «S». Example: JBX Straight Plug, size 2, 5 solder contacts, male insert = JBXFD2G05MSSDSMR. : First choice
The protective boot need to be ordered separately, see page accessories.

(1): In order to get a black Chrome over Nickel please replace «S» before the «D» by one «N». Example: JBX Straight Plug, size 2, 5 solder contacts, male insert = JBXFD2G05MSNDSR.

JBX2-05 - IP40 (5 x Ø 1.3 mm) - See waterproof IP68 version page 92

Dimensions (For mated connector lengths see page 95)



Note: all dimensions are in mm

JBX2-05 - IP68 (5 x Ø 1.3 mm) - See non sealed IP40 version page 90



Connector Part Number

Contact type	Connector type	Description	Part number ⁽¹⁾	
			Male insert	Female insert
Solder contacts see page 95	Receptacle	Double nut, front or rear mount (EC)	JBXEC2G05MSSDS	JBXEC2G05FSSDS
		Front mount extended (HH) ☁	JBXHH2G05MSSDSR	JBXHH2G05FSSDSR
	Plug	Straight plug (FH) *	JBXFH2G05MSSDSR	JBXFH2G05FSSDSR
Crimp contacts see page 95	Receptacle	Double nut, front or rear mount (EC)	JBXEC2G05MCSDS	JBXEC2G05FCSDS
		Front mount extended (HH)	JBXHH2G05MCSDSR	JBXHH2G05FCSDSR
	Plug	Straight plug (FH) *	JBXFH2G05MCSDSR	JBXFH2G05FCSDSR
Straight PCB contacts see page 95	Receptacle	Double nut, front or rear mount (EC)	JBXEC2G05MPSDS	JBXEC2G05FPSDS

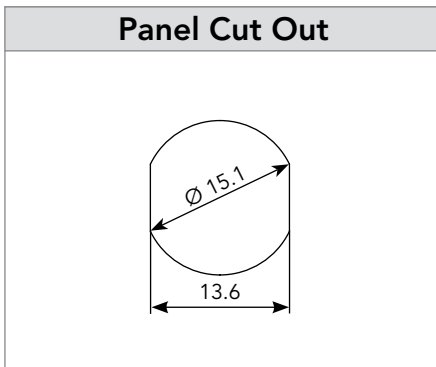
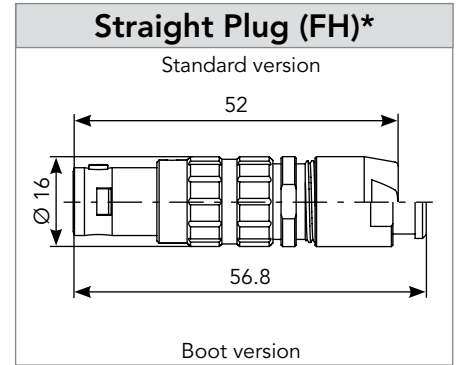
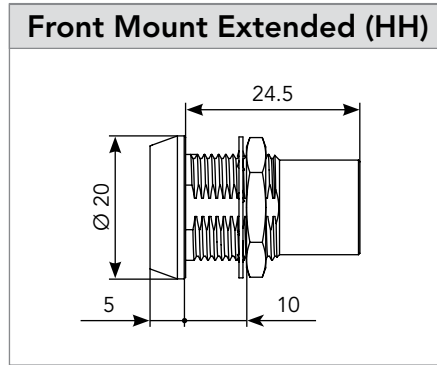
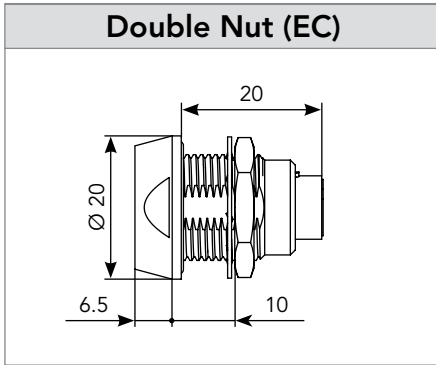
* In order to get the back nut for protective boot please add «M» after the last «S». Example: JBX Straight Plug, size 2, 5 solder contacts, male insert = JBXFH2G05MSSDSMR. The protective boot need to be ordered separately, see page accessories.

1: In order to get a black Chrome over Nickel please replace «S» before the «D» by one «N». Example: JBX Straight Plug, size 2, 5 solder contacts, male insert = JBXFH2G05MNSDSR.

☁ : Sealed in Unmated Condition

JBX2-05 - IP68 (5 x Ø 1.3 mm) - See non sealed IP40 version page 90

Dimensions (For mated connector lengths see page 95)



JBX2-05 - IP40 & IP68 (4 x Ø 1.3 mm)

Accessories

Receptacle Dust Cap




Part number
JBXBR2

Plug Dust Cap




Part number
JBXBF2

Grounding Washer



Part number
JAXRA2252

Insulating Washer



Part number	Color
JBX2RIA	Blue
JBX2RIB	White
JBX2RIG	Grey
JBX2RIJ	Yellow
JBX2RIM	Brown
JBX2RIN	Black
JBX2RIR	Red
JBX2RIV	Green
JBX2RIO	Orange

Note : Insulating washers are not compatible with the IP68 versions

Protective Boot

Available only for PC - FC - FD - SA, FH, with back nut protective boot 



Part number	Color
JBX2MPA	Blue
JBX2MPB	White
JBX2MPG	Grey
JBX2MPJ	Yellow
JBX2MPM	Brown
JBX2MPN	Black
JBX2MPR	Red
JBX2MPV	Green
JBX2MPO	Orange

The overall length is 25 mm longer with the protective boot.
Note: The protective boot is not a sealing element.


Tooling

Crimp Tooling



Part number
MIL-22520/7-01

Locator



Part number	
Male	Female
JBX20UTLP13	JBX20UTLS13

Extraction Tool



Part number
JBX0UTDC13

JBX2-05 - IP40 & IP68 (4 x Ø 1.3 mm)

Contacts

Ø 1.3 mm	Contact type	Plating	Contact locking type	AWG
Solder	Machined	0.5 µm gold over 3 to 5 µm Ni	Removable	20
Crimp	Machined	0.5 µm gold over 3 to 5 µm Ni	Removable	18 - 20 - 22
Straight PCB	Machined	0.5 µm gold over 3 to 5 µm Ni	Fixed	-

For more information see pages 231 to 233

Mated Connector Length

FD Plug + Receptacle

with EA with EP with ER with PC with SA

FC Plug + Receptacle

with EA with EP with ER with PC with SA

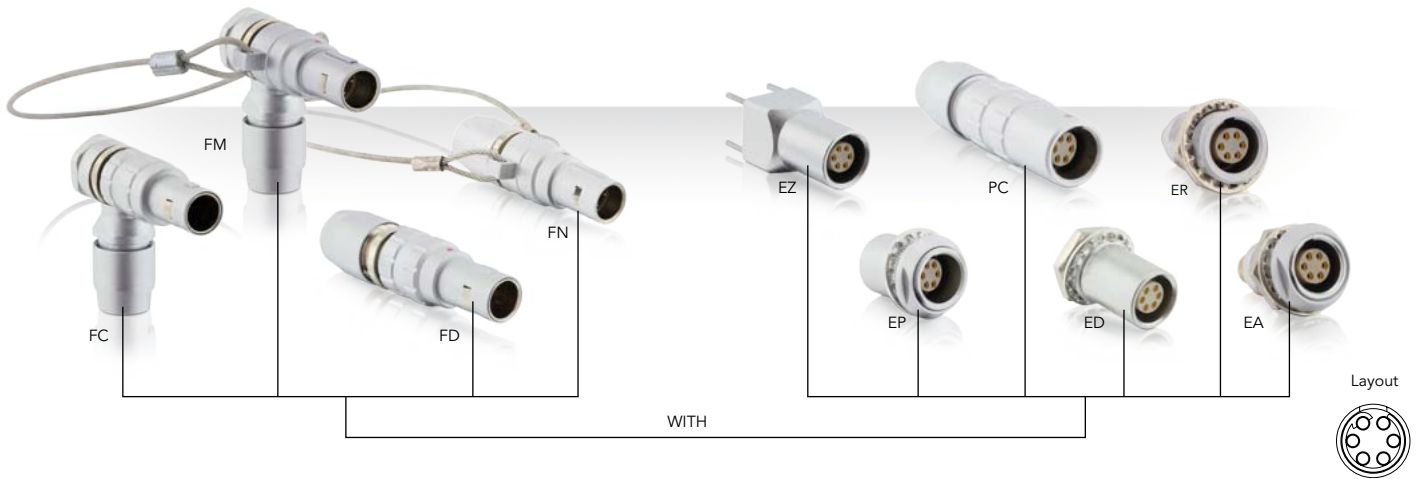
FH Plug + Receptacle

with EC with HH

Electrical Characteristics
<p>UL 14A 900V UL94 V-0</p>

Note: all dimensions are in mm

JBX0-06 - IP40 (6 x Ø 0.5mm) - See waterproof IP68 version page 98



Connector Part Number

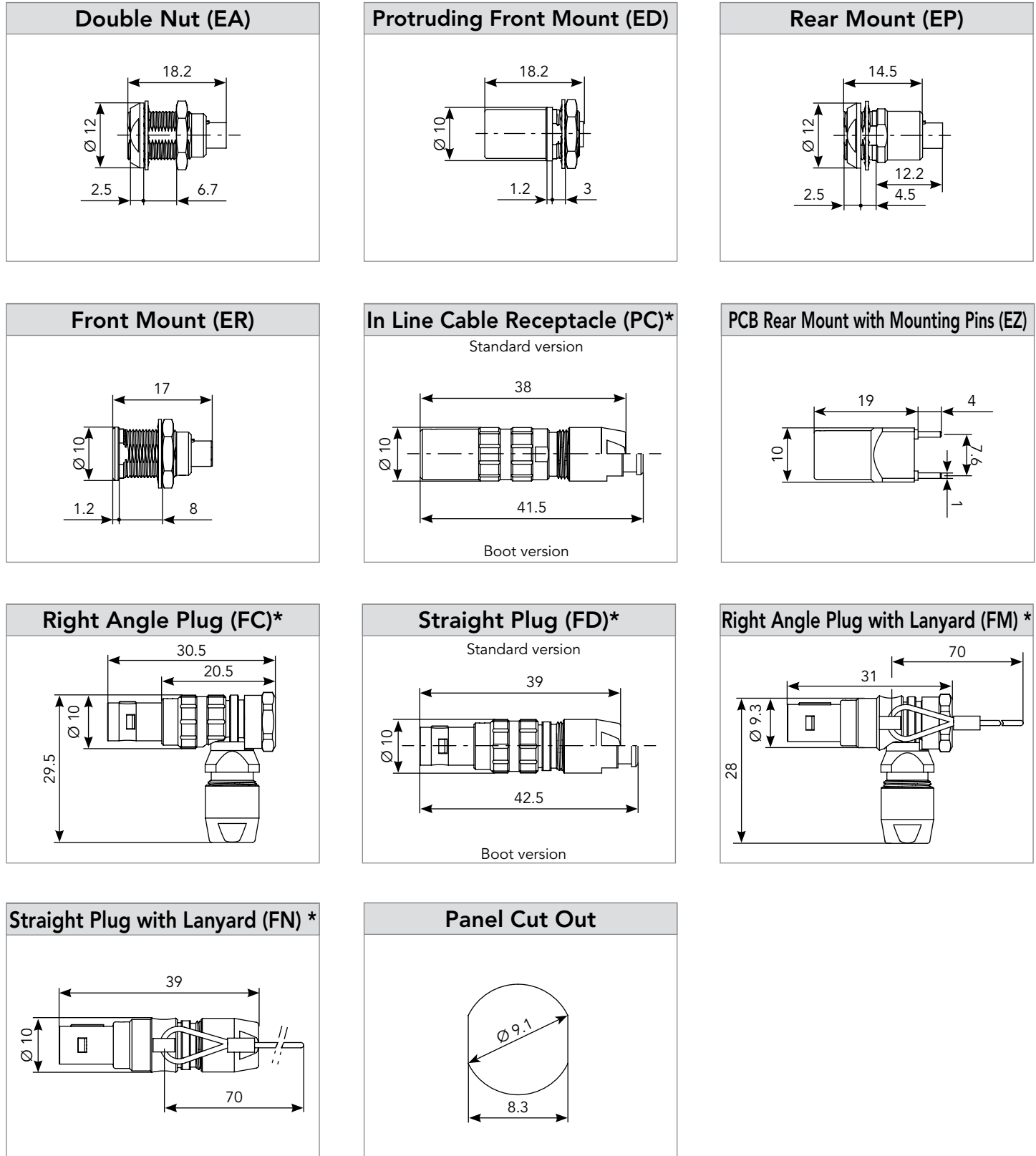
Contact type	Connector type	Description	Part number ⁽¹⁾	
			Male insert	Female insert
Solder contacts see page 101	Receptacle	Double nut (EA)	JBXEA0G06MSSDS	JBXEA0G06FSSDS
		Protruding front mount (ED)	JBXED0G06MSSDSR	JBXED0G06FSSDSR
		Rear mount (EP)	JBXEP0G06MSSDS	JBXEP0G06FSSDS
		Front mount (ER)	JBXER0G06MSSDSR	JBXER0G06FSSDSR
		In line cable (PC) *	JBXPC0G06MSSDSR	JBXPC0G06FSSDSR
	Plug	Right angle plug (FC) *	JBXFC0G06MSSDSR	JBXFC0G06FSSDSR
		Straight plug (FD) *	JBXFD0G06MSSDSR	JBXFD0G06FSSDSR
		Right Angle plug with lanyard (FM) *	JBXFM0G06MSSDSR	JBXFM0G06FSSDSR
Straight PCB contacts see page 101	Receptacle	Straight plug with lanyard (FN) *	JBXFN0G06MSSDSR	JBXFN0G06FSSDSR
		Double nut (EA)	JBXEA0G06MPSDS	JBXEA0G06FPSDS
		Rear mount (EP)	JBXEP0G06MPSDS	JBXEP0G06FPSDS
		PCB rear mount with mounting pins (EZ)	JBXEZ0G06MPSDSR	JBXEZ0G06FPSDSR

* In order to get the back nut for protective boot please add «M» after the last «S». Example: JBX Straight Plug, size 0, 6 solder contacts, male insert = JBXFD0G06MSSDSMR. : First choice
The protective boot need to be ordered separately, see page accessories.

(1): In order to get a black Chrome over Nickel please replace «S» before the «D» by one «N». Example: JBX Straight Plug, size 0, 6 solder contacts, male insert = JBXFD0G06MSNDSR.

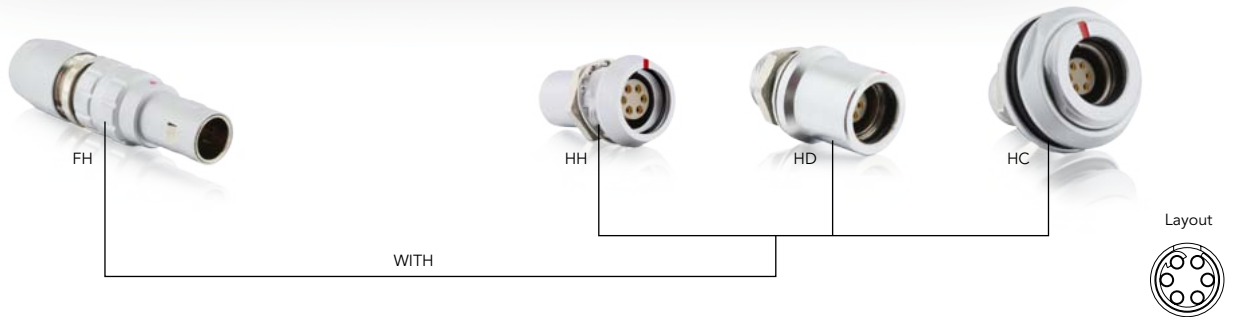
JBX0-06 - IP40 (6 x Ø 0.5mm) - See waterproof IP68 version page 98

Dimensions (For mated connector lengths see page 101)



Note: all dimensions are in mm

JBX0-06 - IP68 (6 x Ø 0.5mm) - See non sealed IP40 version page 96



Connector Part Number

Contact type	Connector type	Description	Part number ⁽¹⁾	
			Male insert	Female insert
Solder contacts see page 101	Receptacle	Rear mount (HC) ☁	JBXHC0G06MSSDSR	JBXHC0G06FSSDSR
		Protruding front mount (HD) ☁	JBXHD0G06MSSDSR	JBXHD0G06FSSDSR
		Front mount extended (HH) ☁	JBXHH0G06MSSDSR	JBXHH0G06FSSDSR
	Plug	Straight plug (FH) *	JBXFH0G06MSSDSR	JBXFH0G06FSSDSR
Straight PCB contacts see page 101	Receptacle	Rear mount (HC) ☁	JBXHC0G06MPSDSR	JBXHC0G06FPSDSR

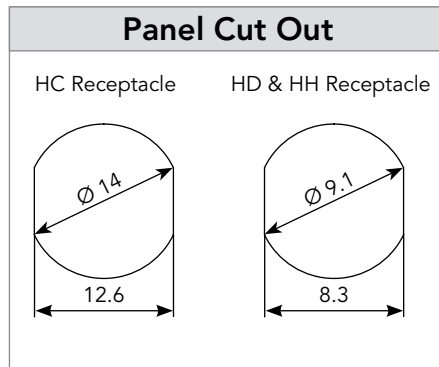
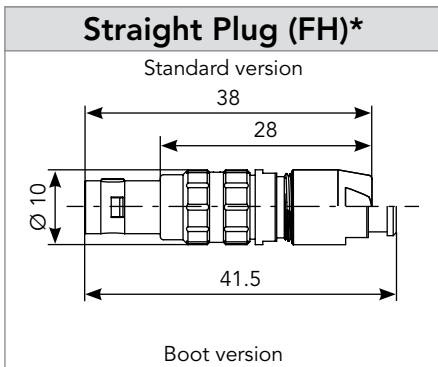
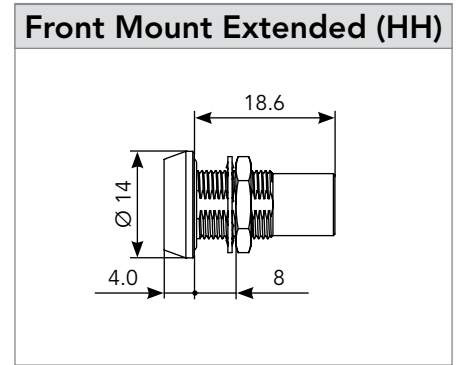
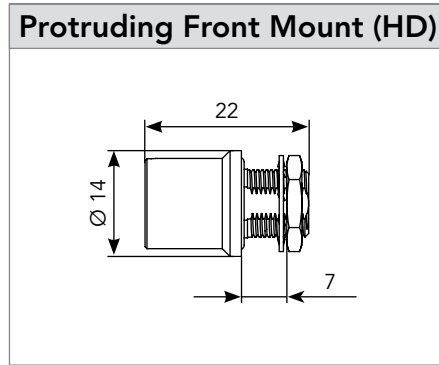
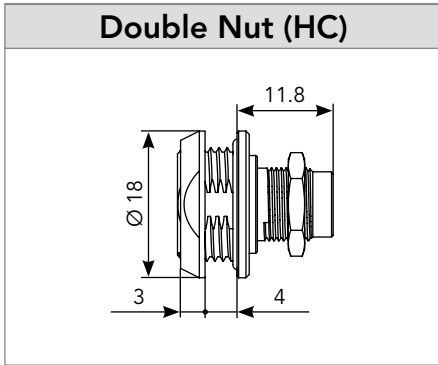
* In order to get the back nut for protective boot please add «M» after the last «S». Example: JBX Straight Plug, size 0, 6 solder contacts, male insert = JBXFH0G06MSSDSMR. : First choice
 The protective boot need to be ordered separately, see page accessories.

1: In order to get a black Chrome over Nickel please replace «S» before the «D» by one «N». Example: JBX Straight Plug, size 0, 6 solder contacts, male insert = JBXFH0G06MSNDSR.

☁ : Sealed in Unmated Condition

JBX0-06 - IP68 (6 x Ø 0.5mm) - See non sealed IP40 version page 96

Dimensions (For mated connector lengths see page 101)



Note: all dimensions are in mm

JBX0-06 - IP40 & IP68 (6 x Ø 0.5mm)

Accessories

Receptacle Dust Cap




Part number
JBXBRØ

Plug Dust Cap




Part number
JBXBFØ

Grounding Washer



Part number
JAXRAØ251

Insulating Washer



Part number	Color
JBXØRIA	Blue
JBXØRIB	White
JBXØRIG	Grey
JBXØRIJ	Yellow
JBXØRIM	Brown
JBXØRIN	Black
JBXØRIR	Red
JBXØRIV	Green
JBXØRIO	Orange

Note : Insulating washers are not compatible with the IP68 versions

Protective Boot

Available only for PC - FC - FD - FM - FN - FH,
with back nut protective boot 



Part number	Color
JBXØMPA	Blue
JBXØMPB	White
JBXØMPG	Grey
JBXØMPJ	Yellow
JBXØMPM	Brown
JBXØMPN	Black
JBXØMPR	Red
JBXØMPV	Green
JBXØMPO	Orange

The overall length is 17 mm longer with the protective boot.
Note: The protective boot is not a sealing element.

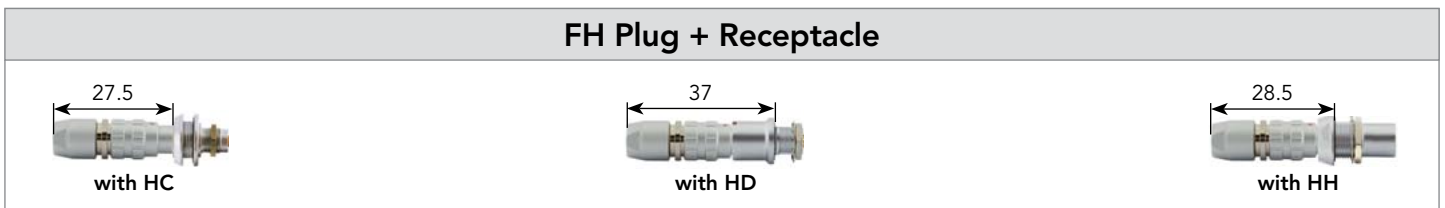
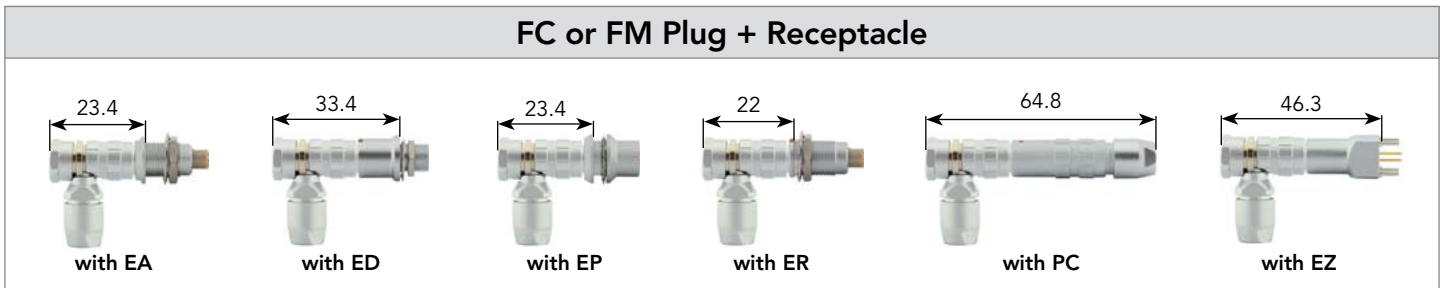
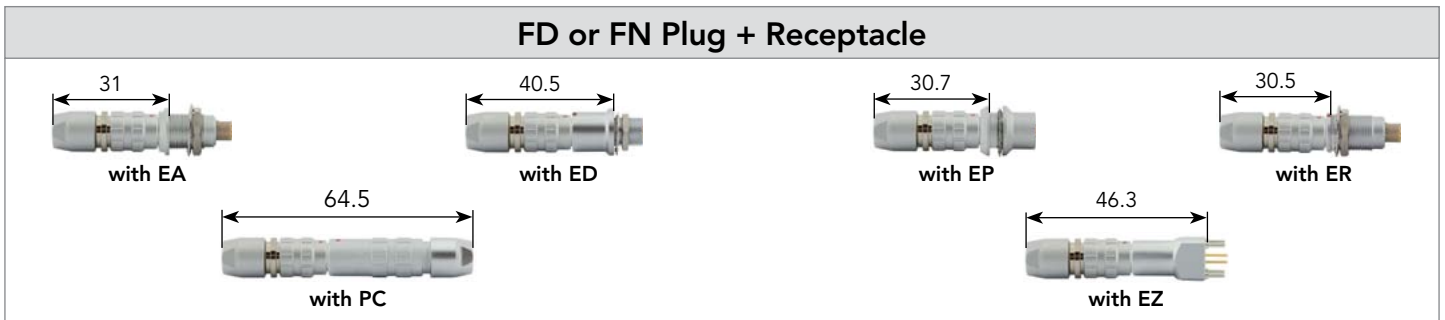
JBX0-06 - IP40 & IP68 (6 x Ø 0.5mm)

Contacts

Ø 0.5 mm	Contact type	Plating	Contact locking type	AWG - Wire max.
Solder	Machined	0.5 µm gold over 3 to 5 µm Ni	Fixed	28
Straight PCB	Machined	0.5 µm gold over 3 to 5 µm Ni	Fixed	-

For more information see pages 231 and 233

Mated Connector Length

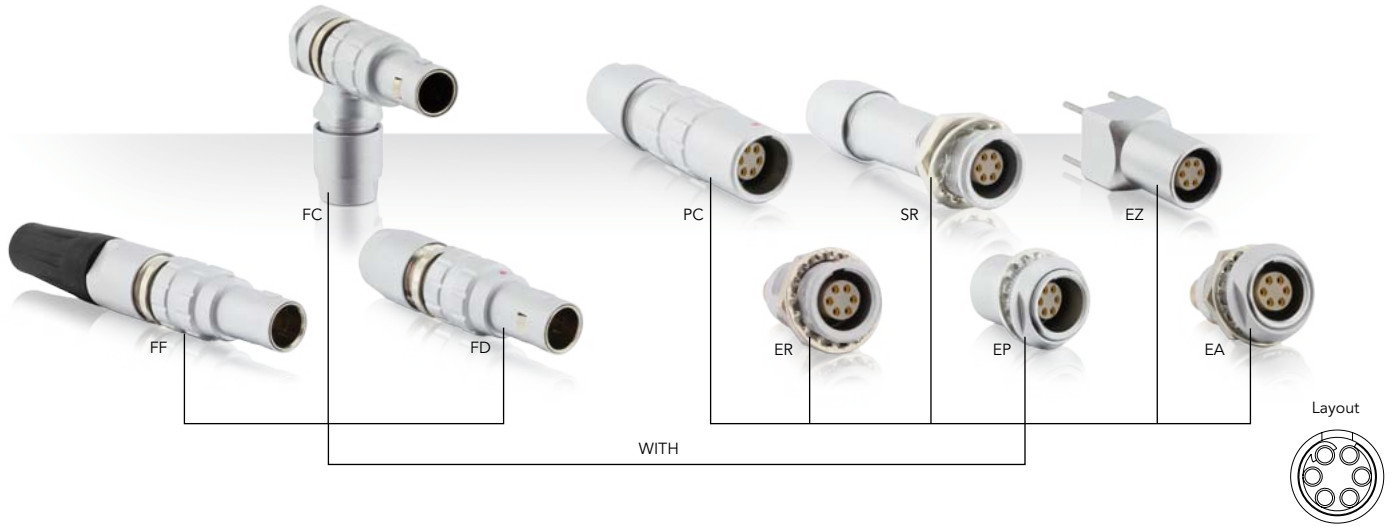


Electrical Characteristics

UL
2.5A 320V UL94 V-0

Note: all dimensions are in mm

JBX1-06 - IP40 (6 x Ø 0.7mm)



Connector Part Number

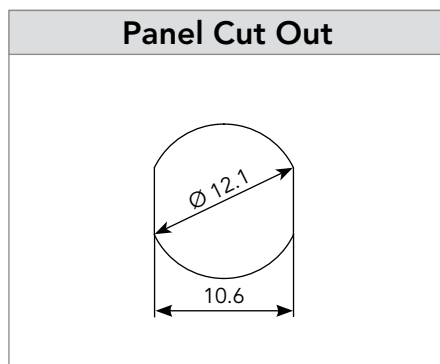
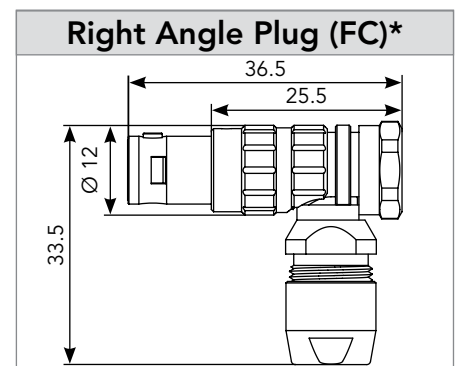
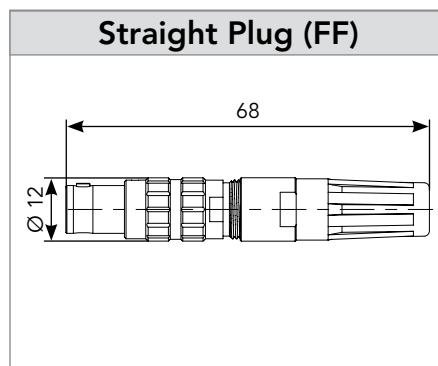
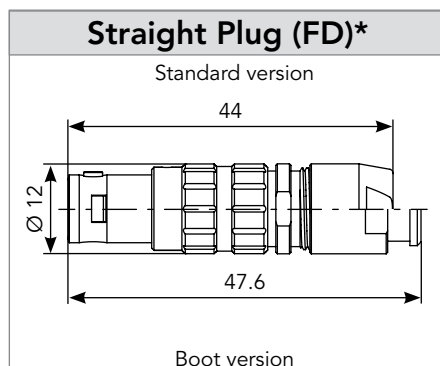
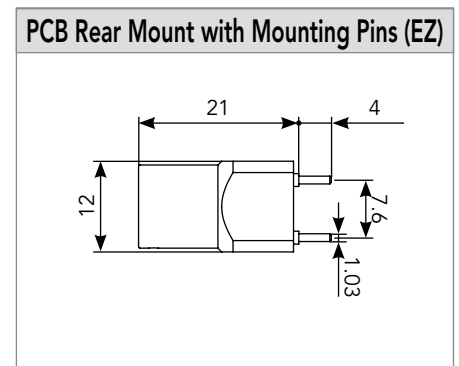
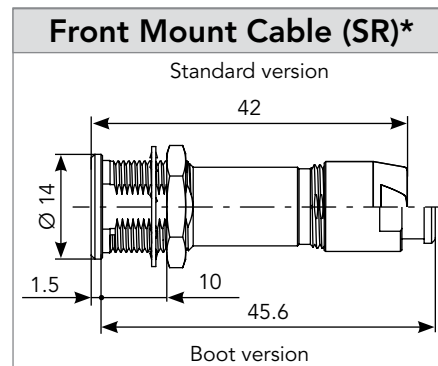
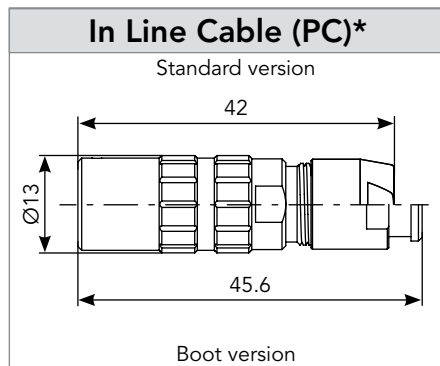
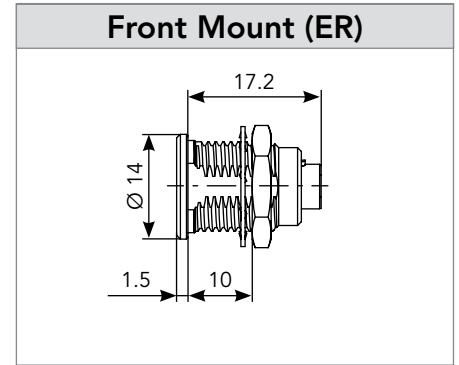
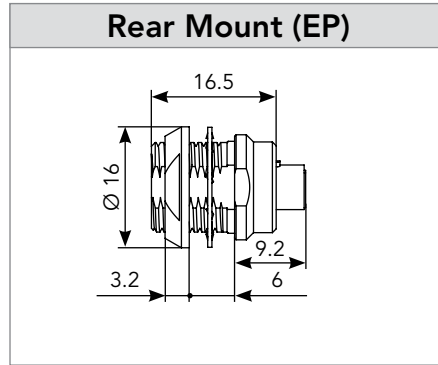
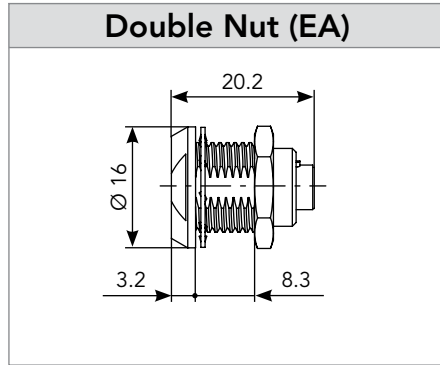
Contact type	Connector type	Description	Part number ⁽¹⁾	
			Male insert	Female insert
Solder contacts see page 105	Receptacle	Double nut (EA)	JBXEA1G06MSSDS	JBXEA1G06FSSDS
		Rear mount (EP)	JBXEP1G06MSSDS	JBXEP1G06FSSDS
		Front mount (ER)	JBXER1G06MSSDSR	JBXER1G06FSSDSR
		In line cable (PC) *	JBXPC1G06MSSDSR	JBXPC1G06FSSDSR
		Front mount cable (SR) *	JBXSR1G06MSSDSR	JBXSR1G06FSSDSR
	Plug	Straight plug (FD) *	JBXFD1G06MSSDSR	JBXFD1G06FSSDSR
Straight plug no latch (FF) with black protective boot		JBXFF1G06MSSDSR	JBXFF1G06FSSDSR	
Crimp contacts see page 105	Receptacle	Double nut (EA)	JBXEA1G06MCSDS	JBXEA1G06FCSDS
		Front mount (ER)	JBXER1G06MCSDSR	JBXER1G06FCSDSR
		In line cable (PC) *	JBXPC1G06MCSDSR	JBXPC1G06FCSDSR
	Plug	Right angle plug (FC) *	JBXFC1G06MCSDSR	JBXFC1G06FCSDSR
		Straight plug (FD) *	JBXFD1G06MCSDSR	JBXFD1G06FCSDSR
Straight PCB contacts see page 105	Receptacle	Double nut (EA)	JBXEA1G06MPSDS	JBXEA1G06FPSDS
		Front mount (ER)	JBXER1G06MPSDSR	JBXER1G06FPSDSR
		PCB rear mount with mounting pins (EZ)	JBXEZ1G06MPSDSR	JBXEZ1G06FPSDSR
90° PCB contacts see page 105	Receptacle	Double nut (EA)	-	JBXEA1G06FQSDS
		Rear mount (EP)	-	JBXEP1G06FQSDS

* In order to get the back nut for protective boot please add «M» after the last «S». Example: JBX Straight Plug, size 1, 6 solder contacts, male insert = JBXFD1G06MSSDSMR. ■ : First choice
The protective boot need to be ordered separately, see page accessories.

(1): In order to get a black Chrome over Nickel please replace «S» before the «D» by one «N». Example: JBX Straight Plug, size 1, 6 solder contacts, male insert = JBXFD1G06MSNDSR.

JBX1-06 - IP40 (6 x Ø 0.7mm)

Dimensions (For mated connector lengths see page 105)



Note: all dimensions are in mm

JBX1-06 - IP40 (6 x Ø 0.7mm)

Receptacle Dust Cap




Part number
JBXBR1

Plug Dust Cap




Part number
JBXBF1

Grounding Washer



Part number
JAXRA1251


Insulating Washer




Part number	Color
JBX1RIA	Blue
JBX1RIB	White
JBX1RIG	Grey
JBX1RIJ	Yellow
JBX1RIM	Brown
JBX1RIN	Black
JBX1RIR	Red
JBX1RIV	Green
JBX1RIO	Orange

Note : Insulating washers are not compatible with the IP68 versions

Protective Boot

Available only for PC - FC - FD - SR, with back nut protective boot 



Part number	Color
JBX1MPA	Blue
JBX1MPB	White
JBX1MPG	Grey
JBX1MPJ	Yellow
JBX1MPM	Brown
JBX1MPN	Black
JBX1MPR	Red
JBX1MPV	Green
JBX1MPO	Orange

The overall length is 21 mm longer with the protective boot.
Note: The protective boot is not a sealing element.


Tooling

Crimp Tooling



Part number
MIL-22520/7-01

Locator



Part number	
Male	Female
JBX10UTLP07	JBX10UTLS07

Extraction Tool



Part number
JBXOUTDC07

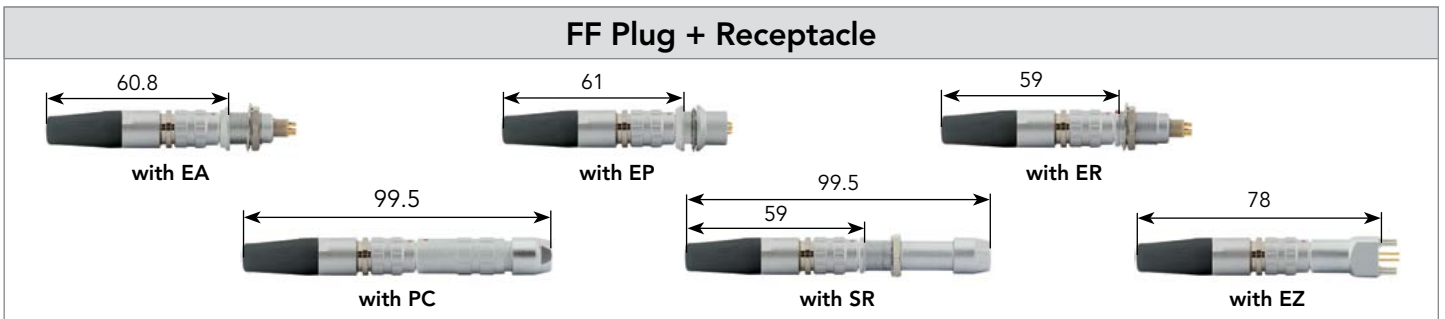
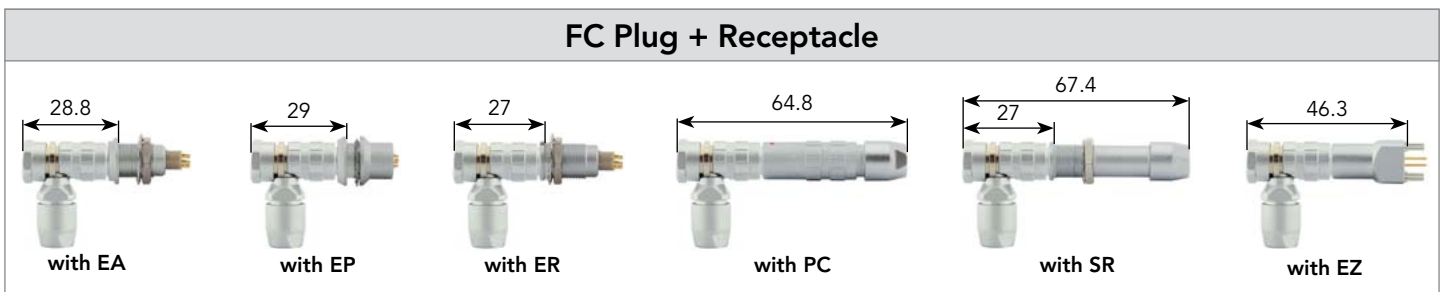
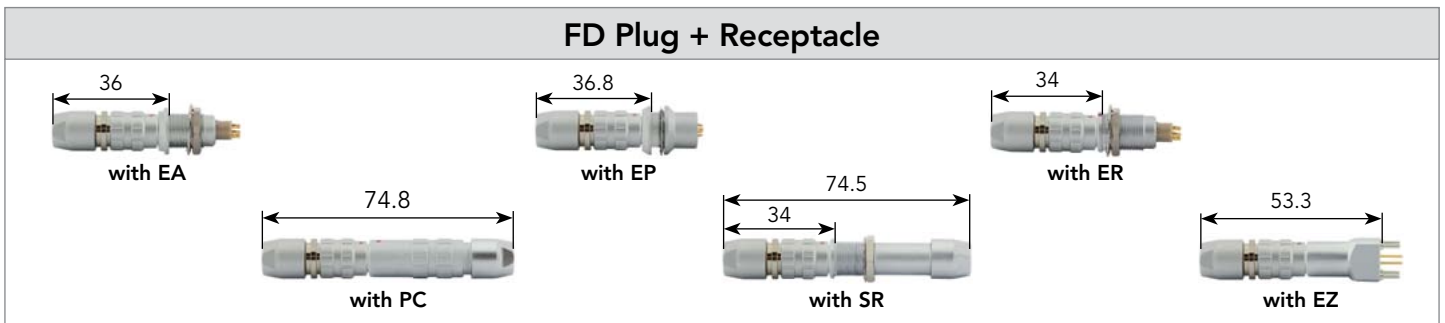
JBX1-06 - IP40 (6 x Ø 0.7mm)

Contacts

Ø 0.7 mm	Contact type	Plating	Contact locking type	AWG
Solder	Machined	0.5 µm gold over 3 to 5 µm Ni	Fixed	22
Crimp	Machined	0.5 µm gold over 3 to 5 µm Ni	Removable	22 - 24 - 26
Straight PCB	Machined	0.5 µm gold over 3 to 5 µm Ni	Fixed	-
90° PCB	Machined	0.5 µm gold over 3 to 5 µm Ni	Removable	-

For more information see pages 231 to 234

Mated Connector Length

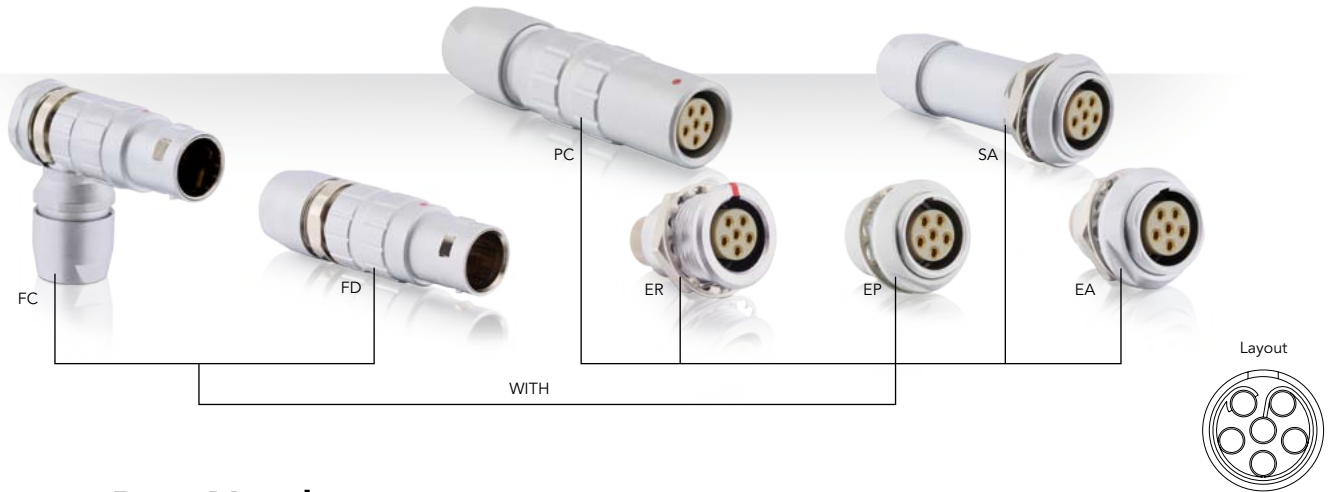


Electrical Characteristics

UL
7A 660V UL94 V-0

Note: all dimensions are in mm

JBX2-06 - IP40 (6 x Ø 1.3 mm) - See waterproof IP68 version page 108



Connector Part Number

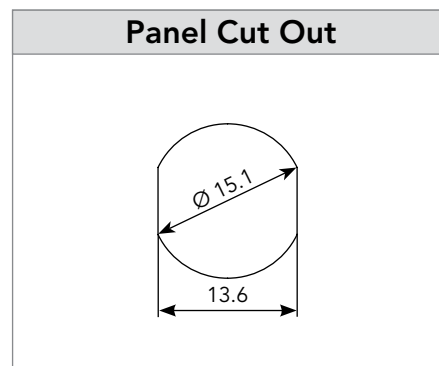
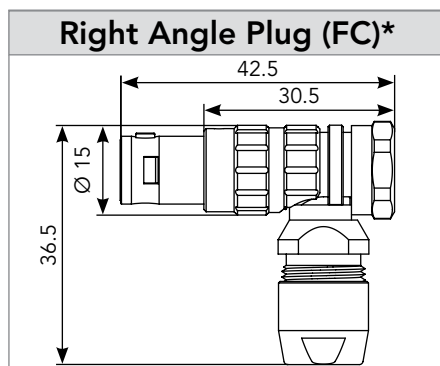
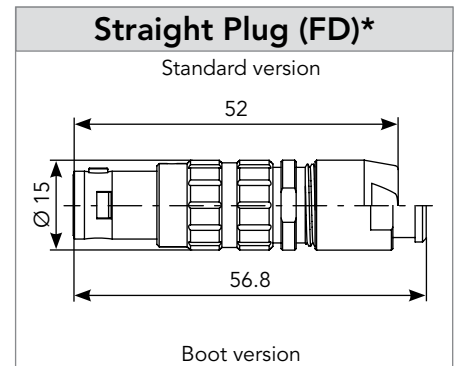
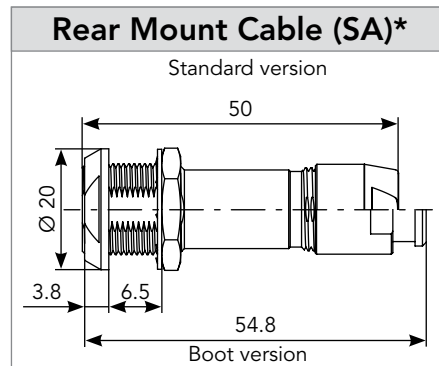
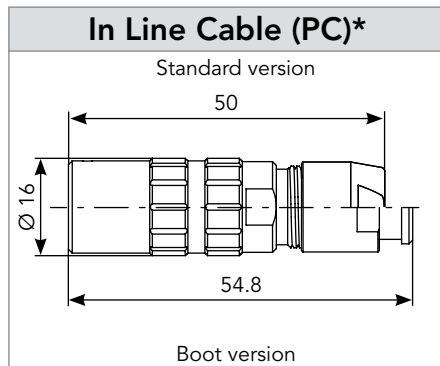
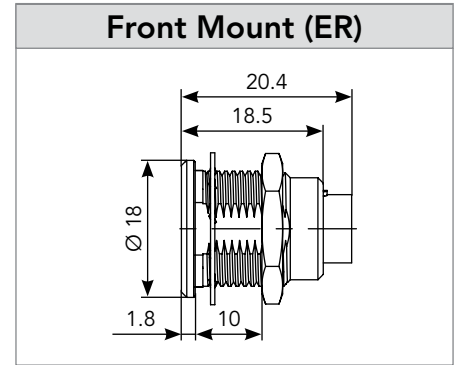
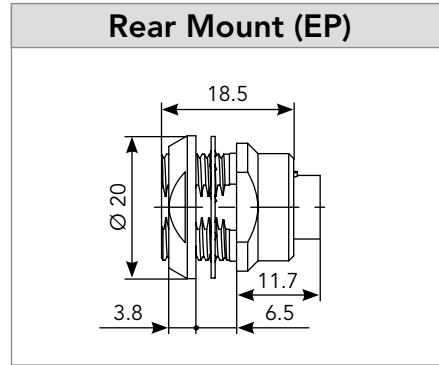
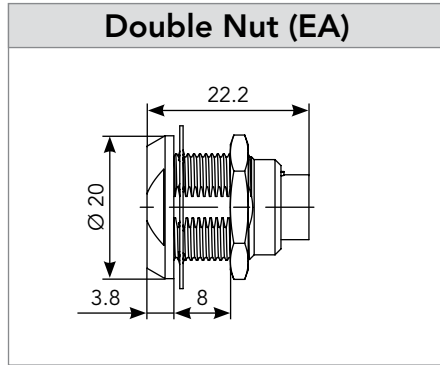
Contact type	Connector type	Description	Part number ⁽¹⁾	
			Male insert	Female insert
Solder contacts see page 110	Receptacle	Double nut (EA)	JBXEA2G06MSSDS	JBXEA2G06FSSDS
		Rear mount (EP)	JBXEP2G06MSSDS	JBXEP2G06FSSDS
		Front mount (ER)	JBXER2G06MSSDSR	JBXER2G06FSSDSR
		In line cable (PC) *	JBXPC2G06MSSDSR	JBXPC2G06FSSDSR
	Plug	Straight plug (FD) *	JBXFD2G06MSSDSR	JBXFD2G06FSSDSR
Crimp contacts see page 110	Receptacle	Double nut (EA)	JBXEA2G06MCSDS	JBXEA2G06FCSDS
		Rear mount (EP)	JBXEP2G06MCSDS	JBXEP2G06FCSDS
		Front mount (ER)	JBXER2G06MCSDSR	JBXER2G06FCSDSR
		In line cable (PC) *	JBXPC2G06MCSDSR	JBXPC2G06FCSDSR
		Rear mount cable (SA) *	JBXSA2G06MCSDS	JBXSA2G06FCSDS
	Plug	Right angle plug (FC) *	JBXFC2G06MCSDSR	JBXFC2G06FCSDSR
		Straight plug (FD) *	JBXFD2G06MCSDSR	JBXFD2G06FCSDSR
Straight PCB contacts see page 110	Receptacle	Double nut (EA)	JBXEA2G06MPSDS	JBXEA2G06FPSDS
		Rear mount (EP)	JBXEP2G06MPSDS	JBXEP2G06FPSDS
		Front mount (ER)	JBXER2G06MPSDSR	JBXER2G06FPSDSR

* In order to get the back nut for protective boot please add «M» after the last «S». Example: JBX Straight Plug, size 2, 6 solder contacts, male insert = JBXFD2G06MSSDSMR. : First choice
The protective boot need to be ordered separately, see page accessories.

(1): In order to get a black Chrome over Nickel please replace «S» before the «D» by one «N». Example: JBX Straight Plug, size 2, 6 solder contacts, male insert = JBXFD2G06MSNDSR.

JBX2-06 - IP40 (6 x Ø 1.3 mm) - See waterproof IP68 version page 108

Dimensions (For mated connector lengths see page 110)



Note: all dimensions are in mm

JBX2-06 - IP68 (6 x Ø 1.3 mm) - See non sealed IP40 version page 106



Connector Part Number

Contact type	Connector type	Description	Part number ⁽¹⁾	
			Male insert	Female insert
Solder contacts see page 110	Receptacle	Double nut, front or rear mount (EC)	JBXEC2G06MSSDS	JBXEC2G06FSSDS
		Front mount extended (HH) ☁	JBXHH2G06MSSDSR	JBXHH2G06FSSDSR
	Plug	Straight plug (FH) *	JBXFH2G06MSSDSR	JBXFH2G06FSSDSR
Crimp contacts see page 110	Receptacle	Double nut, front or rear mount (EC)	JBXEC2G06MCSDS	JBXEC2G06FCSDS
		Front mount extended (HH)	JBXHH2G06MCSDSR	JBXHH2G06FCSDSR
	Plug	Straight plug (FH) *	JBXFH2G06MCSDSR	JBXFH2G06FCSDSR
Straight PCB contacts see page 110	Receptacle	Double nut, front or rear mount (EC)	JBXEC2G06MPSDS	JBXEC2G06FPSDS

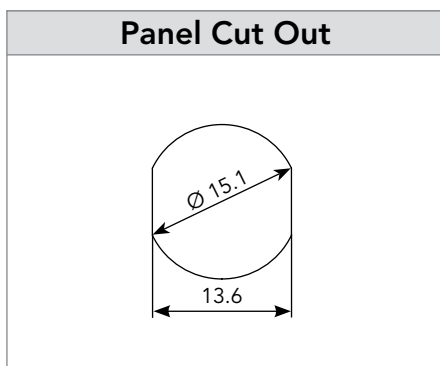
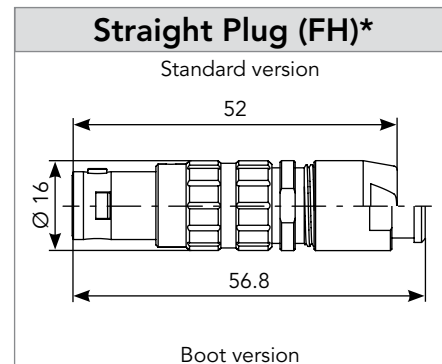
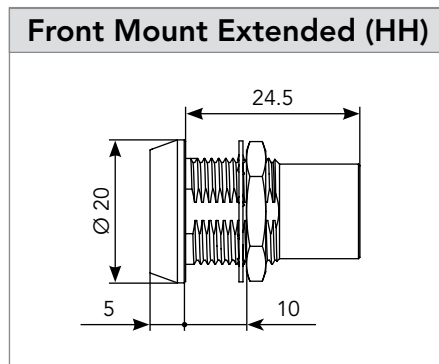
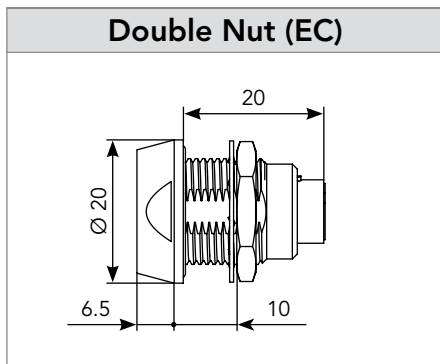
* In order to get the back nut for protective boot please add «M» after the last «S». Example: JBX Straight Plug, size 2, 6 solder contacts, male insert = JBXFH2G06MSSDSMR. The protective boot need to be ordered separately, see page accessories.

1: In order to get a black Chrome over Nickel please replace «S» before the «D» by one «N». Example: JBX Straight Plug, size 2, 6 solder contacts, male insert = JBXFH2G06MSNDSR.

☁ : Sealed in Unmated Condition

JBX2-06 - IP68 (6 x Ø 1.3 mm) - See non sealed IP40 version page 106

Dimensions (For mated connector lengths see page 110)



JBX2-06 - IP40 & IP68 (6 x Ø 1.3 mm)

Accessories

Receptacle Dust Cap




Part number
JBXBR2

Plug Dust Cap




Part number
JBXBF2

Grounding Washer



Part number
JAXRA2252

Insulating Washer



Part number	Color
JBX2RIA	Blue
JBX2RIB	White
JBX2RIG	Grey
JBX2RIJ	Yellow
JBX2RIM	Brown
JBX2RIN	Black
JBX2RIR	Red
JBX2RIV	Green
JBX2RIO	Orange

Note : Insulating washers are not compatible with the IP68 versions

Protective Boot

Available only for PC - FC - FD - SA, FH, with back nut protective boot 



Part number	Color
JBX2MPA	Blue
JBX2MPB	White
JBX2MPG	Grey
JBX2MPJ	Yellow
JBX2MPM	Brown
JBX2MPN	Black
JBX2MPR	Red
JBX2MPV	Green
JBX2MPO	Orange

The overall length is 25 mm longer with the protective boot.
Note: The protective boot is not a sealing element.


Tooling

Crimp Tooling



Part number
MIL-22520/7-01

Locator



Part number	
Male	Female
JBX20UTLP13	JBX20UTLS13

Extraction Tool



Part number
JBXOUTDC13

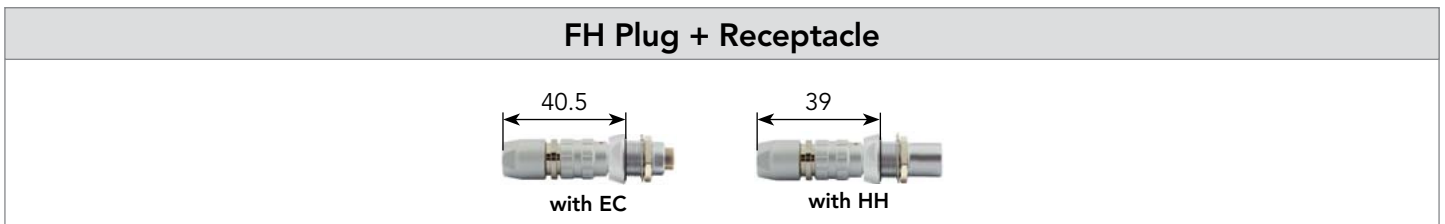
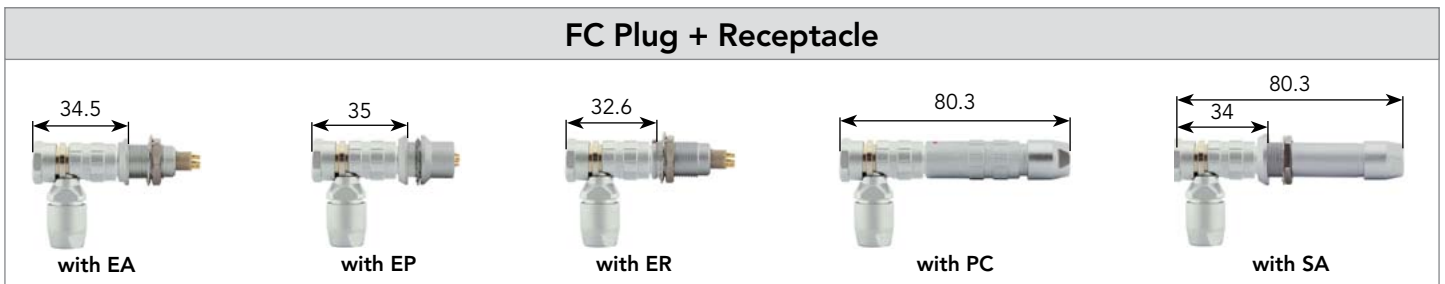
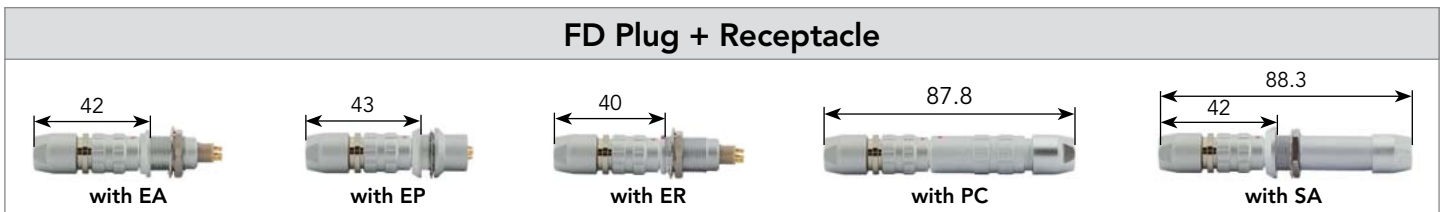
JBX2-06 - IP40 & IP68 (6 x Ø 1.3 mm)

Contacts

Ø 1.3 mm	Contact type	Plating	Contact locking type	AWG
Solder	Machined	0.5 µm gold over 3 to 5 µm Ni	Removable	20
Crimp	Machined	0.5 µm gold over 3 to 5 µm Ni	Removable	18 - 20 - 22
Straight PCB	Machined	0.5 µm gold over 3 to 5 µm Ni	Fixed	-

For more information see pages 231 to 233

Mated Connector Length

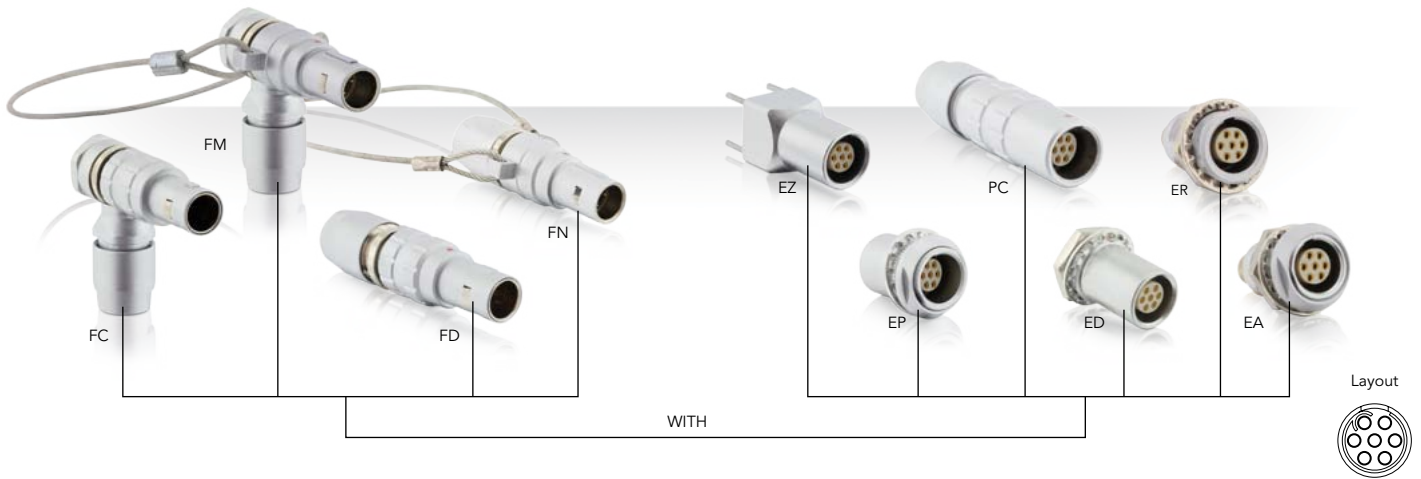


Electrical Characteristics

UL
12A 900V UL94 V-0

Note: all dimensions are in mm

JBX0-07 - IP40 (7 x Ø 0.5mm) - See waterproof IP68 version page 114



Connector Part Number

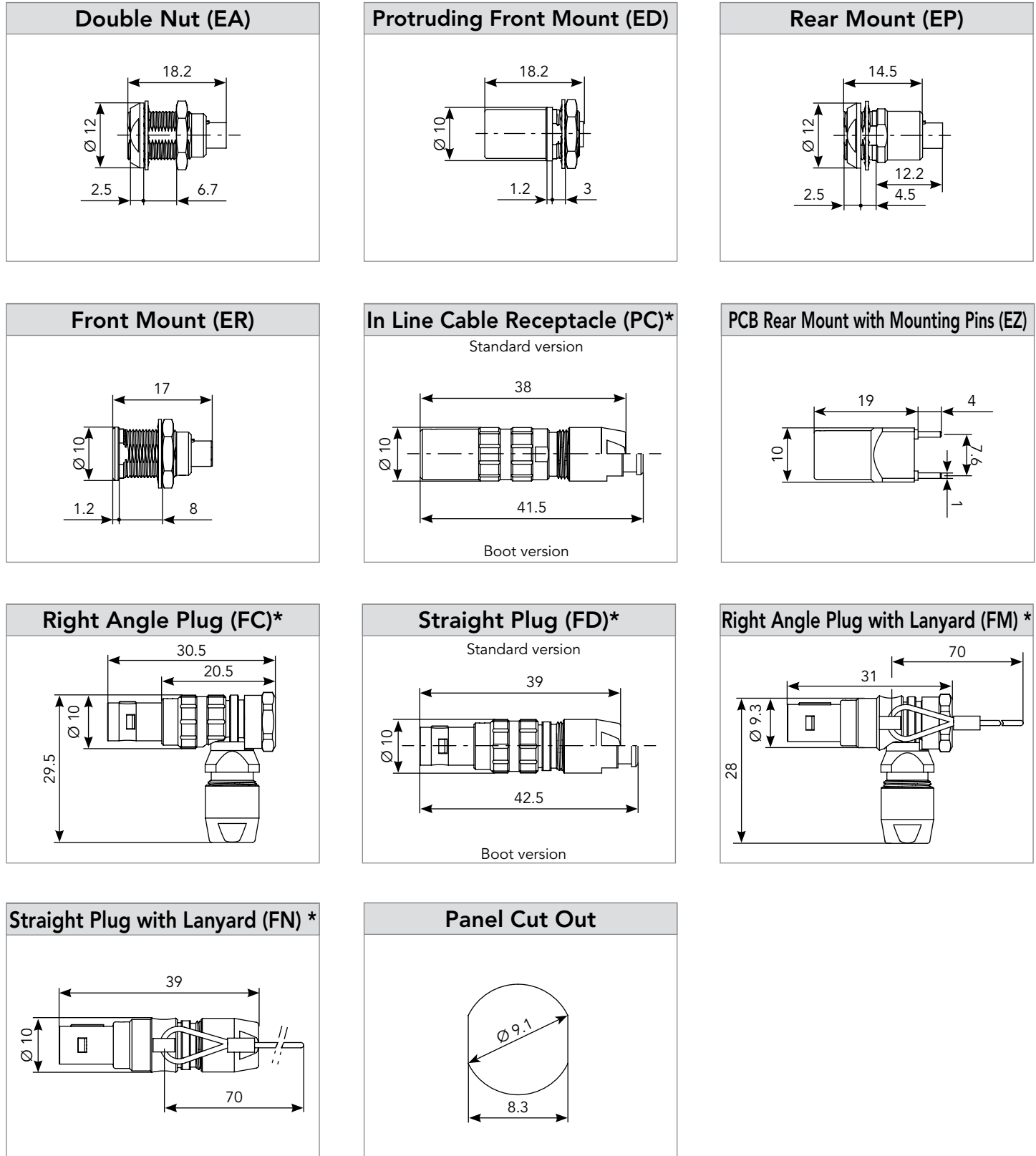
Contact type	Connector type	Description	Part number ⁽¹⁾	
			Male insert	Female insert
Solder contacts see page 117	Receptacle	Double nut (EA)	JBXEA0G07MSSDS	JBXEA0G07FSSDS
		Protruding front mount (ED)	JBXED0G07MSSDSR	JBXED0G07FSSDSR
		Rear mount (EP)	JBXEP0G07MSSDS	JBXEP0G07FSSDS
		Front mount (ER)	JBXER0G07MSSDSR	JBXER0G07FSSDSR
		In line cable (PC) *	JBXPC0G07MSSDSR	JBXPC0G07FSSDSR
	Plug	Right angle plug (FC) *	JBXFC0G07MSSDSR	JBXFC0G07FSSDSR
		Straight plug (FD) *	JBXFD0G07MSSDSR	JBXFD0G07FSSDSR
		Right Angle plug with lanyard (FM) *	JBXFM0G07MSSDSR	JBXFM0G07FSSDSR
	Straight plug with lanyard (FN) *	JBXFN0G07MSSDSR	JBXFN0G07FSSDSR	
Straight PCB contacts see page 117	Receptacle	Double nut (EA)	JBXEA0G07MPSDS	JBXEA0G07FPSDS
		Rear mount (EP)	JBXEP0G07MPSDS	JBXEP0G07FPSDS
		PCB rear mount with mounting pins (EZ)	JBXEZ0G07MPSDSR	JBXEZ0G07FPSDSR

* In order to get the back nut for protective boot please add «M» after the last «S». Example: JBX Straight Plug, size 0, 7 solder contacts, male insert = JBXFD0G07MSSDSMR. : First choice
The protective boot need to be ordered separately, see page accessories.

(1): In order to get a black Chrome over Nickel please replace «S» before the «D» by one «N». Example: JBX Straight Plug, size 0, 7 solder contacts, male insert = JBXFD0G07MSNDSR.

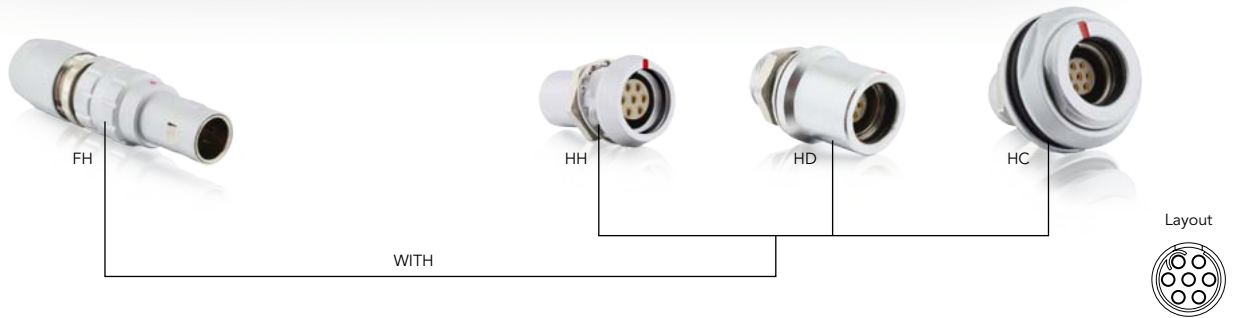
JBX0-07 - IP40 (7 x Ø 0.5mm) - See waterproof IP68 version page 114

Dimensions (For mated connector lengths see page 117)



Note: all dimensions are in mm

JBX0-07 - IP68 (7 x Ø 0.5mm) - See non sealed IP40 version page 112



Connector Part Number

Contact type	Connector type	Description	Part number ⁽¹⁾	
			Male insert	Female insert
Solder contacts see page 117	Receptacle	Rear mount (HC) ☁	JBXHC0G07MSSDSR	JBXHC0G07FSSDSR
		Protruding front mount (HD) ☁	JBXHD0G07MSSDSR	JBXHD0G07FSSDSR
		Front mount extended (HH) ☁	JBXHH0G07MSSDSR	JBXHH0G07FSSDSR
	Plug	Straight plug (FH) *	JBXFH0G07MSSDSR	JBXFH0G07FSSDSR
Straight PCB contacts see page 117	Receptacle	Rear mount (HC) ☁	JBXHC0G07MPSDSR	JBXHC0G07FPSDSR

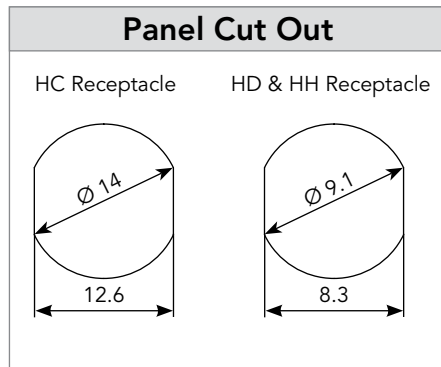
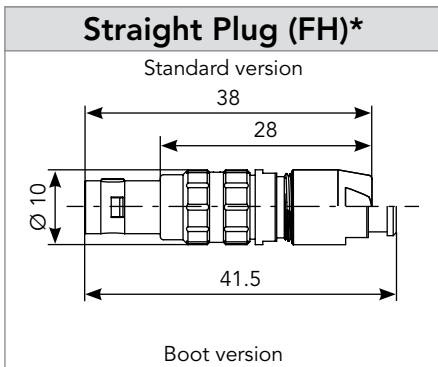
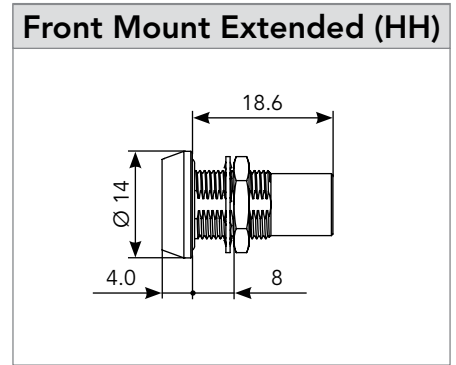
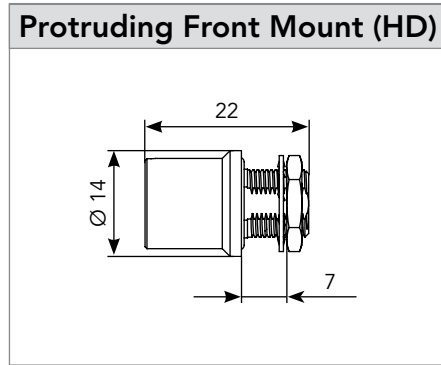
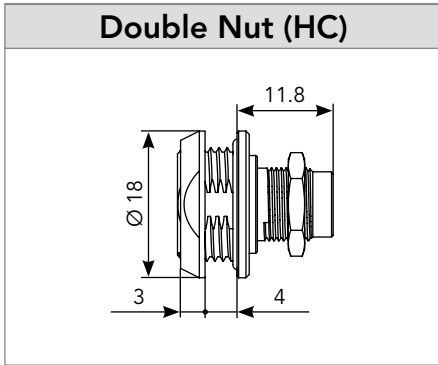
* In order to get the back nut for protective boot please add «M» after the last «S». Example: JBX Straight Plug, size 0, 7 solder contacts, male insert = JBXFH0G07MSSDSMR. : First choice
 The protective boot need to be ordered separately, see page accessories.

1: In order to get a black Chrome over Nickel please replace «S» before the «D» by one «N». Example: JBX Straight Plug, size 0, 7 solder contacts, male insert = JBXFH0G07MSNDSR.

☁ : Sealed in Unmated Condition

JBX0-07 - IP68 (7 x Ø 0.5mm) - See non sealed IP40 version page 112

Dimensions (For mated connector lengths see page 117)



Note: all dimensions are in mm

JBX0-07 - IP40 & IP68 (7 x Ø 0.5mm)

Accessories

Receptacle Dust Cap




Part number
JBXBRØ

Plug Dust Cap




Part number
JBXBFØ

Grounding Washer



Part number
JAXRAØ251

Insulating Washer



Part number	Color
JBXØRIA	Blue
JBXØRIB	White
JBXØRIG	Grey
JBXØRIJ	Yellow
JBXØRIM	Brown
JBXØRIN	Black
JBXØRIR	Red
JBXØRIV	Green
JBXØRIO	Orange

Note : Insulating washers are not compatible with the IP68 versions

Protective Boot

Available only for PC - FC - FD - FM - FN - FH, with back nut protective boot 



Part number	Color
JBXØMPA	Blue
JBXØMPB	White
JBXØMPG	Grey
JBXØMPJ	Yellow
JBXØMPM	Brown
JBXØMPN	Black
JBXØMPR	Red
JBXØMPV	Green
JBXØMPO	Orange

The overall length is 17 mm longer with the protective boot.
Note: The protective boot is not a sealing element.

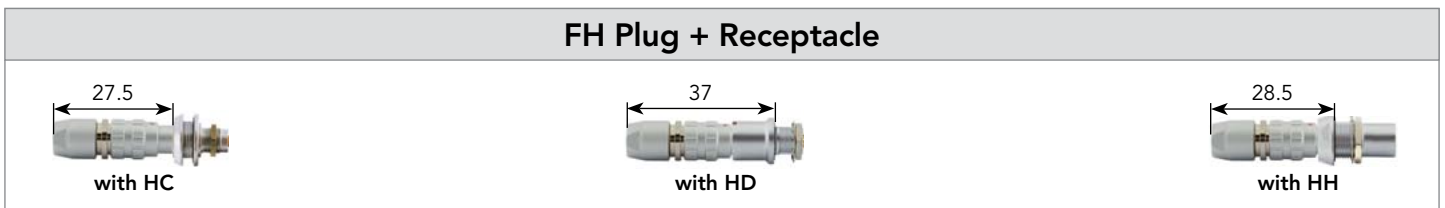
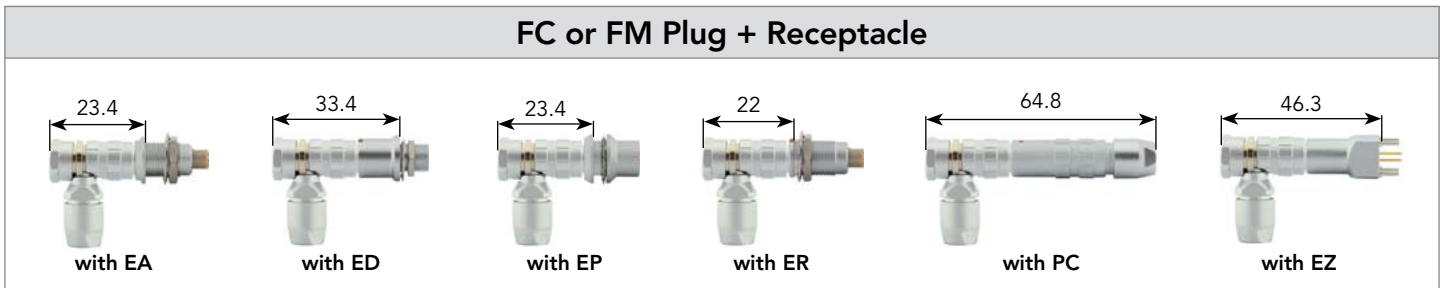
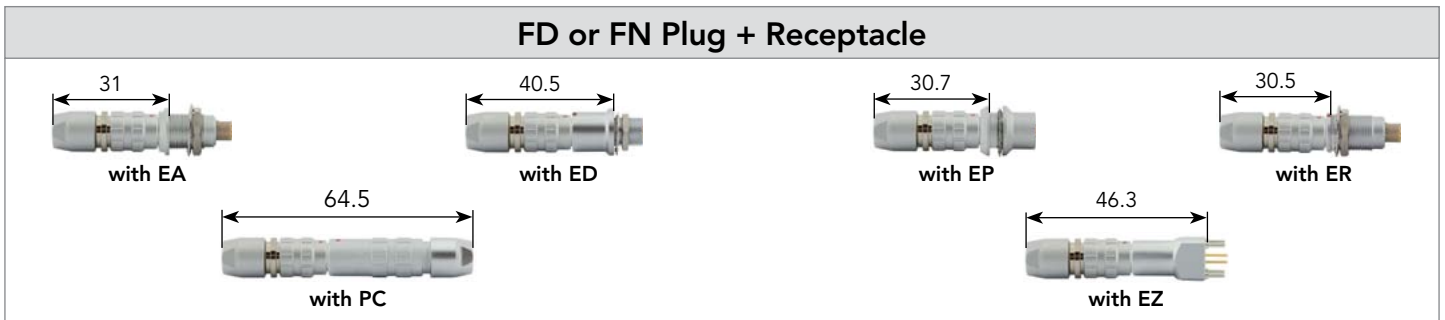
JBX0-07 - IP40 & IP68 (7 x Ø 0.5mm)

Contacts

Ø 0.5 mm	Contact type	Plating	Contact locking type	AWG - Wire max.
Solder	Machined	0.5 µm gold over 3 to 5 µm Ni	Fixed	28
Straight PCB	Machined	0.5 µm gold over 3 to 5 µm Ni	Fixed	-

For more information see pages 231 and 233

Mated Connector Length

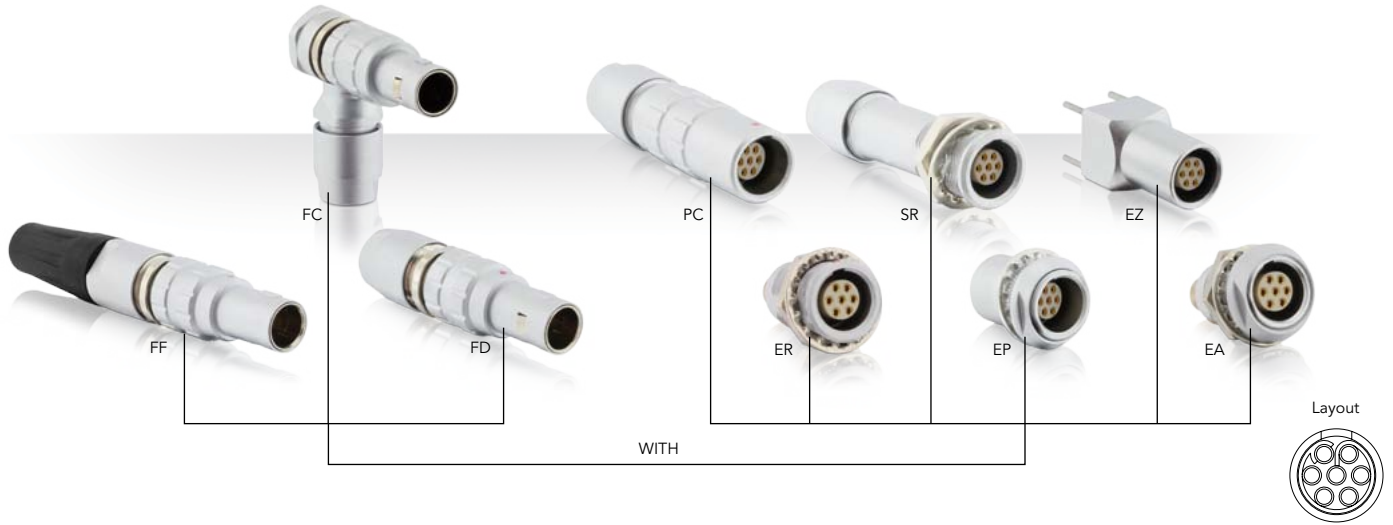


Electrical Characteristics

UL
2.5A 320V UL94 V-0

Note: all dimensions are in mm

JBX1-07 - IP40 (7 x Ø 0.7mm)



Connector Part Number

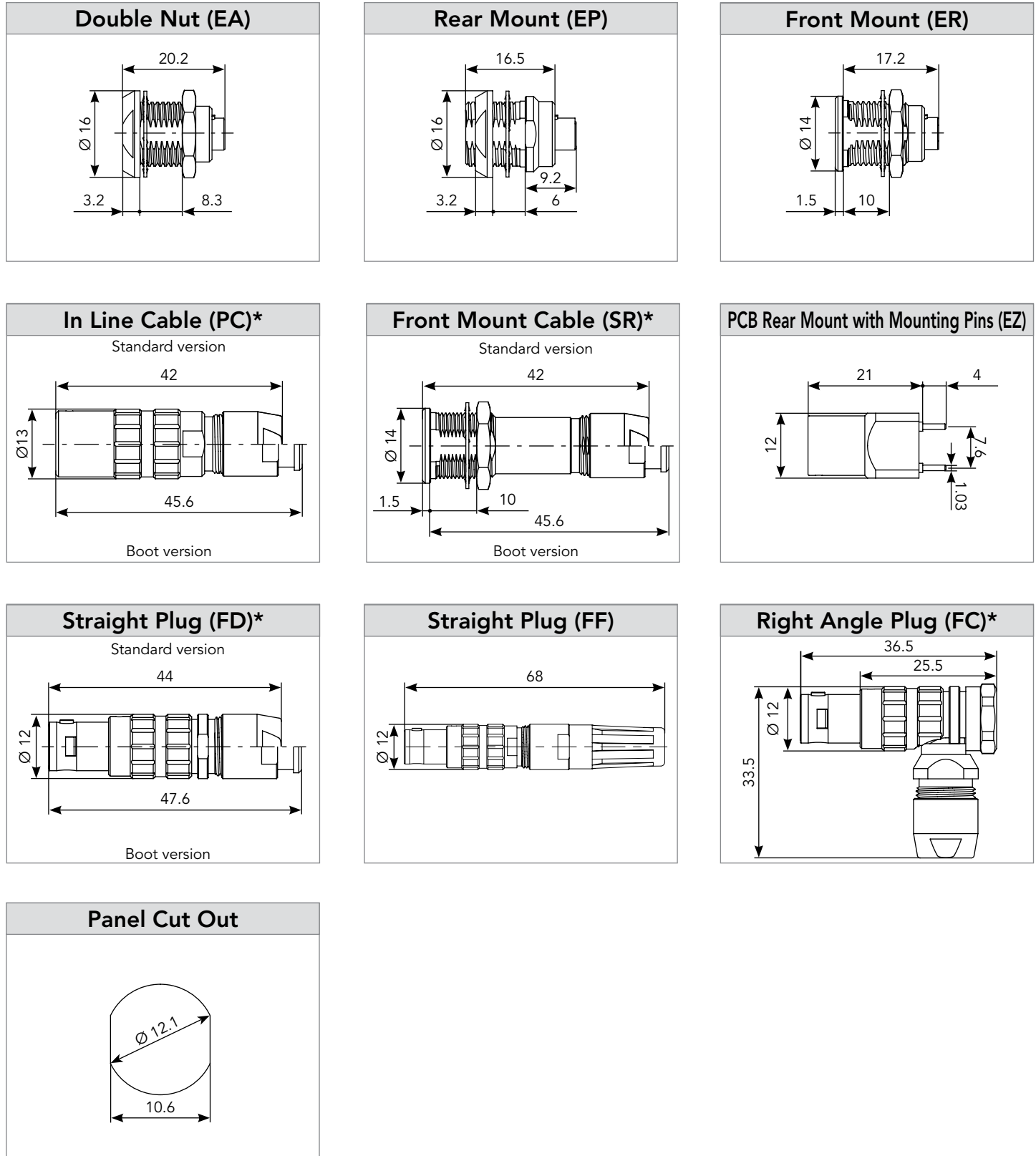
Contact type	Connector type	Description	Part number ⁽¹⁾	
			Male insert	Female insert
Solder contacts see page 121	Receptacle	Double nut (EA)	JBXEA1G07MSSDS	JBXEA1G07FSSDS
		Rear mount (EP)	JBXEP1G07MSSDS	JBXEP1G07FSSDS
		Front mount (ER)	JBXER1G07MSSDSR	JBXER1G07FSSDSR
		In line cable (PC) *	JBXPC1G07MSSDSR	JBXPC1G07FSSDSR
		Front mount cable (SR) *	JBXSR1G07MSSDSR	JBXSR1G07FSSDSR
	Plug	Straight plug (FD) *	JBXFD1G07MSSDSR	JBXFD1G07FSSDSR
Straight plug no latch (FF) with black protective boot		JBXFF1G07MSSDSR	JBXFF1G07FSSDSR	
Crimp contacts see page 121	Receptacle	Double nut (EA)	JBXEA1G07MCSDS	JBXEA1G07FCSDS
		Front mount (ER)	JBXER1G07MCSDSR	JBXER1G07FCSDSR
		In line cable (PC) *	JBXPC1G07MCSDSR	JBXPC1G07FCSDSR
	Plug	Right angle plug (FC) *	JBXFC1G07MCSDSR	JBXFC1G07FCSDSR
		Straight plug (FD) *	JBXFD1G07MCSDSR	JBXFD1G07FCSDSR
Straight PCB contacts see page 121	Receptacle	Double nut (EA)	JBXEA1G07MPSDS	JBXEA1G07FPSDS
		Front mount (ER)	JBXER1G07MPSDSR	JBXER1G07FPSDSR
		PCB rear mount with mounting pins (EZ)	JBXEZ1G07MPSDSR	JBXEZ1G07FPSDSR
90° PCB contacts see page 121	Receptacle	Double nut (EA)	-	JBXEA1G07FQSDS
		Rear mount (EP)	-	JBXEP1G07FQSDS

* In order to get the back nut for protective boot please add «M» after the last «S». Example: JBX Straight Plug, size 1, 7 solder contacts, male insert = JBXFD1G07MSSDSMR. : First choice
The protective boot need to be ordered separately, see page accessories.

(1): In order to get a black Chrome over Nickel please replace «S» before the «D» by one «N». Example: JBX Straight Plug, size 1, 7 solder contacts, male insert = JBXFD1G07MSNDSR.

JBX1-07 - IP40 (7 x Ø 0.7mm)

Dimensions (For mated connector lengths see page 121)



Connector

Note: all dimensions are in mm

JBX1-07 - IP40 (7 x Ø 0.7mm)

Receptacle Dust Cap




Part number
JBXBR1

Plug Dust Cap




Part number
JBXBF1

Grounding Washer



Part number
JAXRA1251


Insulating Washer




Part number	Color
JBX1RIA	Blue
JBX1RIB	White
JBX1RIG	Grey
JBX1RIJ	Yellow
JBX1RIM	Brown
JBX1RIN	Black
JBX1RIR	Red
JBX1RIV	Green
JBX1RIO	Orange

Note : Insulating washers are not compatible with the IP68 versions

Protective Boot

Available only for PC - FC - FD - SR, with back nut protective boot 



Part number	Color
JBX1MPA	Blue
JBX1MPB	White
JBX1MPG	Grey
JBX1MPJ	Yellow
JBX1MPM	Brown
JBX1MPN	Black
JBX1MPR	Red
JBX1MPV	Green
JBX1MPO	Orange

The overall length is 21 mm longer with the protective boot.
Note: The protective boot is not a sealing element.


Tooling

Crimp Tooling



Part number
MIL-22520/7-01

Locator



Part number	
Male	Female
JBX10UTLP07	JBX10UTLS07

Extraction Tool



Part number
JBXOUTDC07

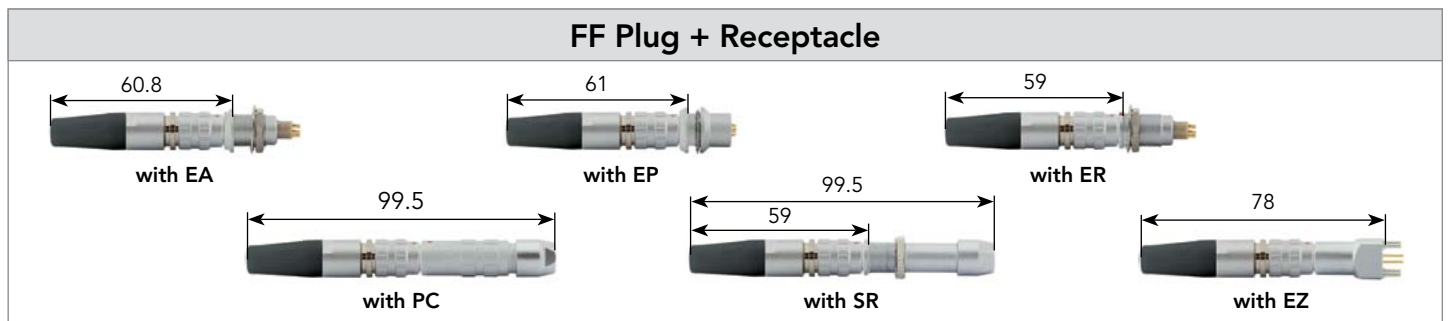
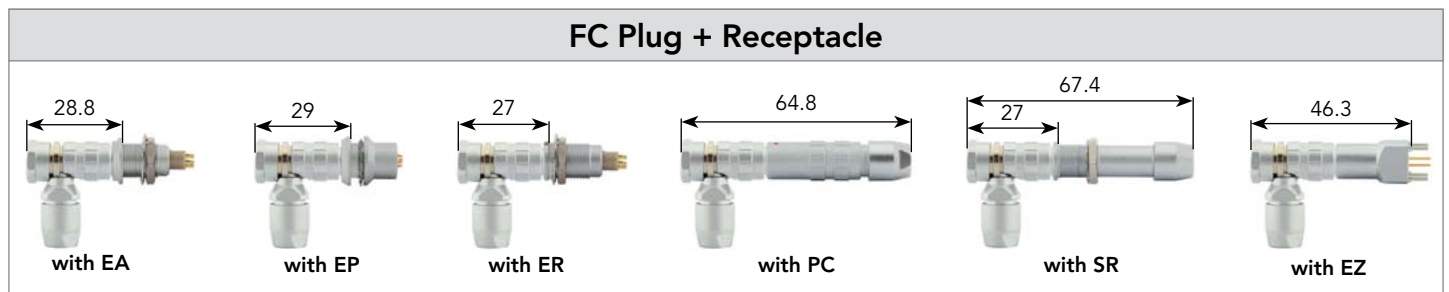
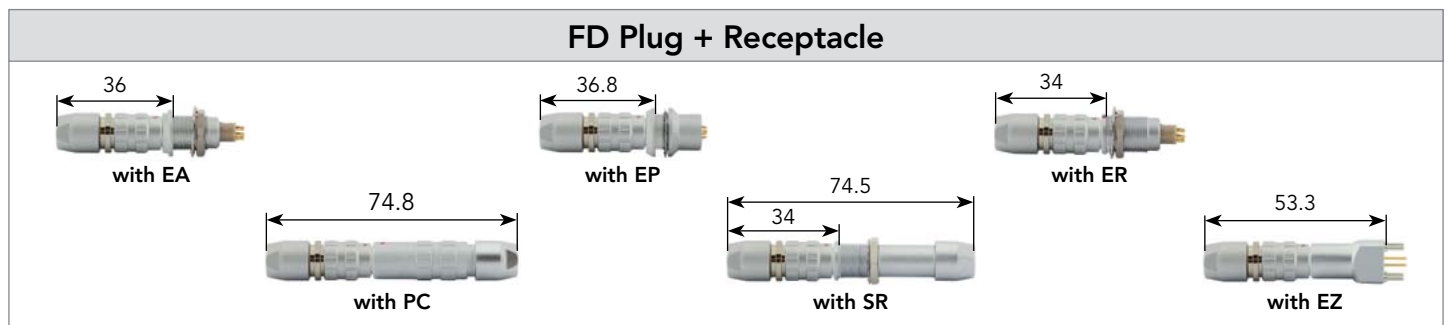
JBX1-07 - IP40 (7 x Ø 0.7mm)

Contacts

Ø 0.7 mm	Contact type	Plating	Contact locking type	AWG
Solder	Machined	0.5 µm gold over 3 to 5 µm Ni	Fixed	22
Crimp	Machined	0.5 µm gold over 3 to 5 µm Ni	Removable	22 - 24 - 26
Straight PCB	Machined	0.5 µm gold over 3 to 5 µm Ni	Fixed	-
90° PCB	Machined	0.5 µm gold over 3 to 5 µm Ni	Removable	-

For more information see pages 231 to 234

Mated Connector Length

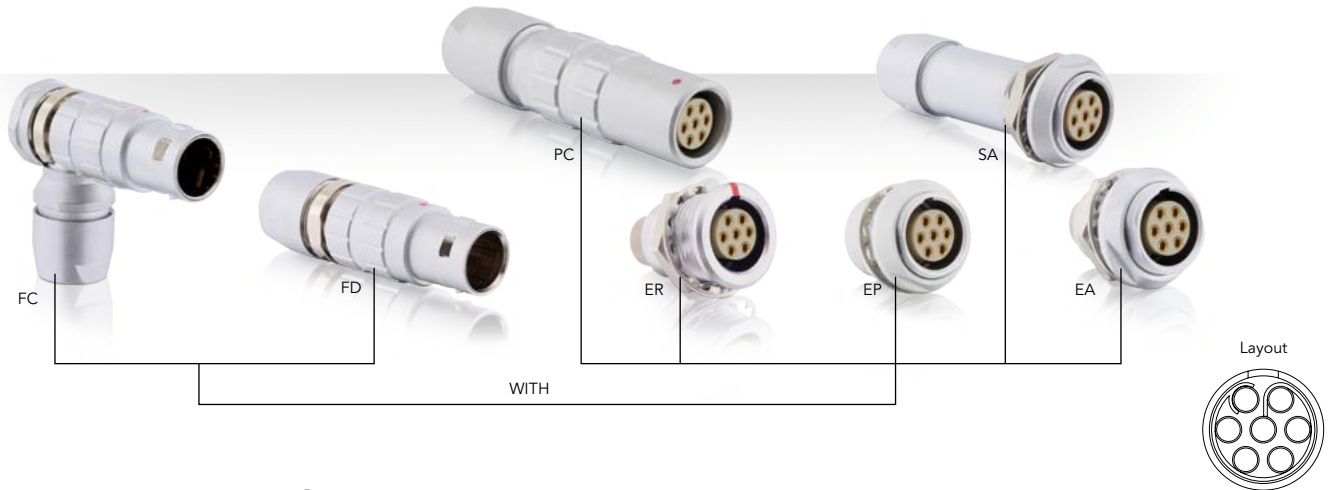


Electrical Characteristics

UL
7A 660V UL94 V-0

Note: all dimensions are in mm

JBX2-07 - IP40 (7 x Ø 1.3 mm) - See waterproof IP68 version page 124



Connector Part Number

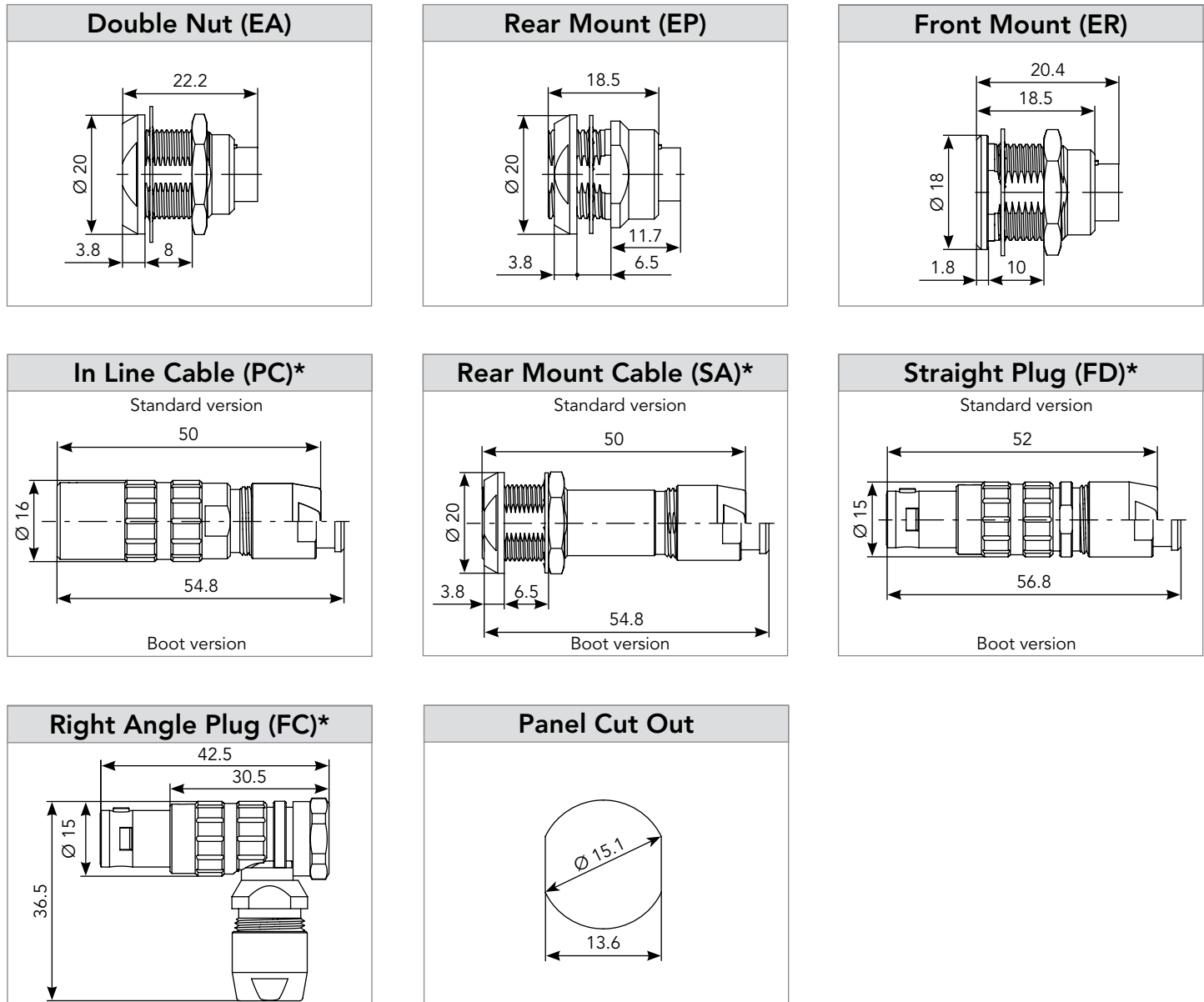
Contact type	Connector type	Description	Part number ⁽¹⁾	
			Male insert	Female insert
Solder contacts see page 127	Receptacle	Double nut (EA)	JBXEA2G07MSSDS	JBXEA2G07FSSDS
		Rear mount (EP)	JBXEP2G07MSSDS	JBXEP2G07FSSDS
		Front mount (ER)	JBXER2G07MSSDSR	JBXER2G07FSSDSR
		In line cable (PC) *	JBXPC2G07MSSDSR	JBXPC2G07FSSDSR
	Plug	Straight plug (FD) *	JBXFD2G07MSSDSR	JBXFD2G07FSSDSR
Crimp contacts see page 127	Receptacle	Double nut (EA)	JBXEA2G07MCSDS	JBXEA2G07FCSDS
		Rear mount (EP)	JBXEP2G07MCSDS	JBXEP2G07FCSDS
		Front mount (ER)	JBXER2G07MCSDSR	JBXER2G07FCSDSR
		In line cable (PC) *	JBXPC2G07MCSDSR	JBXPC2G07FCSDSR
		Rear mount cable (SA) *	JBXSA2G07MCSDS	JBXSA2G07FCSDS
	Plug	Right angle plug (FC) *	JBXFC2G07MCSDSR	JBXFC2G07FCSDSR
		Straight plug (FD) *	JBXFD2G07MCSDSR	JBXFD2G07FCSDSR
Straight PCB contacts see page 127	Receptacle	Double nut (EA)	JBXEA2G07MPSDS	JBXEA2G07FPSDS
		Rear mount (EP)	JBXEP2G07MPSDS	JBXEP2G07FPSDS
		Front mount (ER)	JBXER2G07MPSDSR	JBXER2G07FPSDSR

* In order to get the back nut for protective boot please add «M» after the last «S». Example: JBX Straight Plug, size 2, 7 solder contacts, male insert = JBXFD2G07MSSDSMR. : First choice
The protective boot need to be ordered separately, see page accessories.

(1): In order to get a black Chrome over Nickel please replace «S» before the «D» by one «N». Example: JBX Straight Plug, size 2, 7 solder contacts, male insert = JBXFD2G07MSNDSR.

JBX2-07 - IP40 (7 x Ø 1.3 mm) - See waterproof IP68 version page 124

Dimensions (For mated connector lengths see page 127)



Note: all dimensions are in mm

JBX2-07 - IP68 (7 x Ø 1.3 mm) - See non sealed IP40 version page 122



Connector Part Number

Contact type	Connector type	Description	Part number ⁽¹⁾	
			Male insert	Female insert
Solder contacts see page 127	Receptacle	Double nut, front or rear mount (EC)	JBXEC2G07MSSDS	JBXEC2G07FSSDS
		Front mount extended (HH) ☁	JBXHH2G07MSSDSR	JBXHH2G07FSSDSR
	Plug	Straight plug (FH) *	JBXFH2G07MSSDSR	JBXFH2G07FSSDSR
Crimp contacts see page 127	Receptacle	Double nut, front or rear mount (EC)	JBXEC2G07MCSDS	JBXEC2G07FCSDS
		Front mount extended (HH)	JBXHH2G07MCSDSR	JBXHH2G07FCSDSR
	Plug	Straight plug (FH) *	JBXFH2G07MCSDSR	JBXFH2G07FCSDSR
Straight PCB contacts see page 127	Receptacle	Double nut, front or rear mount (EC)	JBXEC2G07MPSDS	JBXEC2G07FPSDS

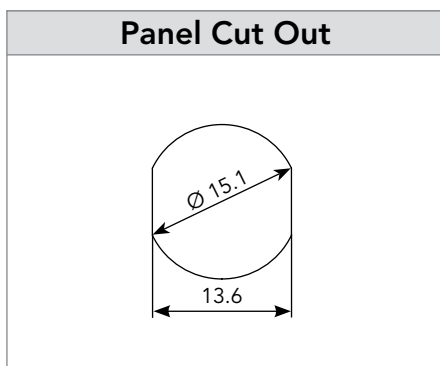
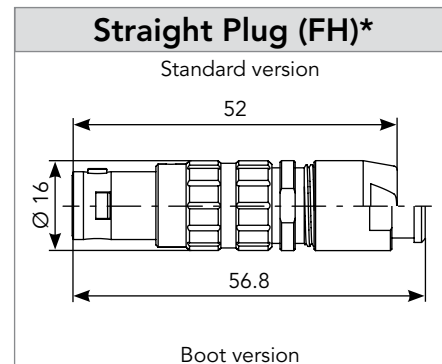
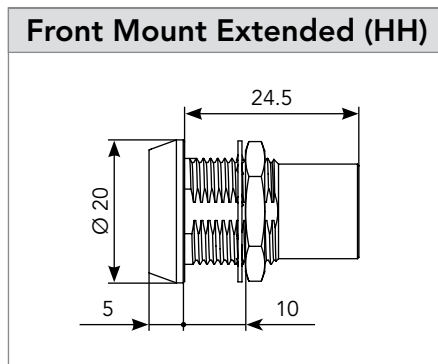
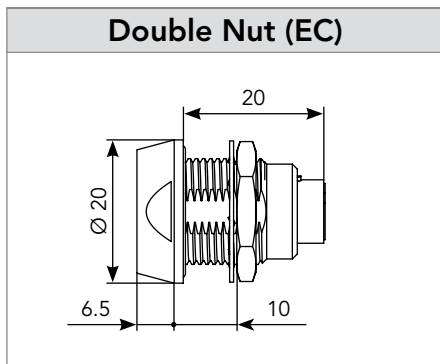
* In order to get the back nut for protective boot please add «M» after the last «S». Example: JBX Straight Plug, size 2, 7 solder contacts, male insert = JBXFH2G07MSSDSMR. The protective boot need to be ordered separately, see page accessories.

1: In order to get a black Chrome over Nickel please replace «S» before the «D» by one «N». Example: JBX Straight Plug, size 2, 7 solder contacts, male insert = JBXFH2G07MSNDSR.

☁ : Sealed in Unmated Condition

JBX2-07 - IP68 (7 x Ø 1.3 mm) - See non sealed IP40 version page 122

Dimensions (For mated connector lengths see page 127)



JBX2-07 - IP40 & IP68 (7 x Ø 1.3 mm)

Accessories

Receptacle Dust Cap




Part number
JBXBR2

Plug Dust Cap




Part number
JBXBF2

Grounding Washer



Part number
JAXRA2252

Insulating Washer



Part number	Color
JBX2RIA	Blue
JBX2RIB	White
JBX2RIG	Grey
JBX2RIJ	Yellow
JBX2RIM	Brown
JBX2RIN	Black
JBX2RIR	Red
JBX2RIV	Green
JBX2RIO	Orange

Note : Insulating washers are not compatible with the IP68 versions

Protective Boot

Available only for PC - FC - FD - SA, FH, with back nut protective boot 



Part number	Color
JBX2MPA	Blue
JBX2MPB	White
JBX2MPG	Grey
JBX2MPJ	Yellow
JBX2MPM	Brown
JBX2MPN	Black
JBX2MPR	Red
JBX2MPV	Green
JBX2MPO	Orange

The overall length is 25 mm longer with the protective boot.
Note: The protective boot is not a sealing element.


Tooling

Crimp Tooling



Part number
MIL-22520/7-01

Locator



Part number	
Male	Female
JBX20UTLP13	JBX20UTLS13

Extraction Tool



Part number
JBXOUTDC13

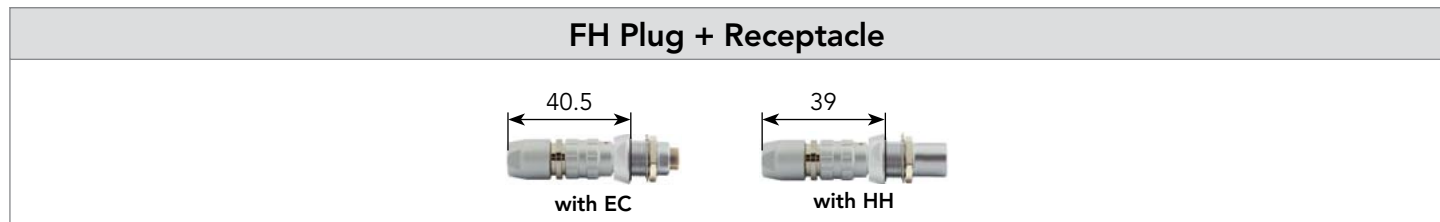
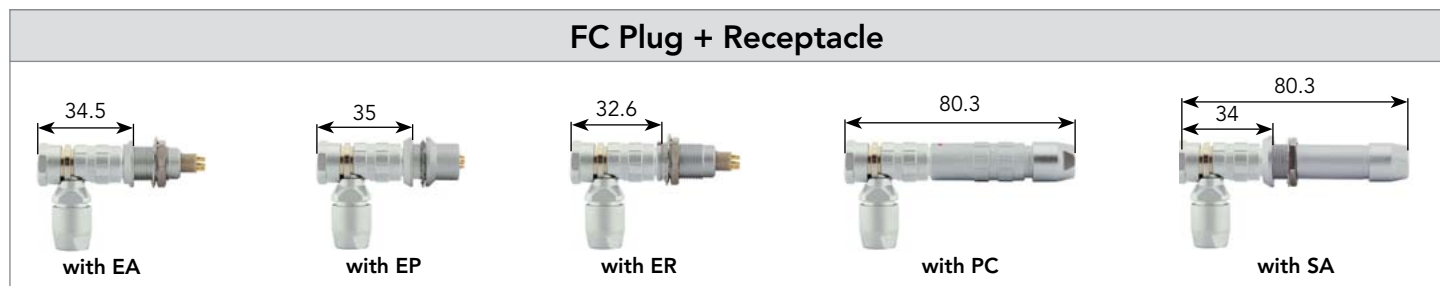
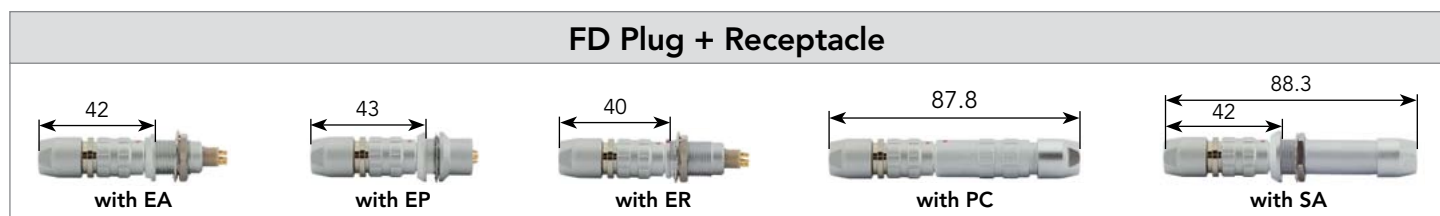
JBX2-07 - IP40 & IP68 (7 x Ø 1.3 mm)

Contacts

Ø 1.3 mm	Contact type	Plating	Contact locking type	AWG
Solder	Machined	0.5 µm gold over 3 to 5 µm Ni	Removable	20
Crimp	Machined	0.5 µm gold over 3 to 5 µm Ni	Removable	18 - 20 - 22
Straight PCB	Machined	0.5 µm gold over 3 to 5 µm Ni	Fixed	-

For more information see pages 231 to 233

Mated Connector Length



Electrical Characteristics

UL
11A 730V UL94 V-0

Note: all dimensions are in mm

JBX3-07 - IP40 (7 x Ø 1.6 mm)



Connector Part Number

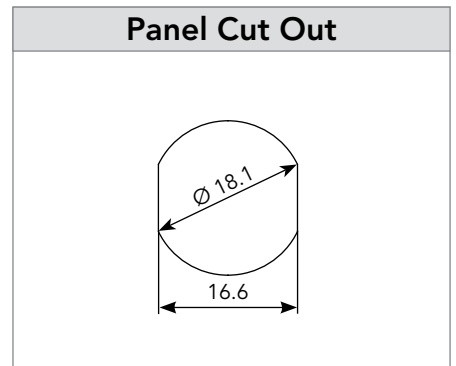
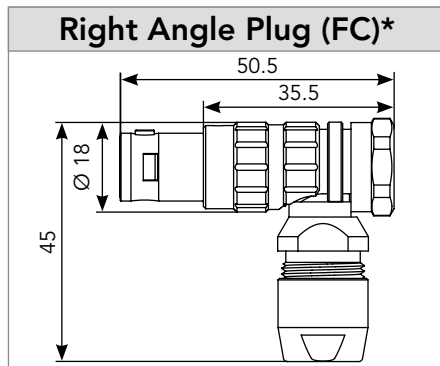
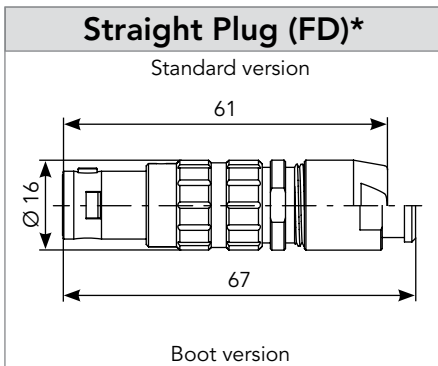
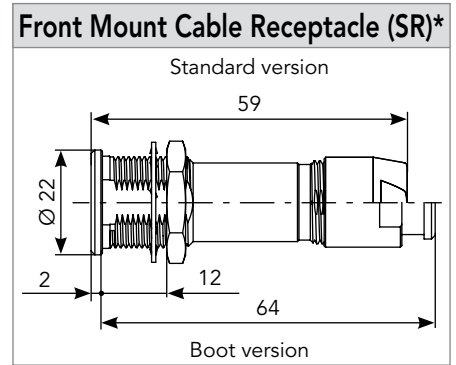
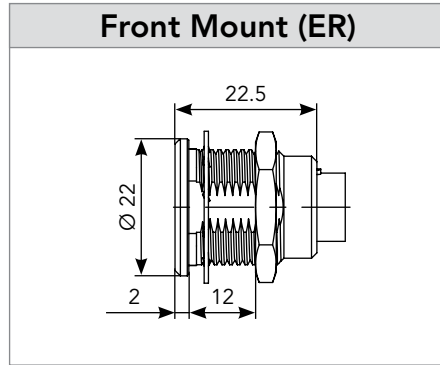
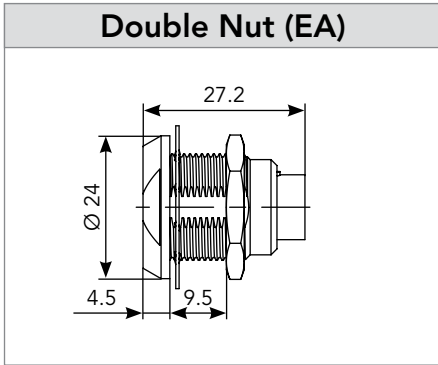
Contact type	Connector type	Description	Part number ⁽¹⁾	
			Male insert	Female insert
Solder contacts see page 131	Receptacle	Double nut (EA)	JBXEA3G07MSSDS	JBXEA3G07FSSDS
		Front mount (ER)	JBXER3G07MSSDSR	JBXER3G07FSSDSR
		Front mount cable (SR) *	JBXSR3G07MSSDSR	JBXSR3G07FSSDSR
	Plug	Straight plug (FD) *	JBXFD3G07MSSDSR	JBXFD3G07FSSDSR
Crimp contacts see page 131	Receptacle	Double nut (EA)	JBXEA3G07MCSDS	JBXEA3G07FCSDS
		Front mount (ER)	JBXER3G07MCSDSR	JBXER3G07FCSDSR
	Plug	Right angle plug (FC) *	JBXFC3G07MCSDSR	JBXFC3G07FCSDSR
		Straight plug (FD) *	JBXFD3G07MCSDSR	JBXFD3G07FCSDSR

* In order to get the back nut for protective boot please add «M» after the last «S». Example: JBX Straight Plug, size 3, 7 solder contacts, male insert = JBXFD3G07MSSDSMR. : First choice
The protective boot need to be ordered separately, see page accessories.

1: In order to get a black Chrome over Nickel please replace «S» before the «D» by one «N». Example: JBX Straight Plug, size 3, 7 solder contacts, male insert = JBXFD3G07MSNDSR.

JBX3-07 - IP40 (7 x Ø 1.6 mm)

Dimensions (For mated connector lengths see page 131)



Note: all dimensions are in mm

JBX3-07 - IP40 (7 x Ø 1.6 mm)

Accessories

Receptacle Dust Cap




Part number
JBXBR3

Plug Dust Cap




Part number
JBXBF3

Grounding Washer



Part number
JAXRA3252

Insulating Washer



Part number	Color
JBX3RIA	Blue
JBX3RIB	White
JBX3RIG	Grey
JBX3RIJ	Yellow
JBX3RIM	Brown
JBX3RIN	Black
JBX3RIR	Red
JBX3RIV	Green
JBX3RIO	Orange

Note : Insulating washers are not compatible with the IP68 versions

Protective Boot

Available only for FC - FD - SR, with back nut protective boot 



Part number	Color
JBX3MPA	Blue
JBX3MPB	White
JBX3MPG	Grey
JBX3MPJ	Yellow
JBX3MPM	Brown
JBX3MPN	Black
JBX3MPR	Red
JBX3MPV	Green
JBX3MPO	Orange

The overall length is 28.5 mm longer with the protective boot.
Note: The protective boot is not a sealing element.

Tooling

Crimp Tooling




Part number
MIL-22520/1-01

Locator



Part number
JBX3OUTLP16

Extraction Tool



Part number
JBXOUTDC16

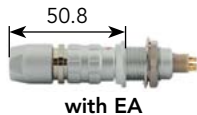
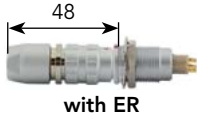
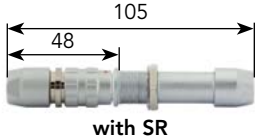


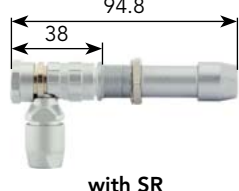
JBX3-07 - IP40 (7 x Ø 1.6 mm)

Contacts

Ø 1.6 mm	Contact type	Plating	Contact locking type	AWG
Solder	Machined	0.5 µm gold over 3 to 5 µm Ni	Removable	18
Crimp	Machined	0.5 µm gold over 3 to 5 µm Ni	Removable	14 - 16 - 18

For more information see pages 231 and 232

Mated Connector Length

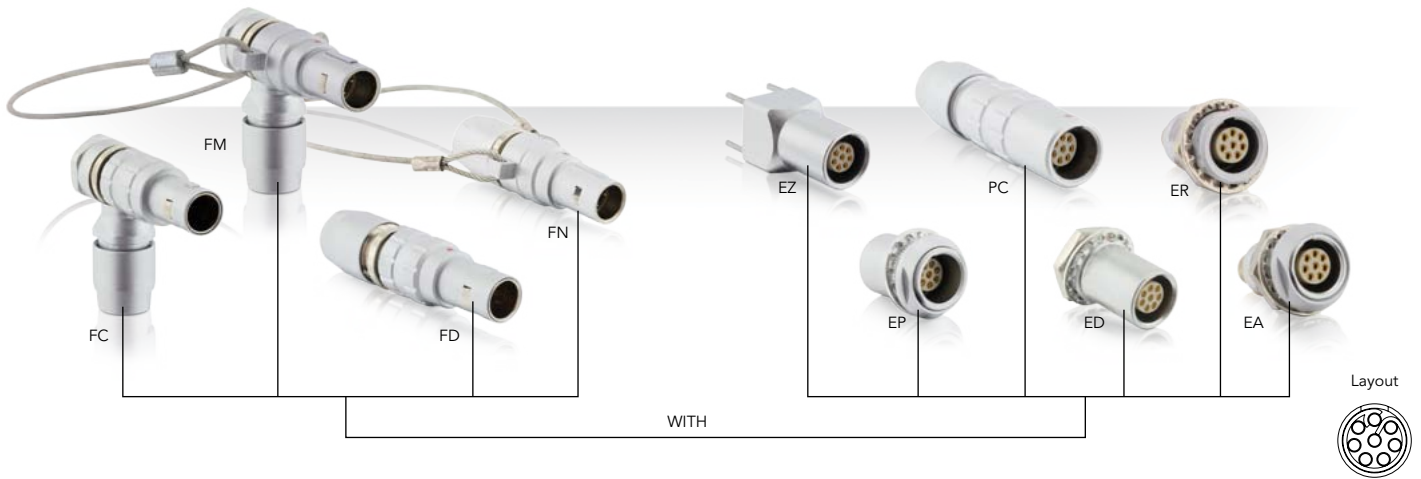
FD Plug + Receptacle		
 <p>50.8 with EA</p>	 <p>48 with ER</p>	 <p>105 48 with SR</p>
FC Plug + Receptacle		
 <p>40.8 with EA</p>	 <p>38 with ER</p>	 <p>94.8 38 with SR</p>

Connector

Electrical Characteristics
<p>UL 15A 1,000V UL94 V-0</p>

Note: all dimensions are in mm

JBX0-08 - IP40 (8 x Ø 0.5mm) - See waterproof IP68 version page 134



Connector Part Number

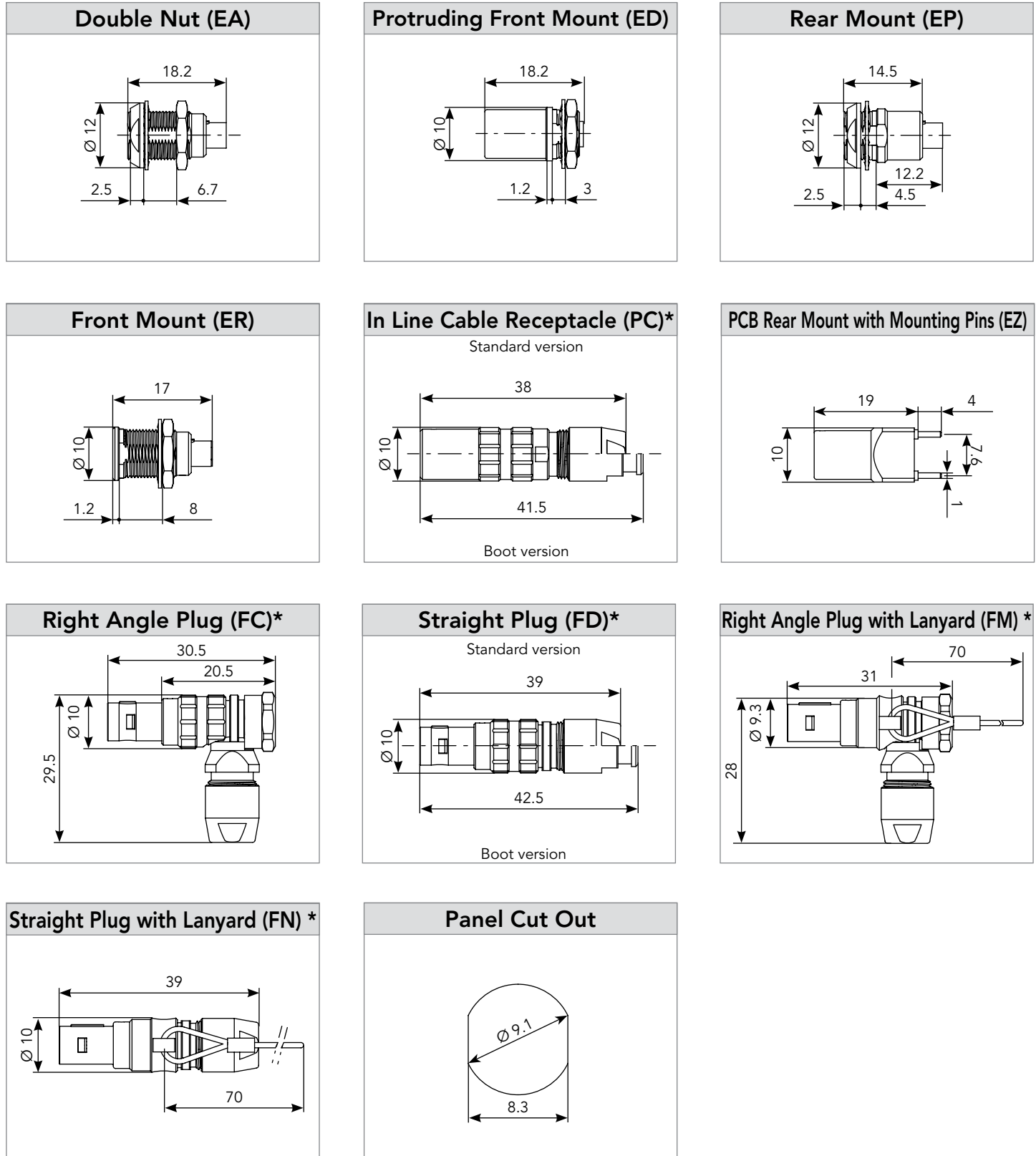
Contact type	Connector type	Description	Part number ⁽¹⁾	
			Male insert	Female insert
Solder contacts see page 137	Receptacle	Double nut (EA)	JBXEA0G08MSSDS	JBXEA0G08FSSDS
		Protruding front mount (ED)	JBXED0G08MSSDSR	JBXED0G08FSSDSR
		Rear mount (EP)	JBXEP0G08MSSDS	JBXEP0G08FSSDS
		Front mount (ER)	JBXER0G08MSSDSR	JBXER0G08FSSDSR
		In line cable (PC) *	JBXPC0G08MSSDSR	JBXPC0G08FSSDSR
	Plug	Right angle plug (FC) *	JBXFC0G08MSSDSR	JBXFC0G08FSSDSR
		Straight plug (FD) *	JBXFD0G08MSSDSR	JBXFD0G08FSSDSR
		Right Angle plug with lanyard (FM) *	JBXFM0G08MSSDSR	JBXFM0G08FSSDSR
Straight PCB contacts see page 137	Receptacle	Straight plug with lanyard (FN) *	JBXFN0G08MSSDSR	JBXFN0G08FSSDSR
		Double nut (EA)	JBXEA0G08MPSDS	JBXEA0G08FPSDS
		Rear mount (EP)	JBXEP0G08MPSDS	JBXEP0G08FPSDS
		PCB rear mount with mounting pins (EZ)	JBXEZ0G08MPSDSR	JBXEZ0G08FPSDSR

* In order to get the back nut for protective boot please add «M» after the last «S». Example: JBX Straight Plug, size 0, 8 solder contacts, male insert = JBXFD0G08MSSDSMR. : First choice
The protective boot need to be ordered separately, see page accessories.

(1): In order to get a black Chrome over Nickel please replace «S» before the «D» by one «N». Example: JBX Straight Plug, size 0, 8 solder contacts, male insert = JBXFD0G08MSNDSR.

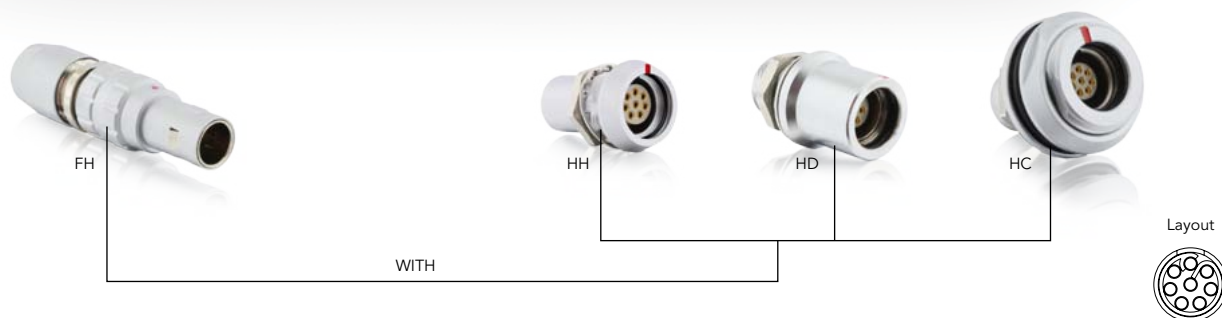
JBX0-08 - IP40 (8 x Ø 0.5mm) - See waterproof IP68 version page 134

Dimensions (For mated connector lengths see page 137)



Note: all dimensions are in mm

JBX0-08 - IP68 (8 x Ø 0.5mm) - See non sealed IP40 version page 132



Connector Part Number

Contact type	Connector type	Description	Part number ⁽¹⁾	
			Male insert	Female insert
Solder contacts see page 137	Receptacle	Rear mount (HC) ☁	JBXHC0G08MSSDSR	JBXHC0G08FSSDSR
		Protruding front mount (HD) ☁	JBXHD0G08MSSDSR	JBXHD0G08FSSDSR
		Front mount extended (HH) ☁	JBXHH0G08MSSDSR	JBXHH0G08FSSDSR
	Plug	Straight plug (FH) *	JBXFH0G08MSSDSR	JBXFH0G08FSSDSR
Straight PCB contacts see page 137	Receptacle	Rear mount (HC) ☁	JBXHC0G08MPSDSR	JBXHC0G08FPSDSR

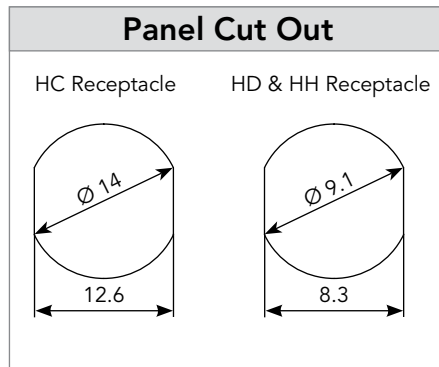
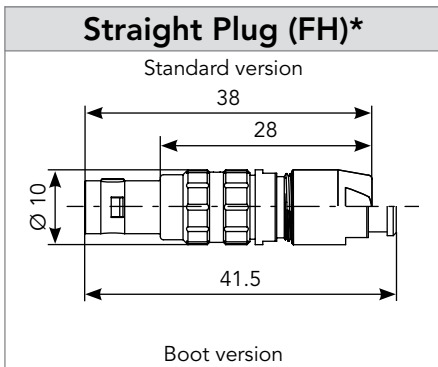
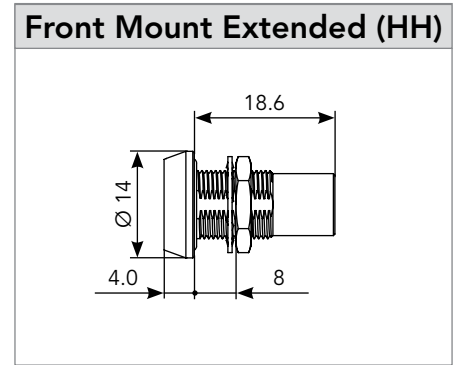
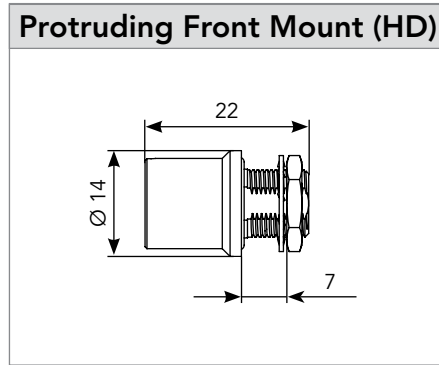
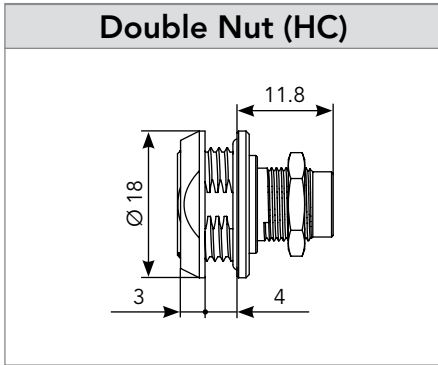
* In order to get the back nut for protective boot please add «M» after the last «S». Example: JBX Straight Plug, size 0, 8 solder contacts, male insert = JBXFH0G08MSSDSMR. : First choice
 The protective boot need to be ordered separately, see page accessories.

1: In order to get a black Chrome over Nickel please replace «S» before the «D» by one «N». Example: JBX Straight Plug, size 0, 8 solder contacts, male insert = JBXFH0G08MSNDSR.

☁ : Sealed in Unmated Condition

JBX0-08 - IP68 (8 x Ø 0.5mm) - See non sealed IP40 version page 132

Dimensions (For mated connector lengths see page 137)



Note: all dimensions are in mm

JBX0-08 - IP40 & IP68 (8 x Ø 0.5mm)

Accessories

Receptacle Dust Cap




Part number
JBXBRØ

Plug Dust Cap




Part number
JBXBFØ

Grounding Washer



Part number
JAXRAØ251

Insulating Washer



Part number	Color
JBXØRIA	Blue
JBXØRIB	White
JBXØRIG	Grey
JBXØRIJ	Yellow
JBXØRIM	Brown
JBXØRIN	Black
JBXØRIR	Red
JBXØRIV	Green
JBXØRIO	Orange

Note : Insulating washers are not compatible with the IP68 versions

Protective Boot

Available only for PC - FC - FD - FM - FN - FH, with back nut protective boot 



Part number	Color
JBXØMPA	Blue
JBXØMPB	White
JBXØMPG	Grey
JBXØMPJ	Yellow
JBXØMPM	Brown
JBXØMPN	Black
JBXØMPR	Red
JBXØMPV	Green
JBXØMPO	Orange

The overall length is 17 mm longer with the protective boot.

Note: The protective boot is not a sealing element.

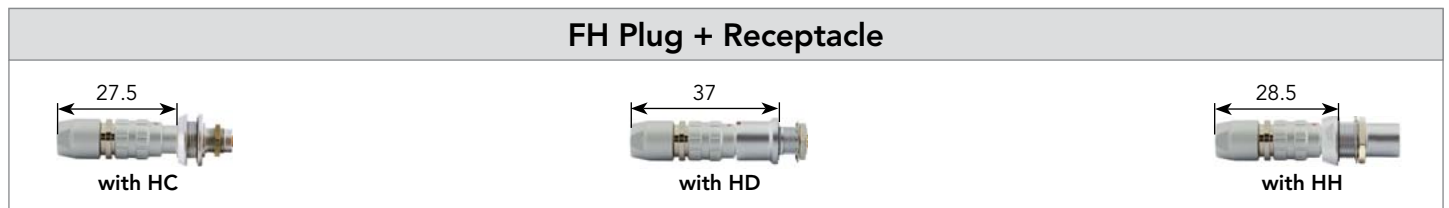
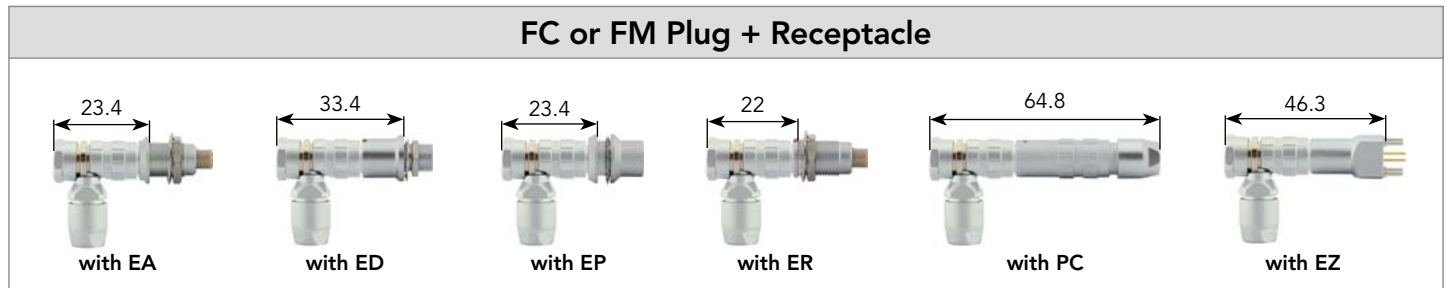
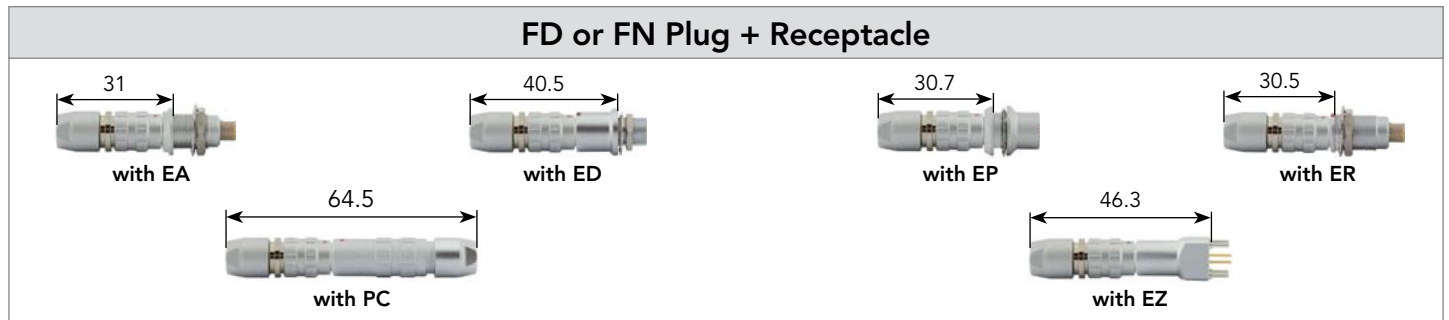
JBX0-08 - IP40 & IP68 (8 x Ø 0.5mm)

Contacts

Ø 0.5 mm	Contact type	Plating	Contact locking type	AWG - Wire max.
Solder	Machined	0.5 µm gold over 3 to 5 µm Ni	Fixed	28
Straight PCB	Machined	0.5 µm gold over 3 to 5 µm Ni	Fixed	-

For more information see pages 231 and 233

Mated Connector Length

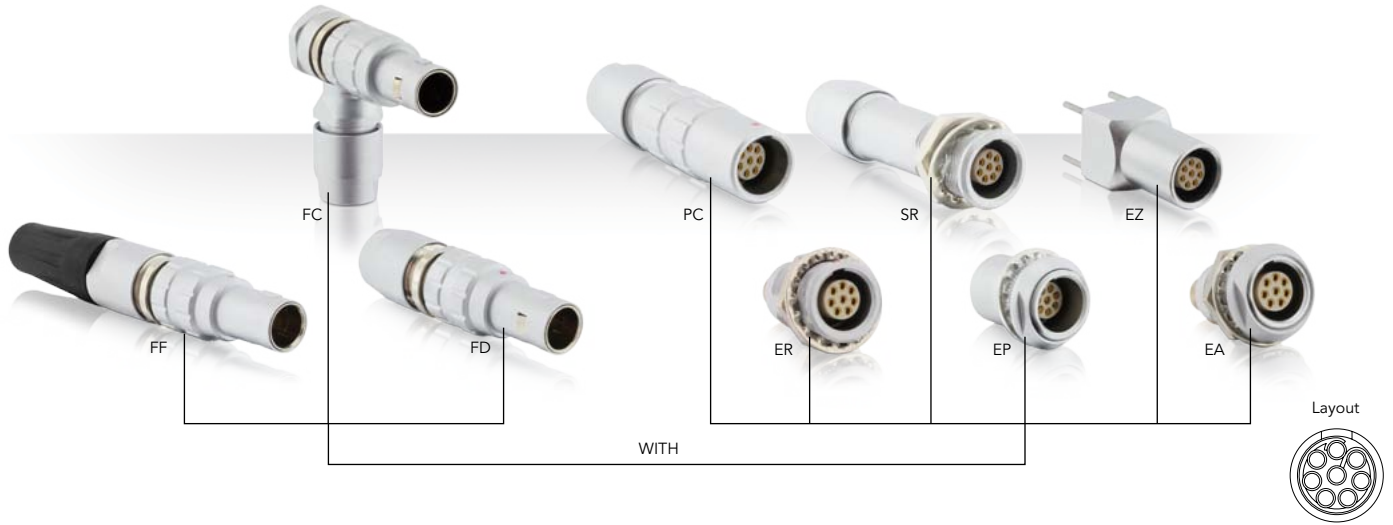


Electrical Characteristics

UL
2A 190V UL94 V-0

Note: all dimensions are in mm

JBX1-08 - IP40 (8 x Ø 0.7mm)



Connector Part Number

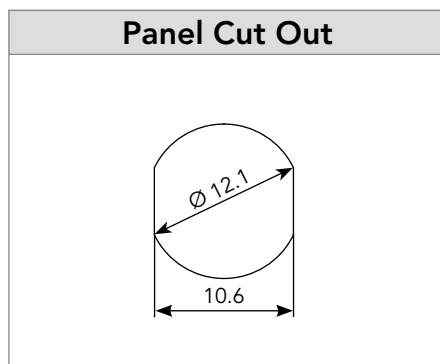
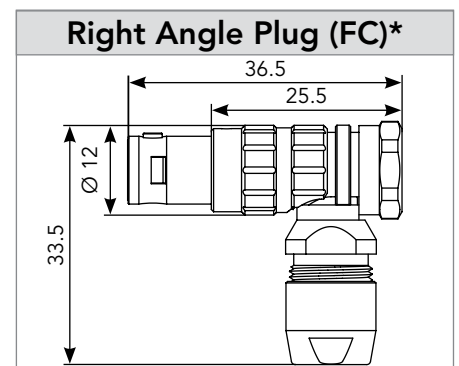
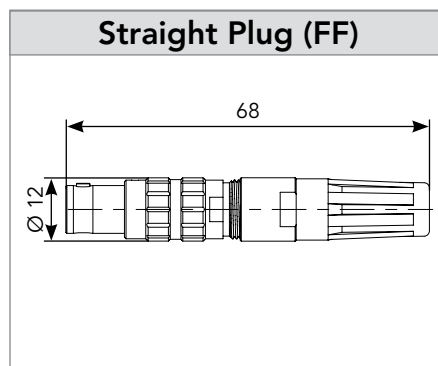
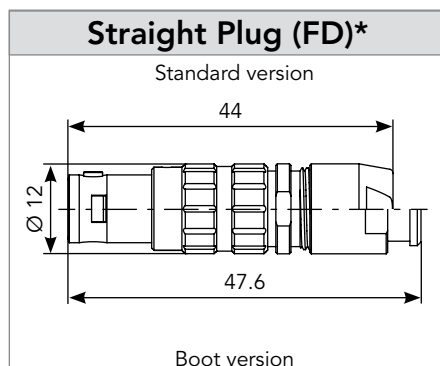
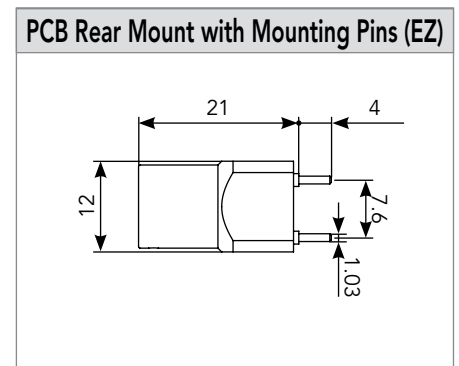
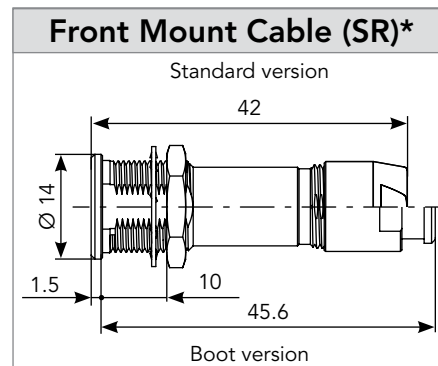
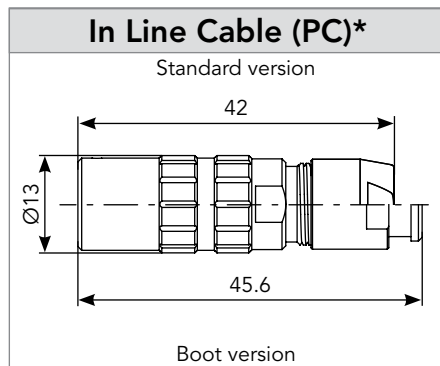
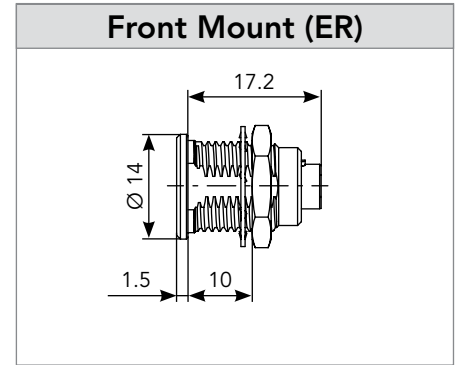
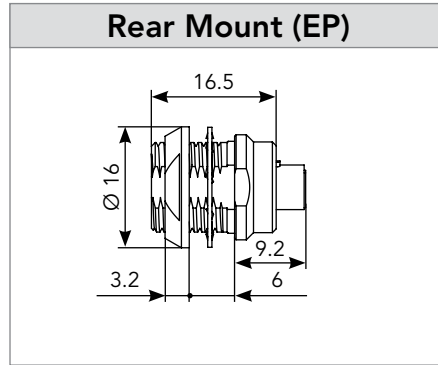
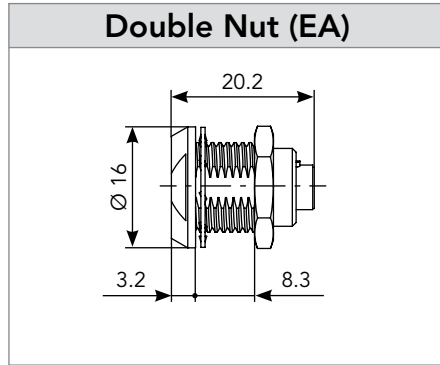
Contact type	Connector type	Description	Part number ⁽¹⁾	
			Male insert	Female insert
Solder contacts see page 141	Receptacle	Double nut (EA)	JBXEA1G08MSSDS	JBXEA1G08FSSDS
		Rear mount (EP)	JBXEP1G08MSSDS	JBXEP1G08FSSDS
		Front mount (ER)	JBXER1G08MSSDSR	JBXER1G08FSSDSR
		In line cable (PC) *	JBXPC1G08MSSDSR	JBXPC1G08FSSDSR
		Front mount cable (SR) *	JBXSR1G08MSSDSR	JBXSR1G08FSSDSR
	Plug	Straight plug (FD) *	JBXFD1G08MSSDSR	JBXFD1G08FSSDSR
Straight plug no latch (FF) with black protective boot		JBXFF1G08MSSDSR	JBXFF1G08FSSDSR	
Crimp contacts see page 141	Receptacle	Double nut (EA)	JBXEA1G08MCSDS	JBXEA1G08FCSDS
		Front mount (ER)	JBXER1G08MCSDSR	JBXER1G08FCSDSR
		In line cable (PC) *	JBXPC1G08MCSDSR	JBXPC1G08FCSDSR
	Plug	Right angle plug (FC) *	JBXFC1G08MCSDSR	JBXFC1G08FCSDSR
		Straight plug (FD) *	JBXFD1G08MCSDSR	JBXFD1G08FCSDSR
Straight PCB contacts see page 141	Receptacle	Double nut (EA)	JBXEA1G08MPSDS	JBXEA1G08FPSDS
		Front mount (ER)	JBXER1G08MPSDSR	JBXER1G08FPSDSR
		PCB rear mount with mounting pins (EZ)	JBXEZ1G08MPSDSR	JBXEZ1G08FPSDSR
90° PCB contacts see page 141	Receptacle	Double nut (EA)	-	JBXEA1G08FQSDS
		Rear mount (EP)	-	JBXEP1G08FQSDS

* In order to get the back nut for protective boot please add «M» after the last «S». Example: JBX Straight Plug, size 1, 8 solder contacts, male insert = JBXFD1G08MSSDSMR. : First choice
The protective boot need to be ordered separately, see page accessories.

(1): In order to get a black Chrome over Nickel please replace «S» before the «D» by one «N». Example: JBX Straight Plug, size 1, 8 solder contacts, male insert = JBXFD1G08MSNDSR.

JBX1-08 - IP40 (8 x Ø 0.7mm)

Dimensions (For mated connector lengths see page 141)



Note: all dimensions are in mm

JBX1-08 - IP40 (8 x Ø 0.7mm)

Receptacle Dust Cap




Part number
JBXBR1

Plug Dust Cap




Part number
JBXBF1

Grounding Washer



Part number
JAXRA1251


Insulating Washer




Part number	Color
JBX1RIA	Blue
JBX1RIB	White
JBX1RIG	Grey
JBX1RIJ	Yellow
JBX1RIM	Brown
JBX1RIN	Black
JBX1RIR	Red
JBX1RIV	Green
JBX1RIO	Orange

Note : Insulating washers are not compatible with the IP68 versions

Protective Boot

Available only for PC - FC - FD - SR, with back nut protective boot 



Part number	Color
JBX1MPA	Blue
JBX1MPB	White
JBX1MPG	Grey
JBX1MPJ	Yellow
JBX1MPM	Brown
JBX1MPN	Black
JBX1MPR	Red
JBX1MPV	Green
JBX1MPO	Orange

The overall length is 21 mm longer with the protective boot.
Note: The protective boot is not a sealing element.


Tooling

Crimp Tooling



Part number
MIL-22520/7-01

Locator



Part number	
Male	Female
JBX10UTLP07	JBX10UTLS07

Extraction Tool



Part number
JBXOUTDC07

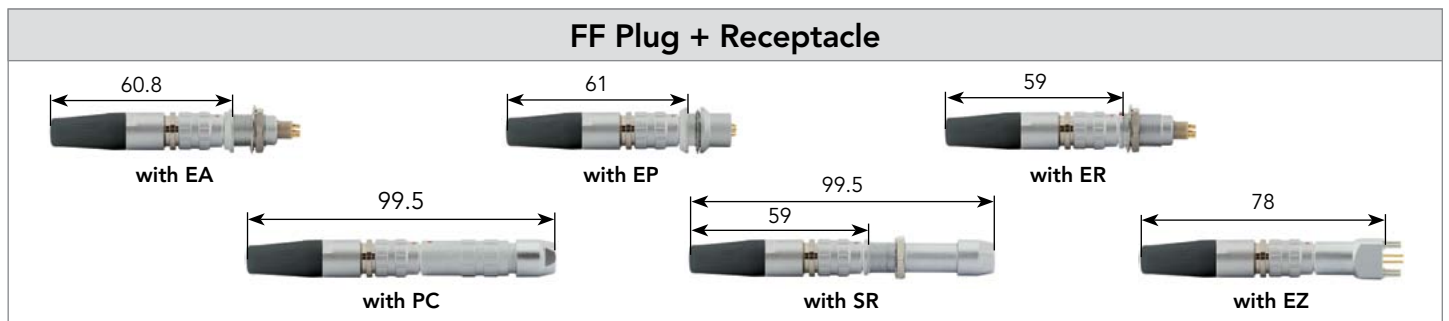
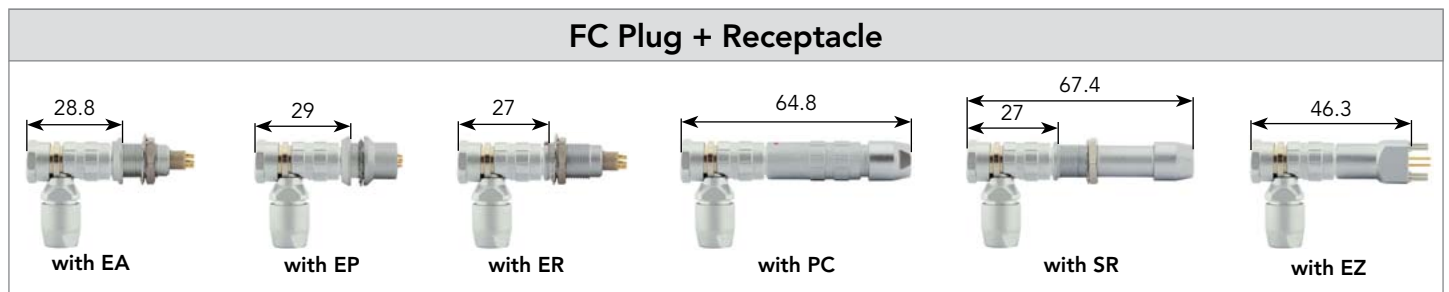
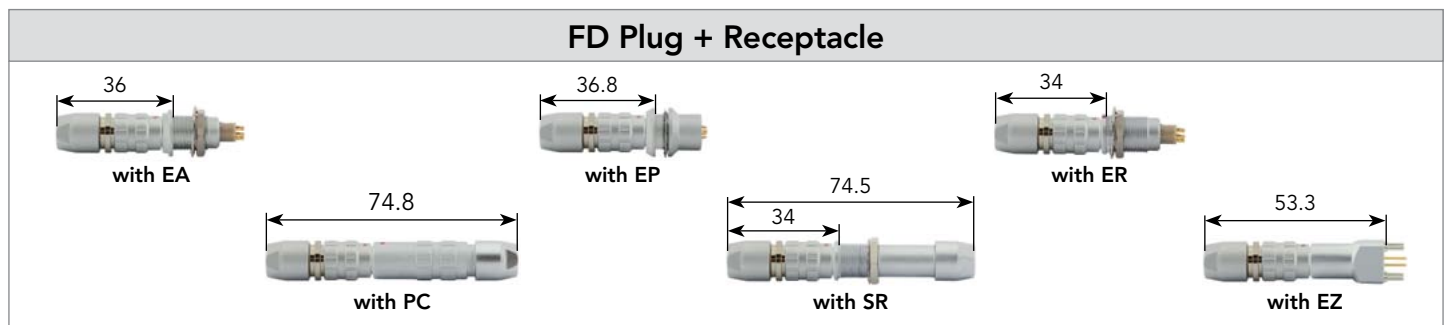
JBX1-08 - IP40 (8 x Ø 0.7mm)

Contacts

Ø 0.7 mm	Contact type	Plating	Contact locking type	AWG
Solder	Machined	0.5 µm gold over 3 to 5 µm Ni	Fixed	22
Crimp	Machined	0.5 µm gold over 3 to 5 µm Ni	Removable	22 - 24 - 26
Straight PCB	Machined	0.5 µm gold over 3 to 5 µm Ni	Fixed	-
90° PCB	Machined	0.5 µm gold over 3 to 5 µm Ni	Removable	-

For more information see pages 231 to 234

Mated Connector Length

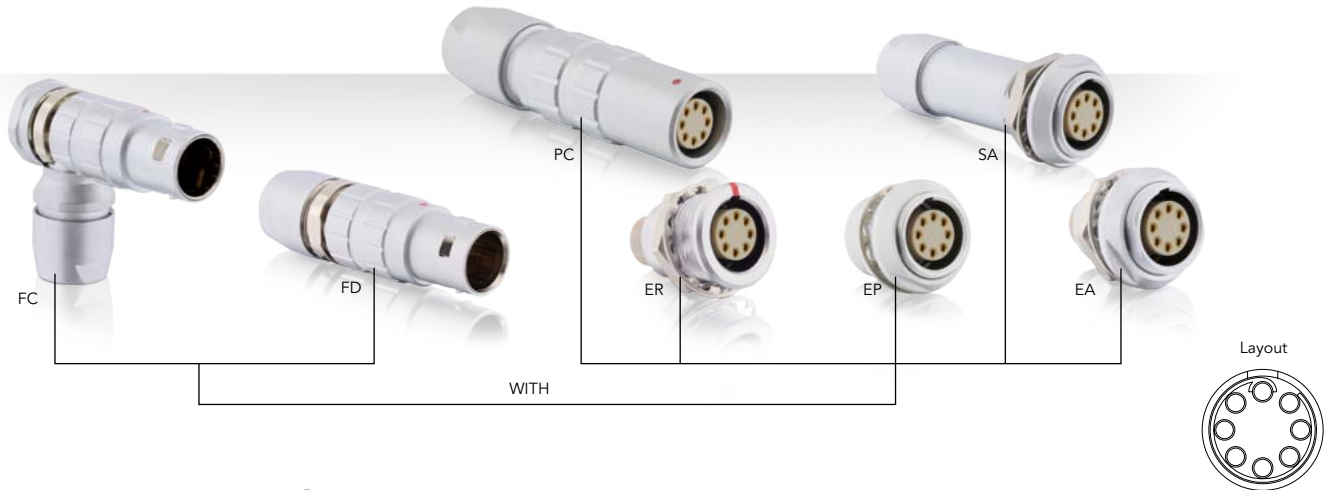


Electrical Characteristics

UL
5A 600V UL94 V-0

Note: all dimensions are in mm

JBX2-08 - IP40 (8 x Ø 0.9 mm) - See waterproof IP68 version page 144



Connector Part Number

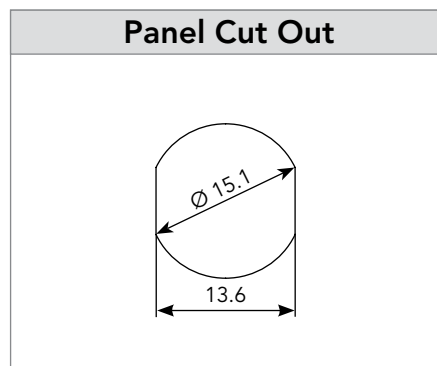
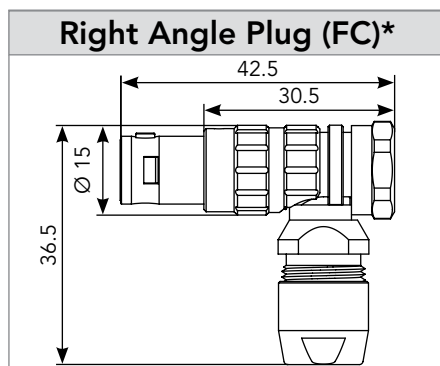
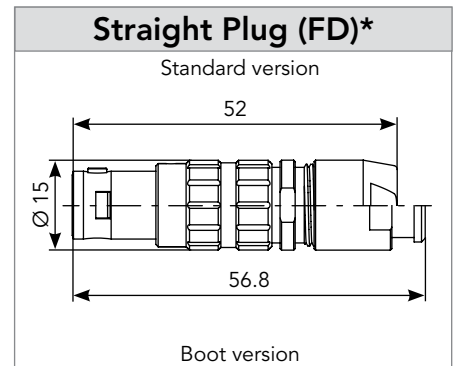
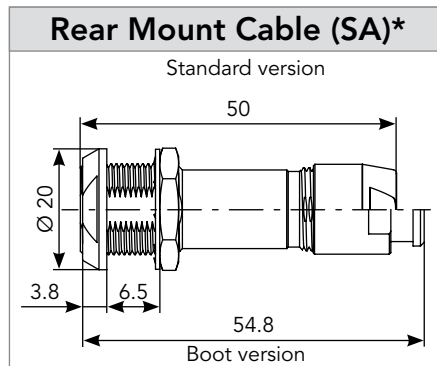
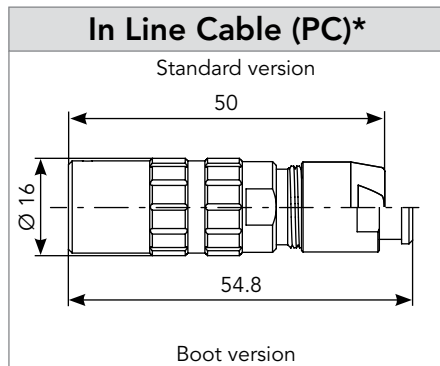
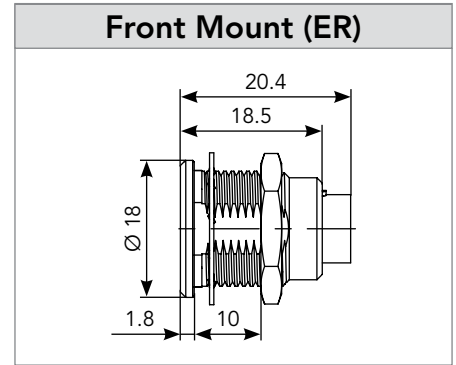
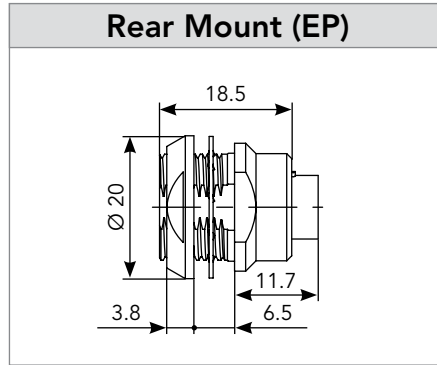
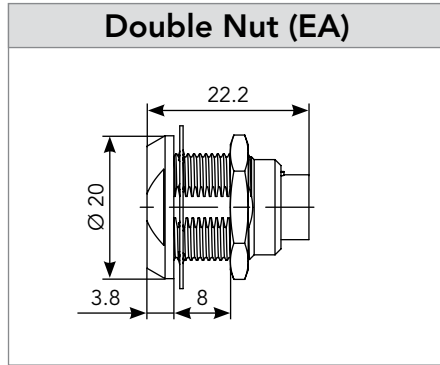
Contact type	Connector type	Description	Part number ⁽¹⁾	
			Male insert	Female insert
Solder contacts see page 147	Receptacle	Double nut (EA)	JBXEA2G08MSSDS	JBXEA2G08FSSDS
		Rear mount (EP)	JBXEP2G08MSSDS	JBXEP2G08FSSDS
		Front mount (ER)	JBXER2G08MSSDSR	JBXER2G08FSSDSR
		In line cable (PC) *	JBXPC2G08MSSDSR	JBXPC2G08FSSDSR
	Plug	Straight plug (FD) *	JBXFD2G08MSSDSR	JBXFD2G08FSSDSR
Crimp contacts see page 147	Receptacle	Double nut (EA)	JBXEA2G08MCSDS	JBXEA2G08FCSDS
		Rear mount (EP)	JBXEP2G08MCSDS	JBXEP2G08FCSDS
		Front mount (ER)	JBXER2G08MCSDSR	JBXER2G08FCSDSR
		In line cable (PC) *	JBXPC2G08MCSDSR	JBXPC2G08FCSDSR
		Rear mount cable (SA) *	JBXSA2G08MCSDS	JBXSA2G08FCSDS
	Plug	Right angle plug (FC) *	JBXFC2G08MCSDSR	JBXFC2G08FCSDSR
		Straight plug (FD) *	JBXFD2G08MCSDSR	JBXFD2G08FCSDSR
Straight PCB contacts see page 147	Receptacle	Double nut (EA)	-	JBXEA2G08FPSDS
		Rear mount (EP)	-	JBXEP2G08FPSDS
		Front mount (ER)	-	JBXER2G08FPSDSR
90° PCB contacts see page 147	Receptacle	Double nut (EA)	-	JBXEA2G08FQSDS
		Rear mount (EP)	-	JBXEP2G08FQSDS

* In order to get the back nut for protective boot please add «M» after the last «S». Example: JBX Straight Plug, size 2, 8 solder contacts, male insert = JBXFD2G08MSSDSMR. ■ : First choice
The protective boot need to be ordered separately, see page accessories.

(1): In order to get a black Chrome over Nickel please replace «S» before the «D» by one «N». Example: JBX Straight Plug, size 2, 8 solder contacts, male insert = JBXFD2G08MSNDSR.

JBX2-08 - IP40 (8 x Ø 0.9 mm) - See waterproof IP68 version page 144

Dimensions (For mated connector lengths see page 147)



Note: all dimensions are in mm

JBX2-08 - IP68 (7 x Ø 0.9 mm) - See non sealed IP40 version page 142



Connector Part Number

Contact type	Connector type	Description	Part number ⁽¹⁾	
			Male insert	Female insert
Solder contacts see page 147	Receptacle	Double nut, front or rear mount (EC)	JBXEC2G08MSSDS	JBXEC2G08FSSDS
		Front mount extended (HH) ☁	JBXHH2G08MSSDSR	JBXHH2G08FSSDSR
	Plug	Straight plug (FH) *	JBXFH2G08MSSDSR	JBXFH2G08FSSDSR
Crimp contacts see page 147	Receptacle	Double nut, front or rear mount (EC)	JBXEC2G08MCSDS	JBXEC2G08FCSDS
		Front mount extended (HH)	JBXHH2G08MCSDSR	JBXHH2G08FCSDSR
	Plug	Straight plug (FH) *	JBXFH2G08MCSDSR	JBXFH2G08FCSDSR
Straight PCB contacts see page 147	Receptacle	Double nut, front or rear mount (EC)	-	JBXEC2G08FPSDS

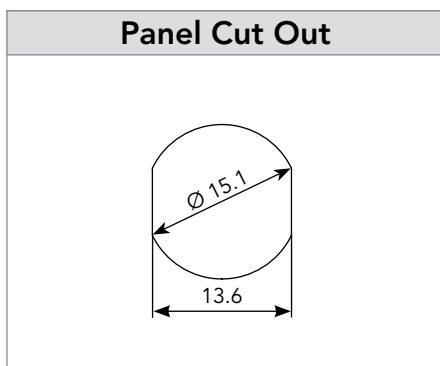
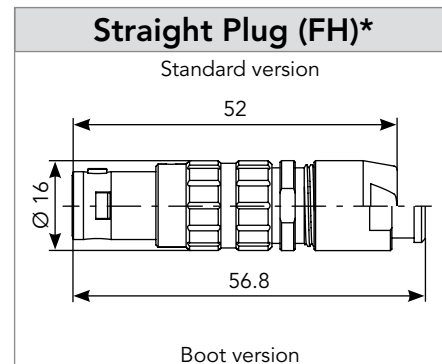
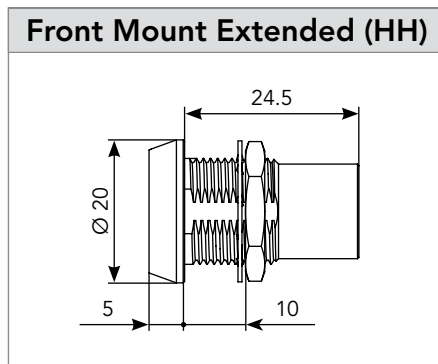
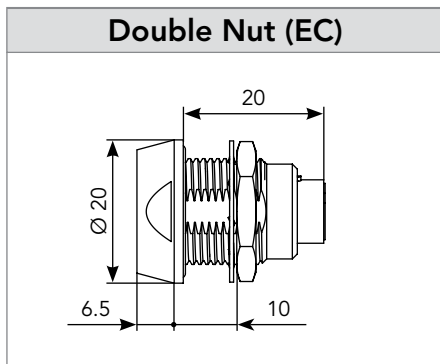
* In order to get the back nut for protective boot please add «M» after the last «S». Example: JBX Straight Plug, size 2, 8 solder contacts, male insert = JBXFH2G08MSSDSMR. The protective boot need to be ordered separately, see page accessories.

1: In order to get a black Chrome over Nickel please replace «S» before the «D» by one «N». Example: JBX Straight Plug, size 2, 8 solder contacts, male insert = JBXFH2G08MSNDSR.

☁ : Sealed in Unmated Condition

JBX2-08 - IP68 (7 x Ø 0.9 mm) - See non sealed IP40 version page 142

Dimensions (For mated connector lengths see page 147)



JBX2-08 - IP40 & IP68 (8 x Ø 0.9 mm)

Accessories

Receptacle Dust Cap




Part number
JBXBR2

Plug Dust Cap




Part number
JBXBF2

Grounding Washer



Part number
JAXRA2252

Insulating Washer



Part number	Color
JBX2RIA	Blue
JBX2RIB	White
JBX2RIG	Grey
JBX2RIJ	Yellow
JBX2RIM	Brown
JBX2RIN	Black
JBX2RIR	Red
JBX2RIV	Green
JBX2RIO	Orange

Note : Insulating washers are not compatible with the IP68 versions

Protective Boot

Available only for PC - FC - FD - SA, FH, with back nut protective boot 



Part number	Color
JBX2MPA	Blue
JBX2MPB	White
JBX2MPG	Grey
JBX2MPJ	Yellow
JBX2MPM	Brown
JBX2MPN	Black
JBX2MPR	Red
JBX2MPV	Green
JBX2MPO	Orange

The overall length is 25 mm longer with the protective boot.
Note: The protective boot is not a sealing element.


Tooling

Crimp Tooling



Part number
MIL-22520/7-01

Locator



Part number	
Male	Female
JBX2OUTLP09	JBX2OUTLS09

Extraction Tool



Part number
JBXOUTDC09

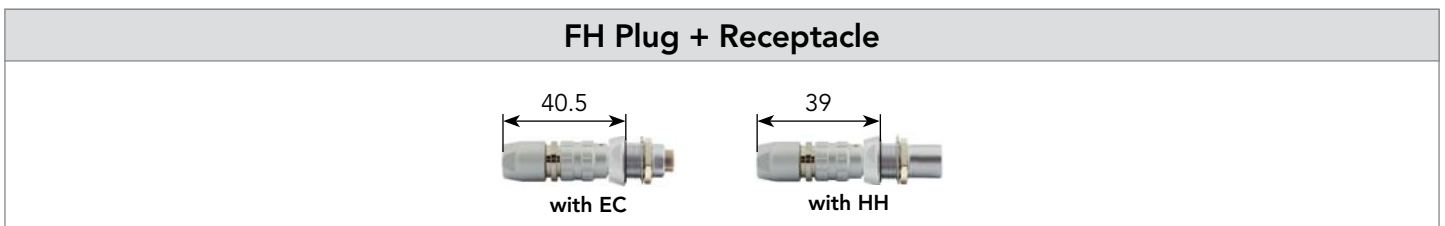
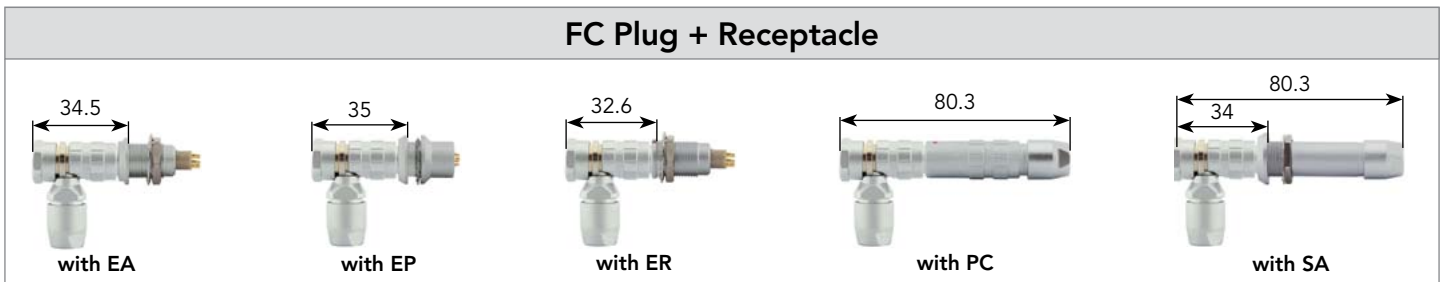
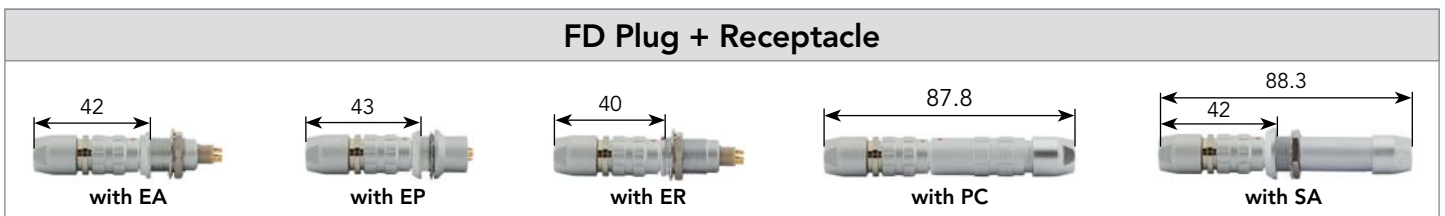
JBX2-08 - IP40 & IP68 (8 x Ø 0.9 mm)

Contacts

Ø 0.9 mm	Contact type	Plating	Contact locking type	AWG
Solder	Machined	0.5 µm gold over 3 to 5 µm Ni	Removable	24
Crimp	Machined	0.5 µm gold over 3 to 5 µm Ni	Removable	20 - 22 - 24
Straight PCB	Machined	0.5 µm gold over 3 to 5 µm Ni	Fixed	-
90° PCB	Machined	0.5 µm gold over 3 to 5 µm Ni	Removable	-

For more information see pages 231 to 234

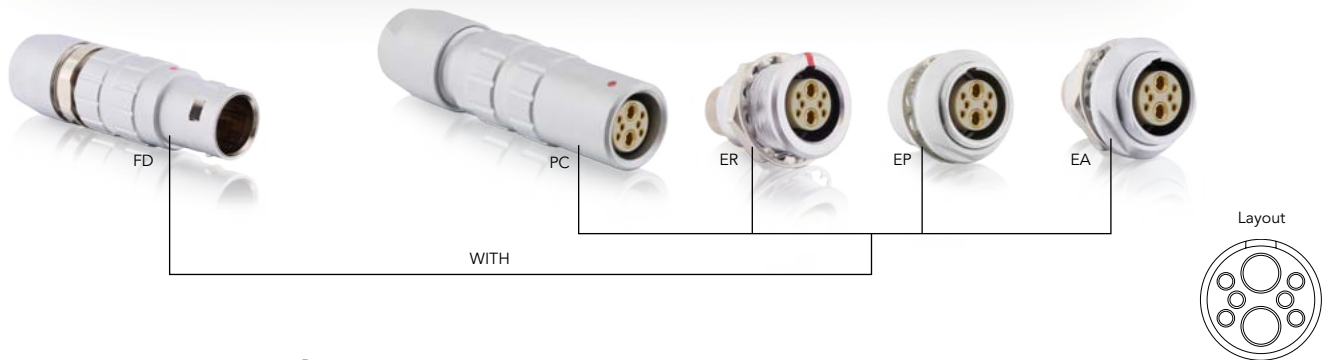
Mated Connector Length



Electrical Characteristics
<p>UL 10A 830V UL94 V-0</p>

Note: all dimensions are in mm

JBX2-001 - IP40 (6 x Ø 0.7 mm + 2 x Ø 2.0 mm) - See waterproof IP68 version page 150



Connector Part Number

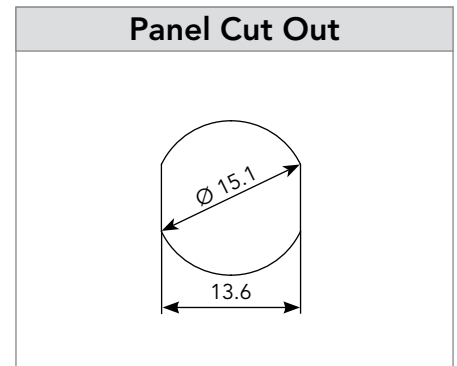
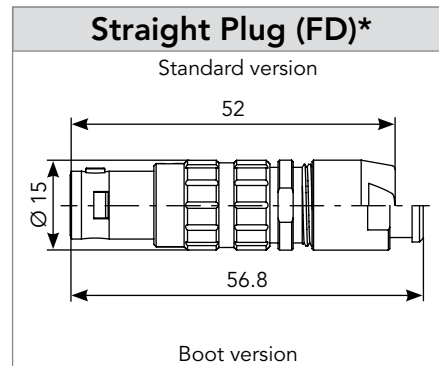
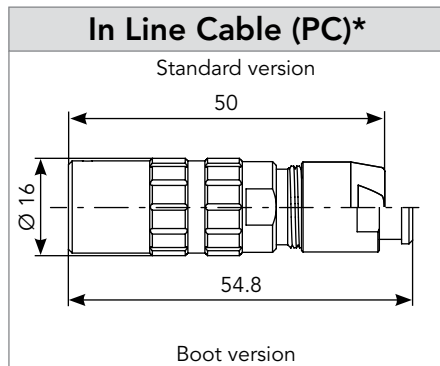
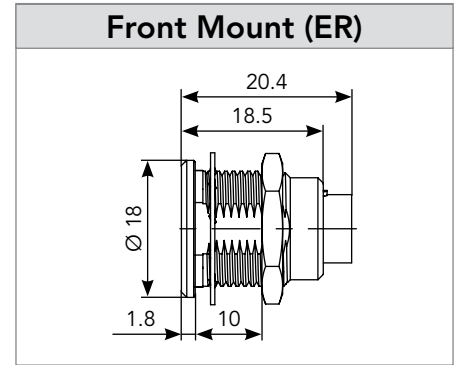
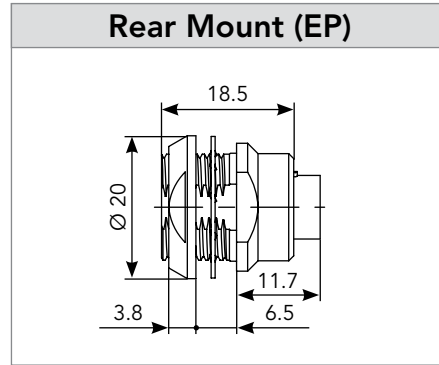
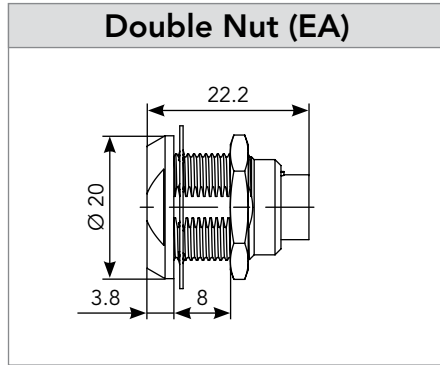
Contact type	Connector type	Description	Part number ⁽¹⁾	
			Male insert	Female insert
Solder contacts see page 153	Receptacle	Double nut (EA)	JBXEA2G001MSSDS	JBXEA2G001FSSDS
		Rear mount (EP)	JBXEP2G001MSSDS	JBXEP2G001FSSDS
		Front mount (ER)	JBXER2G001MSSDSR	JBXER2G001FSSDSR
		In line cable (PC) *	JBXPC2G001MSSDSR	JBXPC2G001FSSDSR
	Plug	Straight plug (FD) *	JBXFD2G001MSSDSR	JBXFD2G001FSSDSR

* In order to get the back nut for protective boot please add «M» after the last «S». Example: JBX Straight Plug, size 2, 8 solder contacts, male insert = JBXFD2G001MSSDSMR. The protective boot need to be ordered separately, see page accessories.

(1): In order to get a black Chrome over Nickel please replace «S» before the «D» by one «N». Example: JBX Straight Plug, size 2, 8 solder contacts, male insert = JBXFD2G001MSNDSR.

JBX2-001 - IP40 (6 x Ø 0.7 mm + 2 x Ø 2.0 mm) - See waterproof IP68 version page 150

Dimensions (For mated connector lengths see page 153)



JBX2-001 - IP68 (6 x Ø 0.7 mm + 2 x Ø 2.0 mm) - See non sealed IP40 version page 148



Connector Part Number

Contact type	Connector type	Description	Part number ⁽¹⁾	
			Male insert	Female insert
Solder contacts see page 153	Receptacle	Double nut, front or rear mount (EC)	JBXEC2G001MSSDS	JBXEC2G001FSSDS
		Front mount extended (HH) ☁	JBXHH2G001MSSDSR	JBXHH2G001FSSDSR
	Plug	Straight plug (FH) *	JBXFH2G001MSSDSR	JBXFH2G001FSSDSR

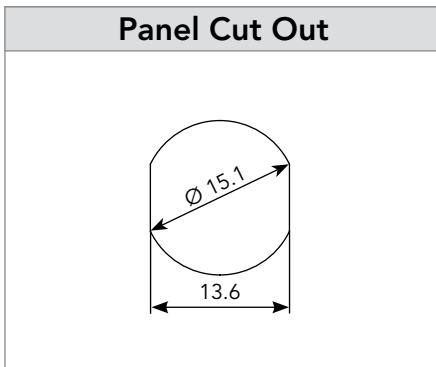
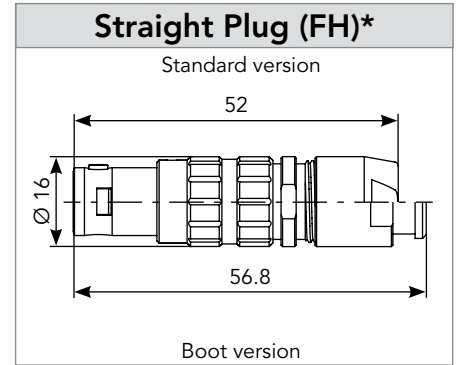
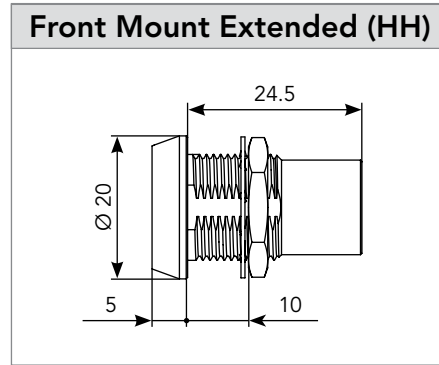
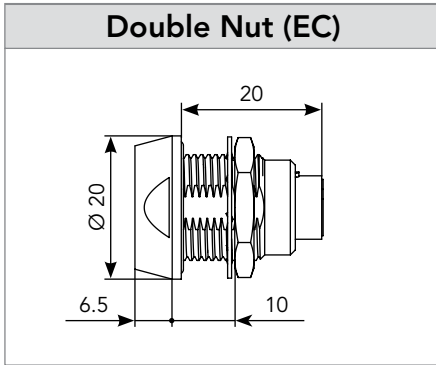
* In order to get the back nut for protective boot please add «M» after the last «S». Example: JBX Straight Plug, size 2, 8 solder contacts, male insert = JBXFH2G001MSSDSMR. The protective boot need to be ordered separately, see page accessories.

1: In order to get a black Chrome over Nickel please replace «S» before the «D» by one «N». Example: JBX Straight Plug, size 2, 8 solder contacts, male insert = JBXFH2G001MSNDSR.

☁ : Sealed in Unmated Condition

JBX2-001 - IP68 (6 x Ø 0.7 mm + 2 x Ø 2.0 mm) - See non sealed IP40 version page 148

Dimensions (For mated connector lengths see page 153)



JBX2-001 - IP40 & IP68 (6 x Ø 0.7 mm + 2 x Ø 2.0 mm)

Accessories

Receptacle Dust Cap




Part number
JBXBR2

Plug Dust Cap




Part number
JBXBF2

Grounding Washer



Part number
JAXRA2252

Insulating Washer



Part number	Color
JBX2RIA	Blue
JBX2RIB	White
JBX2RIG	Grey
JBX2RIJ	Yellow
JBX2RIM	Brown
JBX2RIN	Black
JBX2RIR	Red
JBX2RIV	Green
JBX2RIO	Orange

Note : Insulating washers are not compatible with the IP68 versions

Protective Boot

Available only for PC - FD , FH, with back nut protective boot 




Part number	Color
JBX2MPA	Blue
JBX2MPB	White
JBX2MPG	Grey
JBX2MPJ	Yellow
JBX2MPM	Brown
JBX2MPN	Black
JBX2MPR	Red
JBX2MPV	Green
JBX2MPO	Orange

The overall length is 25 mm longer with the protective boot.

Note: The protective boot is not a sealing element.

Tooling

Extraction Tools



Part number Ø 0.7
JBXOUTDC07

Contacts Ø 2.0
JBXOUTDC20

JBX2-001 - IP40 & IP68 (6 x Ø 0.7 mm + 2 x Ø 2.0 mm)

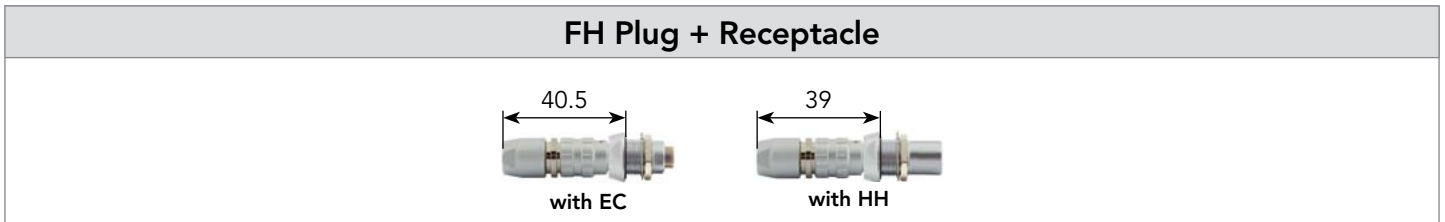
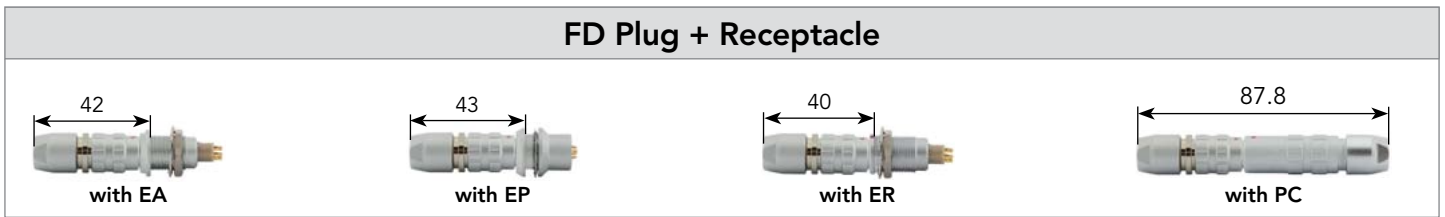
Contacts

Ø 0.7 mm	Contact type	Plating	Contact locking type	AWG - Wire max.
Solder	Machined	0.5 µm gold over 3 to 5 µm Ni	Removable	22

Ø 2.0 mm	Contact type	Plating	Contact locking type	AWG - Wire max.
Solder	Machined	0.5 µm gold over 3 to 5 µm Ni	Removable	16

For more information see page 231

Mated Connector Length



Connector

Electrical Characteristics
<p>UL 26A 700V UL94 V-0</p>

Note: all dimensions are in mm

JBX3-08 - IP40 (8 x Ø 1.3 mm)



Connector Part Number

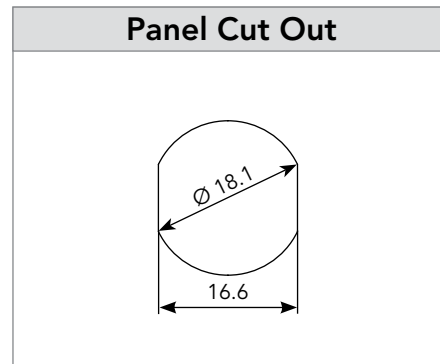
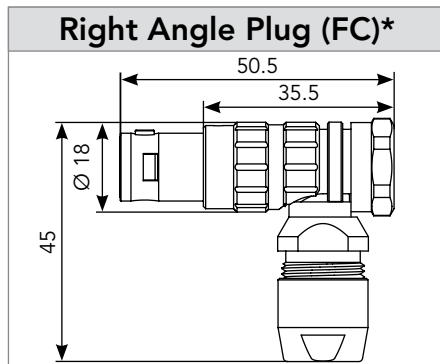
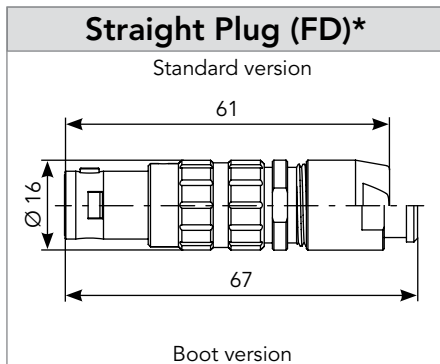
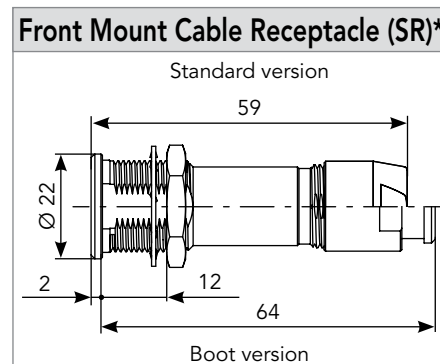
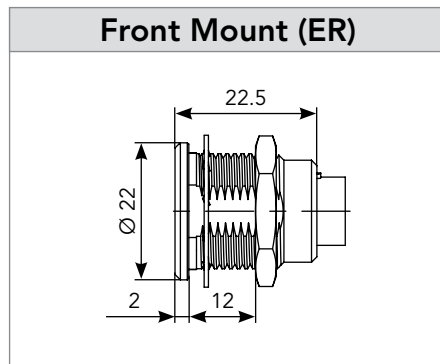
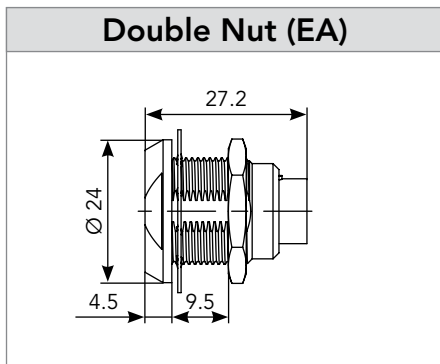
Contact type	Connector type	Description	Part number ⁽¹⁾	
			Male insert	Female insert
Solder contacts see page 157	Receptacle	Double nut (EA)	JBXEA3G08MSSDS	JBXEA3G08FSSDS
		Front mount (ER)	JBXER3G08MSSDSR	JBXER3G08FSSDSR
		Front mount cable (SR) *	JBXSR3G08MSSDSR	JBXSR3G08FSSDSR
	Plug	Straight plug (FD) *	JBXFD3G08MSSDSR	JBXFD3G08FSSDSR
Crimp contacts see page 157	Receptacle	Double nut (EA)	JBXEA3G08MCSDS	JBXEA3G08FCSDS
		Front mount (ER)	JBXER3G08MCSDSR	JBXER3G08FCSDSR
	Plug	Right angle plug (FC) *	JBXFC3G08MCSDSR	JBXFC3G08FCSDSR
		Straight plug (FD) *	JBXFD3G08MCSDSR	JBXFD3G08FCSDSR

* In order to get the back nut for protective boot please add «M» after the last «S». Example: JBX Straight Plug, size 3, 8 solder contacts, male insert = JBXFD3G08MSSDSMR. The protective boot need to be ordered separately, see page accessories.

1: In order to get a black Chrome over Nickel please replace «S» before the «D» by one «N». Example: JBX Straight Plug, size 3, 8 solder contacts, male insert = JBXFD3G08MSNDSR.

JBX3-08 - IP40 (8 x Ø 1.3 mm)

Dimensions (For mated connector lengths see page 157)



JBX3-08 - IP40 (8 x Ø 1.3 mm)

Accessories

Receptacle Dust Cap




Part number
JBXBR3

Plug Dust Cap




Part number
JBXBF3

Grounding Washer



Part number
JAXRA3252

Insulating Washer



Part number	Color
JBX3RIA	Blue
JBX3RIB	White
JBX3RIG	Grey
JBX3RIJ	Yellow
JBX3RIM	Brown
JBX3RIN	Black
JBX3RIR	Red
JBX3RIV	Green
JBX3RIO	Orange

Note : Insulating washers are not compatible with the IP68 versions

Protective Boot

Available only for FC - FD - SR, with back nut protective boot 



Part number	Color
JBX3MPA	Blue
JBX3MPB	White
JBX3MPG	Grey
JBX3MPJ	Yellow
JBX3MPM	Brown
JBX3MPN	Black
JBX3MPR	Red
JBX3MPV	Green
JBX3MPO	Orange

The overall length is 28.5 mm longer with the protective boot.
Note: The protective boot is not a sealing element.


Tooling

Crimp Tooling



Part number
MIL-22520/7-01

Locator



Part number	
Male	Female
JBX30UTLP13	JBX30UTLS13

Extraction Tool



Part number
JBXOUTDC13

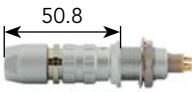
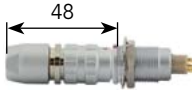
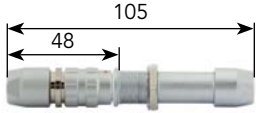


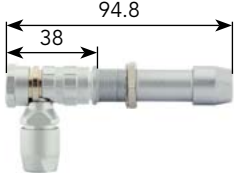
JBX3-08 - IP40 (8 x Ø 1.3 mm)

Contacts

Ø 1.3 mm	Contact type	Plating	Contact locking type	AWG
Solder	Machined	0.5 µm gold over 3 to 5 µm Ni	Removable	20
Crimp	Machined	0.5 µm gold over 3 to 5 µm Ni	Removable	18 - 20 - 22

For more information see pages 231 and 232

Mated Connector Length

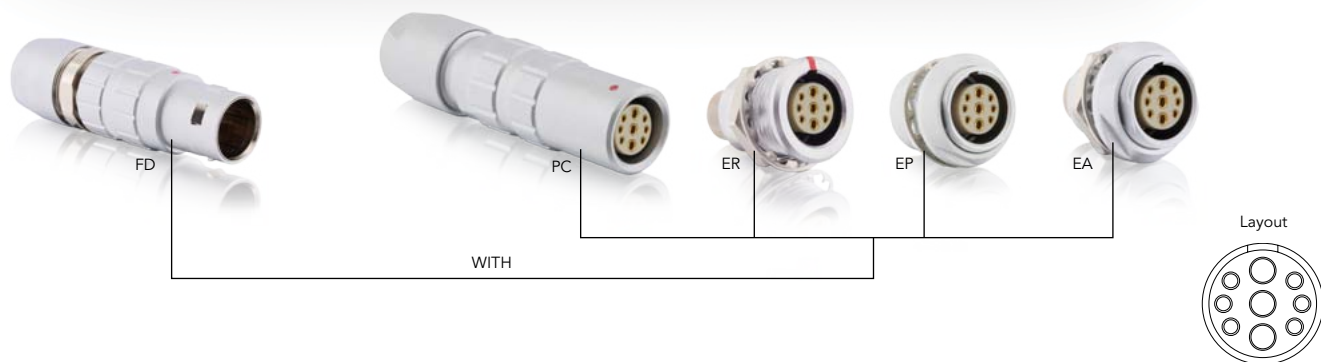
FD Plug + Receptacle		
 <p>50.8 with EA</p>	 <p>48 with ER</p>	 <p>105 48 with SR</p>
FC Plug + Receptacle		
 <p>40.8 with EA</p>	 <p>38 with ER</p>	 <p>94.8 38 with SR</p>

Connector

Electrical Characteristics
<p>UL 12A 830V UL94 V-0</p>

Note: all dimensions are in mm

JBX2-002 - IP40 (6 x Ø 0.7 mm + 3 x Ø 1.3 mm) - See waterproof IP68 version page 160



Connector Part Number

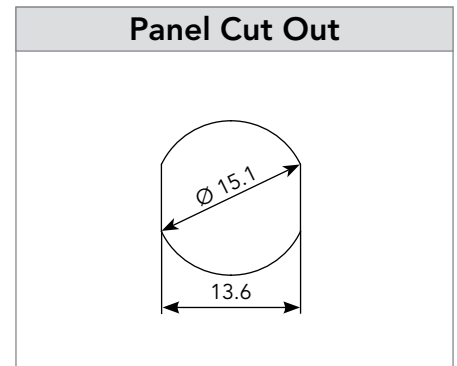
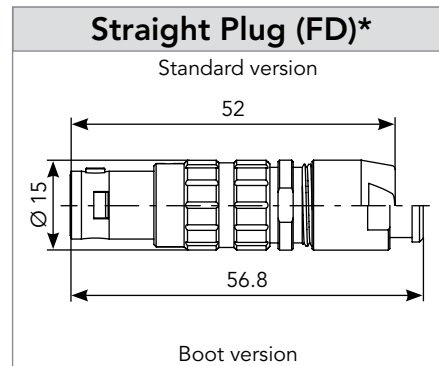
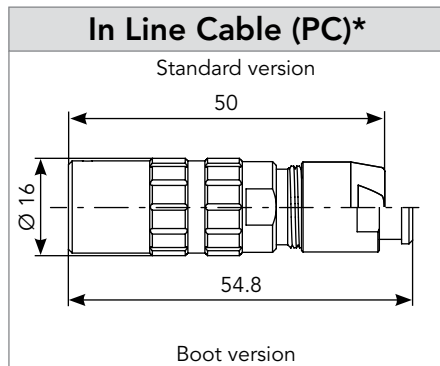
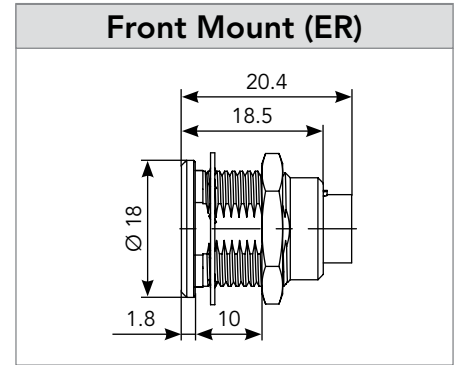
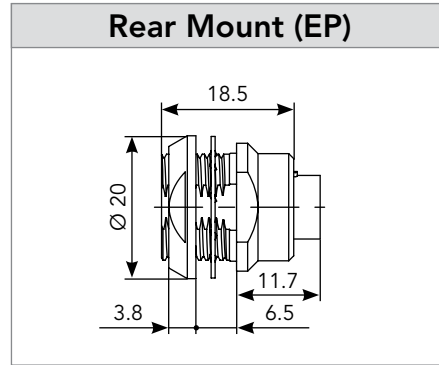
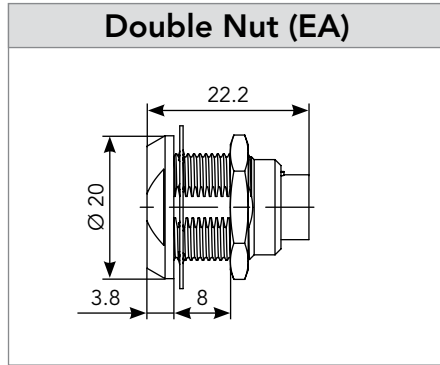
Contact type	Connector type	Description	Part number ⁽¹⁾	
			Male insert	Female insert
Solder contacts see page 163	Receptacle	Double nut (EA)	JBXEA2G002MSSDS	JBXEA2G002FSSDS
		Rear mount (EP)	JBXEP2G002MSSDS	JBXEP2G002FSSDS
		Front mount (ER)	JBXER2G002MSSDSR	JBXER2G002FSSDSR
		In line cable (PC) *	JBXPC2G002MSSDSR	JBXPC2G002FSSDSR
	Plug	Straight plug (FD) *	JBXFD2G002MSSDSR	JBXFD2G002FSSDSR

* In order to get the back nut for protective boot please add «M» after the last «S». Example: JBX Straight Plug, size 2, 9 solder contacts, male insert = JBXFD2G002MSSDSMR. The protective boot need to be ordered separately, see page accessories.

(1): In order to get a black Chrome over Nickel please replace «S» before the «D» by one «N». Example: JBX Straight Plug, size 2, 9 solder contacts, male insert = JBXFD2G002MSNDSR.

JBX2-002 - IP40 (6 x Ø 0.7 mm + 3 x Ø 1.3 mm) - See waterproof IP68 version page 160

Dimensions (For mated connector lengths see page 163)



JBX2-002 - IP68 (6 x Ø 0.7 mm + 3 x Ø 1.3 mm) - See non sealed IP40 version page 158



Connector Part Number

Contact type	Connector type	Description	Part number ⁽¹⁾	
			Male insert	Female insert
Solder contacts see page 163	Receptacle	Double nut, front or rear mount (EC)	JBXEC2G002MSSDS	JBXEC2G002FSSDS
		Front mount extended (HH) ☁	JBXHH2G002MSSDSR	JBXHH2G002FSSDSR
	Plug	Straight plug (FH) *	JBXFH2G002MSSDSR	JBXFH2G002FSSDSR

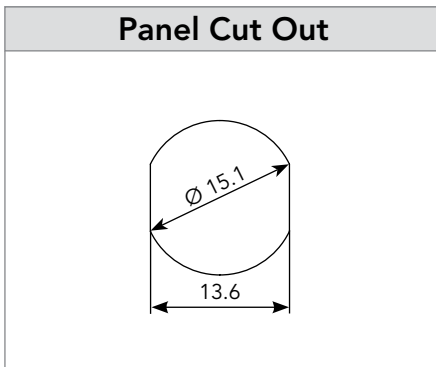
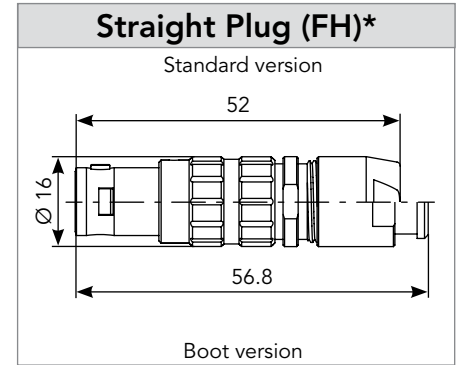
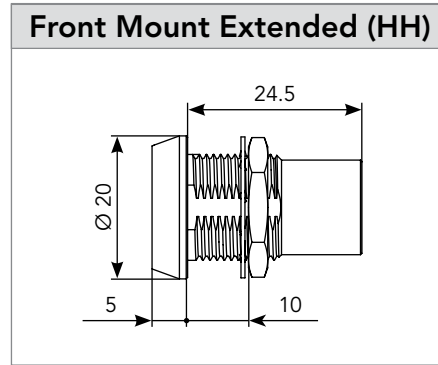
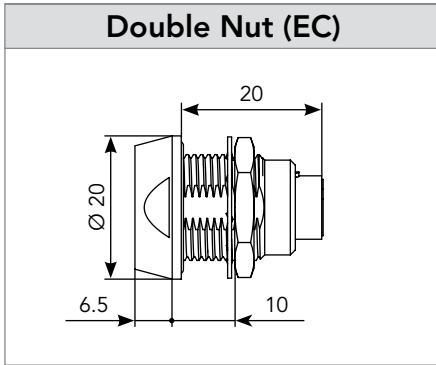
* In order to get the back nut for protective boot please add «M» after the last «S». Example: JBX Straight Plug, size 2, 9 solder contacts, male insert = JBXFH2G002MSSDSMR. The protective boot need to be ordered separately, see page accessories.

1: In order to get a black Chrome over Nickel please replace «S» before the «D» by one «N». Example: JBX Straight Plug, size 2, 9 solder contacts, male insert = JBXFH2G002MSNDSR.

☁ : Sealed in Unmated Condition

JBX2-002 - IP68 (6 x Ø 0.7 mm + 3 x Ø 1.3 mm) - See non sealed IP40 version page 158

Dimensions (For mated connector lengths see page 163)



JBX2-002 - P40 & IP68 (6 x Ø 0.7 mm + 3 x Ø 1.3 mm)

Accessories

Receptacle Dust Cap




Part number
JBXBR2

Plug Dust Cap




Part number
JBXBF2

Grounding Washer



Part number
JAXRA2252

Insulating Washer



Part number	Color
JBX2RIA	Blue
JBX2RIB	White
JBX2RIG	Grey
JBX2RIJ	Yellow
JBX2RIM	Brown
JBX2RIN	Black
JBX2RIR	Red
JBX2RIV	Green
JBX2RIO	Orange

Note : Insulating washers are not compatible with the IP68 versions

Protective Boot

Available only for PC - FD , FH, with back nut protective boot 




Part number	Color
JBX2MPA	Blue
JBX2MPB	White
JBX2MPG	Grey
JBX2MPJ	Yellow
JBX2MPM	Brown
JBX2MPN	Black
JBX2MPR	Red
JBX2MPV	Green
JBX2MPO	Orange

The overall length is 25 mm longer with the protective boot.

Note: The protective boot is not a sealing element.

Tooling

Extraction Tools



Part number Ø 0.7
JBXOUTDC07

Part number Ø 1.3
JBXOUTDC13

JBX2-002 - P40 & IP68 (6 x Ø 0.7 mm + 3 x Ø 1.3 mm)

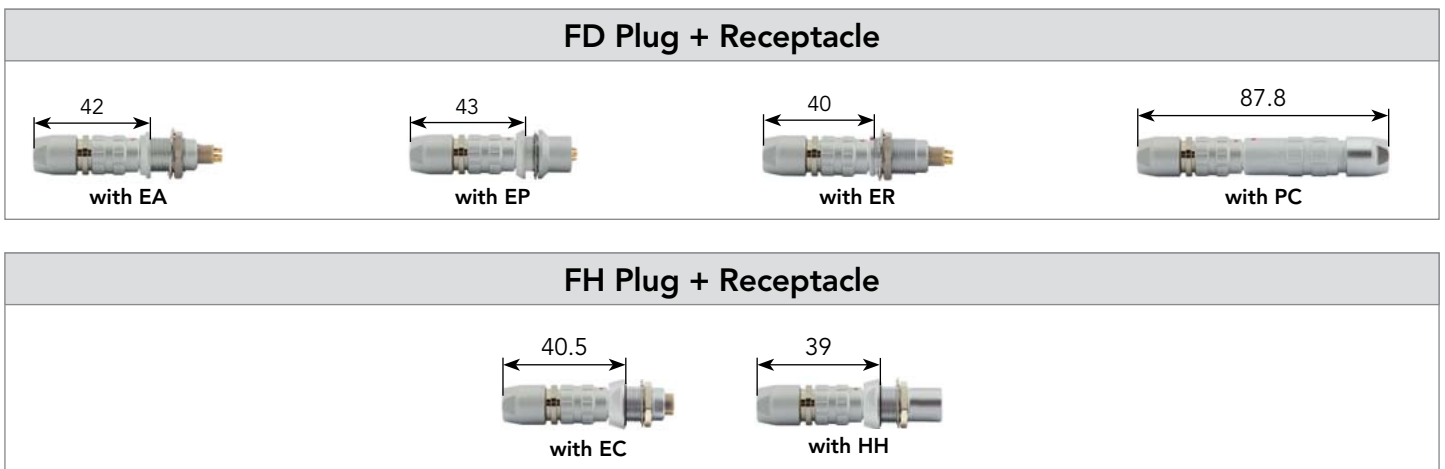
Contacts

Ø 0.7 mm	Contact type	Plating	Contact locking type	AWG - Wire max.
Solder	Machined	0.5 µm gold over 3 to 5 µm Ni	Removable	22

Ø 1.3 mm	Contact type	Plating	Contact locking type	AWG - Wire max.
Solder	Machined	0.5 µm gold over 3 to 5 µm Ni	Removable	20

For more information see page 231

Mated Connector Length

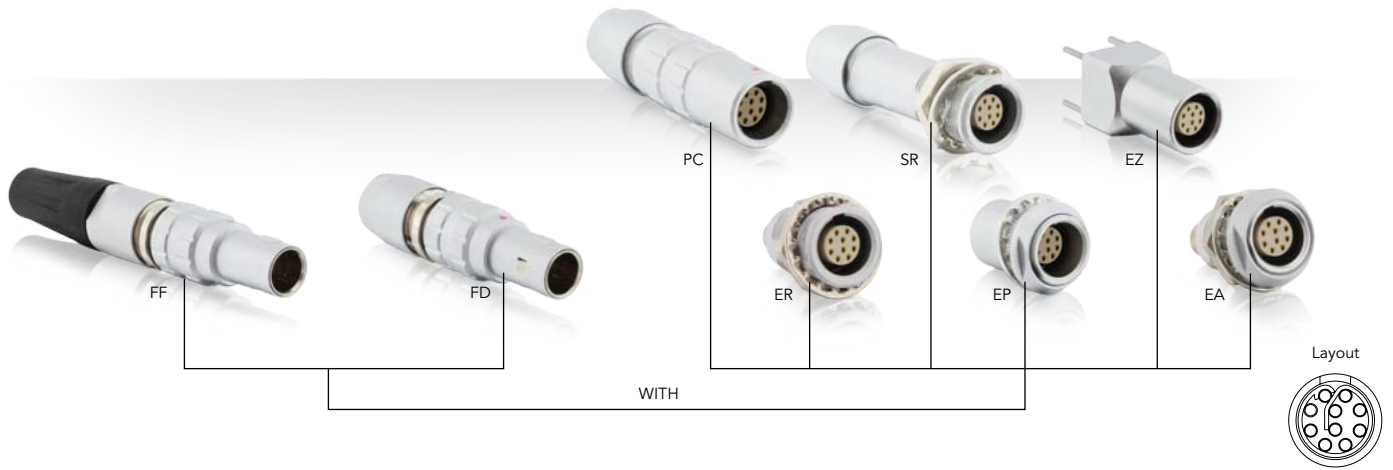


Connector

Electrical Characteristics
<p>UL 26A 700V UL94 V-0</p>

Note: all dimensions are in mm

JBX1-10 - IP40 (10 x Ø 0.5mm)



Connector Part Number

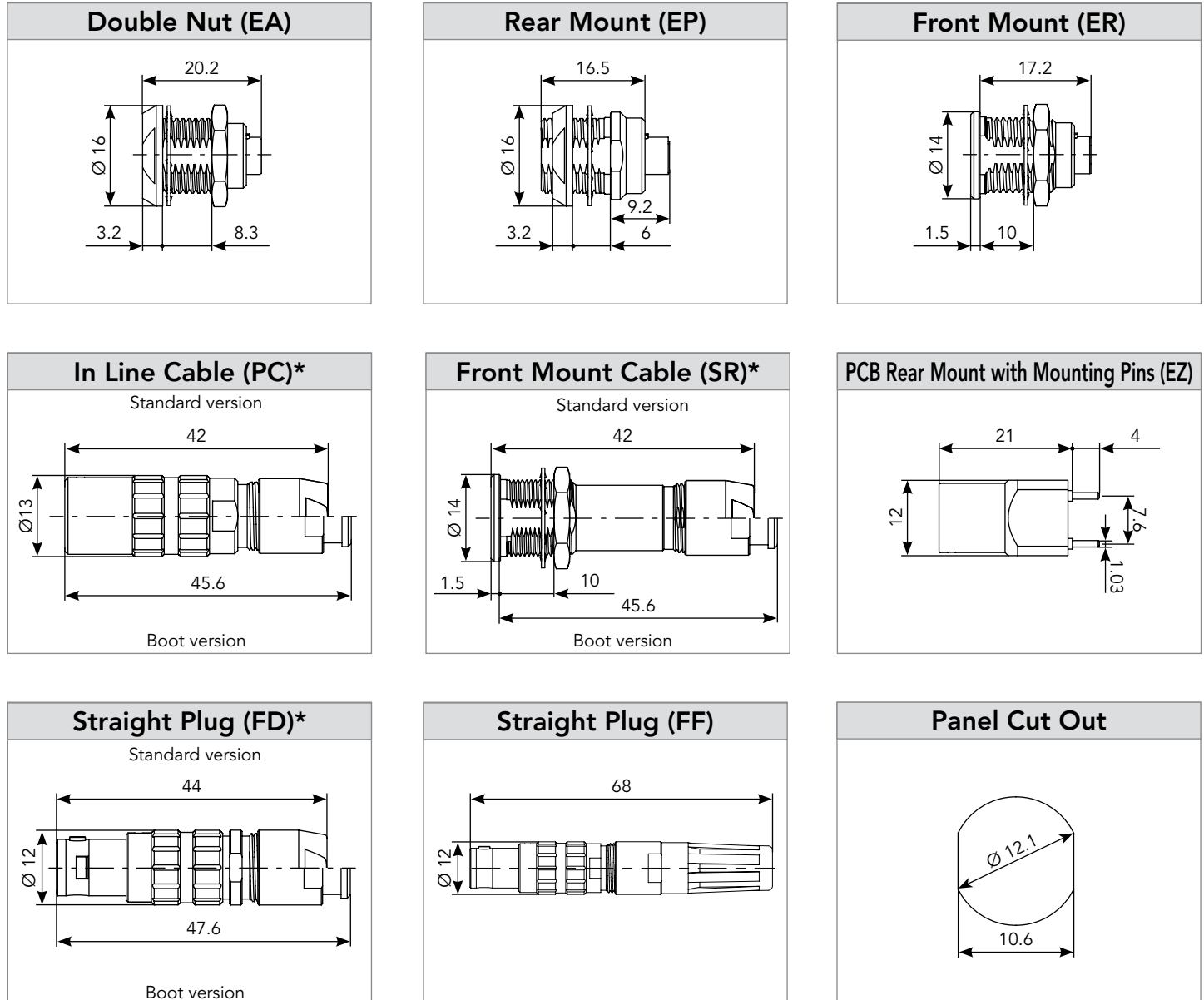
Contact type	Connector type	Description	Part number ⁽¹⁾	
			Male insert	Female insert
Solder contacts see page 167	Receptacle	Double nut (EA)	JBXEA1G10MSSDS	JBXEA1G10FSSDS
		Rear mount (EP)	JBXEP1G10MSSDS	JBXEP1G10FSSDS
		Front mount (ER)	JBXER1G10MSSDSR	JBXER1G10FSSDSR
		In line cable (PC) *	JBXPC1G10MSSDSR	JBXPC1G10FSSDSR
	Front mount cable (SR) *	JBXSR1G10MSSDSR	JBXSR1G10FSSDSR	
	Plug	Straight plug (FD) *	JBXFD1G10MSSDSR	JBXFD1G10FSSDSR
Straight plug no latch (FF) with black protective boot		JBXFF1G10MSSDSR	JBXFF1G10FSSDSR	
Straight PCB contacts see page 167	Receptacle	Double nut (EA)	-	JBXEA1G10FPSDS
		Front mount (ER)	-	JBXER1G10FPSDSR
		PCB rear mount with mounting pins (EZ)	-	JBXEZ1G10FPSDSR

* In order to get the back nut for protective boot please add «M» after the last «S». Example: JBX Straight Plug, size 1, 10 solder contacts, male insert = JBXFD1G10MSSDSMR. : First choice
The protective boot need to be ordered separately, see page accessories.

(1): In order to get a black Chrome over Nickel please replace «S» before the «D» by one «N». Example: JBX Straight Plug, size 1, 10 solder contacts, male insert = JBXFD1G10MSNDSR.

JBX1-10 - IP40 (10 x Ø 0.5mm)

Dimensions (For mated connector lengths see page 167)



Connector

Note: all dimensions are in mm

JBX1-10 - IP40 (10 x Ø 0.5mm)

Receptacle Dust Cap




Part number
JBXBR1

Plug Dust Cap




Part number
JBXBF1

Grounding Washer



Part number
JAXRA1251


Insulating Washer




Part number	Color
JBX1RIA	Blue
JBX1RIB	White
JBX1RIG	Grey
JBX1RIJ	Yellow
JBX1RIM	Brown
JBX1RIN	Black
JBX1RIR	Red
JBX1RIV	Green
JBX1RIO	Orange

Note : Insulating washers are not compatible with the IP68 versions

Protective Boot

Available only for PC - FC - FD - SR, with back nut protective boot 



Part number	Color
JBX1MPA	Blue
JBX1MPB	White
JBX1MPG	Grey
JBX1MPJ	Yellow
JBX1MPM	Brown
JBX1MPN	Black
JBX1MPR	Red
JBX1MPV	Green
JBX1MPO	Orange

The overall length is 21 mm longer with the protective boot.
Note: The protective boot is not a sealing element.

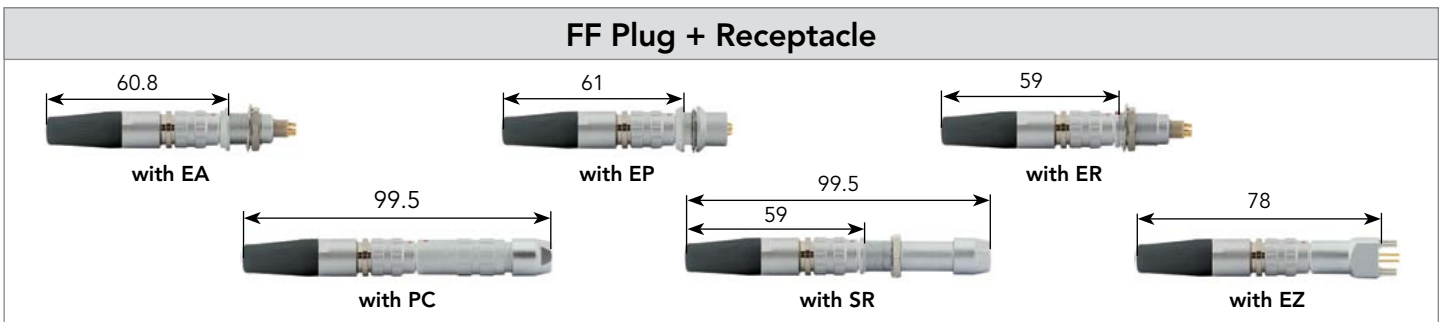
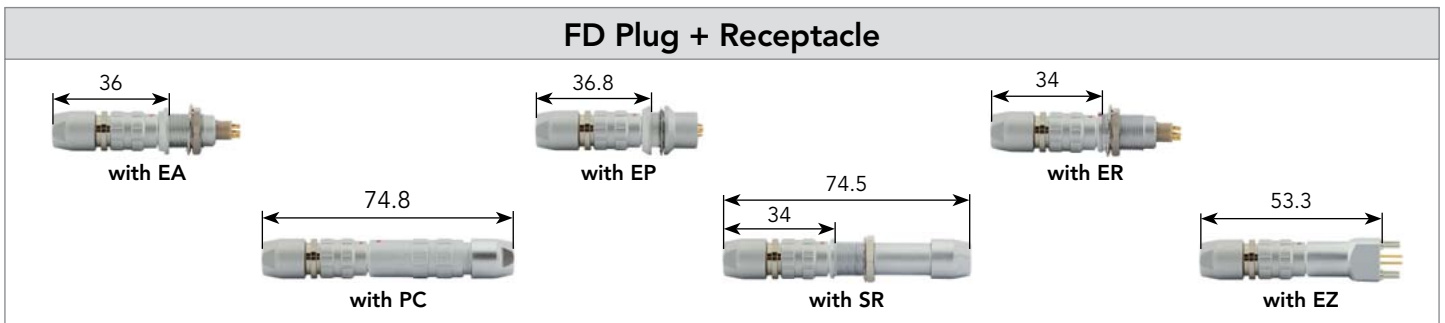
JBX1-10 - IP40 (10 x Ø 0.5mm)

Contacts

Ø 0.5 mm	Contact type	Plating	Contact locking type	AWG - Wire max.
Solder	Machined	0.5 µm gold over 3 to 5 µm Ni	Fixed	28
Straight PCB	Machined	0.5 µm gold over 3 to 5 µm Ni	Fixed	-

For more information see pages 231 and 233

Mated Connector Length

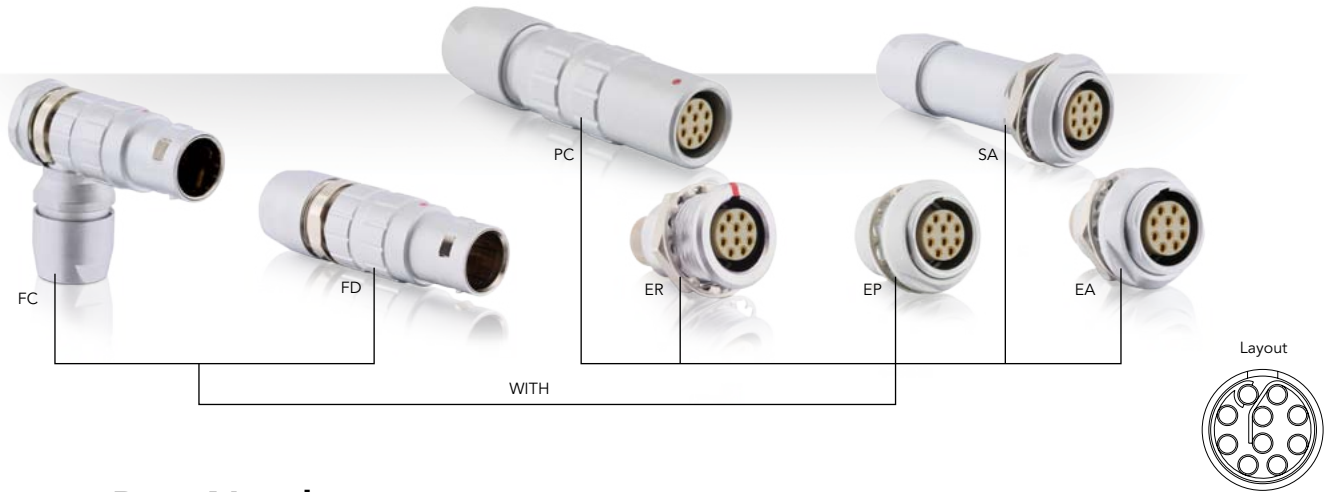


Electrical Characteristics

UL
2.5A 300V UL94 V-0

Note: all dimensions are in mm

JBX2-10 - IP40 (10 x Ø 0.9 mm) - See waterproof IP68 version page 170



Connector Part Number

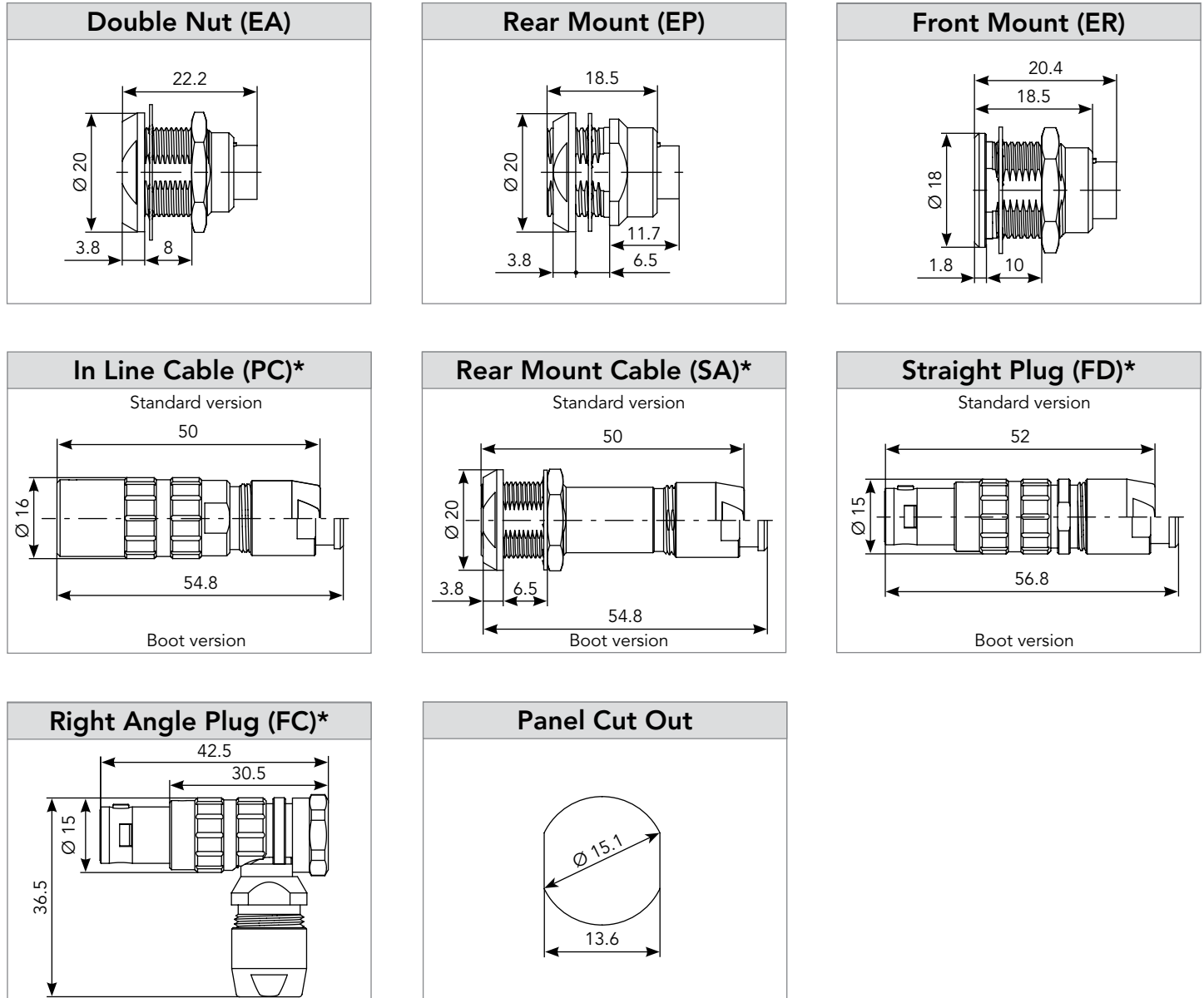
Contact type	Connector type	Description	Part number ⁽¹⁾	
			Male insert	Female insert
Solder contacts see page 173	Receptacle	Double nut (EA)	JBXEA2G10MSSDS	JBXEA2G10FSSDS
		Rear mount (EP)	JBXEP2G10MSSDS	JBXEP2G10FSSDS
		Front mount (ER)	JBXER2G10MSSDSR	JBXER2G10FSSDSR
		In line cable (PC) *	JBXPC2G10MSSDSR	JBXPC2G10FSSDSR
	Plug	Straight plug (FD) *	JBXFD2G10MSSDSR	JBXFD2G10FSSDSR
Crimp contacts see page 173	Receptacle	Double nut (EA)	JBXEA2G10MCSDS	JBXEA2G10FCSDS
		Rear mount (EP)	JBXEP2G10MCSDS	JBXEP2G10FCSDS
		Front mount (ER)	JBXER2G10MCSDSR	JBXER2G10FCSDSR
		In line cable (PC) *	JBXPC2G10MCSDSR	JBXPC2G10FCSDSR
		Rear mount cable (SA) *	JBXSA2G10MCSDS	JBXSA2G10FCSDS
	Plug	Right angle plug (FC) *	JBXFC2G10MCSDSR	JBXFC2G10FCSDSR
		Straight plug (FD) *	JBXFD2G10MCSDSR	JBXFD2G10FCSDSR
Straight PCB contacts see page 173	Receptacle	Double nut (EA)	-	JBXEA2G10FPSDS
		Rear mount (EP)	-	JBXEP2G10FPSDS
		Front mount (ER)	-	JBXER2G10FPSDSR
90° PCB contacts see page 173	Receptacle	Double nut (EA)	-	JBXEA2G10FQSDS
		Rear mount (EP)	-	JBXEP2G10FQSDS

* In order to get the back nut for protective boot please add «M» after the last «S». Example: JBX Straight Plug, size 2, 10 solder contacts, male insert = JBXFD2G10MSSDSMR. : First choice
The protective boot need to be ordered separately, see page accessories.

(1): In order to get a black Chrome over Nickel please replace «S» before the «D» by one «N». Example: JBX Straight Plug, size 2, 10 solder contacts, male insert = JBXFD2G10MSNDSR.

JBX2-10 - IP40 (10 x Ø 0.9 mm) - See waterproof IP68 version page 170

Dimensions (For mated connector lengths see page 173)



Connector

Note: all dimensions are in mm

JBX2-10 - IP68 (10 x Ø 0.9 mm) - See non sealed IP40 version page 168



Connector Part Number

Contact type	Connector type	Description	Part number ⁽¹⁾	
			Male insert	Female insert
Solder contacts see page 173	Receptacle	Double nut, front or rear mount (EC)	JBXEC2G10MSSDS	JBXEC2G10FSSDS
		Front mount extended (HH) ☁	JBXHH2G10MSSDSR	JBXHH2G10FSSDSR
	Plug	Straight plug (FH) *	JBXFH2G10MSSDSR	JBXFH2G10FSSDSR
Crimp contacts see page 173	Receptacle	Double nut, front or rear mount (EC)	JBXEC2G10MCSDS	JBXEC2G10FCSDS
		Front mount extended (HH)	JBXHH2G10MCSDSR	JBXHH2G10FCSDSR
	Plug	Straight plug (FH) *	JBXFH2G10MCSDSR	JBXFH2G10FCSDSR
Straight PCB contacts see page 173	Receptacle	Double nut, front or rear mount (EC)	-	JBXEC2G10FPSDS

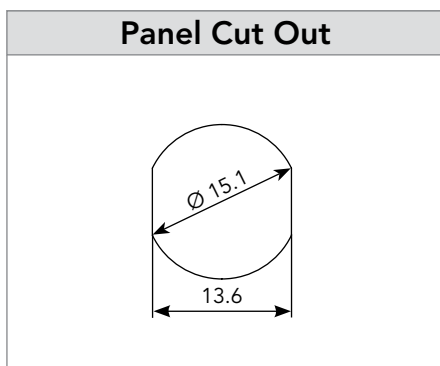
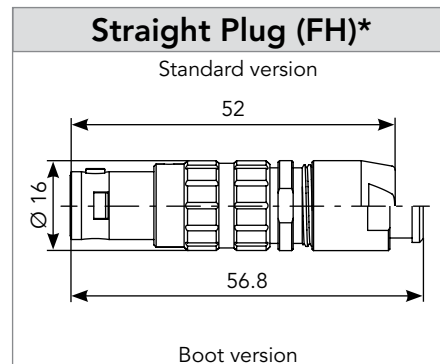
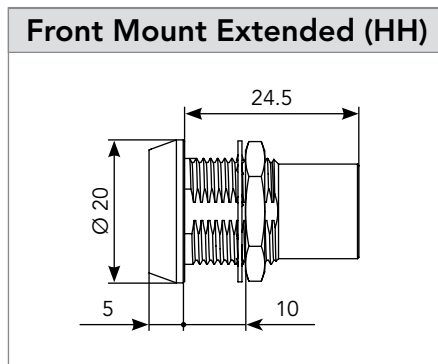
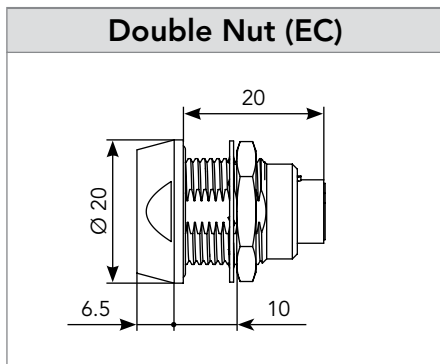
* In order to get the back nut for protective boot please add «M» after the last «S». Example: JBX Straight Plug, size 2, 10 solder contacts, male insert = JBXFH2G10MSSDSMR. The protective boot need to be ordered separately, see page accessories.

1: In order to get a black Chrome over Nickel please replace «S» before the «D» by one «N». Example: JBX Straight Plug, size 2, 10 solder contacts, male insert = JBXFH2G10MSNDSR.

☁ : Sealed in Unmated Condition

JBX2-10 - IP68 (10 x Ø 0.9 mm) - See non sealed IP40 version page 168

Dimensions (For mated connector lengths see page 173)



JBX2-10 - IP40 & IP68 (10 x Ø 0.9 mm)

Accessories

Receptacle Dust Cap




Part number
JBXBR2

Plug Dust Cap




Part number
JBXBF2

Grounding Washer



Part number
JAXRA2252

Insulating Washer



Part number	Color
JBX2RIA	Blue
JBX2RIB	White
JBX2RIG	Grey
JBX2RIJ	Yellow
JBX2RIM	Brown
JBX2RIN	Black
JBX2RIR	Red
JBX2RIV	Green
JBX2RIO	Orange

Note : Insulating washers are not compatible with the IP68 versions

Protective Boot

Available only for PC - FC - FD - SA, FH, with back nut protective boot 



Part number	Color
JBX2MPA	Blue
JBX2MPB	White
JBX2MPG	Grey
JBX2MPJ	Yellow
JBX2MPM	Brown
JBX2MPN	Black
JBX2MPR	Red
JBX2MPV	Green
JBX2MPO	Orange

The overall length is 25 mm longer with the protective boot.
Note: The protective boot is not a sealing element.


Tooling

Crimp Tooling



Part number
MIL-22520/7-01

Locator



Part number	
Male	Female
JBX2OUTLP09	JBX2OUTLS09

Extraction Tool



Part number
JBXOUTDC09

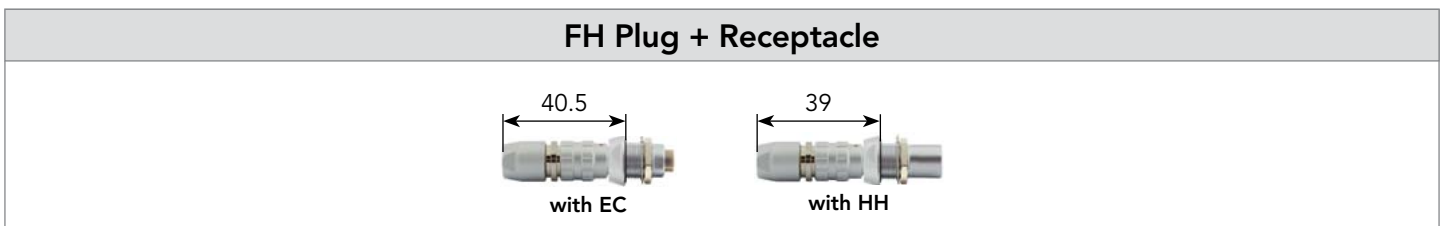
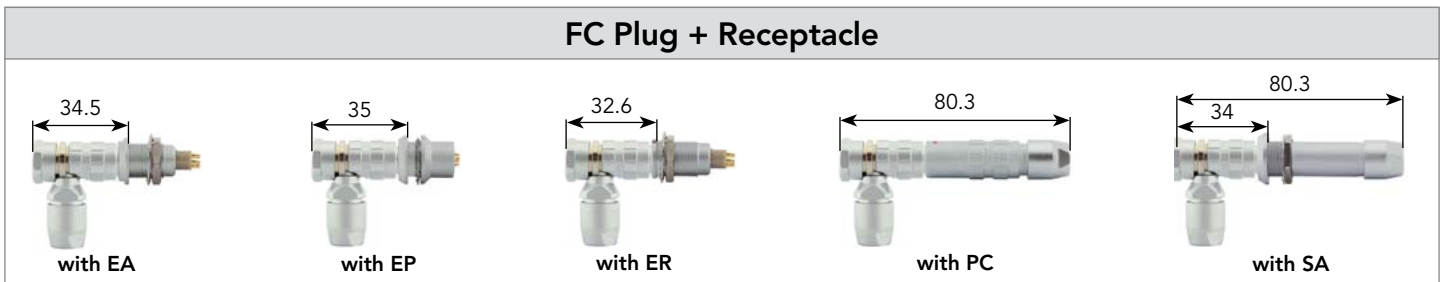
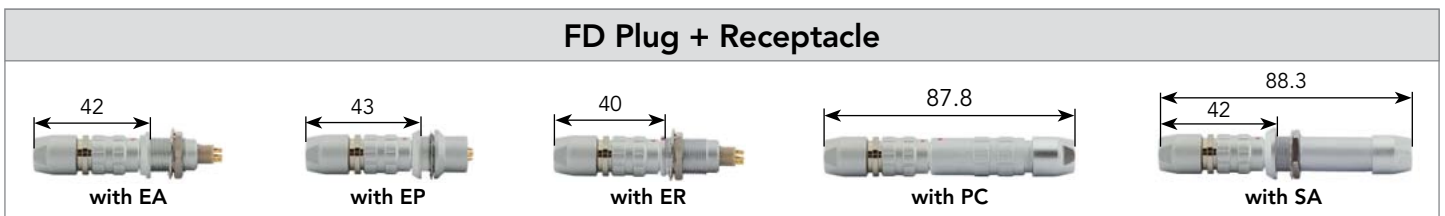
JBX2-10 - IP40 & IP68 (10 x Ø 0.9 mm)

Contacts

Ø 0.9 mm	Contact type	Plating	Contact locking type	AWG
Solder	Machined	0.5 µm gold over 3 to 5 µm Ni	Removable	24
Crimp	Machined	0.5 µm gold over 3 to 5 µm Ni	Removable	20 - 22 - 24
Straight PCB	Machined	0.5 µm gold over 3 to 5 µm Ni	Fixed	-
90° PCB	Machined	0.5 µm gold over 3 to 5 µm Ni	Removable	-

For more information see pages 231 to 234

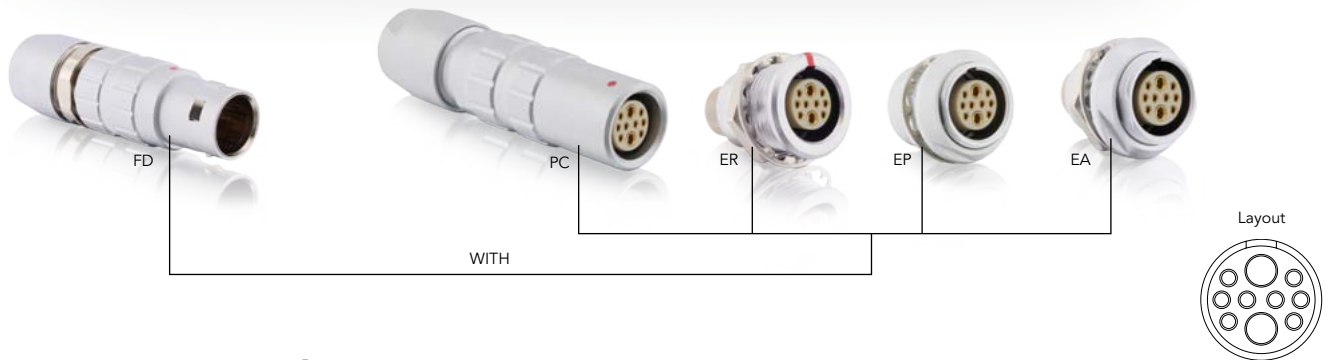
Mated Connector Length



Electrical Characteristics
<p>UL 8A 830V UL94 V-0</p>

Note: all dimensions are in mm

JBX2-003 - IP40 (8 x Ø 0.7 mm + 2 x Ø 1.6 mm) - See waterproof IP68 version page 176



Connector Part Number

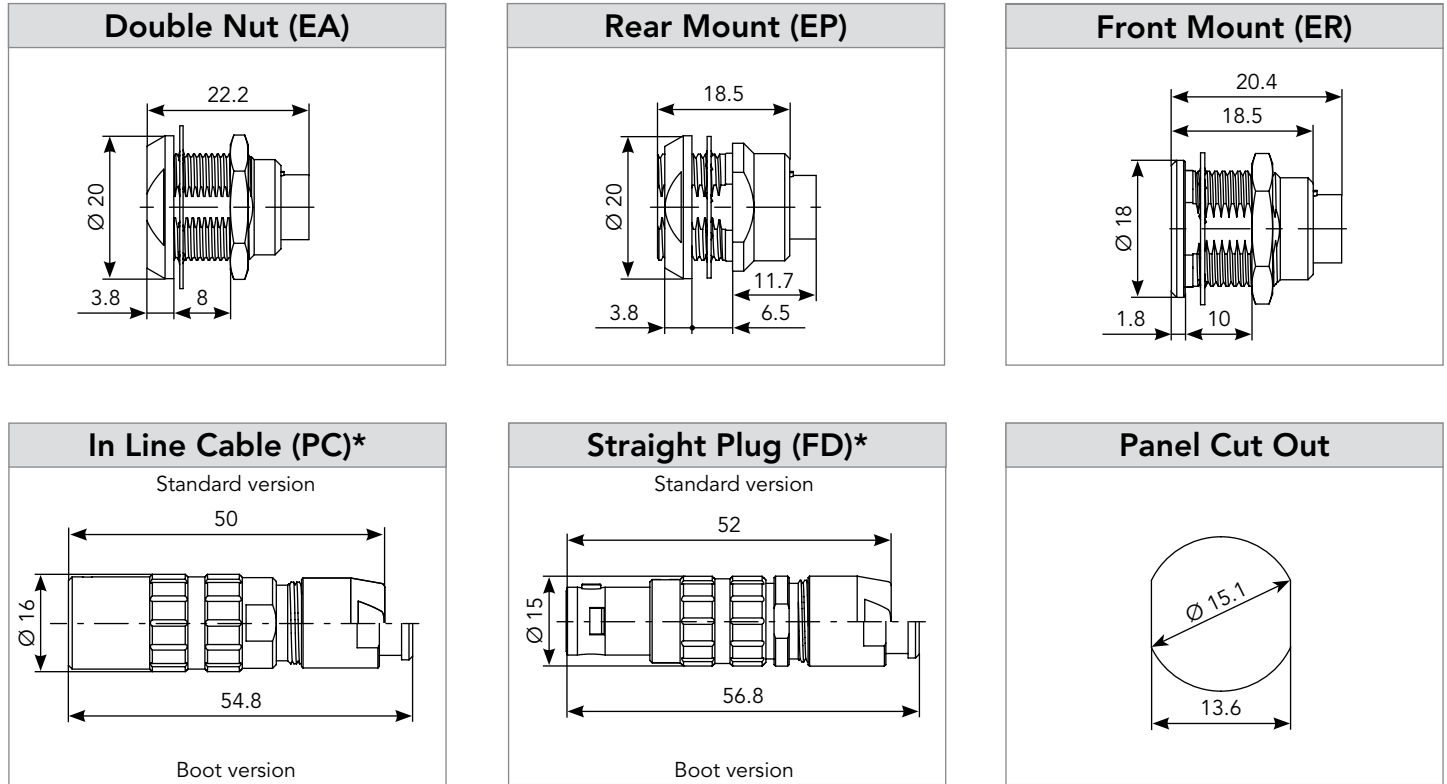
Contact type	Connector type	Description	Part number ⁽¹⁾	
			Male insert	Female insert
Solder contacts see page 179	Receptacle	Double nut (EA)	JBXEA2G003MSSDS	JBXEA2G003FSSDS
		Rear mount (EP)	JBXEP2G003MSSDS	JBXEP2G003FSSDS
		Front mount (ER)	JBXER2G003MSSDSR	JBXER2G003FSSDSR
		In line cable (PC) *	JBXPC2G003MSSDSR	JBXPC2G003FSSDSR
	Plug	Straight plug (FD) *	JBXFD2G003MSSDSR	JBXFD2G003FSSDSR

* In order to get the back nut for protective boot please add «M» after the last «S». Example: JBX Straight Plug, size 2, 10 solder contacts, male insert = JBXFD2G003MSSDSMR. The protective boot need to be ordered separately, see page accessories.

(1): In order to get a black Chrome over Nickel please replace «S» before the «D» by one «N». Example: JBX Straight Plug, size 2, 10 solder contacts, male insert = JBXFD2G003MSNDSR.

JBX2-003 - IP40 (8 x Ø 0.7 mm + 2 x Ø 1.6 mm) - See waterproof IP68 version page 176

Dimensions (For mated connector lengths see page 179)



JBX2-003 - IP68 (8 x Ø 0.7 mm + 2 x Ø 1.6 mm) - See non sealed IP40 version page 174



Connector Part Number

Contact type	Connector type	Description	Part number ⁽¹⁾	
			Male insert	Female insert
Solder contacts see page 179	Receptacle	Double nut, front or rear mount (EC)	JBXEC2G003MSSDS	JBXEC2G003FSSDS
		Front mount extended (HH) ☁	JBXHH2G003MSSDSR	JBXHH2G003FSSDSR
	Plug	Straight plug (FH) *	JBXFH2G003MSSDSR	JBXFH2G003FSSDSR

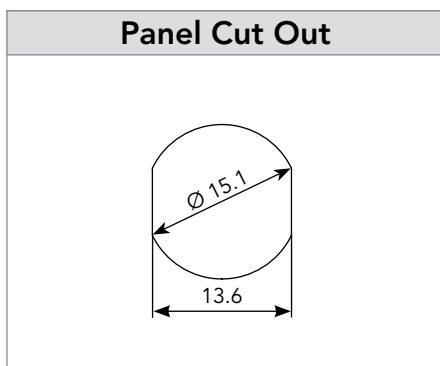
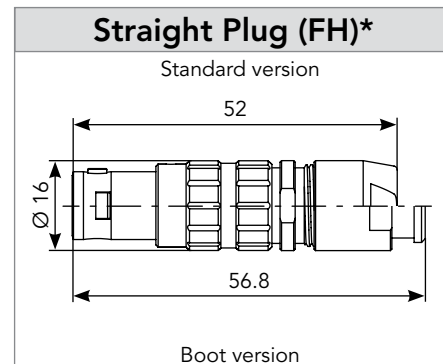
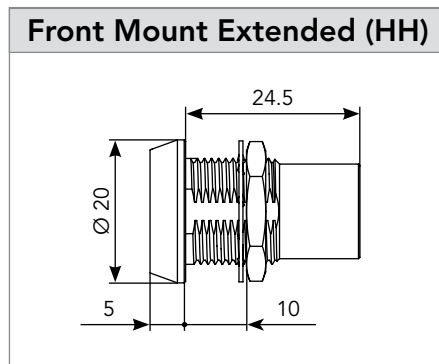
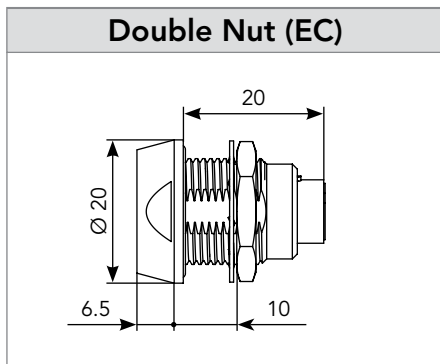
* In order to get the back nut for protective boot please add «M» after the last «S». Example: JBX Straight Plug, size 2, 10 solder contacts, male insert = JBXFH2G003MSSDSMR. The protective boot need to be ordered separately, see page accessories.

1: In order to get a black Chrome over Nickel please replace «S» before the «D» by one «N». Example: JBX Straight Plug, size 2, 10 solder contacts, male insert = JBXFH2G003MSNDSR.

☁ : Sealed in Unmated Condition

JBX2-003 - IP68 (8 x Ø 0.7 mm + 2 x Ø 1.6 mm) - See non sealed IP40 version page 174

Dimensions (For mated connector lengths see page 179)



JBX2-003 - IP40 & IP68 (8 x Ø 0.7 mm + 2 x Ø 1.6 mm)

Accessories

Receptacle Dust Cap




Part number
JBXBR2

Plug Dust Cap




Part number
JBXBF2

Grounding Washer



Part number
JAXRA2252

Insulating Washer



Part number	Color
JBX2RIA	Blue
JBX2RIB	White
JBX2RIG	Grey
JBX2RIJ	Yellow
JBX2RIM	Brown
JBX2RIN	Black
JBX2RIR	Red
JBX2RIV	Green
JBX2RIO	Orange

Note : Insulating washers are not compatible with the IP68 versions

Protective Boot

Available only for PC - FD , FH, with back nut protective boot 




Part number	Color
JBX2MPA	Blue
JBX2MPB	White
JBX2MPG	Grey
JBX2MPJ	Yellow
JBX2MPM	Brown
JBX2MPN	Black
JBX2MPR	Red
JBX2MPV	Green
JBX2MPO	Orange

The overall length is 25 mm longer with the protective boot.

Note: The protective boot is not a sealing element.

Tooling

Extraction Tools



Part number Ø 0.7
JBXOUTDC07

Part number Ø 1.6
JBXOUTDC16

JBX2-003 - IP40 & IP68 (8 x Ø 0.7 mm + 2 x Ø 1.6 mm)

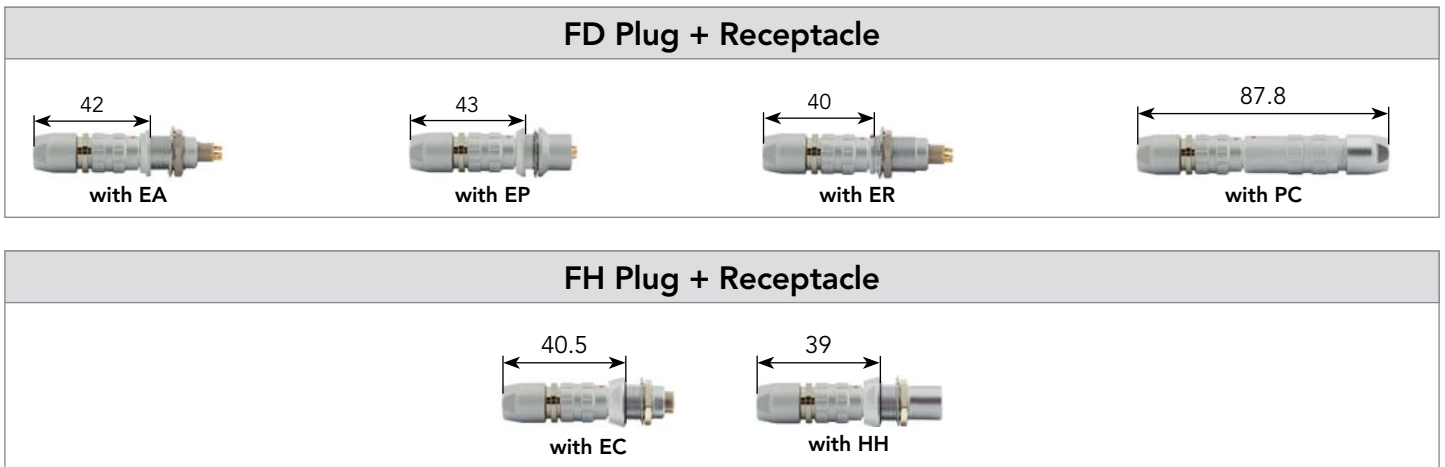
Contacts

Ø 0.7 mm	Contact type	Plating	Contact locking type	AWG - Wire max.
Solder	Machined	0.5 µm gold over 3 to 5 µm Ni	Removable	22

Ø 1.6 mm	Contact type	Plating	Contact locking type	AWG - Wire max.
Solder	Machined	0.5 µm gold over 3 to 5 µm Ni	Removable	18

For more information see page 231

Mated Connector Length



Connector

Electrical Characteristics
<p>UL 17A 700V UL94 V-0</p>

Note: all dimensions are in mm

JBX3-10 - IP40 (10 x Ø 1.3 mm)



Connector Part Number

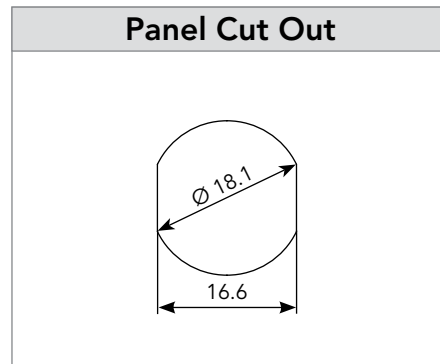
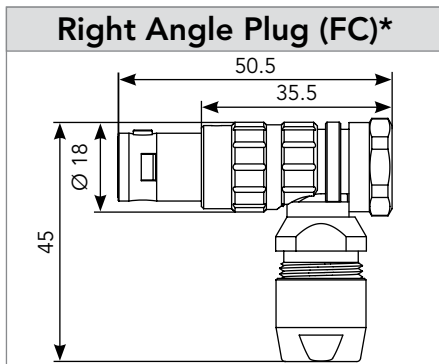
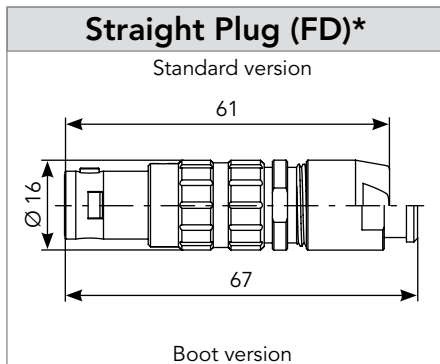
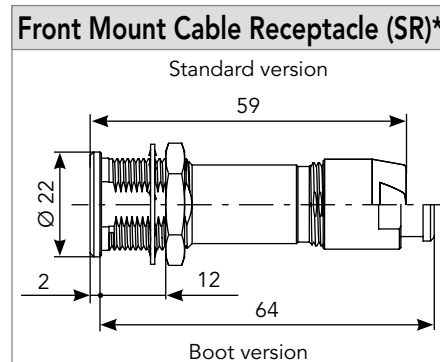
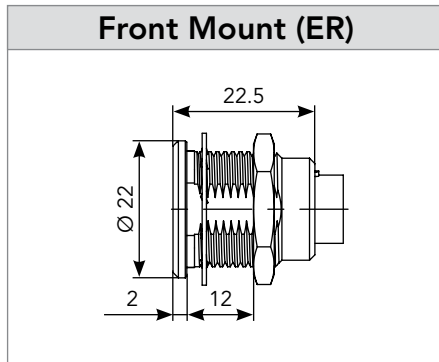
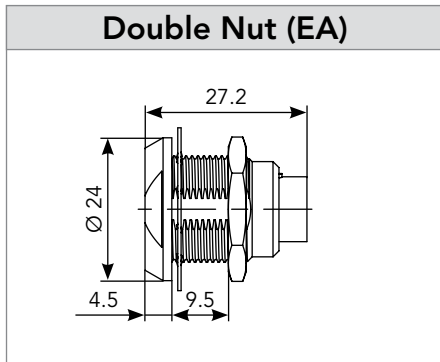
Contact type	Connector type	Description	Part number ⁽¹⁾	
			Male insert	Female insert
Solder contacts see page 183	Receptacle	Double nut (EA)	JBXEA3G10MSSDS	JBXEA3G10FSSDS
		Front mount (ER)	JBXER3G10MSSDSR	JBXER3G10FSSDSR
		Front mount cable (SR) *	JBXSR3G10MSSDSR	JBXSR3G10FSSDSR
	Plug	Straight plug (FD) *	JBXFD3G10MSSDSR	JBXFD3G10FSSDSR
Crimp contacts see page 183	Receptacle	Double nut (EA)	JBXEA3G10MCSDS	JBXEA3G10FCSDS
		Front mount (ER)	JBXER3G10MCSDSR	JBXER3G10FCSDSR
	Plug	Right angle plug (FC) *	JBXFC3G10MCSDSR	JBXFC3G10FCSDSR
		Straight plug (FD) *	JBXFD3G10MCSDSR	JBXFD3G10FCSDSR
Straight PCB contacts see page 183	Receptacle	Double nut (EA)	-	JBXEA3G10FPSDS

* In order to get the back nut for protective boot please add «M» after the last «S». Example: JBX Straight Plug, size 3, 10 solder contacts, male insert = JBXFD3G10MSSDSMR. The protective boot need to be ordered separately, see page accessories.

1: In order to get a black Chrome over Nickel please replace «S» before the «D» by one «N». Example: JBX Straight Plug, size 3, 10 solder contacts, male insert = JBXFD3G10MSNDSR.

JBX3-10 - IP40 (10 x Ø 1.3 mm)

Dimensions (For mated connector lengths see page 183)



Note: all dimensions are in mm

JBX3-10 - IP40 (10 x Ø 1.3 mm)

Accessories

Receptacle Dust Cap




Part number
JBXBR3

Plug Dust Cap




Part number
JBXBF3

Grounding Washer



Part number
JAXRA3252

Insulating Washer



Part number	Color
JBX3RIA	Blue
JBX3RIB	White
JBX3RIG	Grey
JBX3RIJ	Yellow
JBX3RIM	Brown
JBX3RIN	Black
JBX3RIR	Red
JBX3RIV	Green
JBX3RIO	Orange

Note : Insulating washers are not compatible with the IP68 versions

Protective Boot

Available only for FC - FD - SR, with back nut protective boot 



Part number	Color
JBX3MPA	Blue
JBX3MPB	White
JBX3MPG	Grey
JBX3MPJ	Yellow
JBX3MPM	Brown
JBX3MPN	Black
JBX3MPR	Red
JBX3MPV	Green
JBX3MPO	Orange

The overall length is 28.5 mm longer with the protective boot.
Note: The protective boot is not a sealing element.


Tooling

Crimp Tooling



Part number
MIL-22520/7-01

Locator



Part number	
Male	Female
JBX30UTLP13	JBX30UTLS13

Extraction Tool



Part number
JBXOUTDC13

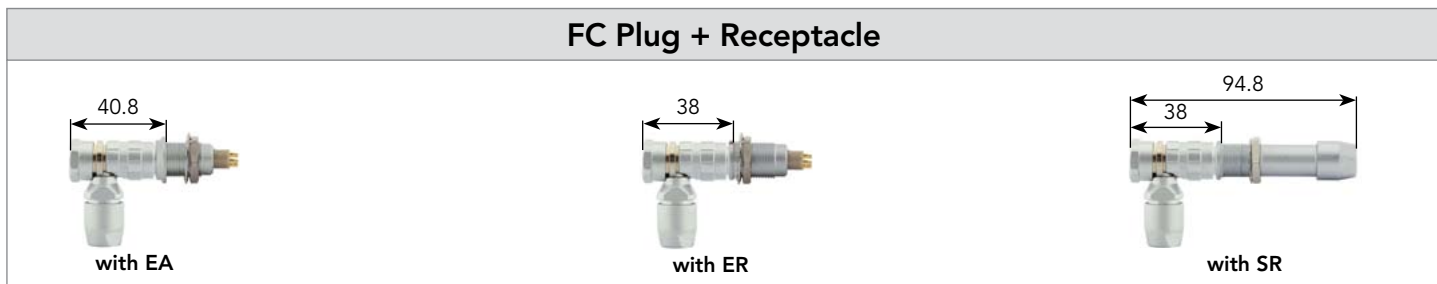
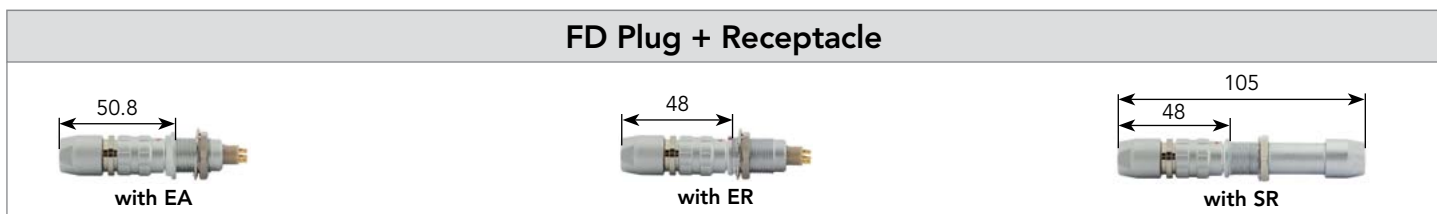
JBX3-10 - IP40 (10 x Ø 1.3 mm)

Contacts

Ø 1.3 mm	Contact type	Plating	Contact locking type	AWG
Solder	Machined	0.5 µm gold over 3 to 5 µm Ni	Removable	20
Crimp	Machined	0.5 µm gold over 3 to 5 µm Ni	Removable	18 - 20 - 22
Straight PCB	Machined	0.5 µm gold over 3 to 5 µm Ni	Fixed	-

For more information see pages 231 to 233

Mated Connector Length

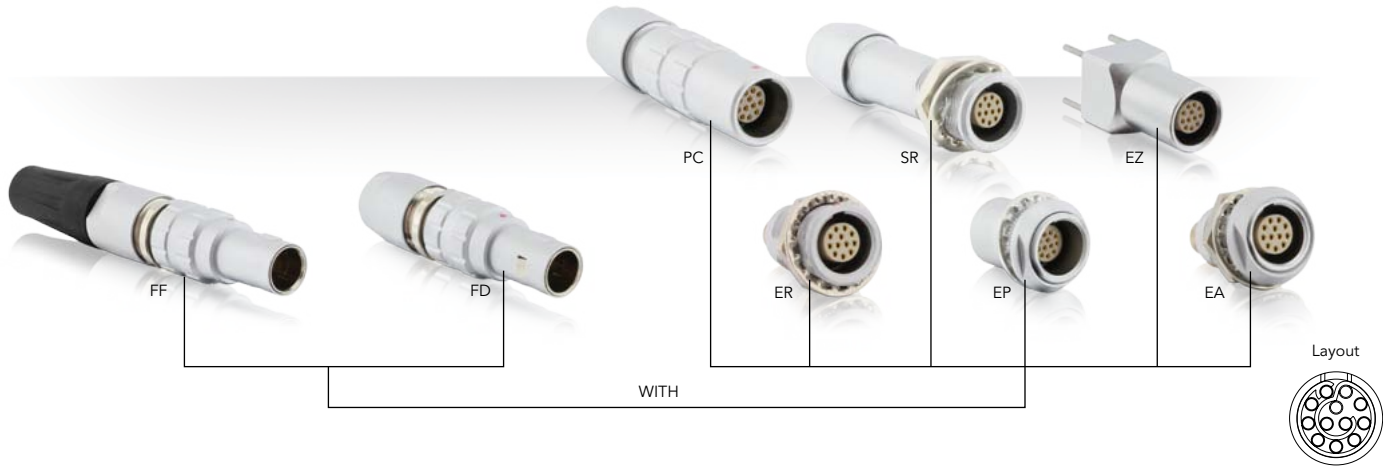


Connector

Electrical Characteristics
<p>UL 12A 600V UL94 V-0</p>

Note: all dimensions are in mm

JBX1-12 - IP40 (12 x Ø 0.5mm)



Connector Part Number

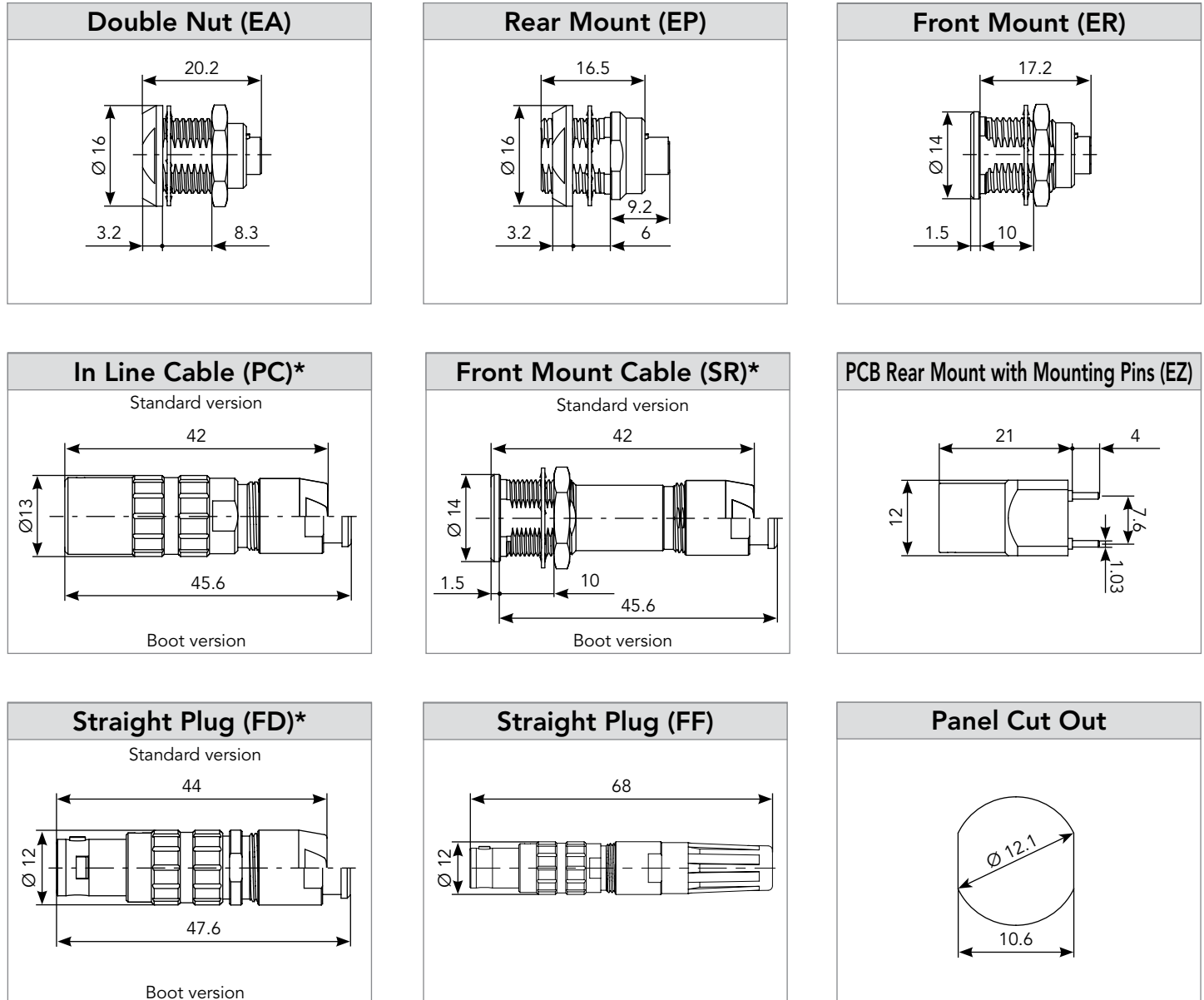
Contact type	Connector type	Description	Part number ⁽¹⁾	
			Male insert	Female insert
Solder contacts see page 187	Receptacle	Double nut (EA)	JBXEA1G12MSSDS	JBXEA1G12FSSDS
		Rear mount (EP)	JBXEP1G12MSSDS	JBXEP1G12FSSDS
		Front mount (ER)	JBXER1G12MSSDSR	JBXER1G12FSSDSR
		In line cable (PC) *	JBXPC1G12MSSDSR	JBXPC1G12FSSDSR
	Front mount cable (SR) *	JBXSR1G12MSSDSR	JBXSR1G12FSSDSR	
	Plug	Straight plug (FD) *	JBXFD1G12MSSDSR	JBXFD1G12FSSDSR
Straight plug no latch (FF) with black protective boot		JBXFF1G12MSSDSR	JBXFF1G12FSSDSR	
Straight PCB contacts see page 187	Receptacle	Double nut (EA)	-	JBXEA1G12FPSDS
		Front mount (ER)	-	JBXER1G12FPSDSR
		PCB rear mount with mounting pins (EZ)	-	JBXEZ1G12FPSDSR

* In order to get the back nut for protective boot please add «M» after the last «S». Example: JBX Straight Plug, size 1, 12 solder contacts, male insert = JBXFD1G12MSSDSMR. : First choice
The protective boot need to be ordered separately, see page accessories.

(1): In order to get a black Chrome over Nickel please replace «S» before the «D» by one «N». Example: JBX Straight Plug, size 1, 12 solder contacts, male insert = JBXFD1G12MSNDSR.

JBX1-12 - IP40 (12 x Ø 0.5mm)

Dimensions (For mated connector lengths see page 187)



Connector

Note: all dimensions are in mm

JBX1-12 - IP40 (12 x Ø 0.5mm)

Receptacle Dust Cap




Part number
JBXBR1

Plug Dust Cap




Part number
JBXBF1

Grounding Washer



Part number
JAXRA1251


Insulating Washer




Part number	Color
JBX1RIA	Blue
JBX1RIB	White
JBX1RIG	Grey
JBX1RIJ	Yellow
JBX1RIM	Brown
JBX1RIN	Black
JBX1RIR	Red
JBX1RIV	Green
JBX1RIO	Orange

Note : Insulating washers are not compatible with the IP68 versions

Protective Boot

Available only for PC - FC - FD - SR, with back nut protective boot 



Part number	Color
JBX1MPA	Blue
JBX1MPB	White
JBX1MPG	Grey
JBX1MPJ	Yellow
JBX1MPM	Brown
JBX1MPN	Black
JBX1MPR	Red
JBX1MPV	Green
JBX1MPO	Orange

The overall length is 21 mm longer with the protective boot.
Note: The protective boot is not a sealing element.

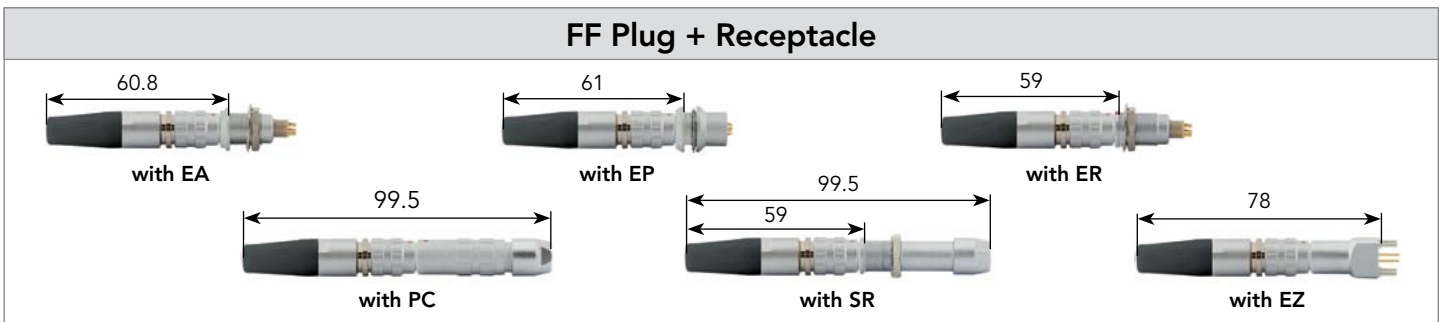
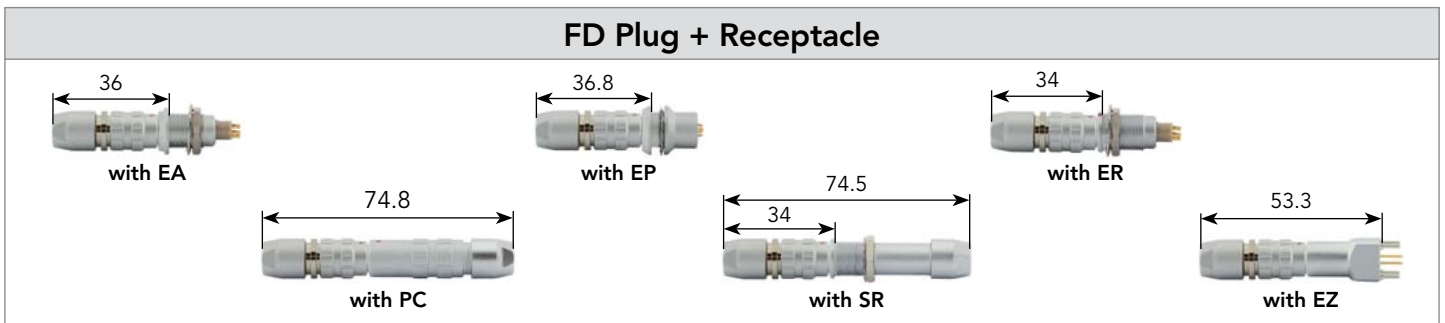
JBX1-12 - IP40 (12 x Ø 0.5mm)

Contacts

Ø 0.5 mm	Contact type	Plating	Contact locking type	AWG - Wire max.
Solder	Machined	0.5 µm gold over 3 to 5 µm Ni	Fixed	28
Straight PCB	Machined	0.5 µm gold over 3 to 5 µm Ni	Fixed	-

For more information see pages 231 and 233

Mated Connector Length

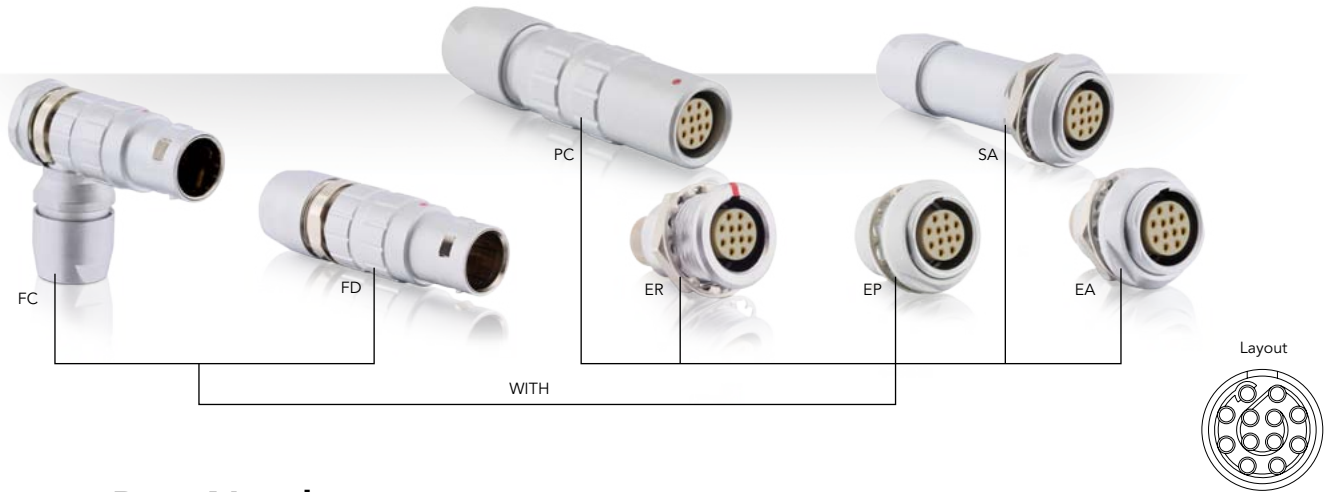


Electrical Characteristics

UL
2.5A 170V UL94 V-0

Note: all dimensions are in mm

JBX2-12 - IP40 (12 x Ø 0.7 mm) - See waterproof IP68 version page 190



Connector Part Number

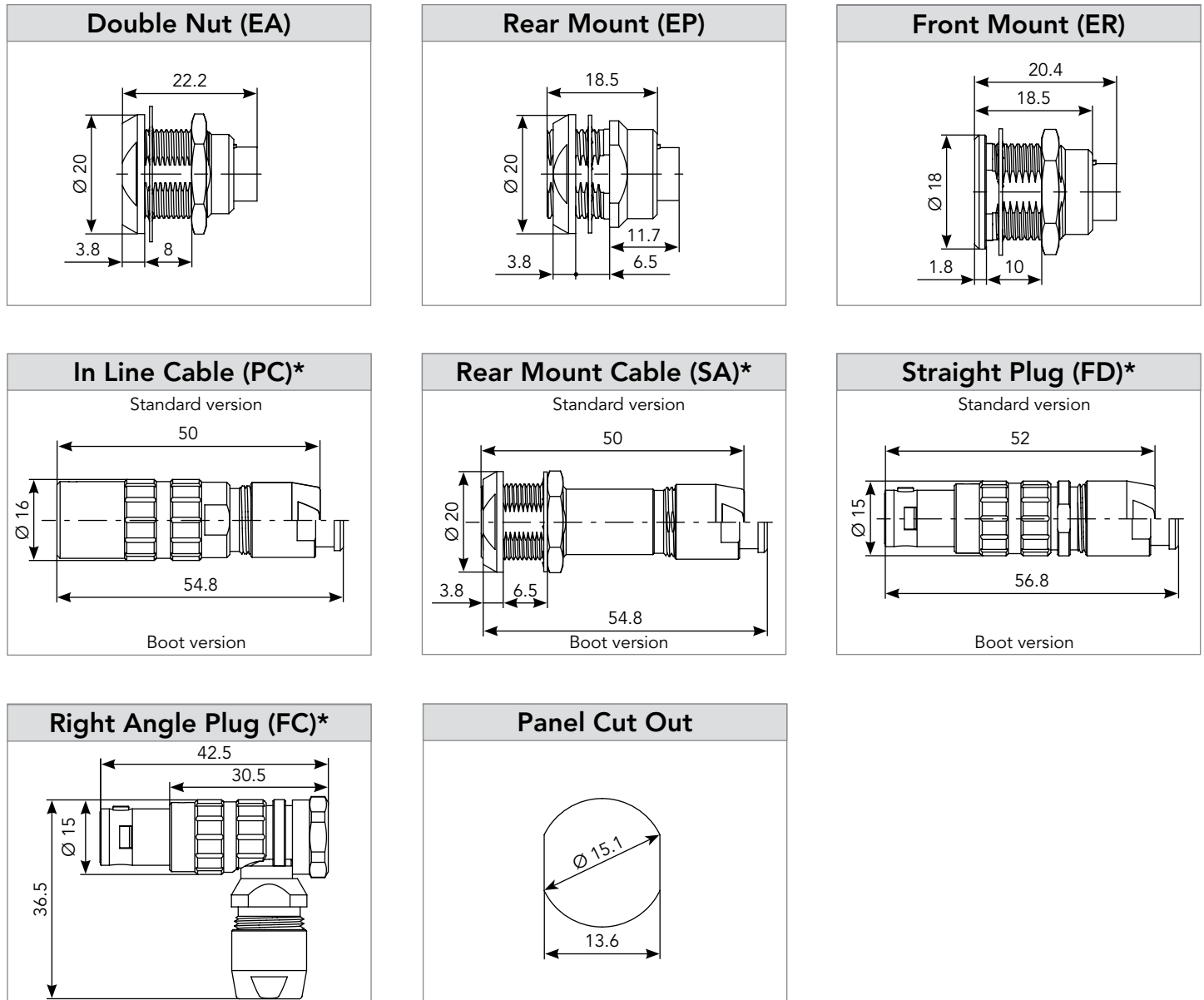
Contact type	Connector type	Description	Part number ⁽¹⁾	
			Male insert	Female insert
Solder contacts see page 193	Receptacle	Double nut (EA)	JBXEA2G12MSSDS	JBXEA2G12FSSDS
		Rear mount (EP)	JBXEP2G12MSSDS	JBXEP2G12FSSDS
		Front mount (ER)	JBXER2G12MSSDSR	JBXER2G12FSSDSR
		In line cable (PC) *	JBXPC2G12MSSDSR	JBXPC2G12FSSDSR
	Plug	Straight plug (FD) *	JBXFD2G12MSSDSR	JBXFD2G12FSSDSR
Crimp contacts see page 193	Receptacle	Double nut (EA)	JBXEA2G12MCSDS	JBXEA2G12FCSDS
		Rear mount (EP)	JBXEP2G12MCSDS	JBXEP2G12FCSDS
		Front mount (ER)	JBXER2G12MCSDSR	JBXER2G12FCSDSR
		In line cable (PC) *	JBXPC2G12MCSDSR	JBXPC2G12FCSDSR
		Rear mount cable (SA) *	JBXSA2G12MCSDS	JBXSA2G12FCSDS
	Plug	Right angle plug (FC) *	JBXFC2G12MCSDSR	JBXFC2G12FCSDSR
		Straight plug (FD) *	JBXFD2G12MCSDSR	JBXFD2G12FCSDSR
Straight PCB contacts see page 193	Receptacle	Double nut (EA)	JBXEA2G12MPSDS	JBXEA2G12FPSDS
		Rear mount (EP)	JBXEP2G12MPSDS	JBXEP2G12FPSDS
		Front mount (ER)	JBXER2G12MPSDSR	JBXER2G12FPSDSR
90° PCB contacts see page 193	Receptacle	Double nut (EA)	-	JBXEA2G12FQSDS
		Rear mount (EP)	-	JBXEP2G12FQSDS

* In order to get the back nut for protective boot please add «M» after the last «S». Example: JBX Straight Plug, size 2, 12 solder contacts, male insert = JBXFD2G12MSSDSMR. : First choice
The protective boot need to be ordered separately, see page accessories.

(1): In order to get a black Chrome over Nickel please replace «S» before the «D» by one «N». Example: JBX Straight Plug, size 2, 12 solder contacts, male insert = JBXFD2G12MSNDSR.

JBX2-12 - IP40 (12 x Ø 0.7 mm) - See waterproof IP68 version page 190

Dimensions (For mated connector lengths see page 193)



Note: all dimensions are in mm

JBX2-12 - IP68 (12 x Ø 0.7 mm) - See non sealed IP40 version page 188



Connector Part Number

Contact type	Connector type	Description	Part number ⁽¹⁾	
			Male insert	Female insert
Solder contacts see page 193	Receptacle	Double nut, front or rear mount (EC)	JBXEC2G12MSSDS	JBXEC2G12FSSDS
		Front mount extended (HH) ☁	JBXHH2G12MSSDSR	JBXHH2G12FSSDSR
	Plug	Straight plug (FH) *	JBXFH2G12MSSDSR	JBXFH2G12FSSDSR
Crimp contacts see page 193	Receptacle	Double nut, front or rear mount (EC)	JBXEC2G12MCSDS	JBXEC2G12FCSDS
		Front mount extended (HH)	JBXHH2G12MCSDSR	JBXHH2G12FCSDSR
	Plug	Straight plug (FH) *	JBXFH2G12MCSDSR	JBXFH2G12FCSDSR
Straight PCB contacts see page 193	Receptacle	Double nut, front or rear mount (EC)	JBXEC2G12MPSDS	JBXEC2G12FPSDS

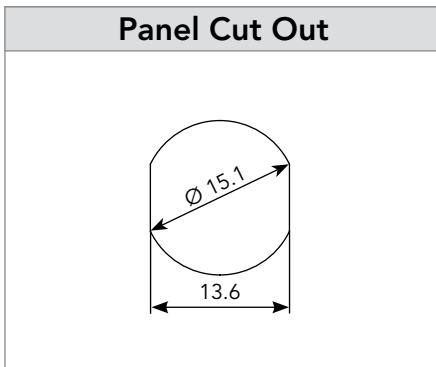
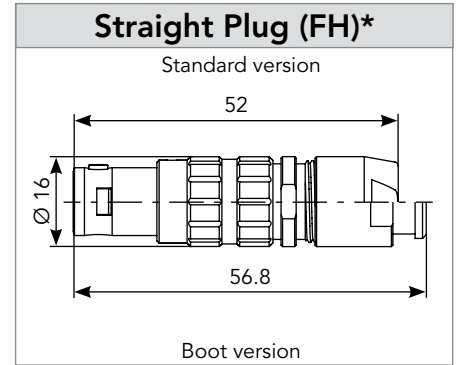
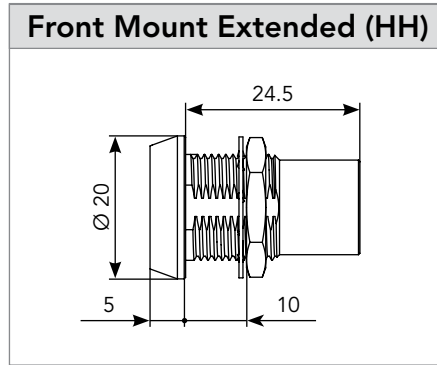
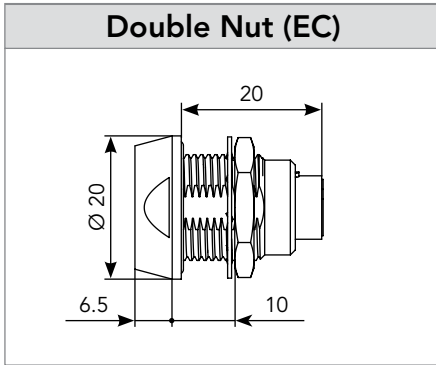
* In order to get the back nut for protective boot please add «M» after the last «S». Example: JBX Straight Plug, size 2, 12 solder contacts, male insert = JBXFH2G12MSSDSMR. The protective boot need to be ordered separately, see page accessories.

1: In order to get a black Chrome over Nickel please replace «S» before the «D» by one «N». Example: JBX Straight Plug, size 2, 12 solder contacts, male insert = JBXFH2G12MSNDSR.

☁ : Sealed in Unmated Condition

JBX2-12 - IP68 (12 x Ø 0.7 mm) - See non sealed IP40 version page 188

Dimensions (For mated connector lengths see page 193)



Note: all dimensions are in mm

JBX2-12 - IP40 & IP68 (12 x Ø 0.7 mm)

Accessories

Receptacle Dust Cap




Part number
JBXBR2

Plug Dust Cap




Part number
JBXBF2

Grounding Washer



Part number
JAXRA2252

Insulating Washer



Part number	Color
JBX2RIA	Blue
JBX2RIB	White
JBX2RIG	Grey
JBX2RIJ	Yellow
JBX2RIM	Brown
JBX2RIN	Black
JBX2RIR	Red
JBX2RIV	Green
JBX2RIO	Orange

Note : Insulating washers are not compatible with the IP68 versions

Protective Boot

Available only for PC - FC - FD - SA, FH, with back nut protective boot 



Part number	Color
JBX2MPA	Blue
JBX2MPB	White
JBX2MPG	Grey
JBX2MPJ	Yellow
JBX2MPM	Brown
JBX2MPN	Black
JBX2MPR	Red
JBX2MPV	Green
JBX2MPO	Orange

The overall length is 25 mm longer with the protective boot.
Note: The protective boot is not a sealing element.


Tooling

Crimp Tooling



Part number
MIL-22520/7-01

Locator



Part number	
Male	Female
JBX20UTLP07	JBX20UTLS07

Extraction Tool



Part number
JBXOUTDC07

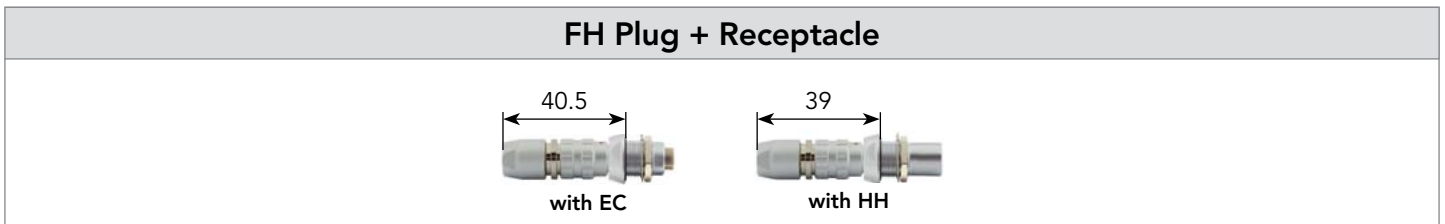
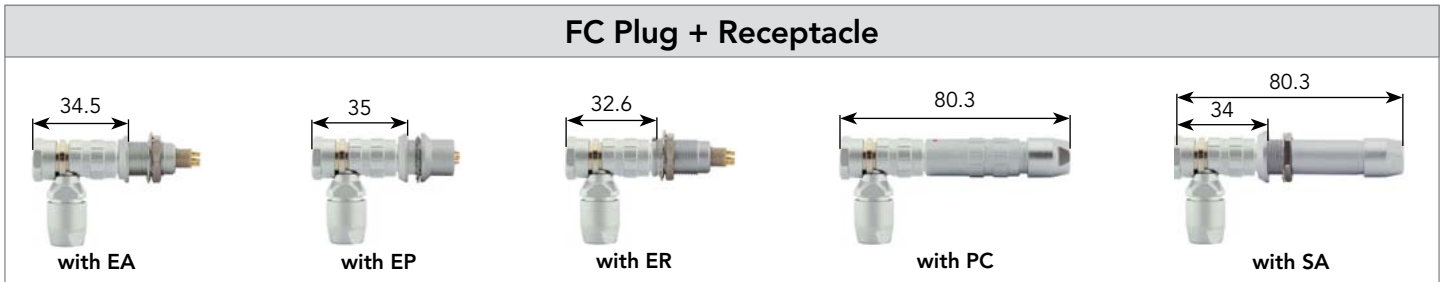
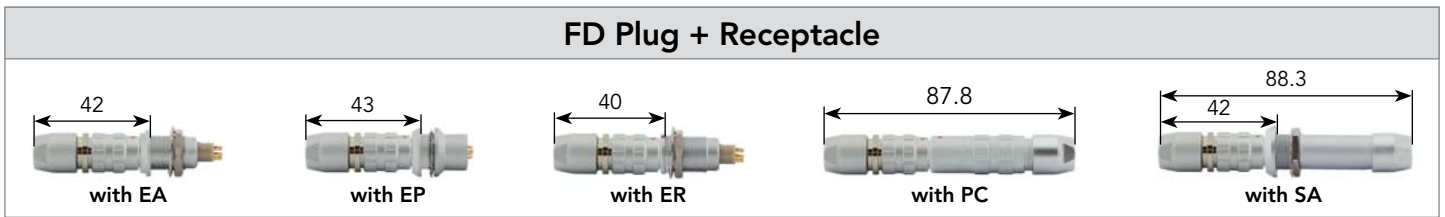
JBX2-12 - IP40 & IP68 (12 x Ø 0.7 mm)

Contacts

Ø 0.7 mm	Contact type	Plating	Contact locking type	AWG
Solder	Machined	0.5 µm gold over 3 to 5 µm Ni	Fixed	22
Crimp	Machined	0.5 µm gold over 3 to 5 µm Ni	Removable	22 - 24 - 26
Straight PCB	Machined	0.5 µm gold over 3 to 5 µm Ni	Fixed	-
90° PCB	Machined	0.5 µm gold over 3 to 5 µm Ni	Removable	-

For more information see pages 231 to 234

Mated Connector Length



Electrical Characteristics
<p>UL 7A 830V UL94 V-0</p>

Note: all dimensions are in mm

JBX3-14 - IP40 (14 x Ø 0.9 mm)



Connector Part Number

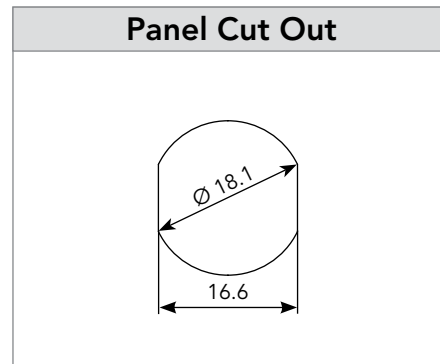
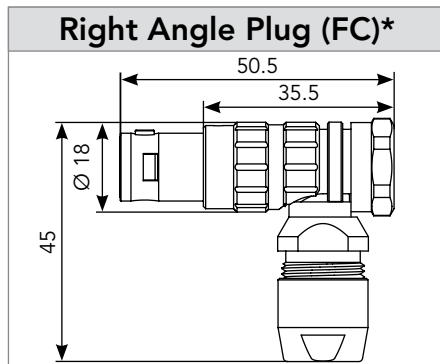
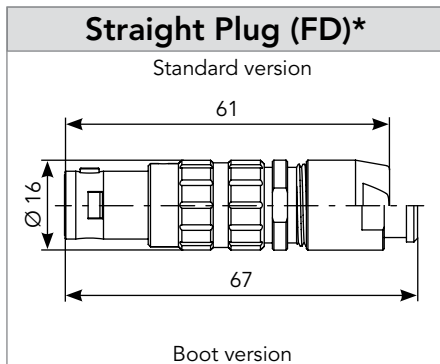
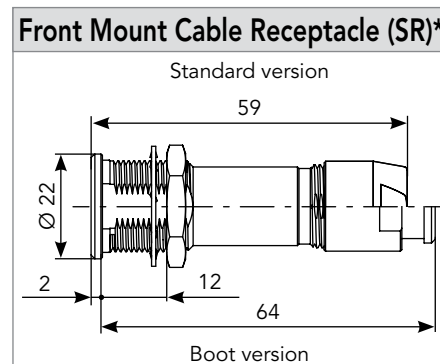
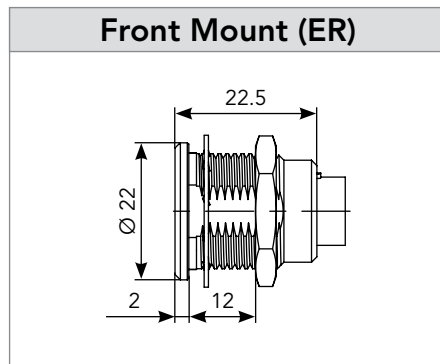
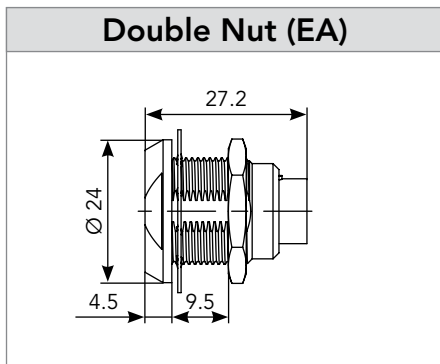
Contact type	Connector type	Description	Part number ⁽¹⁾	
			Male insert	Female insert
Solder contacts see page 197	Receptacle	Double nut (EA)	JBXEA3G14MSSDS	JBXEA3G14FSSDS
		Front mount (ER)	JBXER3G14MSSDSR	JBXER3G14FSSDSR
		Front mount cable (SR) *	JBXSR3G14MSSDSR	JBXSR3G14FSSDSR
Crimp contacts see page 197	Receptacle	Double nut (EA)	JBXEA3G14MCSDS	JBXEA3G14FCSDS
		Front mount (ER)	JBXER3G14MCSDSR	JBXER3G14FCSDSR
	Plug	Right angle plug (FC) *	JBXFC3G14MCSDSR	JBXFC3G14FCSDSR
Straight PCB contacts see page 197	Receptacle	Straight plug (FD) *	JBXFD3G14MCSDSR	JBXFD3G14FCSDSR
		Double nut (EA)	-	JBXEA3G14FPSDS

* In order to get the back nut for protective boot please add «M» after the last «S». Example: JBX Straight Plug, size 3, 14 solder contacts, male insert = JBXFD3G14MSSDSMR. ■ : First choice
The protective boot need to be ordered separately, see page accessories.

1: In order to get a black Chrome over Nickel please replace «S» before the «D» by one «N». Example: JBX Straight Plug, size 3, 14 solder contacts, male insert = JBXFD3G14MSNDSR.

JBX3-14 - IP40 (14 x Ø 0.9 mm)

Dimensions (For mated connector lengths see page 197)



JBX3-14 - IP40 (10 x Ø 0.9 mm)

Accessories

Receptacle Dust Cap




Part number
JBXBR3

Plug Dust Cap




Part number
JBXBF3

Grounding Washer



Part number
JAXRA3252

Insulating Washer



Part number	Color
JBX3RIA	Blue
JBX3RIB	White
JBX3RIG	Grey
JBX3RIJ	Yellow
JBX3RIM	Brown
JBX3RIN	Black
JBX3RIR	Red
JBX3RIV	Green
JBX3RIO	Orange

Note : Insulating washers are not compatible with the IP68 versions

Protective Boot

Available only for FC - FD - SR, with back nut protective boot 



Part number	Color
JBX3MPA	Blue
JBX3MPB	White
JBX3MPG	Grey
JBX3MPJ	Yellow
JBX3MPM	Brown
JBX3MPN	Black
JBX3MPR	Red
JBX3MPV	Green
JBX3MPO	Orange

The overall length is 28.5 mm longer with the protective boot.
Note: The protective boot is not a sealing element.


Tooling

Crimp Tooling



Part number
MIL-22520/7-01

Locator



Part number	
Male	Female
JBX3OUTLP09	JBX3OUTLS09

Extraction Tool



Part number
JBXOUTDC09

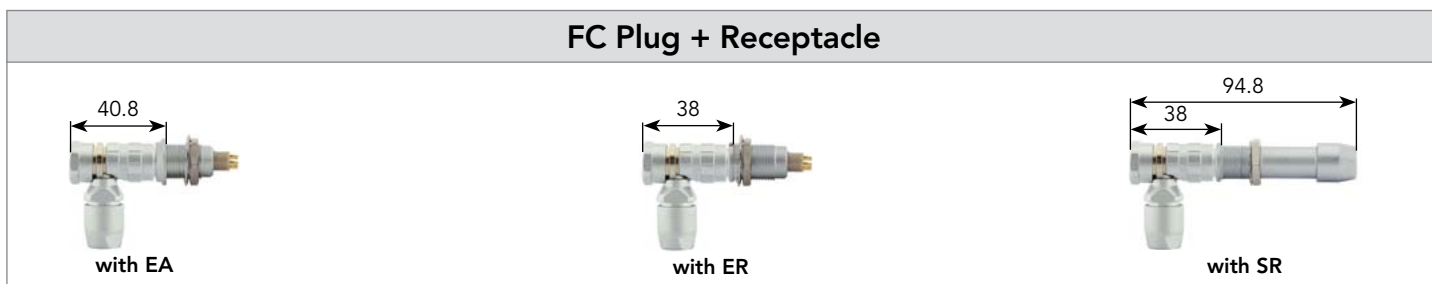
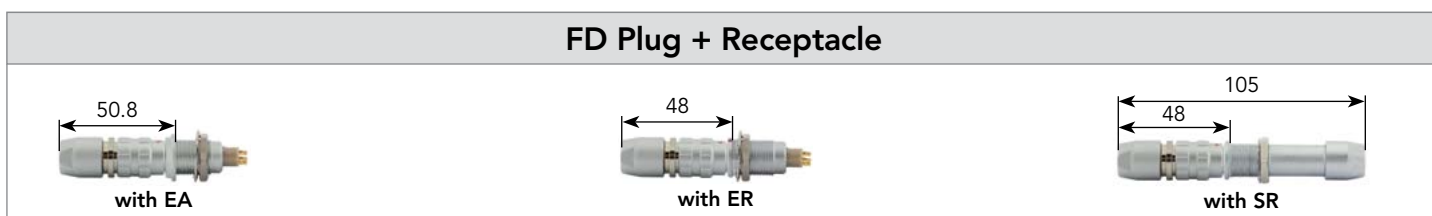
JBX3-14 - IP40 (10 x Ø 0.9 mm)

Contacts

Ø 0.9 mm	Contact type	Plating	Contact locking type	AWG
Solder	Machined	0.5 µm gold over 3 to 5 µm Ni	Removable	24
Crimp	Machined	0.5 µm gold over 3 to 5 µm Ni	Removable	20 - 22 - 24
Straight PCB	Machined	0.5 µm gold over 3 to 5 µm Ni	Fixed	-

For more information see pages 231 to 233

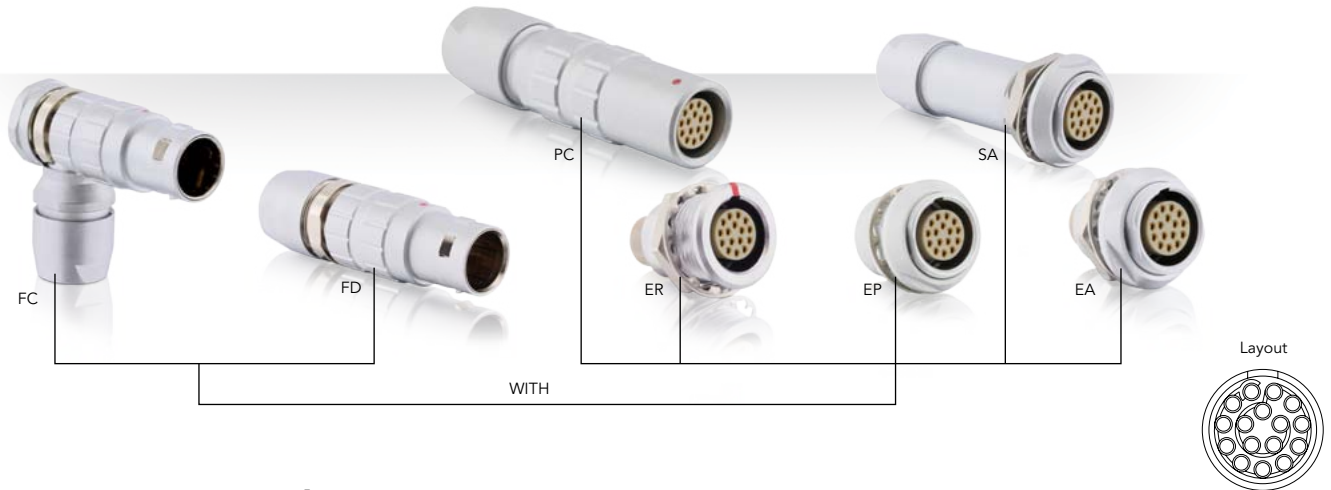
Mated Connector Length



Electrical Characteristics
<p>UL 9A 830V UL94 V-0</p>

Note: all dimensions are in mm

JBX2-16 - IP40 (16 x Ø 0.7 mm) - See waterproof IP68 version page 200



Connector Part Number

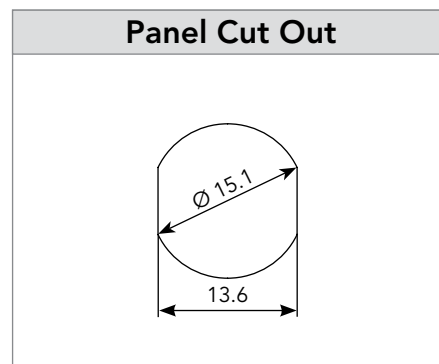
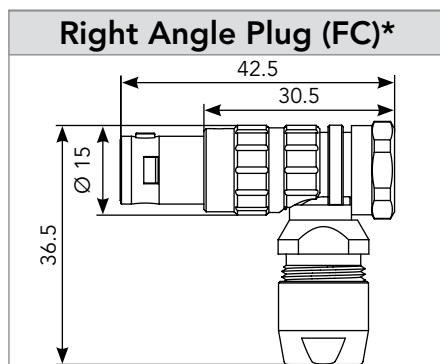
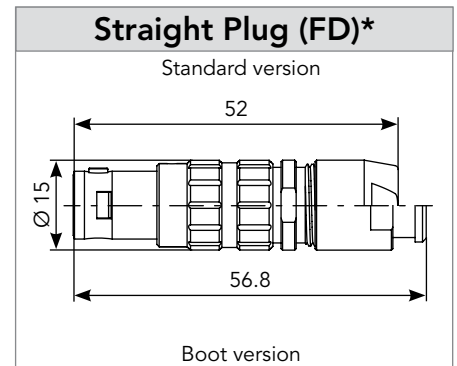
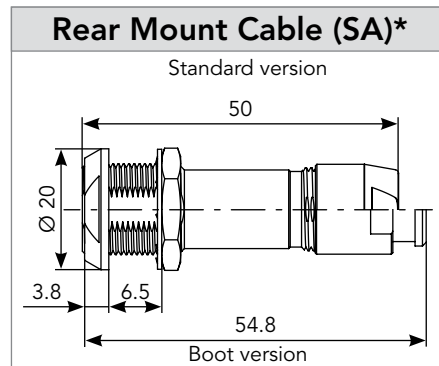
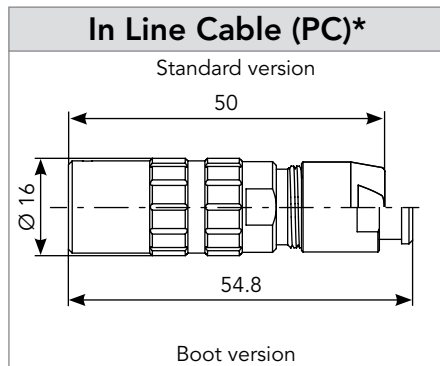
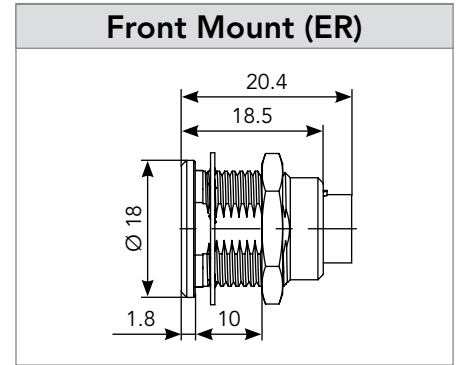
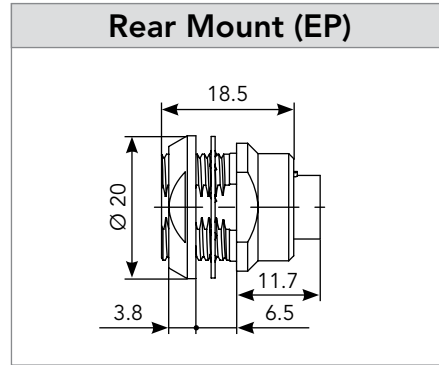
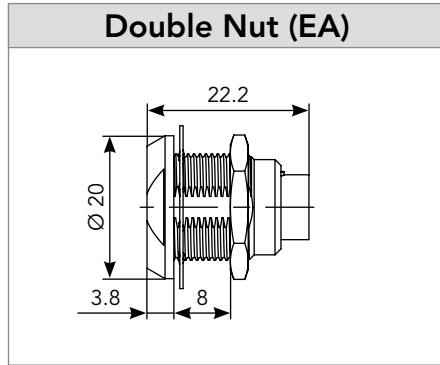
Contact type	Connector type	Description	Part number ⁽¹⁾	
			Male insert	Female insert
Solder contacts see page 203	Receptacle	Double nut (EA)	JBXEA2G16MSSDS	JBXEA2G16FSSDS
		Rear mount (EP)	JBXEP2G16MSSDS	JBXEP2G16FSSDS
		Front mount (ER)	JBXER2G16MSSDSR	JBXER2G16FSSDSR
		In line cable (PC) *	JBXPC2G16MSSDSR	JBXPC2G16FSSDSR
	Plug	Straight plug (FD) *	JBXFD2G16MSSDSR	JBXFD2G16FSSDSR
Crimp contacts see page 203	Receptacle	Double nut (EA)	JBXEA2G16MCSDS	JBXEA2G16FCSDS
		Rear mount (EP)	JBXEP2G16MCSDS	JBXEP2G16FCSDS
		Front mount (ER)	JBXER2G16MCSDSR	JBXER2G16FCSDSR
		In line cable (PC) *	JBXPC2G16MCSDSR	JBXPC2G16FCSDSR
		Rear mount cable (SA) *	JBXSA2G16MCSDS	JBXSA2G16FCSDS
	Plug	Right angle plug (FC) *	JBXFC2G16MCSDSR	JBXFC2G16FCSDSR
		Straight plug (FD) *	JBXFD2G16MCSDSR	JBXFD2G16FCSDSR
Straight PCB contacts see page 203	Receptacle	Double nut (EA)	JBXEA2G16MPSDS	JBXEA2G16FPSDS
		Rear mount (EP)	JBXEP2G16MPSDS	JBXEP2G16FPSDS
		Front mount (ER)	JBXER2G16MPSDSR	JBXER2G16FPSDSR
90° PCB contacts see page 203	Receptacle	Double nut (EA)	-	JBXEA2G16FQSDS
		Rear mount (EP)	-	JBXEP2G16FQSDS

* In order to get the back nut for protective boot please add «M» after the last «S». Example: JBX Straight Plug, size 2, 16 solder contacts, male insert = JBXFD2G16MSSDSMR. : First choice
The protective boot need to be ordered separately, see page accessories.

(1): In order to get a black Chrome over Nickel please replace «S» before the «D» by one «N». Example: JBX Straight Plug, size 2, 16 solder contacts, male insert = JBXFD2G16MSNDSR.

JBX2-16 - IP40 (16 x Ø 0.7 mm) - See waterproof IP68 version page 200

Dimensions (For mated connector lengths see page 203)



Connector

Note: all dimensions are in mm

JBX2-16 - IP68 (16 x Ø 0.7 mm) - See non sealed IP40 version page 198



Connector Part Number

Contact type	Connector type	Description	Part number ⁽¹⁾	
			Male insert	Female insert
Solder contacts see page 203	Receptacle	Double nut, front or rear mount (EC)	JBXEC2G16MSSDS	JBXEC2G16FSSDS
		Front mount extended (HH) ☁	JBXHH2G16MSSDSR	JBXHH2G16FSSDSR
	Plug	Straight plug (FH) *	JBXFH2G16MSSDSR	JBXFH2G16FSSDSR
Crimp contacts see page 203	Receptacle	Double nut, front or rear mount (EC)	JBXEC2G16MCSDS	JBXEC2G16FCSDS
		Front mount extended (HH)	JBXHH2G16MCSDSR	JBXHH2G16FCSDSR
	Plug	Straight plug (FH) *	JBXFH2G16MCSDSR	JBXFH2G16FCSDSR
Straight PCB contacts see page 203	Receptacle	Double nut, front or rear mount (EC)	JBXEC2G16MPSDS	JBXEC2G16FPSDS

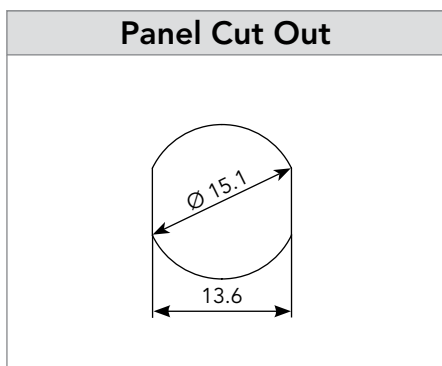
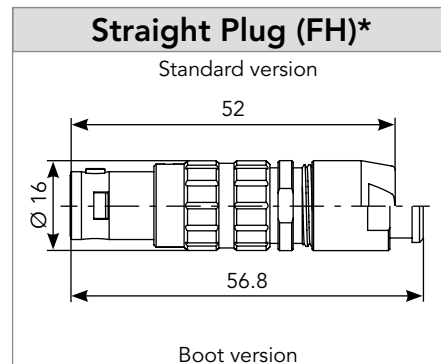
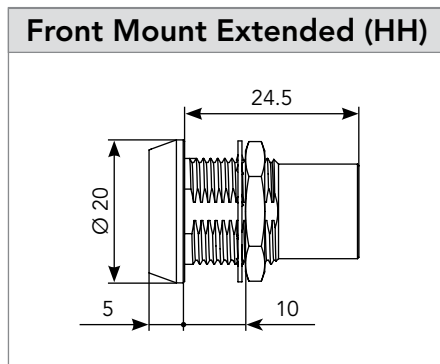
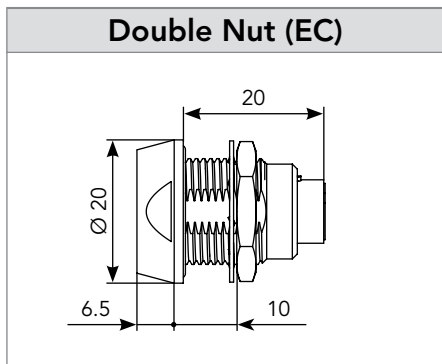
* In order to get the back nut for protective boot please add «M» after the last «S». Example: JBX Straight Plug, size 2, 16 solder contacts, male insert = JBXFH2G16MSSDSMR. ☐ : First choice
 The protective boot need to be ordered separately, see page accessories.

1: In order to get a black Chrome over Nickel please replace «S» before the «D» by one «N». Example: JBX Straight Plug, size 2, 16 solder contacts, male insert = JBXFH2G16MSNDSR.

☁ : Sealed in Unmated Condition

JBX2-16 - IP68 (16 x Ø 0.7 mm) - See non sealed IP40 version page 198

Dimensions (For mated connector lengths see page 203)



Note: all dimensions are in mm

JBX2-16 - IP40 & IP68 (16 x Ø 0.7 mm)

Accessories

Receptacle Dust Cap




Part number
JBXBR2

Plug Dust Cap




Part number
JBXBF2

Grounding Washer



Part number
JAXRA2252

Insulating Washer



Part number	Color
JBX2RIA	Blue
JBX2RIB	White
JBX2RIG	Grey
JBX2RIJ	Yellow
JBX2RIM	Brown
JBX2RIN	Black
JBX2RIR	Red
JBX2RIV	Green
JBX2RIO	Orange

Note : Insulating washers are not compatible with the IP68 versions

Protective Boot

Available only for PC - FC - FD - SA, FH, with back nut protective boot 



Part number	Color
JBX2MPA	Blue
JBX2MPB	White
JBX2MPG	Grey
JBX2MPJ	Yellow
JBX2MPM	Brown
JBX2MPN	Black
JBX2MPR	Red
JBX2MPV	Green
JBX2MPO	Orange

The overall length is 25 mm longer with the protective boot.
Note: The protective boot is not a sealing element.


Tooling

Crimp Tooling



Part number
MIL-22520/7-01

Locator



Part number	
Male	Female
JBX20UTLP07	JBX20UTLS07

Extraction Tool



Part number
JBXOUTDC07

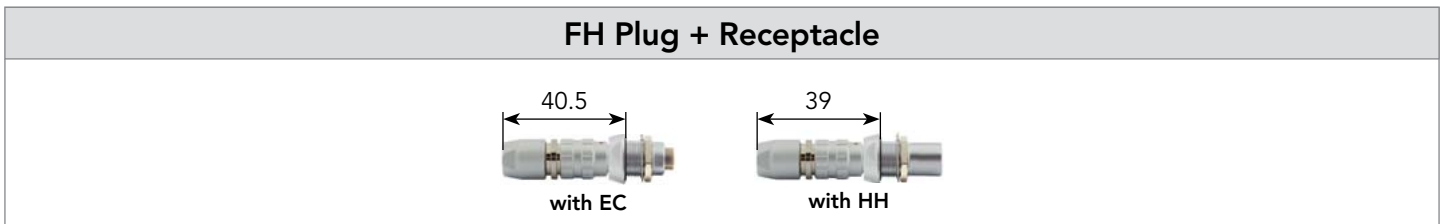
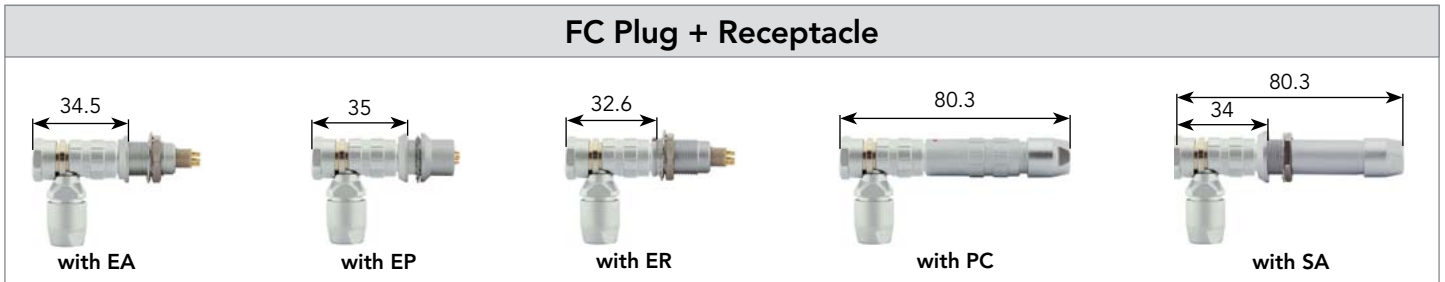
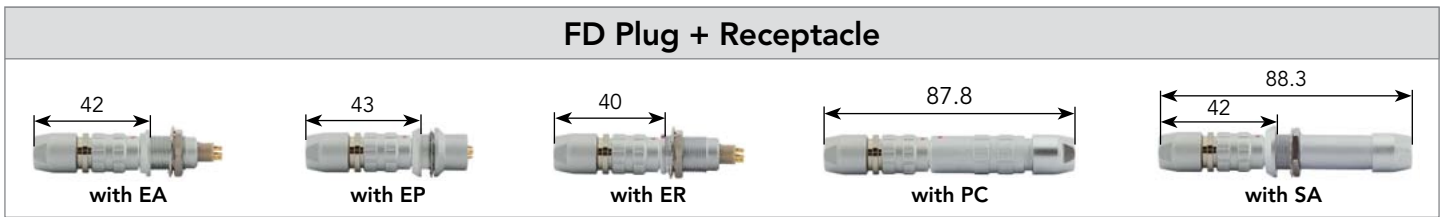
JBX2-16 - IP40 & IP68 (16 x Ø 0.7 mm)

Contacts

Ø 0.7 mm	Contact type	Plating	Contact locking type	AWG
Solder	Machined	0.5 µm gold over 3 to 5 µm Ni	Fixed	22
Crimp	Machined	0.5 µm gold over 3 to 5 µm Ni	Removable	22 - 24 - 26
Straight PCB	Machined	0.5 µm gold over 3 to 5 µm Ni	Fixed	-
90° PCB	Machined	0.5 µm gold over 3 to 5 µm Ni	Removable	-

For more information see pages 231 to 234

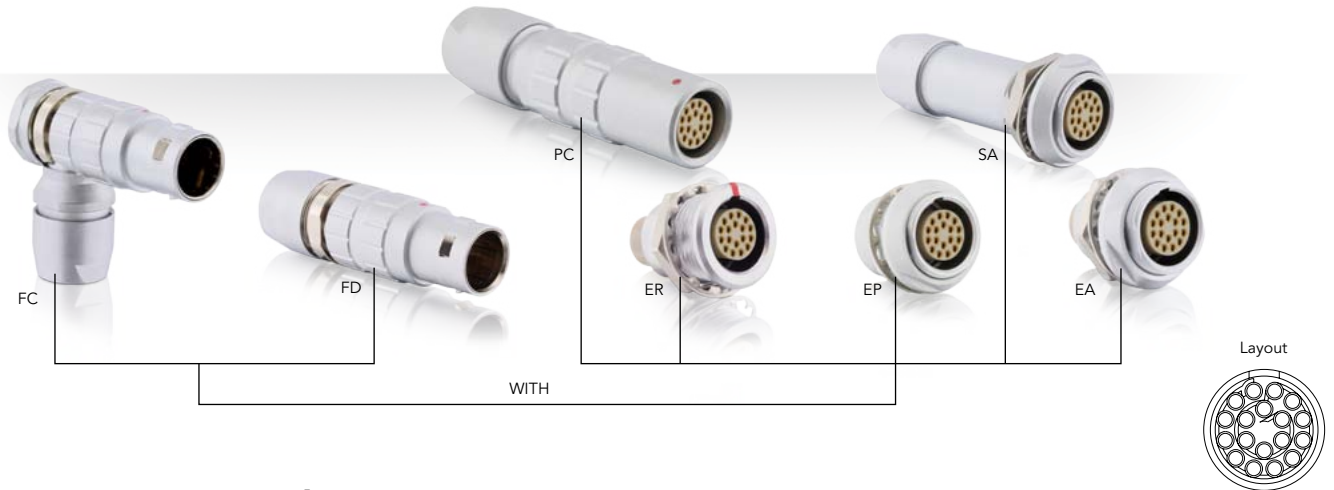
Mated Connector Length



Electrical Characteristics
<p>UL 6A 730V UL94 V-0</p>

Note: all dimensions are in mm

JBX2-18 - IP40 (18 x Ø 0.7 mm) - See waterproof IP68 version page 206



Connector Part Number

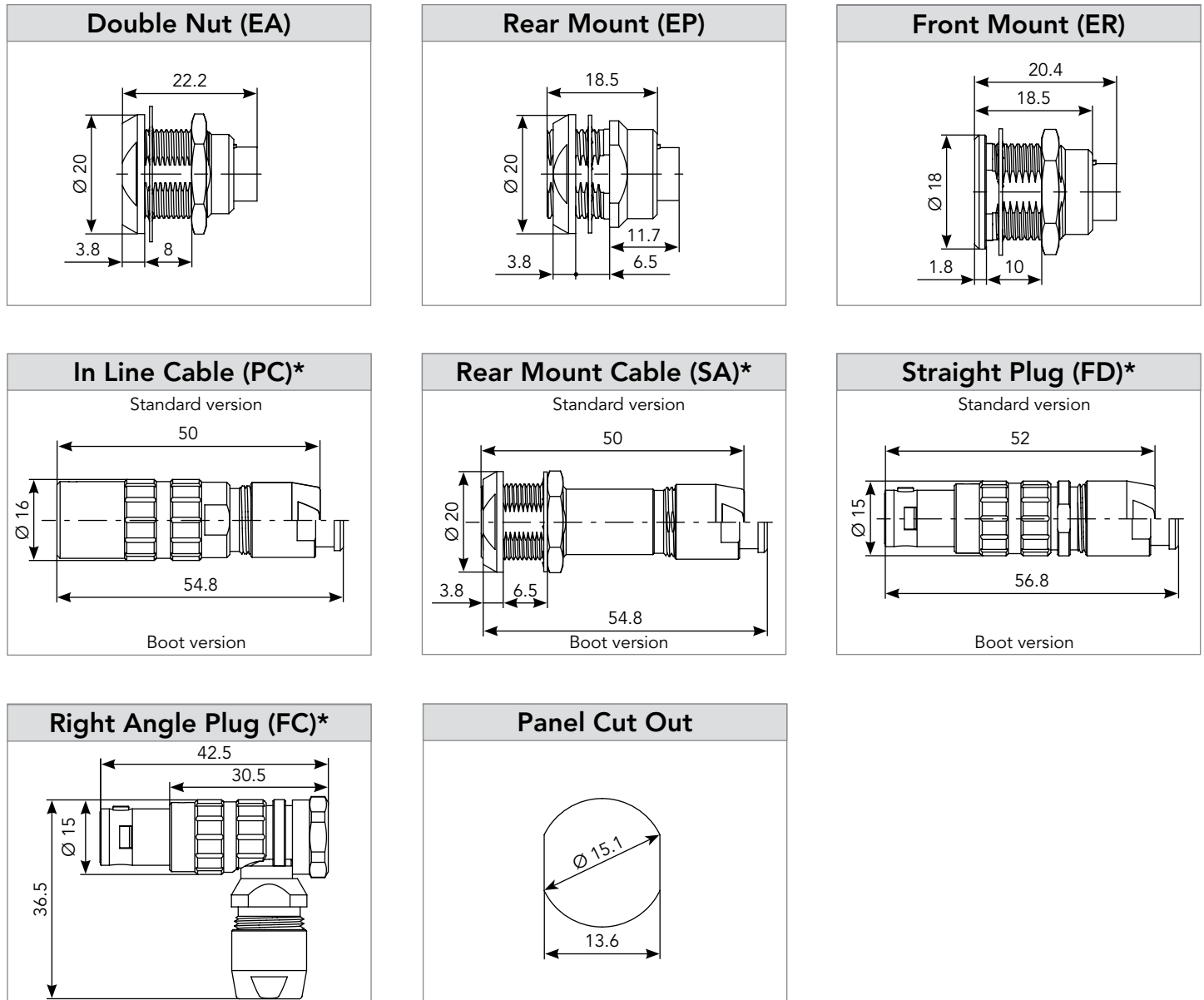
Contact type	Connector type	Description	Part number ⁽¹⁾	
			Male insert	Female insert
Solder contacts see page 209	Receptacle	Double nut (EA)	JBXEA2G18MSSDS	JBXEA2G18FSSDS
		Rear mount (EP)	JBXEP2G18MSSDS	JBXEP2G18FSSDS
		Front mount (ER)	JBXER2G18MSSDSR	JBXER2G18FSSDSR
		In line cable (PC) *	JBXPC2G18MSSDSR	JBXPC2G18FSSDSR
	Plug	Straight plug (FD) *	JBXFD2G18MSSDSR	JBXFD2G18FSSDSR
Crimp contacts see page 209	Receptacle	Double nut (EA)	JBXEA2G18MCSDS	JBXEA2G18FCSDS
		Rear mount (EP)	JBXEP2G18MCSDS	JBXEP2G18FCSDS
		Front mount (ER)	JBXER2G18MCSDSR	JBXER2G18FCSDSR
		In line cable (PC) *	JBXPC2G18MCSDSR	JBXPC2G18FCSDSR
		Rear mount cable (SA) *	JBXSA2G18MCSDS	JBXSA2G18FCSDS
	Plug	Right angle plug (FC) *	JBXFC2G18MCSDSR	JBXFC2G18FCSDSR
		Straight plug (FD) *	JBXFD2G18MCSDSR	JBXFD2G18FCSDSR
Straight PCB contacts see page 209	Receptacle	Double nut (EA)	JBXEA2G18MPSDS	JBXEA2G18FPSDS
		Rear mount (EP)	JBXEP2G18MPSDS	JBXEP2G18FPSDS
		Front mount (ER)	JBXER2G18MPSDSR	JBXER2G18FPSDSR

* In order to get the back nut for protective boot please add «M» after the last «S». Example: JBX Straight Plug, size 2, 18 solder contacts, male insert = JBXFD2G18MSSDSMR. : First choice
The protective boot need to be ordered separately, see page accessories.

(1): In order to get a black Chrome over Nickel please replace «S» before the «D» by one «N». Example: JBX Straight Plug, size 2, 18 solder contacts, male insert = JBXFD2G18MSNDSR.

JBX2-18 - IP40 (18 x Ø 0.7 mm) - See waterproof IP68 version page 206

Dimensions (For mated connector lengths see page 209)



Connector

Note: all dimensions are in mm

JBX2-18 - IP68 (18 x Ø 0.7 mm) - See non sealed IP40 version page 204



Connector Part Number

Contact type	Connector type	Description	Part number ⁽¹⁾	
			Male insert	Female insert
Solder contacts see page 209	Receptacle	Double nut, front or rear mount (EC)	JBXEC2G18MSSDS	JBXEC2G18FSSDS
		Front mount extended (HH) ☁	JBXHH2G18MSSDSR	JBXHH2G18FSSDSR
	Plug	Straight plug (FH) *	JBXFH2G18MSSDSR	JBXFH2G18FSSDSR
Crimp contacts see page 209	Receptacle	Double nut, front or rear mount (EC)	JBXEC2G18MCSDS	JBXEC2G18FCSDS
		Front mount extended (HH)	JBXHH2G18MCSDSR	JBXHH2G18FCSDSR
	Plug	Straight plug (FH) *	JBXFH2G18MCSDSR	JBXFH2G18FCSDSR
Straight PCB contacts see page 209	Receptacle	Double nut, front or rear mount (EC)	JBXEC2G18MPSDS	JBXEC2G18FPSDS

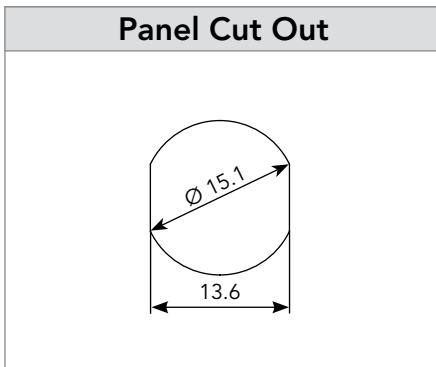
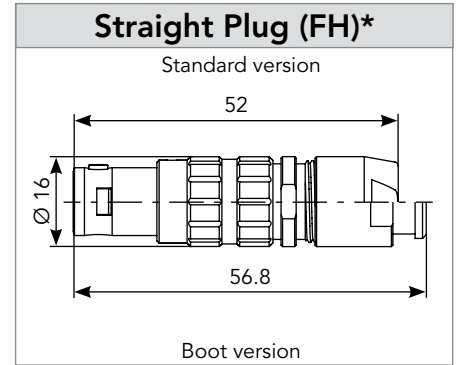
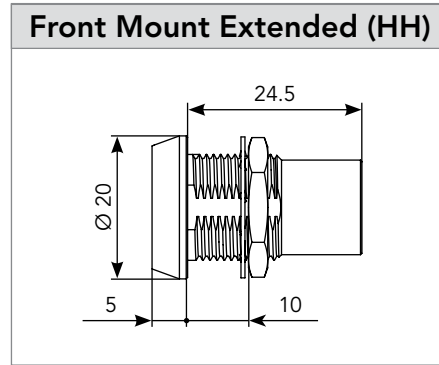
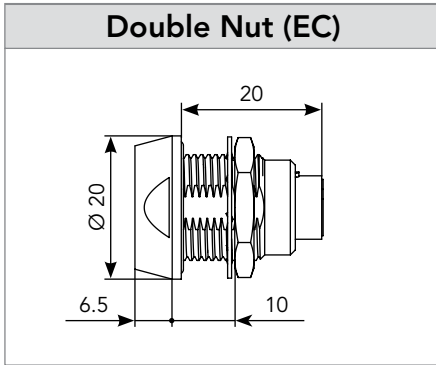
* In order to get the back nut for protective boot please add «M» after the last «S». Example: JBX Straight Plug, size 2, 18 solder contacts, male insert = JBXFH2G18MSSDSMR. The protective boot need to be ordered separately, see page accessories.

1: In order to get a black Chrome over Nickel please replace «S» before the «D» by one «N». Example: JBX Straight Plug, size 2, 18 solder contacts, male insert = JBXFH2G18MSNDSR.

☁ : Sealed in Unmated Condition

JBX2-18 - IP68 (18 x Ø 0.7 mm) - See non sealed IP40 version page 204

Dimensions (For mated connector lengths see page 209)



JBX2-18 - IP40 & IP68 (18 x Ø 0.7 mm)

Accessories

Receptacle Dust Cap




Part number
JBXBR2

Plug Dust Cap




Part number
JBXBF2

Grounding Washer



Part number
JAXRA2252

Insulating Washer



Part number	Color
JBX2RIA	Blue
JBX2RIB	White
JBX2RIG	Grey
JBX2RIJ	Yellow
JBX2RIM	Brown
JBX2RIN	Black
JBX2RIR	Red
JBX2RIV	Green
JBX2RIO	Orange

Note : Insulating washers are not compatible with the IP68 versions

Protective Boot

Available only for PC - FC - FD - SA, FH, with back nut protective boot 



Part number	Color
JBX2MPA	Blue
JBX2MPB	White
JBX2MPG	Grey
JBX2MPJ	Yellow
JBX2MPM	Brown
JBX2MPN	Black
JBX2MPR	Red
JBX2MPV	Green
JBX2MPO	Orange

The overall length is 25 mm longer with the protective boot.
Note: The protective boot is not a sealing element.


Tooling

Crimp Tooling



Part number
MIL-22520/7-01

Locator



Part number	
Male	Female
JBX20UTLP07	JBX20UTLS07

Extraction Tool



Part number
JBXOUTDC07

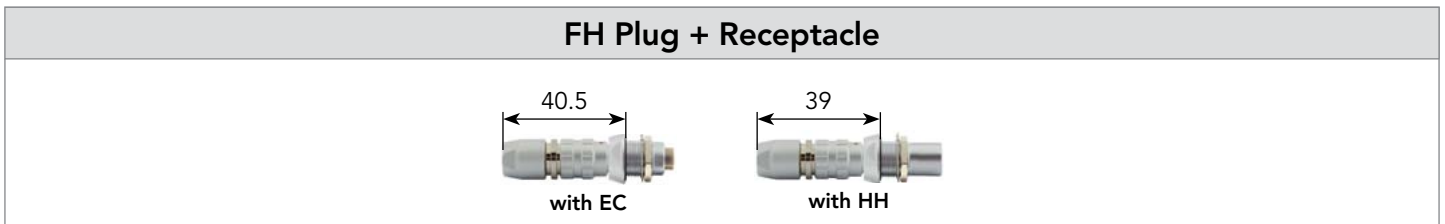
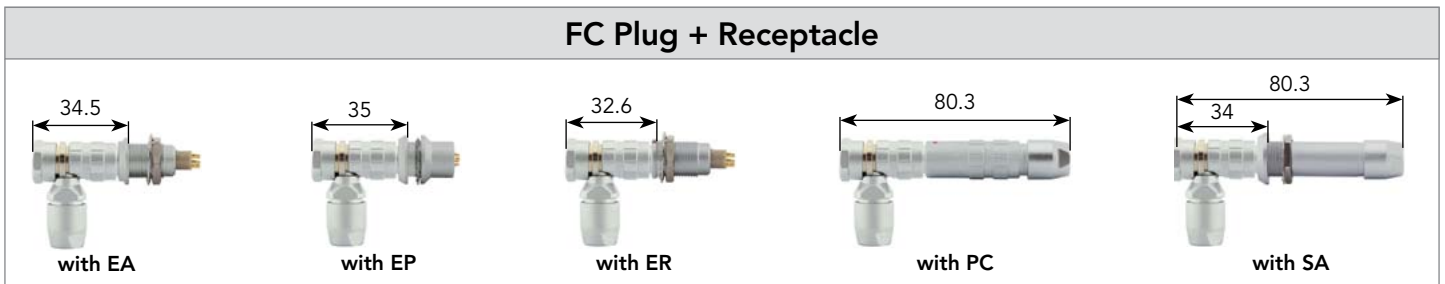
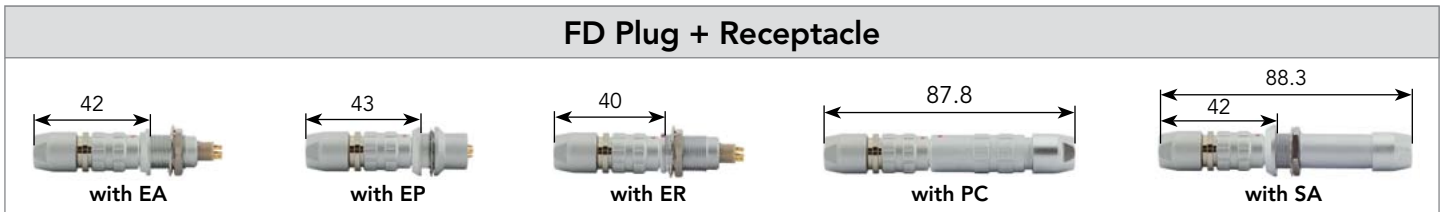
JBX2-18 - IP40 & IP68 (18 x Ø 0.7 mm)

Contacts

Ø 0.7 mm	Contact type	Plating	Contact locking type	AWG
Solder	Machined	0.5 µm gold over 3 to 5 µm Ni	Fixed	22
Crimp	Machined	0.5 µm gold over 3 to 5 µm Ni	Removable	22 - 24 - 26
Straight PCB	Machined	0.5 µm gold over 3 to 5 µm Ni	Fixed	-

For more information see pages 231 to 233

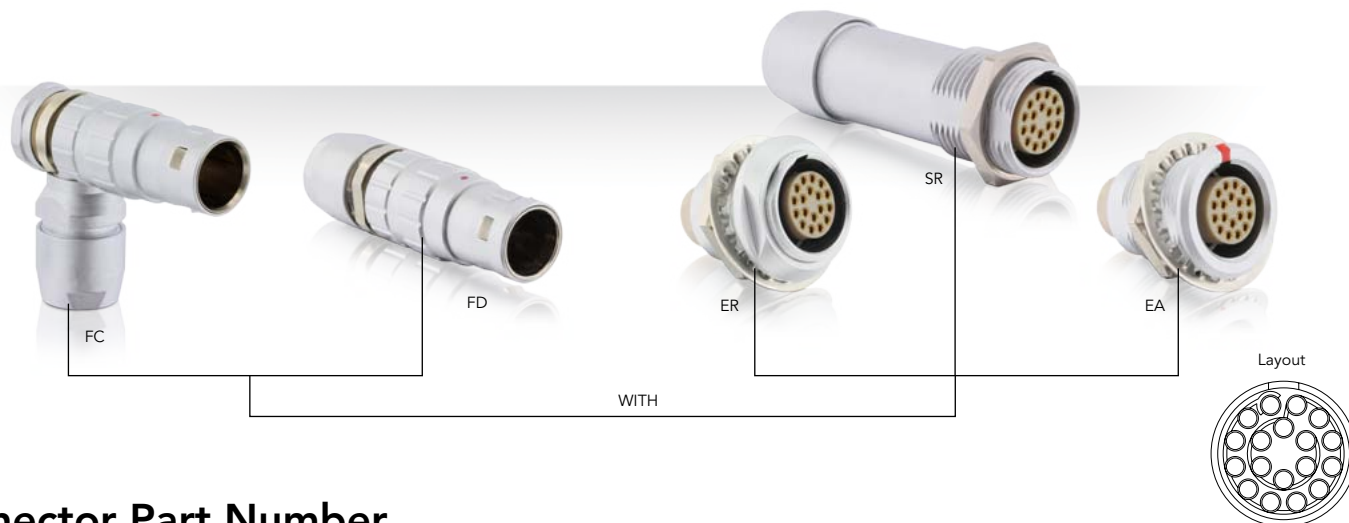
Mated Connector Length



Electrical Characteristics
<p>UL 5.5A 660V UL94 V-0</p>

Note: all dimensions are in mm

JBX3-18 - IP40 (18 x Ø 0.9 mm)



Connector Part Number

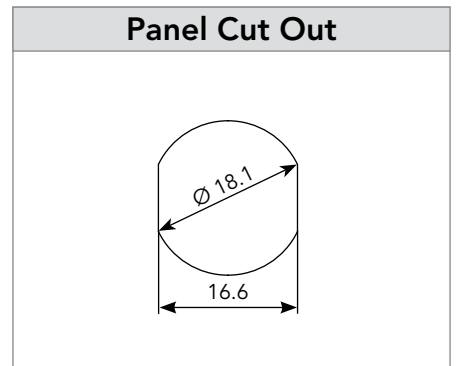
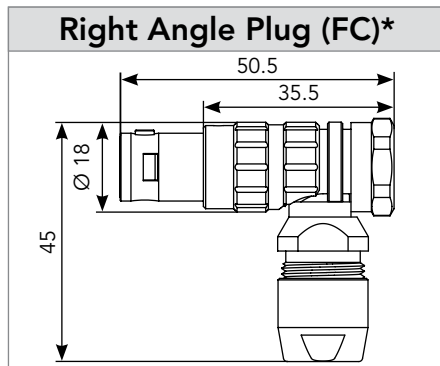
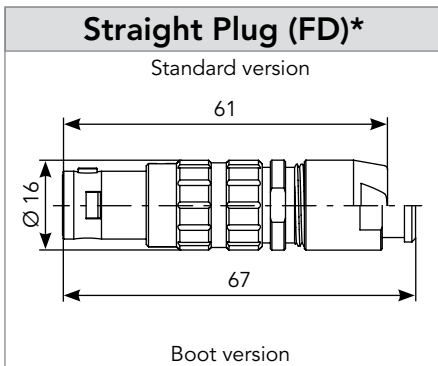
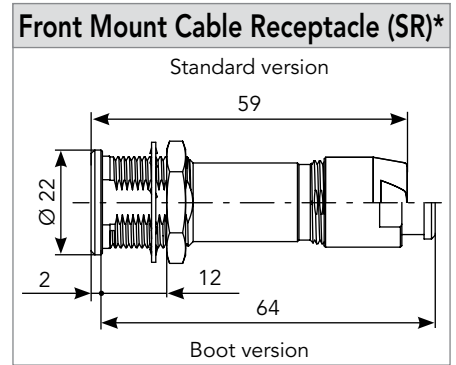
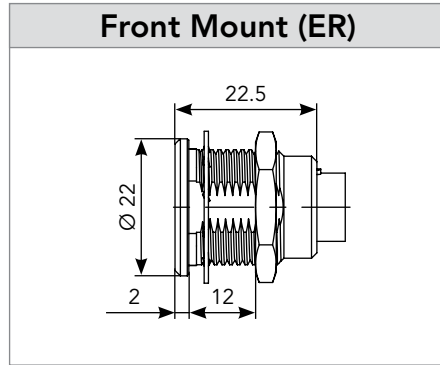
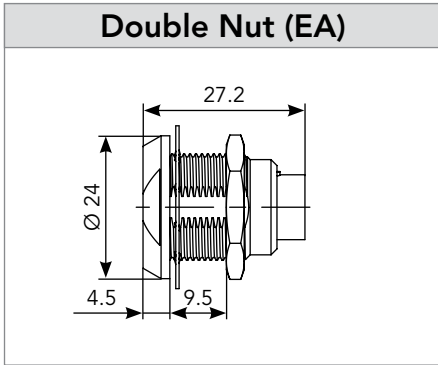
Contact type	Connector type	Description	Part number ⁽¹⁾	
			Male insert	Female insert
Solder contacts see page 213	Receptacle	Double nut (EA)	JBXEA3G18MSSDS	JBXEA3G18FSSDS
		Front mount (ER)	JBXER3G18MSSDSR	JBXER3G18FSSDSR
		Front mount cable (SR) *	JBXSR3G18MSSDSR	JBXSR3G18FSSDSR
	Plug	Straight plug (FD) *	JBXFD3G18MSSDSR	JBXFD3G18FSSDSR
Crimp contacts see page 213	Receptacle	Double nut (EA)	JBXEA3G18MCSDS	JBXEA3G18FCSDS
		Front mount (ER)	JBXER3G18MCSDSR	JBXER3G18FCSDSR
	Plug	Right angle plug (FC) *	JBXFC3G18MCSDSR	JBXFC3G18FCSDSR
		Straight plug (FD) *	JBXFD3G18MCSDSR	JBXFD3G18FCSDSR
Straight PCB contacts see page 213	Receptacle	Double nut (EA)	-	JBXEA3G18FPSDS

* In order to get the back nut for protective boot please add «M» after the last «S». Example: JBX Straight Plug, size 3, 18 solder contacts, male insert = JBXFD3G18MSSDSMR. ■ : First choice
The protective boot need to be ordered separately, see page accessories.

1: In order to get a black Chrome over Nickel please replace «S» before the «D» by one «N». Example: JBX Straight Plug, size 3, 18 solder contacts, male insert = JBXFD3G18MSNDSR.

JBX3-18 - IP40 (18 x Ø 0.9 mm)

Dimensions (For mated connector lengths see page 213)



JBX3-18 - IP40 (18 x Ø 0.9 mm)

Accessories

Receptacle Dust Cap




Part number
JBXBR3

Plug Dust Cap




Part number
JBXBF3

Grounding Washer



Part number
JAXRA3252

Insulating Washer



Part number	Color
JBX3RIA	Blue
JBX3RIB	White
JBX3RIG	Grey
JBX3RIJ	Yellow
JBX3RIM	Brown
JBX3RIN	Black
JBX3RIR	Red
JBX3RIV	Green
JBX3RIO	Orange

Note : Insulating washers are not compatible with the IP68 versions

Protective Boot

Available only for FC - FD - SR, with back nut protective boot 



Part number	Color
JBX3MPA	Blue
JBX3MPB	White
JBX3MPG	Grey
JBX3MPJ	Yellow
JBX3MPM	Brown
JBX3MPN	Black
JBX3MPR	Red
JBX3MPV	Green
JBX3MPO	Orange

The overall length is 28.5 mm longer with the protective boot.
Note: The protective boot is not a sealing element.


Tooling

Crimp Tooling



Part number
MIL-22520/7-01

Locator



Part number	
Male	Female
JBX3OUTLP09	JBX3OUTLS09

Extraction Tool



Part number
JBXOUTDC09

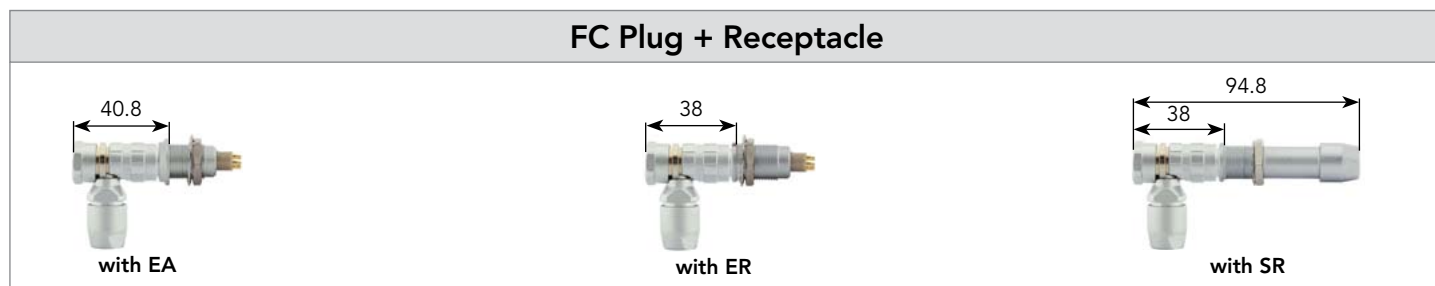
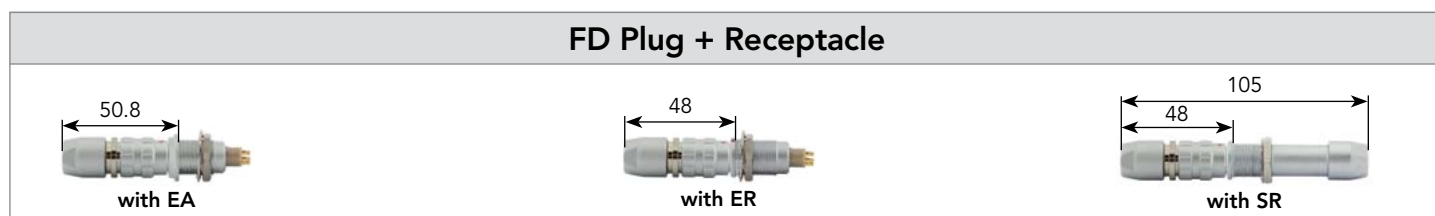
JBX3-18 - IP40 (18 x Ø 0.9 mm)

Contacts

Ø 0.9 mm	Contact type	Plating	Contact locking type	AWG
Solder	Machined	0.5 µm gold over 3 to 5 µm Ni	Removable	24
Crimp	Machined	0.5 µm gold over 3 to 5 µm Ni	Removable	20 - 22 - 24
Straight PCB	Machined	0.5 µm gold over 3 to 5 µm Ni	Fixed	-

For more information see pages 231 to 233

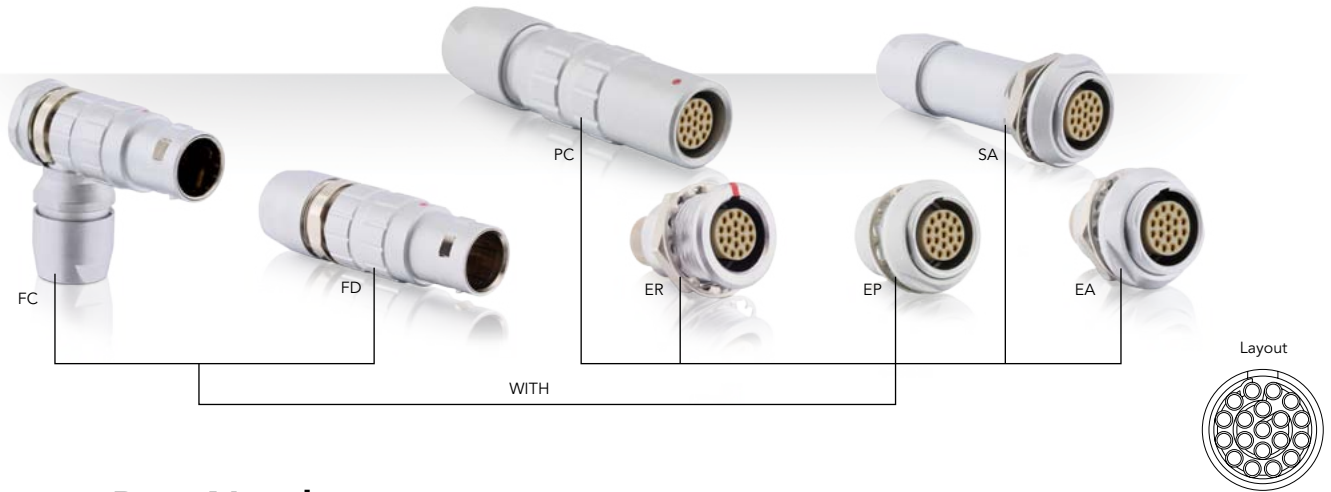
Mated Connector Length



Electrical Characteristics
<p>UL 7A 660V UL94 V-0</p>

Note: all dimensions are in mm

JBX2-19 - IP40 (19 x Ø 0.7 mm) - See waterproof IP68 version page 216



Connector Part Number

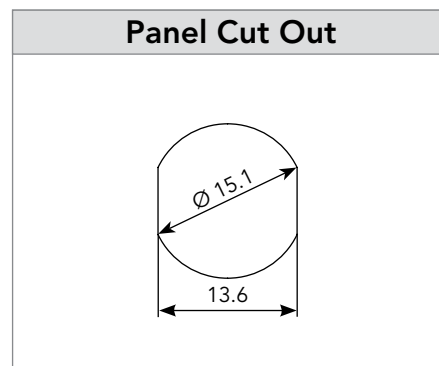
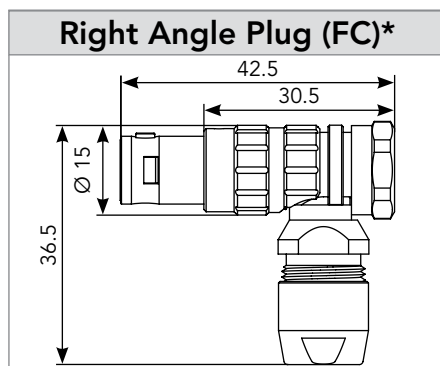
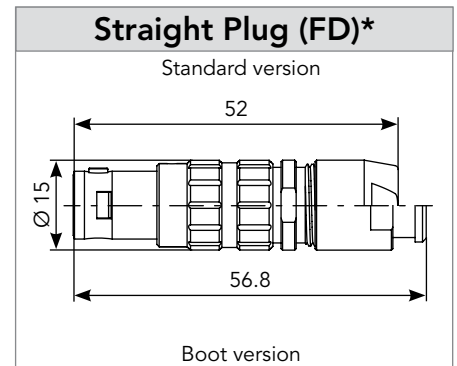
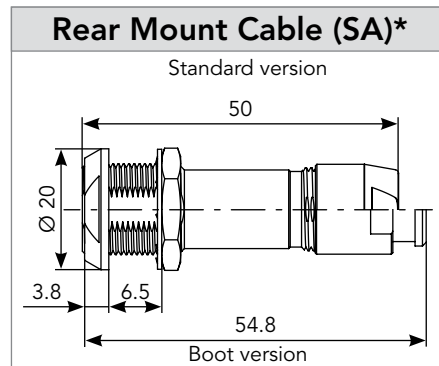
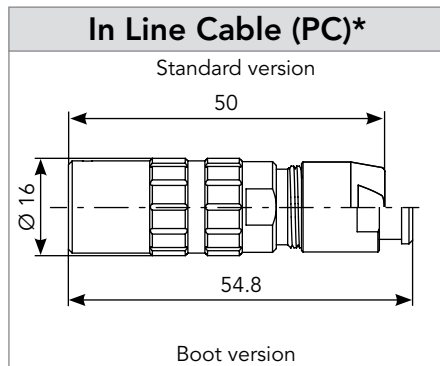
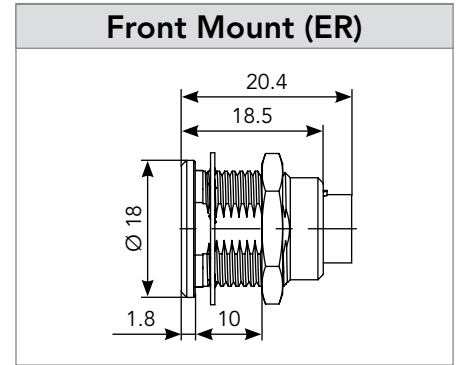
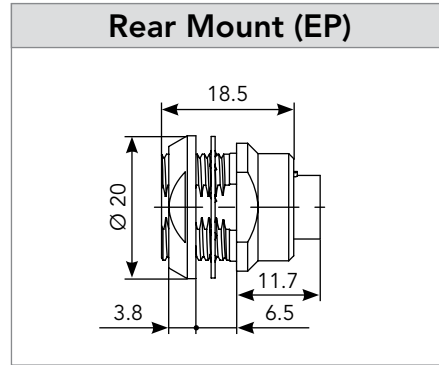
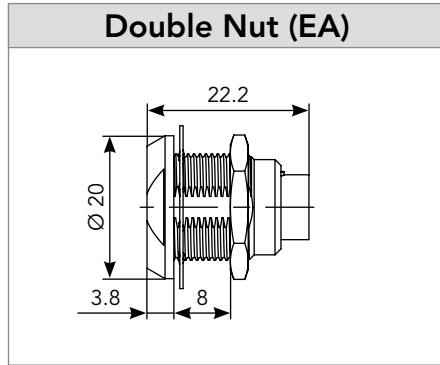
Contact type	Connector type	Description	Part number ⁽¹⁾	
			Male insert	Female insert
Solder contacts see page 219	Receptacle	Double nut (EA)	JBXEA2G19MSSDS	JBXEA2G19FSSDS
		Rear mount (EP)	JBXEP2G19MSSDS	JBXEP2G19FSSDS
		Front mount (ER)	JBXER2G19MSSDSR	JBXER2G19FSSDSR
		In line cable (PC) *	JBXPC2G19MSSDSR	JBXPC2G19FSSDSR
	Plug	Straight plug (FD) *	JBXFD2G19MSSDSR	JBXFD2G19FSSDSR
Crimp contacts see page 219	Receptacle	Double nut (EA)	JBXEA2G19MCSDS	JBXEA2G19FCSDS
		Rear mount (EP)	JBXEP2G19MCSDS	JBXEP2G19FCSDS
		Front mount (ER)	JBXER2G19MCSDSR	JBXER2G19FCSDSR
		In line cable (PC) *	JBXPC2G19MCSDSR	JBXPC2G19FCSDSR
		Rear mount cable (SA) *	JBXSA2G19MCSDS	JBXSA2G19FCSDS
	Plug	Right angle plug (FC) *	JBXFC2G19MCSDSR	JBXFC2G19FCSDSR
		Straight plug (FD) *	JBXFD2G19MCSDSR	JBXFD2G19FCSDSR
Straight PCB contacts see page 219	Receptacle	Double nut (EA)	JBXEA2G19MPSDS	JBXEA2G19FPSDS
		Rear mount (EP)	JBXEP2G19MPSDS	JBXEP2G19FPSDS
		Front mount (ER)	JBXER2G19MPSDSR	JBXER2G19FPSDSR

* In order to get the back nut for protective boot please add «M» after the last «S». Example: JBX Straight Plug, size 2, 19 solder contacts, male insert = JBXFD2G19MSSDSMR. : First choice
The protective boot need to be ordered separately, see page accessories.

(1): In order to get a black Chrome over Nickel please replace «S» before the «D» by one «N». Example: JBX Straight Plug, size 2, 19 solder contacts, male insert = JBXFD2G19MSNDSR.

JBX2-19 - IP40 (19 x Ø 0.7 mm) - See waterproof IP68 version page 216

Dimensions (For mated connector lengths see page 219)



Connector

Note: all dimensions are in mm

JBX2-19 - IP68 (19 x Ø 0.7 mm) - See non sealed IP40 version page 214



Connector Part Number

Contact type	Connector type	Description	Part number ⁽¹⁾	
			Male insert	Female insert
Solder contacts see page 219	Receptacle	Double nut, front or rear mount (EC)	JBXEC2G19MSSDS	JBXEC2G19FSSDS
		Front mount extended (HH) ☁	JBXHH2G19MSSDSR	JBXHH2G19FSSDSR
	Plug	Straight plug (FH) *	JBXFH2G19MSSDSR	JBXFH2G19FSSDSR
Crimp contacts see page 219	Receptacle	Double nut, front or rear mount (EC)	JBXEC2G19MCSDS	JBXEC2G19FCSDS
		Front mount extended (HH)	JBXHH2G19MCSDSR	JBXHH2G19FCSDSR
	Plug	Straight plug (FH) *	JBXFH2G19MCSDSR	JBXFH2G19FCSDSR
Straight PCB contacts see page 219	Receptacle	Double nut, front or rear mount (EC)	JBXEC2G19MPSDS	JBXEC2G19FPSDS

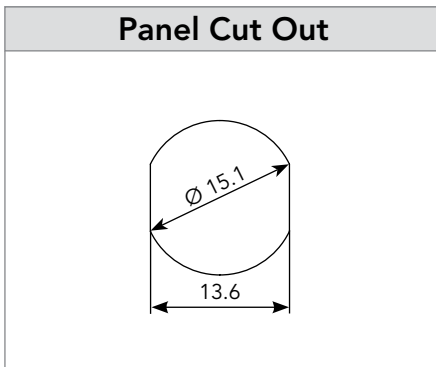
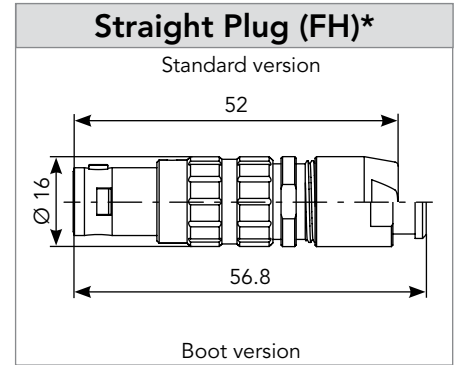
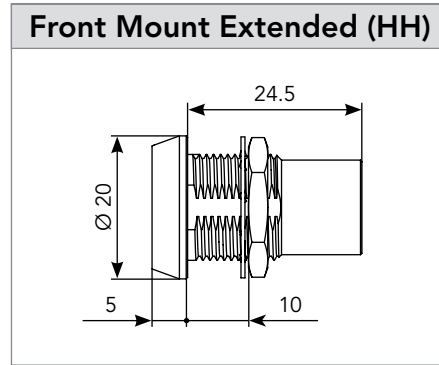
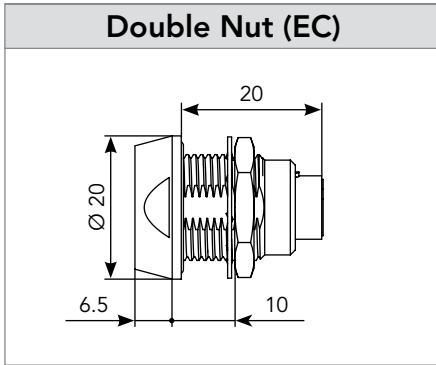
* In order to get the back nut for protective boot please add «M» after the last «S». Example: JBX Straight Plug, size 2, 19 solder contacts, male insert = JBXFH2G19MSSDSMR. The protective boot need to be ordered separately, see page accessories.

1: In order to get a black Chrome over Nickel please replace «S» before the «D» by one «N». Example: JBX Straight Plug, size 2, 19 solder contacts, male insert = JBXFH2G19MSNDSR.

☁ : Sealed in Unmated Condition

JBX2-19 - IP68 (19 x Ø 0.7 mm) - See non sealed IP40 version page 214

Dimensions (For mated connector lengths see page 219)



JBX2-19 - IP40 & IP68 (19 x Ø 0.7 mm)

Accessories

Receptacle Dust Cap




Part number
JBXBR2

Plug Dust Cap




Part number
JBXBF2

Grounding Washer



Part number
JAXRA2252

Insulating Washer



Part number	Color
JBX2RIA	Blue
JBX2RIB	White
JBX2RIG	Grey
JBX2RIJ	Yellow
JBX2RIM	Brown
JBX2RIN	Black
JBX2RIR	Red
JBX2RIV	Green
JBX2RIO	Orange

Note : Insulating washers are not compatible with the IP68 versions

Protective Boot

Available only for PC - FC - FD - SA, FH, with back nut protective boot 



Part number	Color
JBX2MPA	Blue
JBX2MPB	White
JBX2MPG	Grey
JBX2MPJ	Yellow
JBX2MPM	Brown
JBX2MPN	Black
JBX2MPR	Red
JBX2MPV	Green
JBX2MPO	Orange

The overall length is 25 mm longer with the protective boot.
Note: The protective boot is not a sealing element.


Tooling

Crimp Tooling



Part number
MIL-22520/7-01

Locator



Part number	
Male	Female
JBX20UTLP07	JBX20UTLS07

Extraction Tool



Part number
JBXOUTDC07

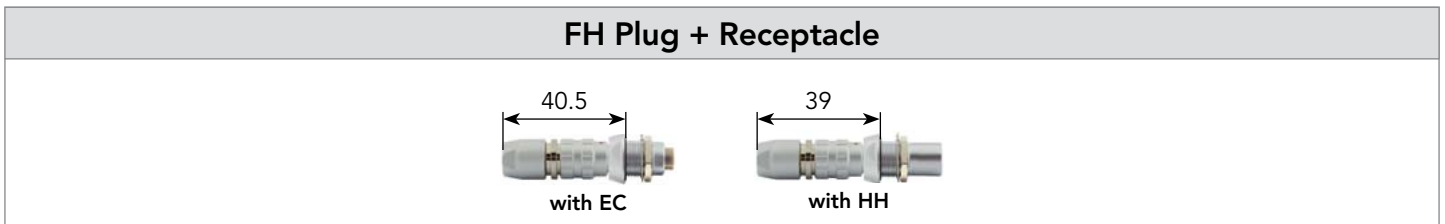
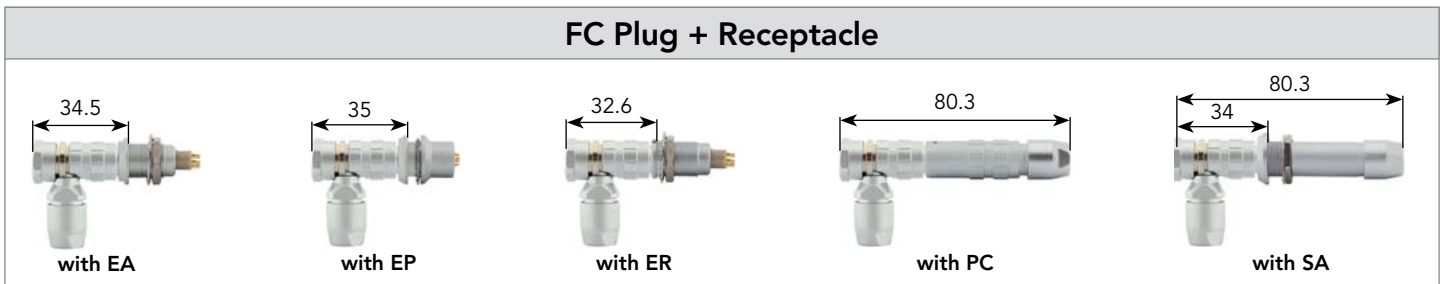
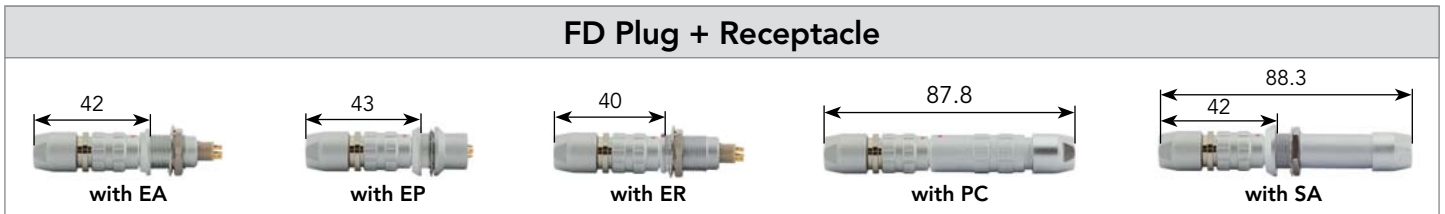
JBX2-19 - IP40 & IP68 (19 x Ø 0.7 mm)

Contacts

Ø 0.7 mm	Contact type	Plating	Contact locking type	AWG
Solder	Machined	0.5 µm gold over 3 to 5 µm Ni	Fixed	22
Crimp	Machined	0.5 µm gold over 3 to 5 µm Ni	Removable	22 - 24 - 26
Straight PCB	Machined	0.5 µm gold over 3 to 5 µm Ni	Fixed	-

For more information see pages 231 to 233

Mated Connector Length



Electrical Characteristics
<p>UL 5A 660V UL94 V-0</p>

Note: all dimensions are in mm

JBX3-22 - IP40 (22 x Ø 0.7 mm)



Connector Part Number

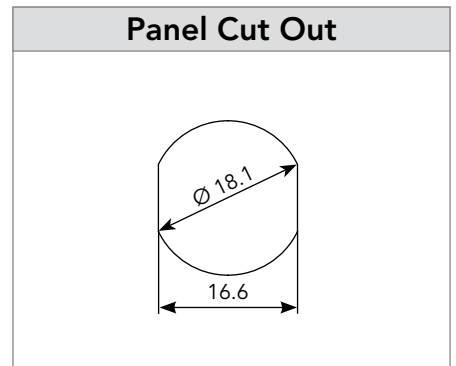
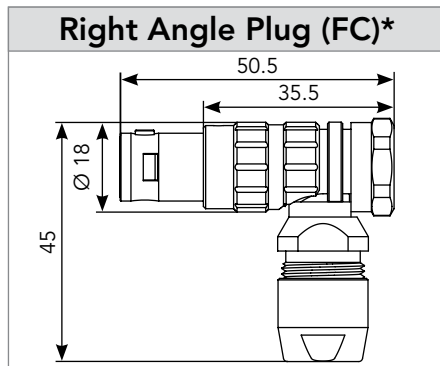
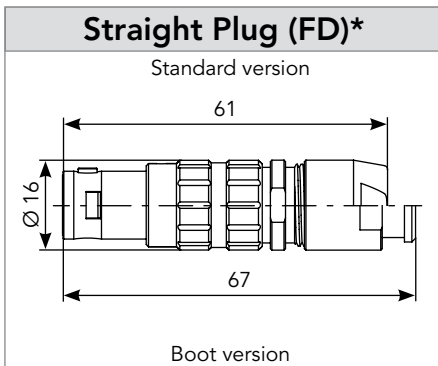
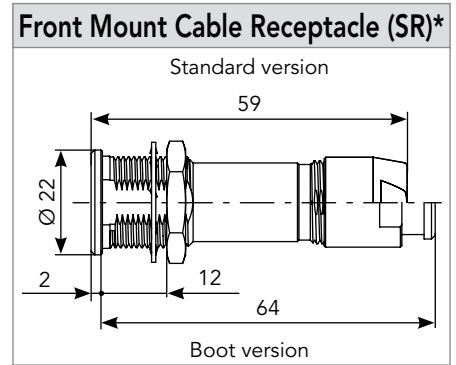
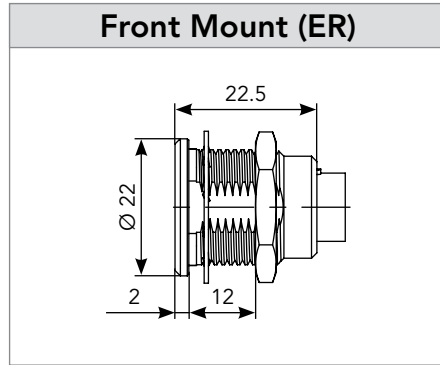
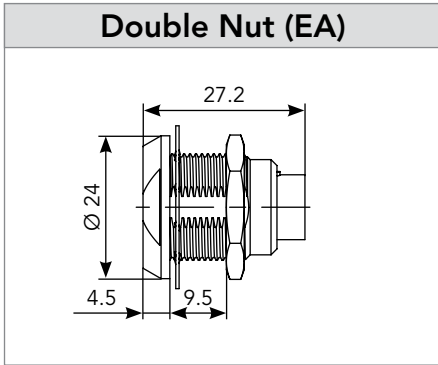
Contact type	Connector type	Description	Part number ⁽¹⁾	
			Male insert	Female insert
Solder contacts see page 223	Receptacle	Double nut (EA)	JBXEA3G22MSSDS	JBXEA3G22FSSDS
		Front mount (ER)	JBXER3G22MSSDSR	JBXER3G22FSSDSR
		Front mount cable (SR) *	JBXSR3G22MSSDSR	JBXSR3G22FSSDSR
	Plug	Straight plug (FD) *	JBXFD3G22MSSDSR	JBXFD3G22FSSDSR
Crimp contacts see page 223	Receptacle	Double nut (EA)	JBXEA3G22MCSDS	JBXEA3G22FCSDS
		Front mount (ER)	JBXER3G22MCSDSR	JBXER3G22FCSDSR
	Plug	Right angle plug (FC) *	JBXFC3G22MCSDSR	JBXFC3G22FCSDSR
		Straight plug (FD) *	JBXFD3G22MCSDSR	JBXFD3G22FCSDSR
Straight PCB contacts see page 223	Receptacle	Double nut (EA)	-	JBXEA3G22FPSDS

* In order to get the back nut for protective boot please add «M» after the last «S». Example: JBX Straight Plug, size 3, 22 solder contacts, male insert = JBXFD3G22MSSDSMR. ■ : First choice
The protective boot need to be ordered separately, see page accessories.

1: In order to get a black Chrome over Nickel please replace «S» before the «D» by one «N». Example: JBX Straight Plug, size 3, 22 solder contacts, male insert = JBXFD3G22MSNDSR.

JBX3-22 - IP40 (22 x Ø 0.7 mm)

Dimensions (For mated connector lengths see page 223)



Note: all dimensions are in mm

JBX3-22 - IP40 (22 x Ø 0.7 mm)

Accessories

Receptacle Dust Cap




Part number
JBXBR3

Plug Dust Cap




Part number
JBXBF3

Grounding Washer



Part number
JAXRA3252

Insulating Washer



Part number	Color
JBX3RIA	Blue
JBX3RIB	White
JBX3RIG	Grey
JBX3RIJ	Yellow
JBX3RIM	Brown
JBX3RIN	Black
JBX3RIR	Red
JBX3RIV	Green
JBX3RIO	Orange

Note : Insulating washers are not compatible with the IP68 versions

Protective Boot

Available only for FC - FD - SR, with back nut protective boot 



Part number	Color
JBX3MPA	Blue
JBX3MPB	White
JBX3MPG	Grey
JBX3MPJ	Yellow
JBX3MPM	Brown
JBX3MPN	Black
JBX3MPR	Red
JBX3MPV	Green
JBX3MPO	Orange

The overall length is 28.5 mm longer with the protective boot.
Note: The protective boot is not a sealing element.


Tooling

Crimp Tooling



Part number
MIL-22520/7-01

Locator



Part number	
Male	Female
JBX30UTLP07	JBX30UTLS07

Extraction Tool



Part number
JBXOUTDC07

JBX3-22 - IP40 (22 x Ø 0.7 mm)


Contacts

Ø 0.7 mm	Contact type	Plating	Contact locking type	AWG
Solder	Machined	0.5 µm gold over 3 to 5 µm Ni	Fixed	22
Crimp	Machined	0.5 µm gold over 3 to 5 µm Ni	Removable	22 - 24 - 26
Straight PCB	Machined	0.5 µm gold over 3 to 5 µm Ni	Fixed	-


For more information see pages 231 to 233

Mated Connector Length

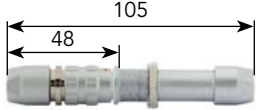
FD Plug + Receptacle



50.8
with EA




48
with ER




105
48
with SR

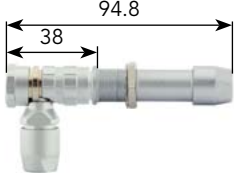
FC Plug + Receptacle



40.8
with EA



38
with ER



94.8
38
with SR

Connector

Electrical Characteristics
UL 5.5A 560V UL94 V-0

Note: all dimensions are in mm

JBX3-30 - IP40 (30 x Ø 0.7 mm)



Connector Part Number

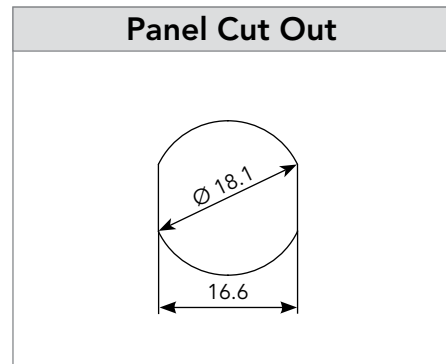
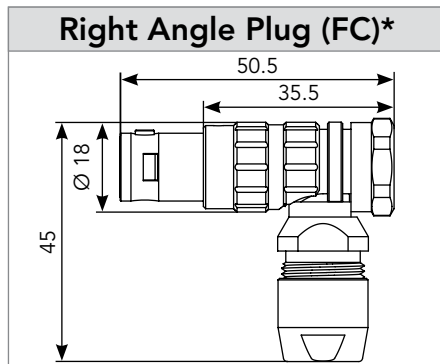
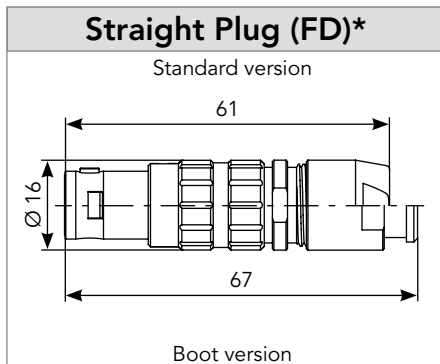
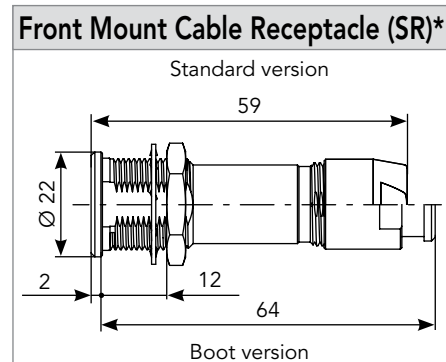
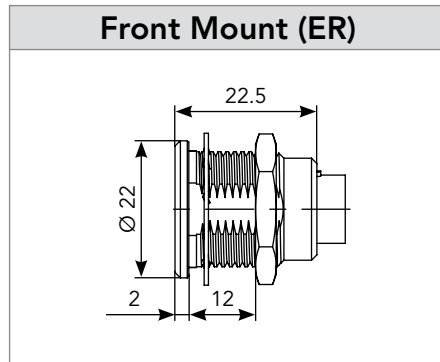
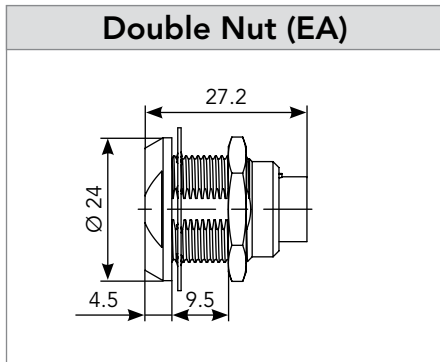
Contact type	Connector type	Description	Part number ⁽¹⁾	
			Male insert	Female insert
Solder contacts see page 227	Receptacle	Double nut (EA)	JBXEA3G30MSSDS	JBXEA3G30FSSDS
		Front mount (ER)	JBXER3G30MSSDSR	JBXER3G30FSSDSR
		Front mount cable (SR) *	JBXSR3G30MSSDSR	JBXSR3G30FSSDSR
	Plug	Straight plug (FD) *	JBXFD3G30MSSDSR	JBXFD3G30FSSDSR
Crimp contacts see page 227	Receptacle	Double nut (EA)	JBXEA3G30MCSDS	JBXEA3G30FCSDS
		Front mount (ER)	JBXER3G30MCSDSR	JBXER3G30FCSDSR
	Plug	Right angle plug (FC) *	JBXFC3G30MCSDSR	JBXFC3G30FCSDSR
		Straight plug (FD) *	JBXFD3G30MCSDSR	JBXFD3G30FCSDSR
Straight PCB contacts see page 227	Receptacle	Double nut (EA)	-	JBXEA3G30FPSDS

* In order to get the back nut for protective boot please add «M» after the last «S». Example: JBX Straight Plug, size 3, 30 solder contacts, male insert = JBXFD3G30MSSDSMR. ■ : First choice
The protective boot need to be ordered separately, see page accessories.

1: In order to get a black Chrome over Nickel please replace «S» before the «D» by one «N». Example: JBX Straight Plug, size 3, 30 solder contacts, male insert = JBXFD3G30MSNDSR.

JBX3-30 - IP40 (30 x Ø 0.7 mm)

Dimensions (For mated connector lengths see page 227)



JBX3-30 - IP40 (30 x Ø 0.7 mm)

Accessories

Receptacle Dust Cap




Part number
JBXBR3

Plug Dust Cap




Part number
JBXBF3

Grounding Washer



Part number
JAXRA3252

Insulating Washer



Part number	Color
JBX3RIA	Blue
JBX3RIB	White
JBX3RIG	Grey
JBX3RIJ	Yellow
JBX3RIM	Brown
JBX3RIN	Black
JBX3RIR	Red
JBX3RIV	Green
JBX3RIO	Orange

Note : Insulating washers are not compatible with the IP68 versions

Protective Boot

Available only for FC - FD - SR, with back nut protective boot 



Part number	Color
JBX3MPA	Blue
JBX3MPB	White
JBX3MPG	Grey
JBX3MPJ	Yellow
JBX3MPM	Brown
JBX3MPN	Black
JBX3MPR	Red
JBX3MPV	Green
JBX3MPO	Orange

The overall length is 28.5 mm longer with the protective boot.
Note: The protective boot is not a sealing element.


Tooling

Crimp Tooling



Part number
MIL-22520/7-01

Locator



Part number	
Male	Female
JBX30UTLP07	JBX30UTLS07

Extraction Tool



Part number
JBXOUTDC07

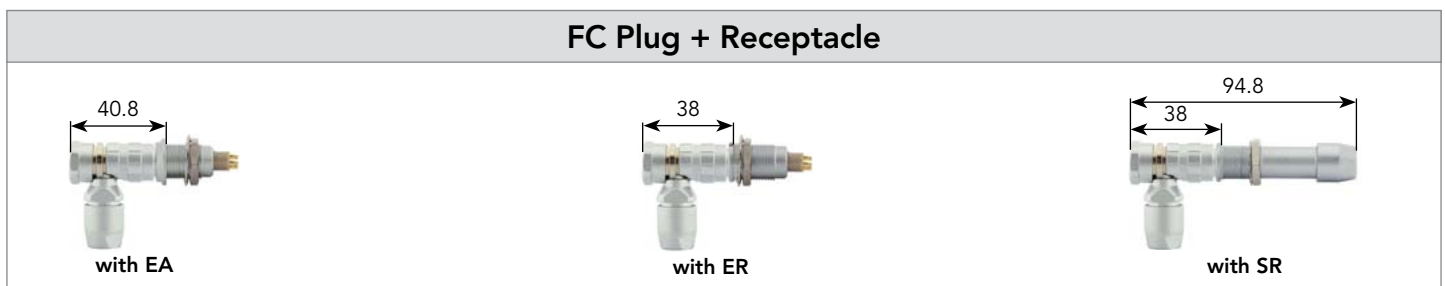
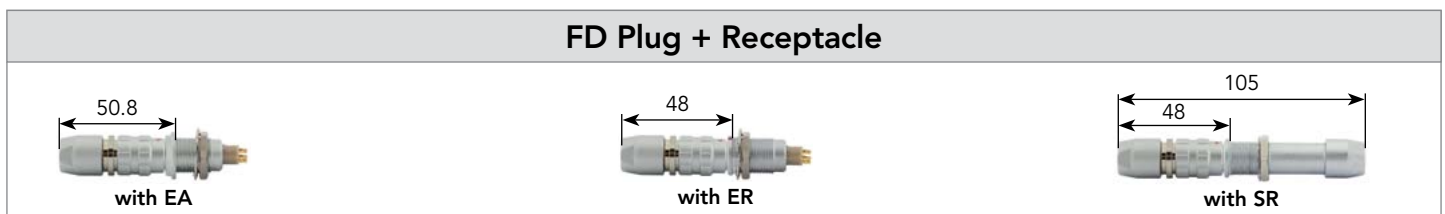
JBX3-30 - IP40 (30 x Ø 0.7 mm)

Contacts

Ø 0.7 mm	Contact type	Plating	Contact locking type	AWG
Solder	Machined	0.5 µm gold over 3 to 5 µm Ni	Fixed	22
Crimp	Machined	0.5 µm gold over 3 to 5 µm Ni	Removable	22 - 24 - 26
Straight PCB	Machined	0.5 µm gold over 3 to 5 µm Ni	Fixed	-

For more information see pages 231 to 233

Mated Connector Length



Electrical Characteristics
<p>UL 3.5A 400V UL94 V-0</p>

Note: all dimensions are in mm

JBX SERIES

Contacts

■ Description	230
■ Packaging	230
■ Solder Contacts	231
■ Crimp Contacts	232
■ Straight PCB Contacts	233
■ 90° PCB Contacts	234
■ Tooling	235

Contacts

Description

The JBX series is delivered with contacts and offers the unique feature to use the same style contact in any layout with the same active part size (i.e. #25, #22, #20, #18 mm, #16 or #14). This provides our customers with an easy solution to buy only one type of contact to equip all their connectors even if housings/shell sizes are different.

This provides the benefit of standardization and subsequent reduced inventory costs. In addition, it eliminates the need for added tooling and simplifies the assembly process. SOURIAU contacts are designed for simple snap-in installation and further eliminate the need for insertion tooling.

In addition to the below "crimp" or "solder" style contact options, the JBX series can also be equipped with straight or 90° PCB contacts.



• Solder



• Crimp



• Straight PCB



• 90° PCB

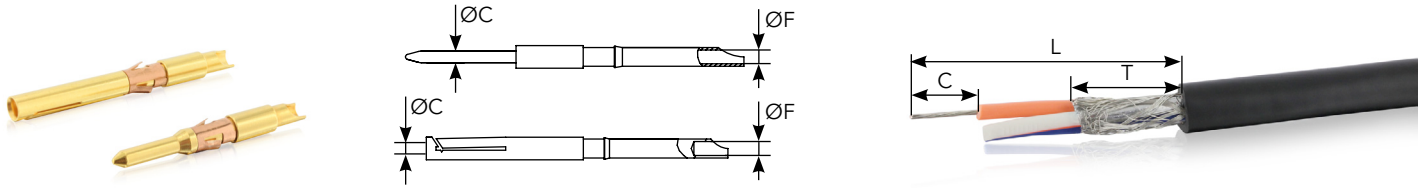
Packaging for contacts #22 to #14

Due to the wide variety of applications, contact packaging is offered in bulk package.



• 100 pieces loose package

Solder Contacts



Contact size ØC	Shell size	ØF	Wire size (Stranded)		Part number*		Max current rating (A)	Contact resistance (mΩ)
			AWG (Maxi)	mm² (Maxi)	Male	Female		
#25 Ø 0.5 mm	00	0.40	30	0.05	-	-	5	10
	0	0.50	28	0.09	-	-	5	10
	1	0.50	28	0.09	-	-	5	10
#22 Ø 0.7 mm	0	0.80	22	0.34	-	-	7	5
	1	0.80	22	0.34	-	-	7	5
	2	0.80	22	0.34	-	-	7	5
	3	0.80	22	0.34	-	-	7	5
#20 Ø 0.9 mm	0	0.80	22	0.34	JBX0CTMS09	JBX0CTFS09	10	3.5
	1	0.80	22	0.34	JBX1CTMS09	JBX1CTFS09	10	3.5
	2	0.80	22	0.34	JBX2CTMS09	JBX2CTFS09	10	3.5
	3	0.80	22	0.34	JBX3CTMS09	JBX3CTFS09	10	3.5
#18 Ø 1.3 mm	1	1.10	20	0.50	JBX1CTMS13	JBX1CTFS13	15	3
	2	1.10	20	0.50	JBX2CTMS13	JBX2CTFS13	15	3
	3	1.10	20	0.50	JBX3CTMS13	JBX3CTFS13	15	3
#16 Ø 1.6 mm	2	1.50	18	1.00	JBX2CTMS16	JBX2CTFS16	17	2.5
	3	1.50	18	1.00	JBX3CTMS16	JBX3CTFS16	17	2.5
#14 Ø 2.0 mm	2	1.90	16	1.50	JBX2CTMS20	JBX2CTFS20	30	2.5
	3	1.90	16	1.50	JBX3CTMS20	JBX3CTFS20	30	2.5

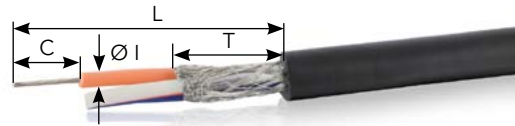
* Part numbers for removal contacts only

Wire Stripping Instructions

Shell size	Contact size	Stripping for FD, SR, PC connectors			Stripping for FC connector		
		L	C	T	L	C	T
00	0.5	9	2	4	-	-	-
0	0.5	11	2	7	16	2	7
	0.7	12	3	7	16	3	7
	0.9	12	3	7	16	3	7
1	0.5	12	2	8	19	2	8
	0.7	13	3	8	19	3	8
	0.9	13	3	8	19	3	8
	1.3	13	3.5	8	19	3.5	8
2	0.7	16	3	9	25	3	9
	0.9	16	3	9	25	3	9
	1.3	16	3.5	9	25	3	9
	1.6	18	4	9	25	4	9
	2.0	18	4	9	25	4	9
3	0.7	20	3	10	30	3	10
	0.9	20	3	10	30	3	10
	1.3	20	3.5	10	30	3.5	10
	1.6	22	4	10	30	4	10
	2.0	22	4	10	30	4	10

Note: all dimensions are in mm

Crimp Contacts



Contact size	Shell type	Wire size		Part number*		Max current rating (A)	Contact resistance (mΩ)
		AWG	mm ²	Male	Female		
#22 Ø 0.7 mm	0	22 - 24 - 26	0.129-0.326	JBX0CTMC07	JBX0CTFC07	7	5
	1	22 - 24 - 26	0.129-0.326	JBX1CTMC07	JBX1CTFC07	7	5
	2	22 - 24 - 26	0.129-0.326	JBX2CTMC07	JBX2CTFC07	7	5
	3	22 - 24 - 26	0.129-0.326	JBX3CTMC07	JBX3CTFC07	7	5
#20 Ø 0.9 mm	0	20 - 22 - 24	0.205-0.518	JBX0CTMC09	JBX0CTFC09	10	3.5
	1	20 - 22 - 24	0.205-0.518	JBX1CTMC09	JBX1CTFC09	10	3.5
	2	20 - 22 - 24	0.205-0.518	JBX2CTMC09	JBX2CTFC09	10	3.5
	3	20 - 22 - 24	0.205-0.518	JBX3CTMC09	JBX3CTFC09	10	3.5
#18 Ø 1.3 mm	1	18 - 20 - 22	0.326-0.823	JBX1CTMC13	JBX1CTFC13	15	3
	2	18 - 20 - 22	0.326-0.823	JBX2CTMC13	JBX2CTFC13	15	3
	3	18 - 20 - 22	0.326-0.823	JBX3CTMC13	JBX3CTFC13	15	3
#16 Ø 1.6 mm	2	14 - 16 - 18	0.823-2.081	JBX2CTMC16	JBX2CTFC16	17	2.5
	3	14 - 16 - 18	0.823-2.081	JBX3CTMC16	JBX3CTFC16	17	2.5
#14 Ø 2.0 mm	2	12 - 14 - 16	1.309-3.309	JBX2CTMC20	JBX2CTFC20	30	2.5
	3	12 - 14 - 16	1.309-3.309	JBX3CTMC20	JBX3CTFC20	30	2.5

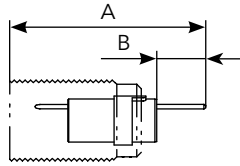
* Part numbers for removal contacts only

Wire Stripping Instructions

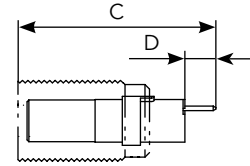
Shell size	Contact size	Ø I (diameter over insulation)	Stripping for FD, SR, PC connectors			Stripping for FC connector		
			L	C	T	L	C	T
0	0.7	≤ 1.35	15	4	7	19	4	7
		> 1.35		5.5			5.5	
	0.9	≤ 1.60	15	4	7	19	4	7
		> 1.60		5.5			5.5	
1	0.7	≤ 1.35	16	4	8	22	4	8
		> 1.35		5.5			5.5	
	0.9	≤ 1.60	16	4	8	22	4	8
		> 1.60		5.5			5.5	
	1.3	≤ 2.10	16	4	8	22	4	8
		> 2.10		5.5			5.5	
2	0.7	≤ 1.35	19	4	9	28	4	9
		> 1.35		5.5			5.5	
	0.9	≤ 1.60	19	4	9	28	4	9
		> 1.60		5.5			5.5	
	1.3	≤ 2.10	19	4	9	28	4	9
		> 2.10		5.5			5.5	
	1.6	≤ 2.60	21	5.5	9	28	5.5	9
		> 2.60		7			7	
2.0	≤ 3.20	21	5.5	9	28	5.5	9	
	> 3.20		7			7		
3	0.7	≤ 1.35	25	4	10	35	4	10
		> 1.35		7			7	
	0.9	≤ 1.60	25	4	10	35	4	10
		> 1.60		7			7	
	1.3	≤ 2.10	25	4	10	35	4	10
		> 2.10		7			7	
	1.6	≤ 2.60	27	5.5	10	35	5.5	10
		> 2.60		8.5			8.5	
	2.0	≤ 3.20	27	5.5	10	35	5.5	10
		> 3.20		8.5			8.5	

Note: all dimensions are in mm

Straight PCB Contacts



Male Insulator

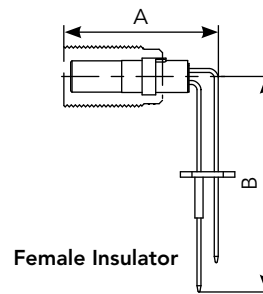


Female Insulator

Shell size	Contact size	Layout	Contact range		Max current rating (A)	Contact resistance (mΩ)	A	B	C	D
			Male contact	Female contact						
0	#25 Ø 0.5 mm	06	Yes	Yes	2	10	21.6	5.4	21.6	5.4
		07	Yes	Yes	2.5	10	21.6	5.4	21.6	5.5
		08	Yes	Yes	2.5	10	21.6	5.4	21.6	5.4
	#22 Ø 0.7 mm	05	Yes	Yes	6.5	5	24.3	5.9	21.8	3.4
		04	Yes	Yes	7	5	24.3	5.9	21.8	3.4
	#20 Ø 0.9 mm	03	No	Yes	10	3.5	-	-	21.8	3.4
02		No	Yes	10	3.5	-	-	21.8	3.4	
1	#25 Ø 0.5 mm	12	No	Yes	5	10	-	-	24.0	5.1
		10	No	Yes	5	10	-	-	24.0	5.1
	#22 Ø 0.7 mm	08	Yes	Yes	7	5	26.3	5.9	24.3	3.9
		07	Yes	Yes	7	5	26.3	5.9	24.3	3.9
		06	Yes	Yes	7	5	26.3	5.9	24.3	3.9
	#20 Ø 0.9 mm	05	No	Yes	10	3.5	-	-	24.3	3.9
		04	No	Yes	10	3.5	-	-	24.3	3.9
	#17 Ø 1.3 mm	03	No	Yes	15	3	-	-	24.3	3.9
02		No	Yes	15	3	-	-	24.3	3.9	
2	#22 Ø 0.7 mm	19	Yes	Yes	7	5	25.7	3.3	28.3	5.9
		18	Yes	Yes	7	5	25.7	3.3	28.3	5.9
		16	Yes	Yes	7	5	25.7	3.3	28.3	5.9
		12	Yes	Yes	7	5	25.7	3.3	28.3	5.9
	#20 Ø 0.9 mm	10	No	Yes	10	3.5	-	-	28.3	5.9
		08	No	Yes	10	3.5	-	-	28.3	5.9
	#17 Ø 1.3 mm	07	Yes	Yes	15	3	30.5	8.1	28.3	5.9
		06	Yes	Yes	15	3	30.5	8.1	28.3	5.9
		05	Yes	Yes	15	3	30.5	8.1	28.3	5.9
		04	Yes	Yes	15	3	30.5	8.1	28.3	5.9
3	#22 Ø 0.7 mm	30	No	Yes	7	5	-	-	33.2	5.8
		22	No	Yes	7	5	-	-	33.2	5.8
	#20 Ø 0.9 mm	18	No	Yes	10	3.5	-	-	33.2	5.8
		14	No	Yes	10	3.5	-	-	33.2	5.8
	#17 Ø 1.3 mm	10	No	Yes	15	3.5	-	-	33.2	5.8

Note: all dimensions are in mm

90° PCB Contacts



Shell size	Contact size	Layout	Contact range	Max current rating (A)	Contact resistance (mΩ)	A	B
			Female contact				
0	#22 Ø 0.7 mm	05	Yes	7	5	25.2	31.9
		04	Yes	7	5	22.7	31.7
	#20 Ø 0.9 mm	03	Yes	10	3.5	22.7	31.4
		02	Yes	10	3.5	22.7	31.9
1	#22 Ø 0.7 mm	08	Yes	7	5	27.6	32.5
		07	Yes	7	5	27.6	32.4
		06	Yes	7	5	27.6	32.4
	#20 Ø 0.9 mm	05	Yes	10	3.5	27.6	32.1
		04	Yes	10	3.5	25.0	31.8
	#17 Ø 1.3 mm	03	Yes	15	3	25.0	31.5
2	#22 Ø 0.7 mm	16	Yes	7	5	34.7	34
		12	Yes	7	5	32.1	33.7
	#20 Ø 0.9 mm	10	Yes	10	3.5	32.1	33.6
		08	Yes	10	3.5	29.6	33.8

Tooling

Crimp Tool Table

Crimp contacts

Contact size	Shell type	Part number*		Crimp tooling	Locator		Extraction tools
		Male	Female		Male	Female	
#22 Ø 0.7 mm	0	JBX0CTMC07	JBX0CTFC07	MIL - 22520/7-01	JBX0OUTLP07	JBX0OUTLS07	JBXOUTDC07
	1	JBX1CTMC07	JBX1CTFC07		JBX1OUTLP07	JBX1OUTLS07	
	2	JBX2CTMC07	JBX2CTFC07		JBX2OUTLP07	JBX2OUTLS07	
	3	JBX3CTMC07	JBX3CTFC07		JBX3OUTLP07	JBX3OUTLS07	
#20 Ø 0.9 mm	0	JBX0CTMC09	JBX0CTFC09	MIL - 22520/7-01	JBX0OUTLP09	JBX0OUTLS09	JBXOUTDC09
	1	JBX1CTMC09	JBX1CTFC09		JBX1OUTLP09	JBX1OUTLS09	
	2	JBX2CTMC09	JBX2CTFC09		JBX2OUTLP09	JBX2OUTLS09	
	3	JBX3CTMC09	JBX3CTFC09		JBX3OUTLP09	JBX3OUTLS09	
#18 Ø 1.3 mm	1	JBX1CTMC13	JBX1CTFC13	MIL - 22520/7-01	JBX1OUTLP13	JBX1OUTLS13	JBXOUTDC13
	2	JBX2CTMC13	JBX2CTFC13		JBX2OUTLP13	JBX2OUTLS13	
	3	JBX3CTMC13	JBX3CTFC13		JBX3OUTLP13	JBX3OUTLS13	
#16 Ø 1.6 mm	2	JBX2CTMC16	JBX2CTFC16	MIL - 22520/1-01	JBX2OUTLT16		JBXOUTDC16
	3	JBX3CTMC16	JBX3CTFC16		JBX3OUTLT16		
#14 Ø 2.0 mm	2	JBX2CTMC20	JBX2CTFC20	MIL - 22520/1-01	JBX2OUTLT20		JBXOUTDC20
	3	JBX3CTMC20	JBX3CTFC20		JBX3OUTLT20		

* Part numbers for removal contacts only

Contact extraction instruction

- Place the tool into the cavity from front face of the insulator
- Push on the handle
- Remove the contact.



JBX SERIES

Technical Information

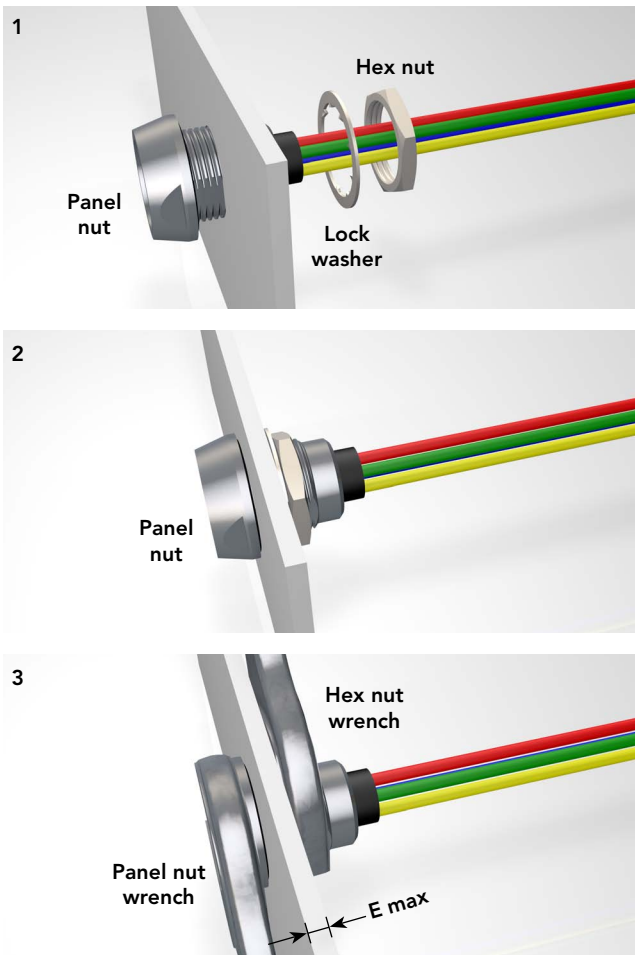
■ Receptacle Assembly Instructions	240
■ Plug Assembly Instructions	245
■ Collets Selection According to Cable Diameters	251
■ Rated Current & Working Voltage	252
■ UL94 + UL1977	253
■ What is NEMA Rating ?	257
■ Ethernet for the Layman	258

JBX Receptacle Assembly Instructions

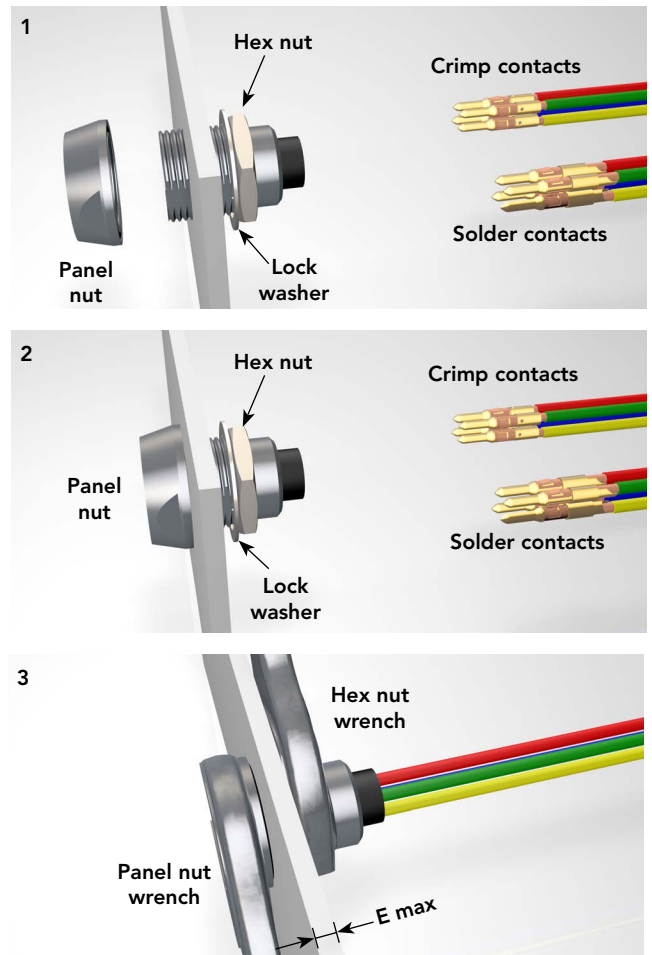
JBXEA or JBXEC Assembly (Mounting Suggestion)

- Solder or crimp contacts (see pages 231 & 232)
- Slide the lock washer and the hex nut onto the cable
- Apply thread lock to panel nut prior to assembly.
- Place the receptacle in the panel cut-out
- Insert contacts manually in the cavities for removable contacts versions
- Insert the lock washer and tighten the panel nut hand tight
- Screw the hex nut to the bulkhead
- Use two wrenches to finalize the screwing: - Maintain the panel nut wrench fixed
- Screw the hex nut
- Recommended tightening torques are shown in the table below.

Front mounting with fitted contacts



Rear mounting with separate contacts



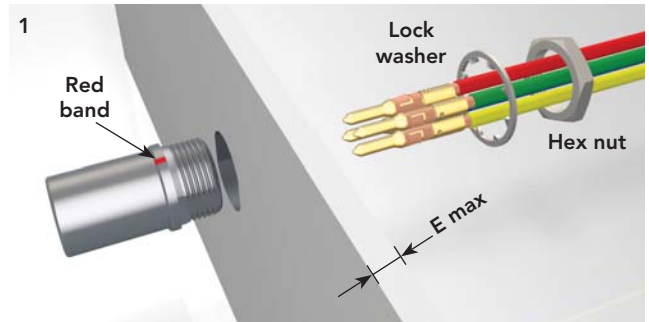
	Shell size			
	0	1	2	3
Wrench size	11	14	17	21
Tightening torque (Nm)	0.7	1.3	1.7	2
E - Panel max. thicknesses (mm)	6.7	8.3	8	9.5

Note : Assembly operations mentioned above shall not interfere or to be in contradiction with the IPC-WHMA-A-620B

JBXED Assembly (Mounting Suggestion)

- Solder or crimp contacts (see pages 231 & 232)
- Slide the lock washer and the hex nut onto the cable
- Apply thread lock to the receptacle prior to assembly.
- Place the receptacle in the panel cut-out
- Insert contacts manually in the cavities for removable contacts versions
- Insert the lock washer and tighten the panel nut hand tight
- Screw the hex nut to the bulkhead with a wrench
- Recommended tightening torques are shown in the table below.

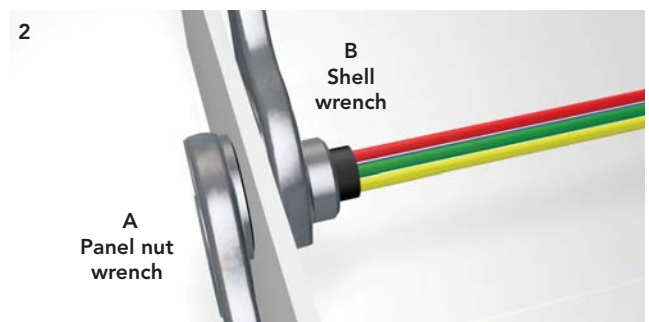
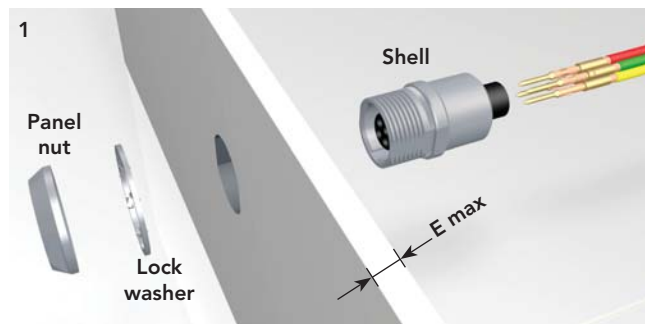
Shell size	Tightening torque (Nm) max.	Wrench size	E Panel max. thicknesses (mm)
0	0.7	11	3.0
1	1.3	14	4.5
2	1.7	17	6.3



JBXEP Assembly (Mounting Suggestion)

- Solder or crimp contacts (see pages 231 & 232)
- Place the receptacle in the panel cut-out
- Insert the washer and tighten the panel nut hand tight
- Insert contacts manually in the cavities for removable contacts versions
- Use two wrenches to finalize the screwing:
 - Maintain the receptacle with nut wrench fixed
 - Screw the panel nut
- Recommended tightening torques are shown in the table below.

Shell size	Tightening torque (Nm) max.	Wrench size		E Panel max. thicknesses (mm)
		A	B	
0	0.7	10	11	4.5
1	1.3	13	14	6.0
2	1.7	17	17	6.5



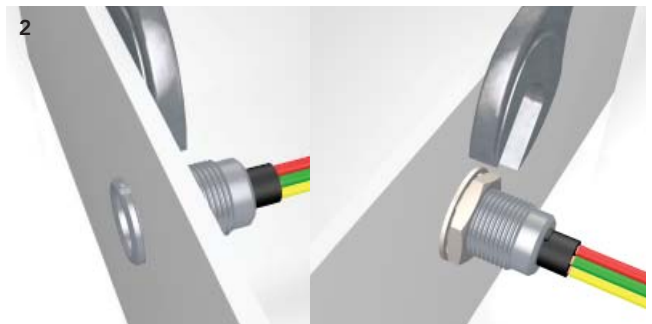
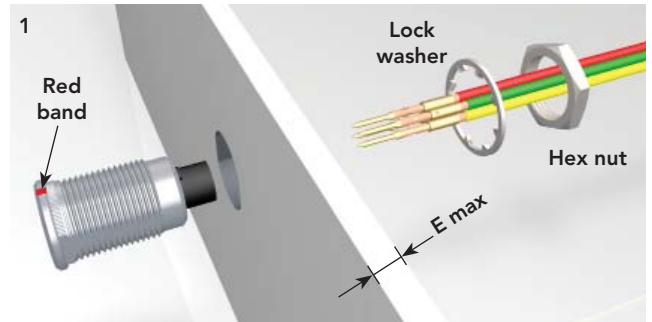
Note : Assembly operations mentioned above shall not interfere or to be in contradiction with the IPC-WHMA-A-620B

JBX Receptacle Assembly Instructions (Continued)

JBXER Assembly (Mounting Suggestion)

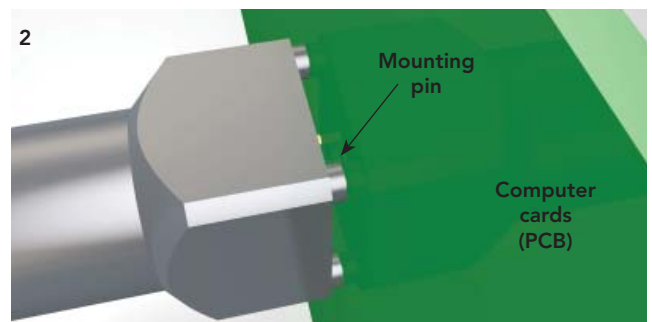
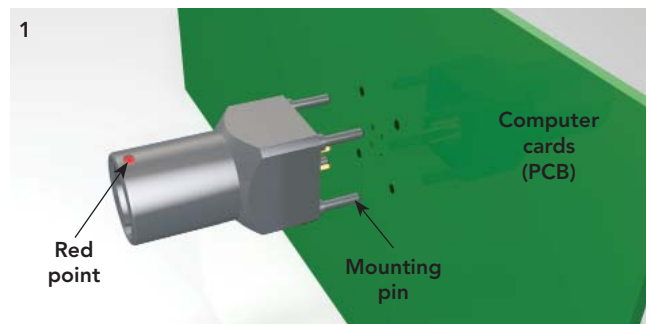
- Solder or crimp contacts (see pages 231 & 232)
- Slide the lock washer and the hex nut onto the cable
- Place the receptacle in the panel cut-out
- Insert contacts manually in the cavities for removable contacts versions
- Screw the hex nut to the bulkhead with a wrench
- Recommended tightening torques are shown in the table below.

Shell size	Tightening torque (Nm) max.	Wrench size	E Panel max. thicknesses (mm)
00	0.7	7	6.0
0	0.7	11	8.0
1	1.3	14	10.0
2	1.7	17	10.0
3	2	21	12.0



JBXEZ Assembly (Mounting Suggestion)

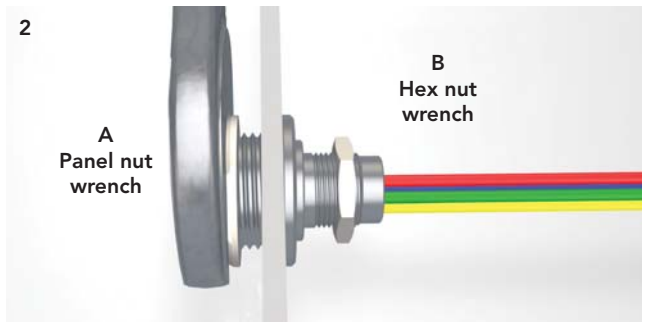
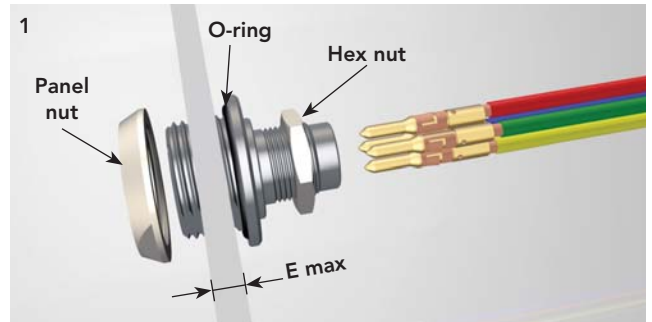
- Please refer to the customer drawing for the PCB drilling holes.



JBXHC Assembly (Mounting Suggestion)

- Solder or crimp contacts (see pages 231 & 232)
- Place the receptacle in the panel cut-out
- Apply thread lock to panel nut prior to assembly.
- Tighten the panel nut hand tight
- Insert contacts manually in the cavities for removable contacts versions
- Screw the hex nut if needed
- Screw the panel nut with a wrench
- Recommended tightening torques are shown in the table below.

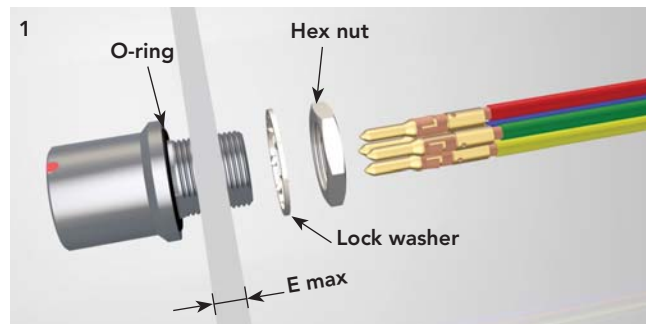
Shell size	Tightening torque (Nm) max.		Wrench size		E Panel max. thicknesses (mm)
	A	B	A	B	
0	1.7	0.7	16	11	4.0



JBXHD Assembly (Mounting Suggestion)

- Solder or crimp contacts (see pages 231 & 232)
- Slide the lock washer and the hex nut onto the cable
- Place the receptacle in the panel cut-out
- Insert contacts manually in the cavities for removable contacts versions
- Screw the hex nut to the bulkhead with a wrench
- Recommended tightening torques are shown in the table below.

Shell size	Tightening torque (Nm) max.	Wrench size	E Panel max. thicknesses (mm)
0	1.3	11	7.0



Note : Assembly operations mentioned above shall not interfere or to be in contradiction with the IPC-WHMA-A-620B

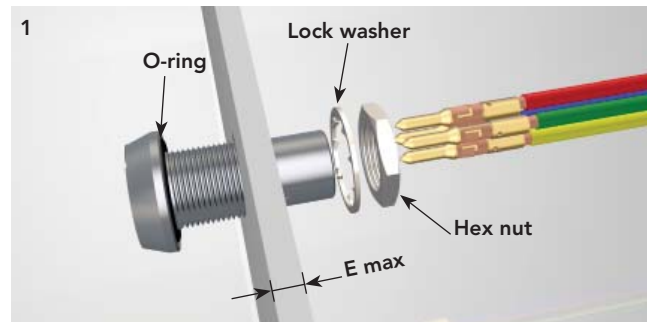
Note: all dimensions are in mm

JBX Receptacle Assembly Instructions (Continued)

JBXHH Assembly (Mounting Suggestion)

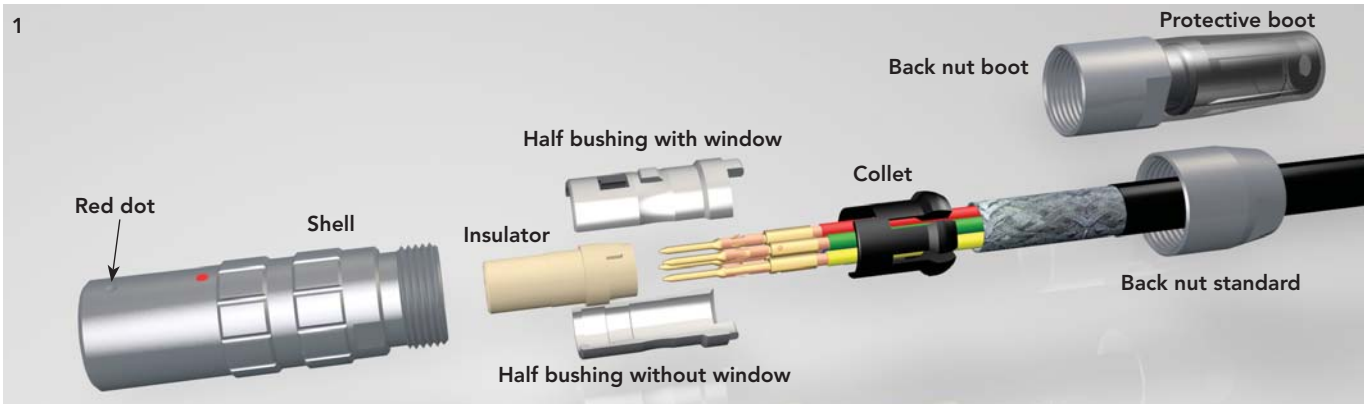
- Solder or crimp contacts (see pages 231 & 232)
- Slide the lock washer and the hex nut onto the cable
- Place the receptacle in the panel cut-out
- Insert contacts manually in the cavities for removable contacts versions
- Screw the hex nut to the bulkhead with a wrench
- Recommended tightening torques are shown in the table below.

Shell size	Tightening torque (Nm) max.	Wrench size	E Panel max. thicknesses (mm)
0	0.7	11	8.0
2	1.7	17	10.0

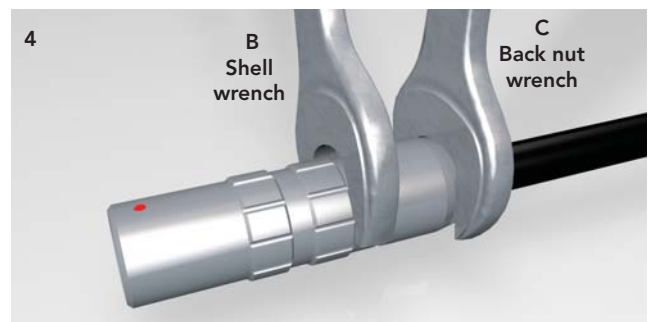


JBX Plug Assembly Instructions (Continued)

JBXPC Assembly (Mounting Suggestion)



- Slide the Protective boot/Back nut boot or the Back nut standard onto the cable
- Select the proper Collet according to the cable diameter specification (see page 251) and slide it onto the cable
- Strip external cable jacket and wire (see dimension pages 231 & 232)
- Solder or crimp contacts (see pages 231 & 232)
- Place the two half bushes on the insert making sure that the insert keyway appears through the window of the half bushing (fig. 2)
- Place the collet and the half bushes while maintaining the screen. Half bush keys must be seated in the collet keyway (fig. 3)
- If the cable has shielding, fold back the braid so that it is covering the outside diameter of the collet. Braid must be between the collet and half bushes (fig 3A)
- Place all the sub-assembly in the connector housing making sure to keep sub-assembly aligned (fig. 3). Respect the red dot and window alignment
- Install the back nut or the back nut boot and screw it on to the threads
- Use two wrenches to finalize the screwing
- Recommended tightening torques are shown in the table below.



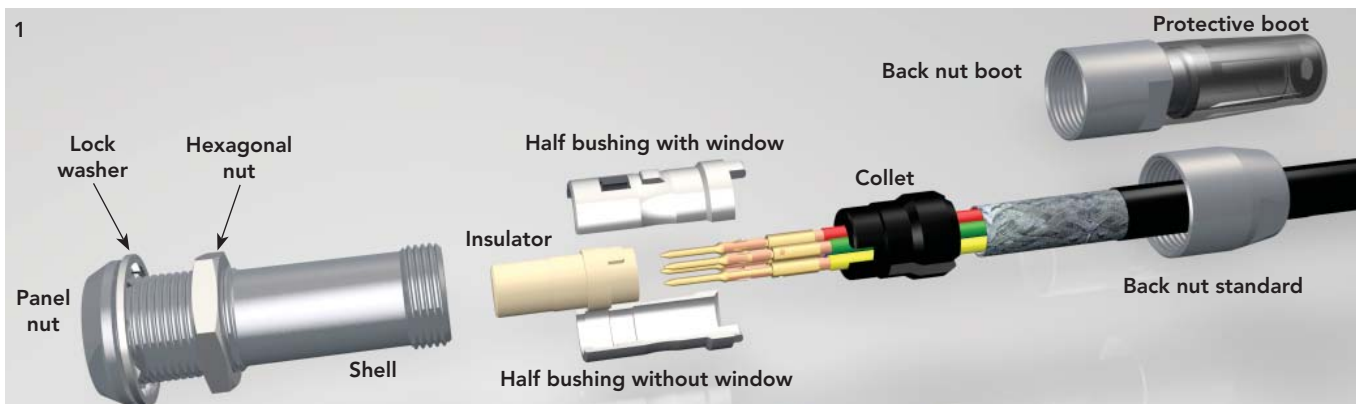
Shell size	Tightening torque (Nm) max.		Wrench size	
	B	C	B	C
0	0.8	0.8	9	8
1	1.0	1.0	11	10
2	1.5	1.5	14	13

Note : Assembly operations mentioned above shall not interfere or to be in contradiction with the IPC-WHMA-A-620B

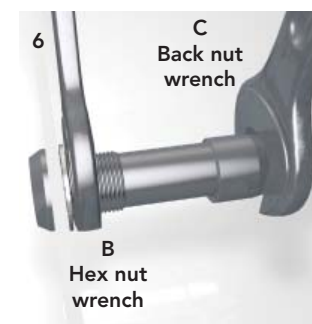
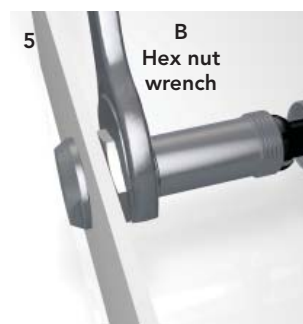
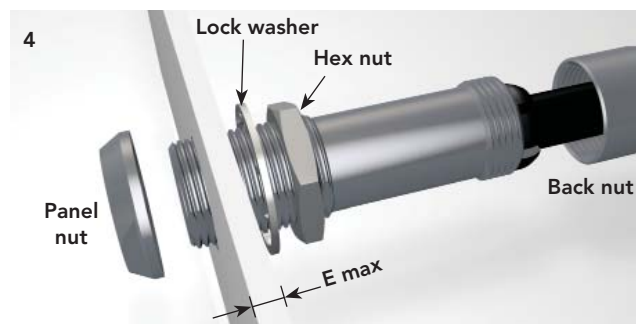
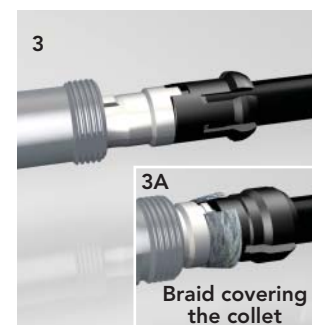
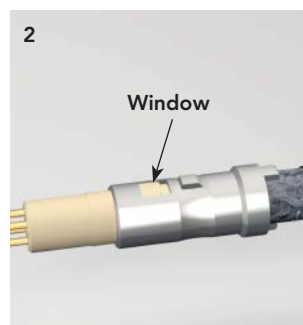
Note: all dimensions are in mm

JBX Plug Assembly Instructions (Continued)

JBXSA Assembly (Mounting Suggestion)

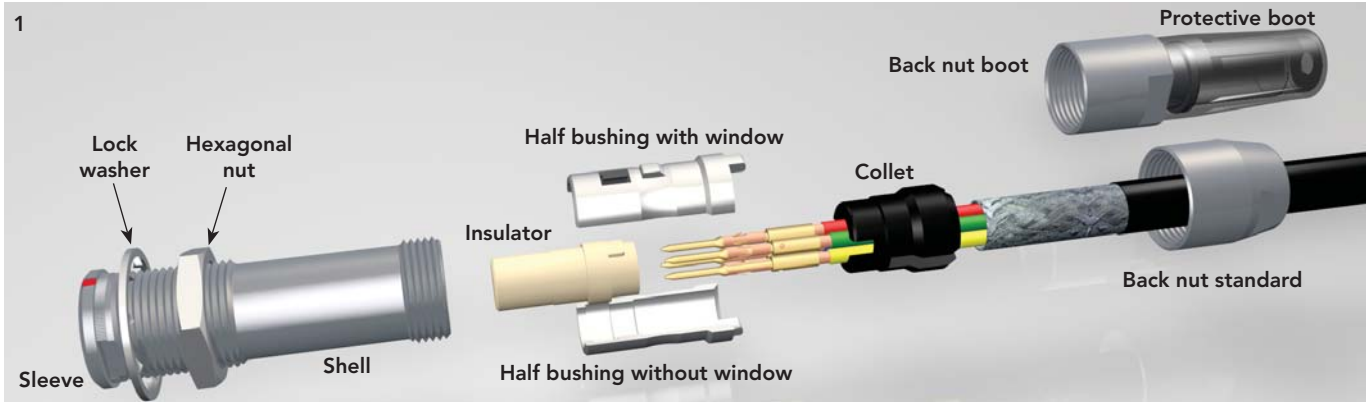


- Slide the Protective boot/Back nut boot or the Back nut standard onto the cable
- Select the proper Collet according to the cable diameter specification (see page 251) and slide it onto the cable
- Strip external cable jacket and wire (see dimension pages 231 & 232)
- Solder or crimp contacts (see pages 231 & 232)
- Place the two half bushes on the insert making sure that the insert keyway appears through the window of the half bushing (fig. 2)
- Place the collet and the half bushes while maintaining the screen. Half bush keys must be seated in the collet keyway (fig. 3)
- If the cable has shielding, fold back the braid so that it is covering the outside diameter of the collet. Braid must be between the collet and half bushes (fig 3A)
- Place all the sub-assembly in the connector housing making sure to keep sub-assembly aligned (fig. 3).
- Install the back nut or the back nut boot and screw it on to the threads
- Tighten the panel nut hand tight (fig. 4)
- Use two wrenches to finalize the screwing (fig. 5 & 6)
- Recommended tightening torques are shown in the table below.

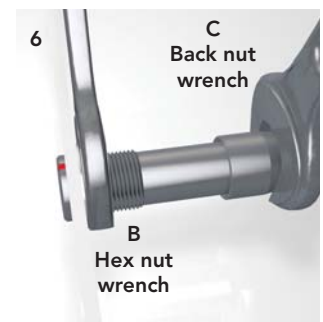
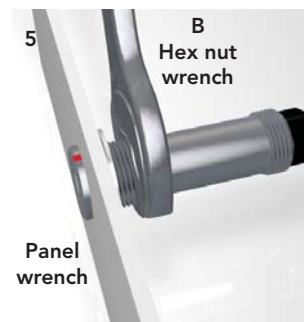
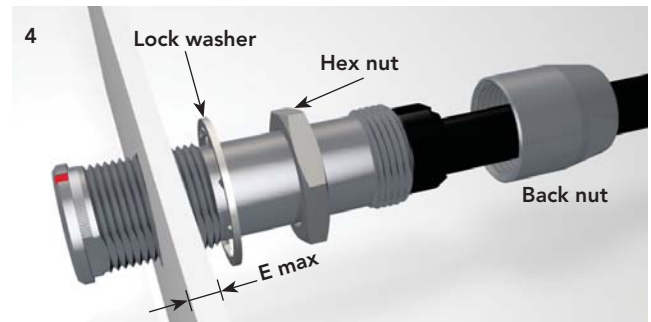
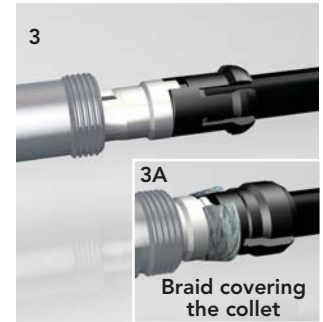
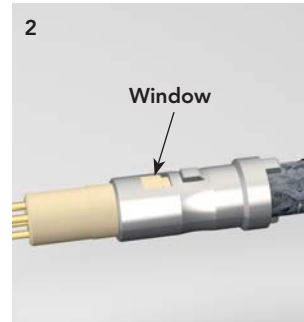


Shell size	Tightening torque (Nm) max.		Wrench size		E Panel max. thicknesses (mm)
	B	C	B	C	
2	1.7	1.5	17	13	6.5

JBXSR Assembly (Mounting Suggestion)



- Slide the Protective boot/Back nut boot or the Back nut standard onto the cable
- Select the proper Collet according to the cable diameter specification (see page 251) and slide it onto the cable
- Strip external cable jacket and wire (see dimension pages 231 & 232)
- Solder or crimp contacts (see pages 231 & 232)
- Place the two half bushes on the insert making sure that the insert keyway appears through the window of the half bushing (fig. 2)
- Place the collet and the half bushes while maintaining the screen. Half bush keys must be seated in the collet keyway (fig. 3)
- If the cable has shielding, fold back the braid so that it is covering the outside diameter of the collet. Braid must be between the collet and half bushes (fig 3)
- Insert the receptacle in the panel cut out, respect the orientation (fig. 4)
- Place all the sub-assembly in the connector housing making sure to keep sub-assembly aligned (fig. 4). Respect the red dot and window alignment.
- Install the back nut or the back nut boot and screw it on to the threads
- Screw the hex nut with a wrench (fig. 5)
- Use two wrenches to finalize the screwing (fig. 6)
- Recommended tightening torques are shown in the table below.



Shell size	Tightening torque (Nm) max.		Wrench size		E Panel max. thicknesses (mm)
	B	C	B	C	
0	0.7	0.8	11	8	8.0
1	1.3	1.0	14	10	10.0
2	1.7	1.5	17	13	10.0
3	2.0	2.0	21	15	12.0

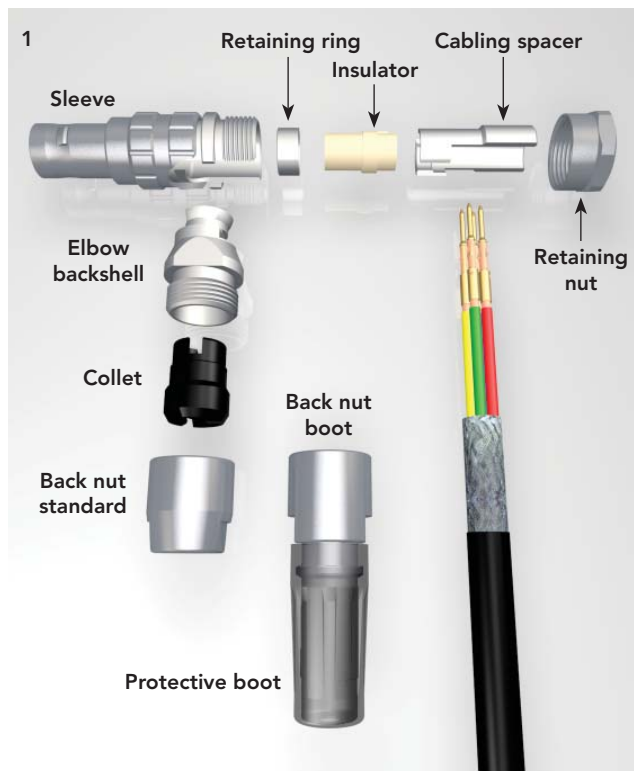
Note : Assembly operations mentioned above shall not interfere or to be in contradiction with the IPC-WHMA-A-620B

Note: all dimensions are in mm

JBX Plug Assembly Instructions (Continued)

JBXFC & JBXFM Assembly (Mounting Suggestion)

- Slide the Protective boot/Back nut boot or the Back nut standard onto the cable
- Select the proper Collet according to the cable diameter specification (see page 251) and slide it onto the cable (fig. 2)
- Slide the Elbow backshell onto the cable (fig. 2)
- If the cable has shielding, fold back the braid so that it is covering the outside diameter of the collet. Braid must be between the collet and half bushes (fig 2A)
- Strip external cable jacket and wire (see dimension pages 231 & 232)
- Solder or crimp contacts (see pages 231 & 232)
- Place the cabling spacer onto the cables
- Insert the contacts into the insulator.
- Slide the Cabling spacer on the Insulator (fig. 3)
- Slide the Retaining ring on the Insulator (fig. 3)
- Position the wires at 90° then place the assembly (Elbow backshell + Cabling spacer + Insulator) inside the sleeve (fig. 3)
- Ensure that the milled flat of the elbow outlet is facing to the rear of the plug housing (fig. 4)
- Tighten the retaining nut with a wrench (fig. 5)
- Install the back nut or the back nut boot and screw it on to the thread
- Use two wrenches to finalize the screwing (fig. 6)
- Recommended tightening torques are shown in the table below.



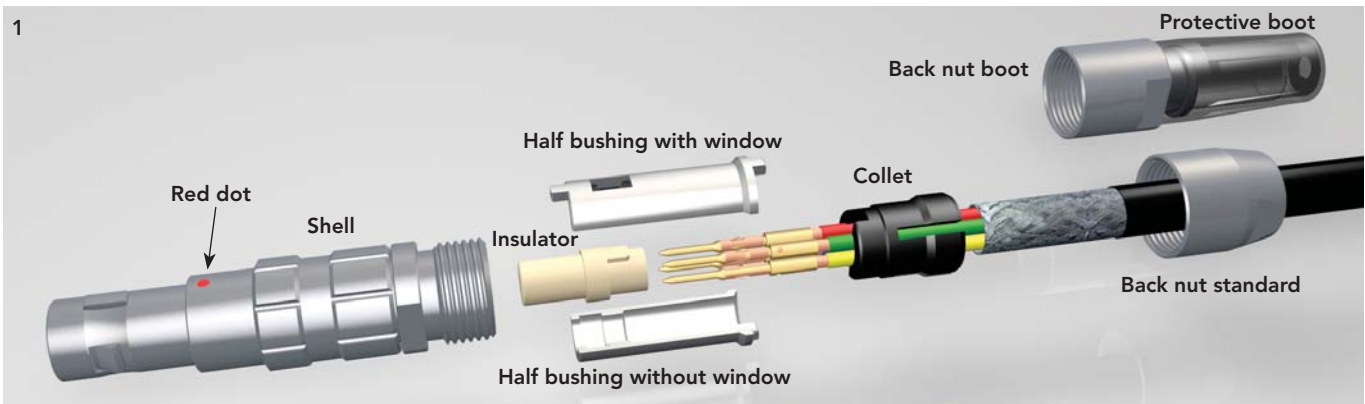
Shell size	Tightening torque (Nm) max.			Wrench size		
	A	B	C	A	B	C
0	0.4	-	0.8	10	8	8
1	0.4	-	1.0	12	10	10
2	0.5	-	1.5	15	13	13
3	0.5	-	2.0	17	15	15



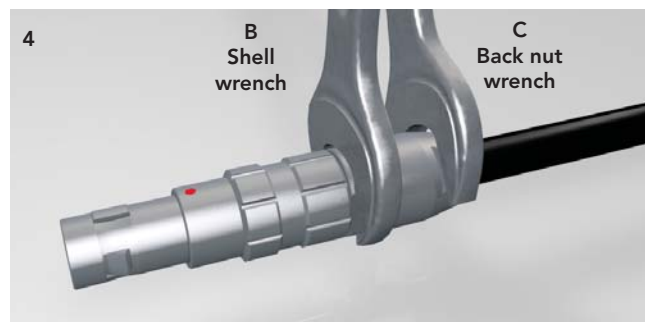
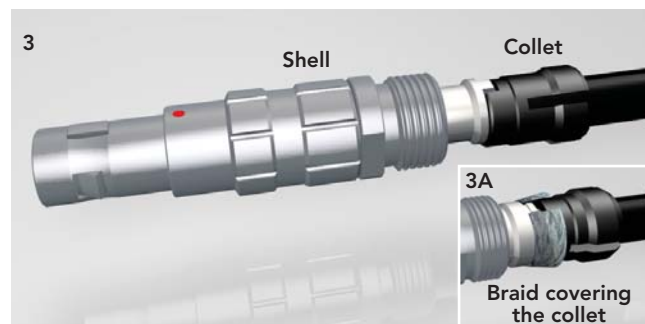
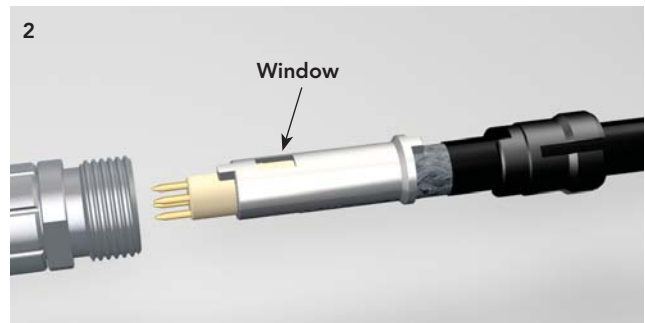
Note: all dimensions are in mm

Note : Assembly operations mentioned above shall not interfere or to be in contradiction with the IPC-WHMA-A-620B

JBXFD, JBXFG, JBXFN & JBXFH Assembly (Mounting Suggestion)



- Slide the Protective boot/Back nut boot or the Back nut standard onto the cable
- Select the proper Collet according to the cable diameter specification (see page 251) and slide it onto the cable
- Strip external cable jacket and wire (see dimension pages 231 & 232)
- Solder or crimp contacts (see pages 231 & 232)
- Place the two half bushes on the insert making sure that the insert keyway appears through the window of the half bushing (fig. 2)
- Place the collet and the half bushes while maintaining the screen. Half bush keys must be seated in the collet keyway (fig. 3)
- If the cable has shielding, fold back the braid so that it is covering the outside diameter of the collet. Braid must be between the collet and half bushes (fig 3A)
- Place all the sub-assembly in the connector housing making sure to keep sub-assembly aligned (fig. 3). Respect the red dot and window alignment
- Install the back nut or the back nut boot and screw it
- Use two wrenches to finalize the screwing
- Recommended tightening torques are shown in the table below.



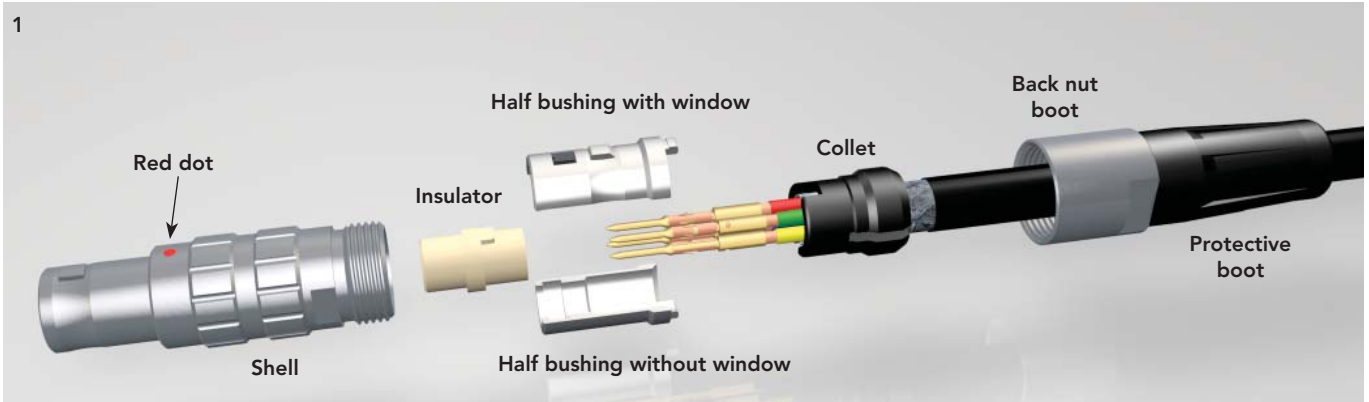
Shell size	Tightening torque (Nm) max.		Wrench size	
	B	C	B	C
00	-	0.7	6	6
0	-	0.8	9	8
1	-	1.0	11	10
2	-	1.5	14	13
3	-	2.0	16	15

Note : Assembly operations mentioned above shall not interfere or to be in contradiction with the IPC-WHMA-A-620B

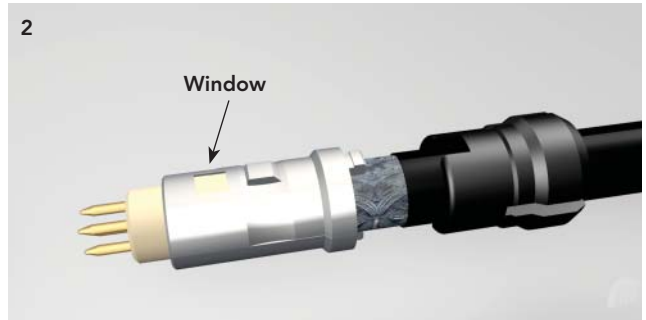
Note: all dimensions are in mm

JBX Plug Assembly Instructions (Continued)

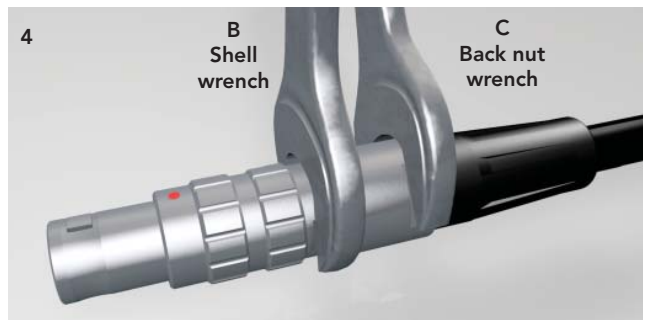
JBXFF Assembly (Mounting Suggestion)



- Slide the Protective boot/Back nut boot or the Back nut standard onto the cable
- Select the proper Collet according to the cable diameter specification (see page 251) and slide it onto the cable
- Strip external cable jacket and wire (see dimension pages 231 & 232)
- Solder or crimp contacts (see pages 231 & 232)
- Place the two half bushes on the insert making sure that the insert keyway appears through the window of the half bushing (fig. 2)
- Place the collet and the half bushes while maintaining the screen. Half bush keys must be seated in the collet keyway (fig. 3)
- If the cable has shielding, fold back the braid so that it is covering the outside diameter of the collet. Braid must be between the collet and half bushes (fig 3A)
- Place all the sub-assembly in the connector housing making sure to keep sub-assembly aligned (fig. 3). Respect the red dot and window alignment
- Install the back nut or the back nut boot and screw it
- Use two wrenches to finalize the screwing
- Recommended tightening torques are shown in the table below.



Shell size	Shell wrench		Back nut wrench	
	Size	Torque (Nm)	Size	Torque (Nm)
1	10	-	10	1.0



Note: all dimensions are in mm

Note : Assembly operations mentioned above shall not interfere or to be in contradiction with the IPC-WHMA-A-620B

Collets Selection According to Cable Diameters



Collet number	Cable diameter (mm)				
	Shell size 00	Shell size 0	Shell size 1	Shell size 2	Shell size 3
1	1.1 to 1.9	1.5 to 2.5	2.0 to 2.5	3.5 to 4.7	4.9 to 6.0
2	2.0 to 2.8	2.6 to 3.5	2.6 to 3.5	4.8 to 5.7	6.1 to 7.2
3	2.9 to 3.5	3.6 to 4.5	3.6 to 4.5	5.8 to 6.7	7.3 to 8.4
4	-	4.6 to 5.5	4.6 to 5.5	6.8 to 7.7	8.5 to 9.6
5	-	-	5.6 to 6.6	7.8 to 8.7	9.7 to 10.8
6	-	-	6.7 to 7.5	8.8 to 9.7	10.9 to 12.0

Note: all dimensions are in mm

Rated Current & Working Voltage

Current Carrying Capacity

The current carrying capacity of a connector is limited by the thermal properties of materials used in its construction. The amount of current that can be handled depends on the size of cable used, the ambient temperature and the heat that is generated inside the connector. Part 3 of the IEC 60512 standard determines through a derating curve, the maximum current permissible, which varies from one layout to another (Fig.1 & Fig.2). Wire size plays an important role in dissipating heat and avoid overheating (Fig.1 & Fig.3).

Please note that the curve should be adjusted when dealing with potential hot spots, which can occur as a result of unequal loading of current across a number of contacts. As a general rule, it is best to avoid placing power handling contacts in the middle of the connector; try to locate them towards the edge where heat can be dissipated more effectively. Eventually you should find a level which represents the permissible operating range:

Fig.1: JBX2-001 (Power Derating curve - Signal Contact Fixed at 2A)



Connector rating:

- Power Contact : 26A at 30°C T-Rise
- Signal Contact : 2A

Signal Contact (cable awg 26) is powered at 2A
Power Contact (cable awg 16): 0 to 35 A

8 contacts

2A 700V
6 x Ø 1.3
2 x Ø 2.0

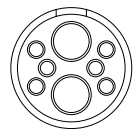
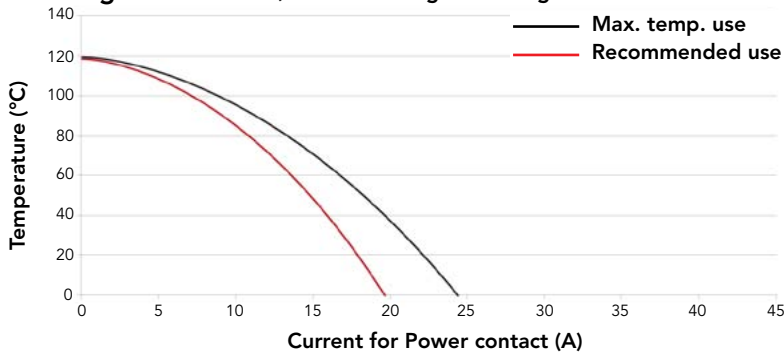


Fig.2: JBX2-001(Power Derating curve - Signal Contact Fixed at 2A)



Connector rating:

- Power Contact: 17A at 30°C T-Rise
- Signal Contact: 2A

Signal Contact (cable awg 26) is powered at 2A,
Power Contact (cable awg 20): 0 to 25 A

9 contacts

2A 700V
6 x Ø 0.7
3 x Ø 1.3

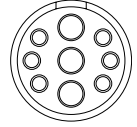
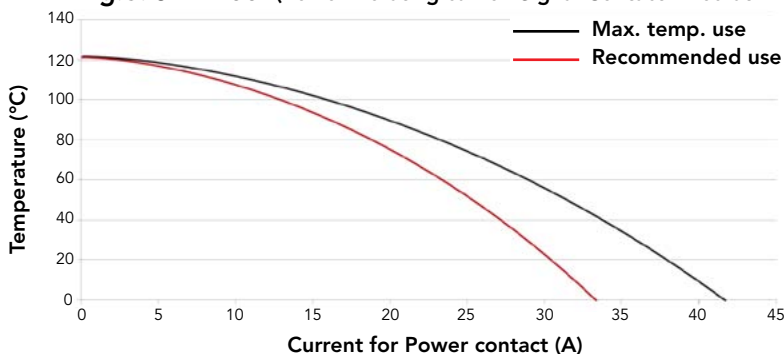


Fig.3: JBX2-001(Power Derating curve - Signal Contact Fixed at 2A)



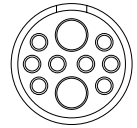
Connector rating:

- Power Contact: 26A at 30°C T-Rise
- Signal Contact: 2A

Signal Contact (cable awg 26) is powered at 2A,
Power Contact (cable awg 18): 0 to 40 A

10 contacts

2A 700V
8 x Ø 0.7
2 x Ø 1.6



The **rated current** is defined as uninterrupted continuous current that a connector can take when all contacts are energized simultaneously without exceeding the maximum limit of temperature. The earth contact is never loaded.

Shielding Effectiveness/Corrosion

Shielding Effectiveness

EMC (Electro-Magnetic Compatibility) means a device (e.g. a connector) can tolerate interferences and continue to work properly.
 It's generally measured via the shielding effectiveness.
 This value is a ratio between the power radiated inside to the maximum power interferences outside.

$$(dB) = 10 \log \frac{P_{in}}{P_{out}}$$

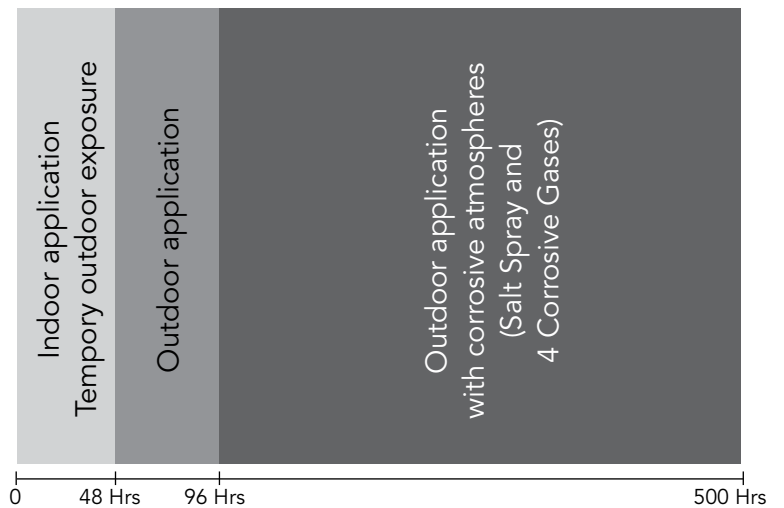
Pin: Power in
 Pout: Power out



Corrosion Resistance

Control of corrosion impact on electronic devices is an important expertise. Metal connectors suitable for outdoor and indoor use should be able to withstand climate ingress, exposure to salt spray and corrosive gases while still maintaining mechanical and electrical functionality.

Over the years, many different test methods have been developed but never really captured the exact equivalence between testing scenarios and real electronic device exposure to corrosive environments. SOURIAU has been developing, manufacturing and testing connector solutions for more than 90 years and has developed a unique corrosion test based on Salt Spray exposure combined with four additional corrosive gases. Typical industrial applications may involve exposure to corrosive atmospheres equivalent to 48 or 96 hours. SOURIAU's JBX product series has been validated to withstand corrosive agent exposure at these timeframes. In addition, we can offer different solutions and plating options to withstand longer corrosion exposure times and test up to 500 hours.



UL94 + UL1977



There are two main standards for industrial connectors: UL94 & UL1977

UL94

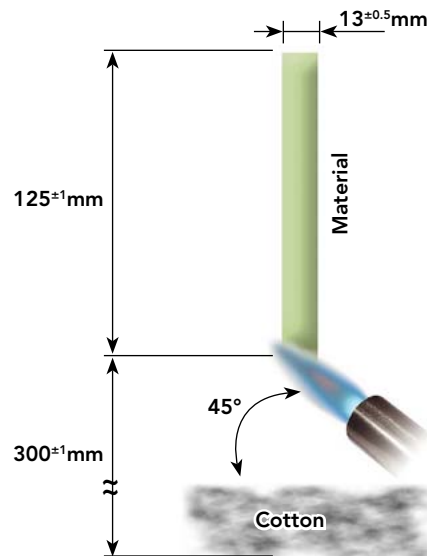
This standard is dedicated to plastics flammability. It characterizes how the material burns in various orientation and thicknesses.

The JBX series has been rated at **V-0** & **HB**.

Procedure: A specimen is supported in a vertical or horizontal position and a flame is applied to the bottom of the specimen. The flame is applied for ten seconds and then removed until flaming stops, at which time the flame is reapplied for another ten seconds and then removed. Two sets of five specimens are tested.

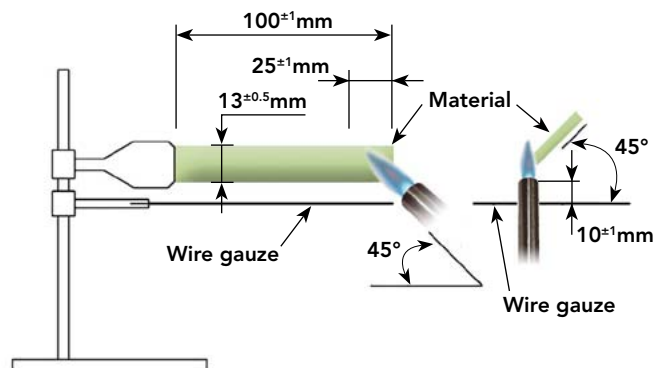
V-0 Vertical burning:

- Specimens must not burn with flaming combustion for more than 10 seconds after each test flame application
- Total flaming combustion time must not exceed 50 seconds for each set of 5 specimens
- Specimens must not burn with flaming or glowing combustion up to the specimen holding clamp
- Specimens must not drip flaming particles that ignite the cotton
- No specimen can have glowing combustion remain for longer than 30 seconds after removal of the test flame.



HB Horizontal burning:

- A material classified HB shall not have a burning rate exceeding 40 mm per minute over a 75 mm span for specimens having a thickness of 3.0 to 13 mm
- A material classified HB shall not have a burning rate exceeding 75 mm per minute over a 75 mm span for specimens having a thickness less than 3.0 mm
- A material classified HB shall cease to burn before the 100 mm reference mark.



UL1977

There are several standards which deal with plug and receptacle. Each of them is only for a small area of applications. It could be telecommunication, etc. The UL 1977 covers single and multipole connectors intended for factory assembly.

Requirements apply to devices taking into account intensity and voltage. The categories are as follows:

	0	30 V (42 V peak)	600 V
0	Type 0		Type 1A
8.3 A	Type 1B		Type 2
31 A			Type 3
200 A	Type 4		
1000 A			

According to above table, the level of performance that has to be reached could be different. Most of them are explained in the following page.

Insulating materials:

Material uses for electrical insulation, as a minimum, have to comply with the characteristics shown below:

- Minimum ratings for polymeric materials

Type	Flame rating	Relative thermal index (RTI) Electrical/mechanical w/o impact **/**
0	-	50/50
1A	HB	50/50
1B	HB	50/50
2	HB	50/50
3	HB	50/50
4	HB	50/50

* The RTI of the material shall not be lower than the temperature measured during the Temperature Test.

** For a thickness less than that for which a value has been established, the RTI of the minimum thickness with an established value shall be used.

Assembly:

Connector has to be keyed to prevent any mismatching that can damage the machine or hurt the user. In the same way, plugs and sockets have to be equipped to protect persons against contact with live parts.

Finally the identified grounding contact shall be located so that the corresponding electrical continuity has to be completed before any other contact.

UL94 + UL1977 (Continued)



UL1977

Spacing:

For a 250V max connector, distance through air or over material shall be 1.2mm whereas from 250V to 600V connector the spacing is 3.2mm minimum. These distances have to be taken between uninsulated live parts as shown in the matrix below:

• **Applicability of spacing requirements**

Type	Uninsulated live part - uninsulated live part of opposite polarity	Uninsulated live part - uninsulated grounded metal part	Uninsulated live part - exposed dead metal part
0	No	No	No
1A	Yes	Yes	Yes
1B	Yes	Yes	No
2	Yes	Yes	Yes
3	Yes	Yes	Yes
4	Yes	Yes	Yes

An alternative way to determine voltage rating is with the Dielectric-Withstand test. If during one minute there is no arc-over or breakdown the rated voltage is given as shown below:

- a) 500 volts for a type 1B device
- b) 1000 volts plus twice rated voltage for types 1A, 2, 3 and 4 devices.

Marking:

A device shall be legibly marked with the manufacturer's trade name, trade mark, or other descriptive marking by which the organization responsible for the product may be identified. (Exception: If the device is too small, or where the legibility would be difficult to attain, the manufacturer's name, trademark, or other descriptive marking may appear on the smallest unit container or carton)

The following shall be marked on the device or on the smallest unit container or carton or on a stuffer sheet in the smallest unit container or carton:

- a) The catalog number or an equivalent designation
- b) The electrical rating in both volts and amperes, if assigned
- c) Whether ac or dc, if restricted
- d) Flammability class, if identified

Example - Marking for the arrangement 10-3: 10A 500V UL94 V-0

What is NEMA Rating ?

- NEMA ratings vs IP ratings

Whereas IP ratings only consider protection against ingress of foreign bodies (first digit) and ingress of water (second digit), NEMA ratings consider these but also verify protection from external ice, corrosive materials, oil immersion, etc.

The correlation between NEMA & IP being limited only to dust and water, we can state that a NEMA type is equivalent to an IP rating but it is not possible to say the contrary.

Below a list of some NEMA standards:

Enclosure rating	IP20	IP22	IP55	IP64	IP65	IP66	IP67
Type 1	•						
Type 3				•			
Type 3R		•					
Type 3S				•			
Type 4						•	
Type 4X						•	
Type 6							•
Type 12			•				
Type 13					•		

• indicates compliance

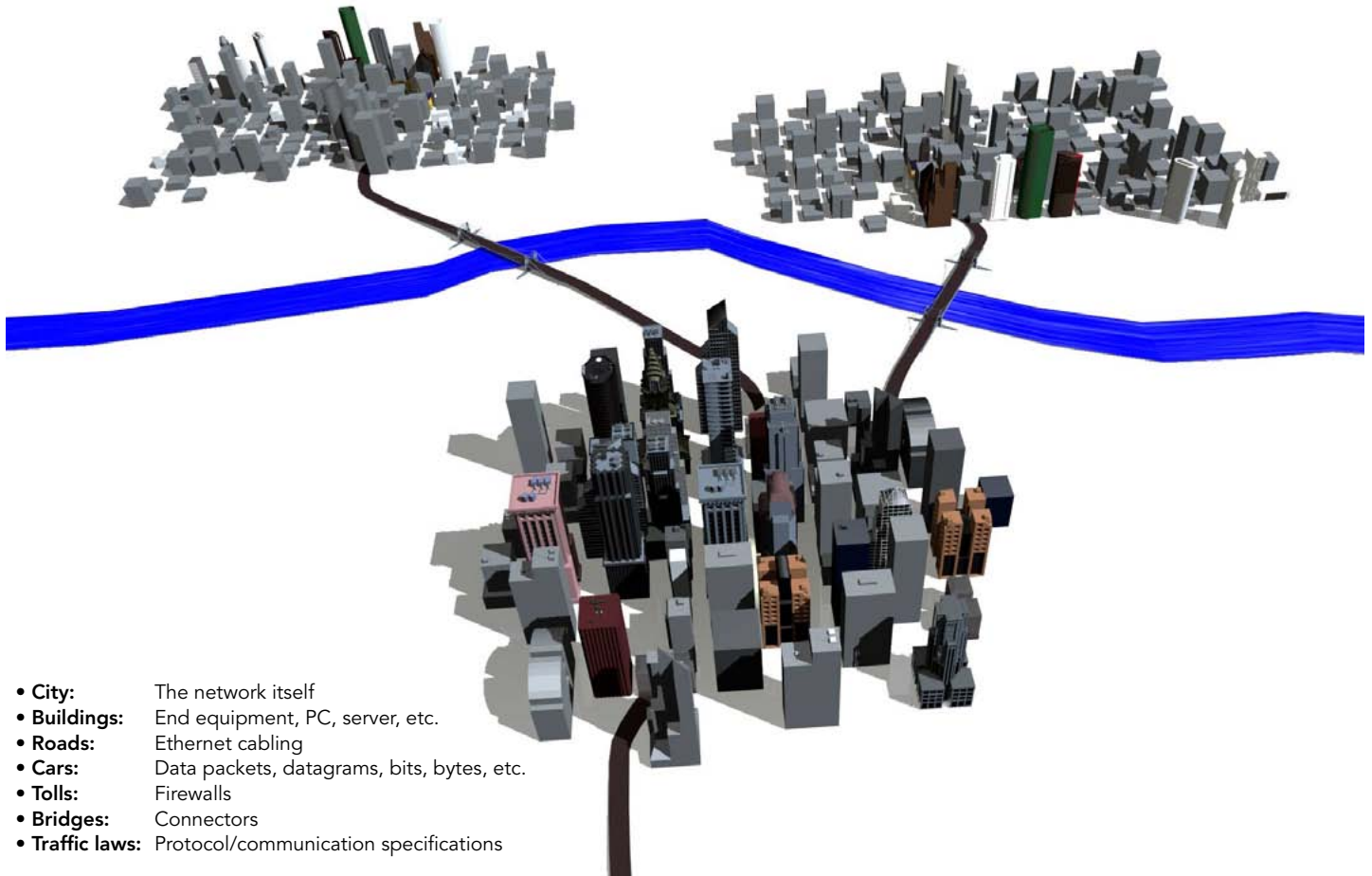


Type 6 rating can be either Type 6 or Type 6P - please see below:

6	IP67	Enclosures constructed for either indoor or outdoor use to provide a degree of protection to personnel against incidental contact with the enclosed equipment, falling dirt, hose-directed water, the entry of water during occasional temporary submersion at a limited depth and damage from external ice formation.
6P	IP67	Enclosures constructed for either indoor or outdoor use to provide a degree of protection to personnel against incidental contact with the enclosed equipment, falling dirt, hose-directed water, the entry of water during prolonged submersion at a limited depth and damage from external ice formation.

Ethernet for the Layman

In order to explain basic Ethernet theory, we can use a functional comparison to a busy city with highways, buildings and cars. To illustrate this, the table below provides correlation between the different components/pieces/links that encompass Ethernet network connectivity, and the larger scale infrastructure of a metropolitan city.



- **City:** The network itself
- **Buildings:** End equipment, PC, server, etc.
- **Roads:** Ethernet cabling
- **Cars:** Data packets, datagrams, bits, bytes, etc.
- **Tolls:** Firewalls
- **Bridges:** Connectors
- **Traffic laws:** Protocol/communication specifications

Ethernet Basics

Ethernet is a widely used communications protocol that is used to transmit data packets (datagrams) between network devices. Imagine a highway in a large metropolitan area six lanes wide at rush hour. The vehicles on the highway need rules to follow so that they get to their destination without crashing into each other. In an Ethernet network link, there could be 100 million bits of information transmitted in one second. In the Ethernet standard, there exist rules to govern packet structure, transmission requirements, error correction, communication with end equipment, etc.

Examining the differences between 100Mhz, 100 Base TX, Cat5e/Cat6. What does it all mean?

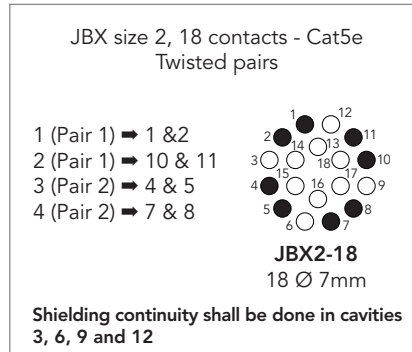
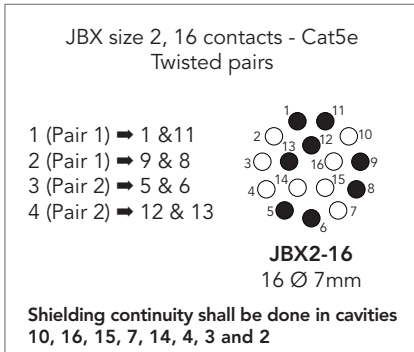
When discussing connectors and Ethernet, there are a few key details to be aware of:

- 100Mhz is a measurement of Frequency for the signal
 - Comparable to the Speed Limit of a highway
- 100BaseTX (or Fast Ethernet) is an Ethernet link standard and identifies available link bandwidth. The bandwidth is measured in units of Mbits/S (megabits per second)
 - Comparable to the number of cars that pass a point in one second
- Cat5e/Cat6 are an EIA/TIA standard for performance and physical characteristics for cables and connectors
 - Comparable to performance specifications of the car and highway.

In connectors and cables, Fast Ethernet uses 2 pairs. One for transmit and one for receive. This way data traffic can flow in both directions simultaneously.

Souriau offering:

Standard solutions.



Conclusion

To carry 100Mb/s data signal, 100BaseTX or Fast Ethernet recommends the use of Cat5e connectors as well as Cat5e cable with the support of a 100MHz signal. Nevertheless, a 100Mb/s signal can be transmitted in certain conditions (short distance, only one connector, lower frequency but a different code) thru many other connection materials - not necessarily Cat5e rated.

JBX SERIES

Appendices

■ Glossary of Terms	262
■ Drilling Pattern	263
■ Part Number Index	271

Glossary of Terms

- **Clearance**

Per the IEC 60664-1 it is the shortest distance between two conductive parts even over the air.

- **Creepage distance**

Per the IEC 60664-1 it represents the shortest distance along the surface of the insulating material between two conductive parts.

- **Working voltage**

Per the IEC 60664-1 it is the highest r.m.s. value of A.C. or D.C. voltage across any particular insulation which can occur when the equipment is supplied at rated voltage.

- **Rated impulse voltage**

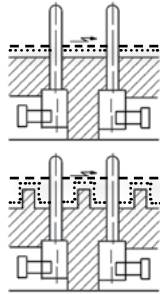
Impulse withstands voltage value assigned by the manufacturer to the equipment or to a part of it characterizing the specified withstand capability of its insulation against transient overvoltage.

- **Working current**

It is the maximum continuous and not interrupted current able to be carried by all contacts without exceeding the maximum temperature of the insulating material.

- **Transient voltage**

Extract from the IEC 60664-1: Short duration overvoltage of a few millisecond or less, oscillatory or non-oscillatory, usually highly damped.



— — — — — Air gap
 Creepage distance

- **CTI (Comparative Tracking Index)**

The CTI value is commonly used to characterize the electrical breakdown properties of an insulating material. It allows users to know the tendency to create creepage paths. This value represents the maximum voltage after 50 drops of ammonium chloride solution without any breakdown.

- **RTI (Relative temperature Index):**

Extract from ULs website:

Maximum service temperature for a material, where a class of critical property will not be unacceptably compromised through chemical thermal degradation, over the reasonable life of an electrical product, relative to a reference material having a confirmed, acceptable corresponding performance defined RTI.

- **RTI Elec:** Electrical RTI, associated with critical electrical insulating properties.
- **RTI Mech Imp:** Mechanical Impact RTI, associated with critical impact resistance, resilience and flexibility properties.
- **RTI Mech Str:** Mechanical Strength (Mechanical without Impact) RTI, associated with critical mechanical strength where impact resistance, resilience and flexibility are not essential.

Drilling Pattern - Female Insulator

Shell Size	Dimensions (mm)	
0	<h3>Straight PCB Contacts</h3> <div style="display: flex; justify-content: space-around;"> <div data-bbox="365 436 592 703"> <p>JBX0-02</p> </div> <div data-bbox="755 436 1063 703"> <p>JBX0-03</p> </div> <div data-bbox="1144 436 1469 703"> <p>JBX0-04</p> </div> </div>	
	<div style="display: flex; justify-content: space-around;"> <div data-bbox="365 756 649 1050"> <p>JBX0-05</p> </div> <div data-bbox="755 756 1063 1050"> <p>JBX0-06</p> </div> <div data-bbox="1144 756 1469 1050"> <p>JBX0-07</p> </div> </div>	
<p>JBX0-08</p>	<h3>90° PCB Contacts</h3> <div style="display: flex; justify-content: space-around;"> <div data-bbox="844 1270 1023 1522"> <p>JBX0-02</p> </div> <div data-bbox="1144 1228 1396 1543"> <p>JBX0-03</p> </div> </div> <div style="display: flex; justify-content: space-around; margin-top: 20px;"> <div data-bbox="771 1606 1015 1942"> <p>JBX0-04</p> </div> <div data-bbox="1112 1606 1502 1942"> <p>JBX0-05</p> </div> </div>	
<h3>Mounting Pins</h3>		

Drilling Pattern - Female Insulator (Continued)

Shell Size	Dimensions (mm)		
1	Straight PCB Contacts		
	JBX1-02	JBX1-03	JBX1-04
	JBX1-05	JBX1-06	JBX1-07
	JBX1-08	JBX1-10	JBX1-12

Shell Size	Dimensions (mm)		
1	90° PCB Contacts		
	<p>JBX1-03</p>	<p>JBX1-04</p>	<p>JBX1-05</p>
	<p>JBX1-06</p>	<p>JBX1-07</p>	
	<p>JBX1-08</p>		<p>Mounting Pins</p>

Drilling Pattern - Female Insulator (Continued)

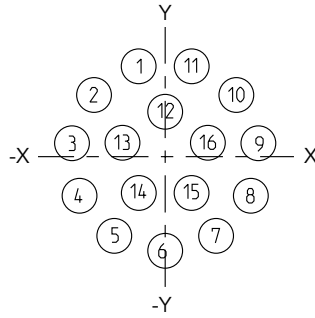
Shell Size	Dimensions (mm)
2	<p>Straight PCB Contacts</p>
	<p>JBX2-04</p>
	<p>JBX2-05</p>
	<p>JBX2-06</p>
	<p>JBX2-07</p>
	<p>JBX2-08</p>
	<p>JBX2-10</p>
<p>JBX2-12</p>	

Shell Size

Dimensions (mm)

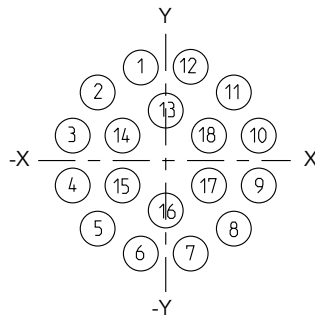
Straight PCB Contacts

JBX2-16



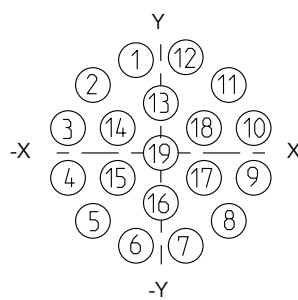
Rep	1	2	3	4	5	6	7	8	9	10	11	12	13	14	15	16
X	-0.92	-2.48	-3.24	-2.98	-1.77	0	1.77	2.98	3.24	2.48	0.92	0	-1.47	-0.91	0.91	1.47
Y	3.14	2.15	0.48	-1.36	-2.76	-3.28	-2.76	-1.36	0.47	2.15	3.14	1.55	0.48	-1.25	-1.25	0.48

JBX2-18



Rep	1	2	3	4	5	6	7	8	9	10	11	12	13	14	15	16	17	18
X	-0.86	-2.35	-3.21	-3.21	-2.35	-0.86	0.86	2.35	3.21	3.21	2.35	0.86	0	-1.49	-1.49	0	1.49	1.49
Y	3.21	2.35	0.86	-0.86	-2.35	-3.21	-3.21	-2.35	-0.86	0.86	2.35	3.21	1.73	0.86	-0.86	-1.73	-0.86	0.86

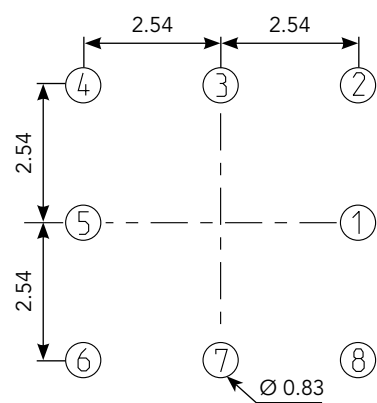
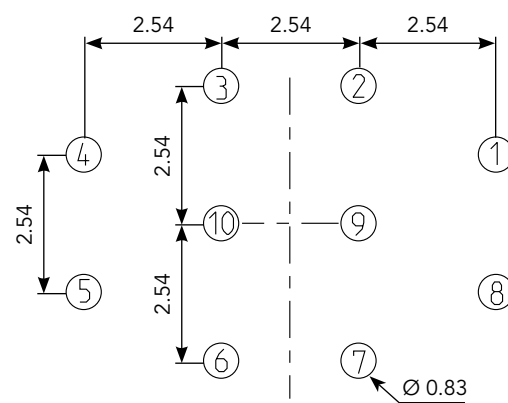
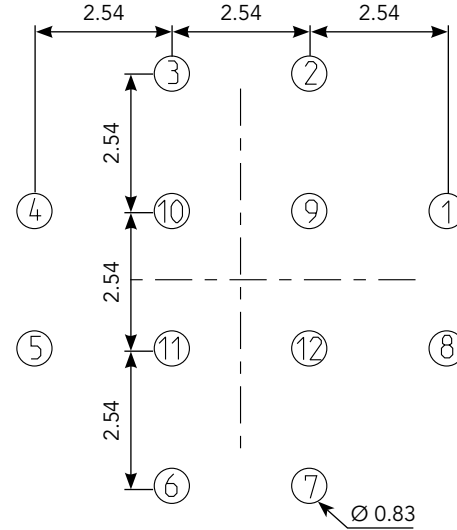
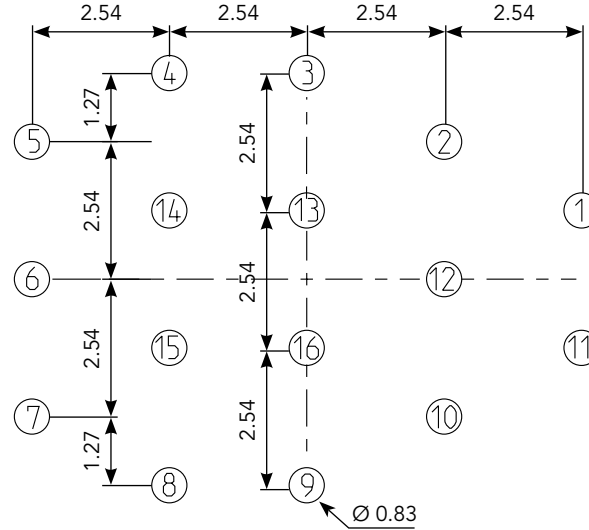
JBX2-19

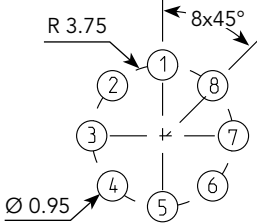
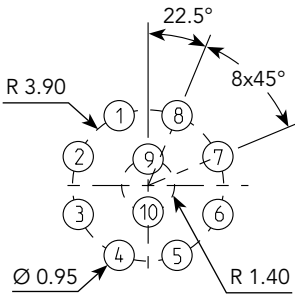
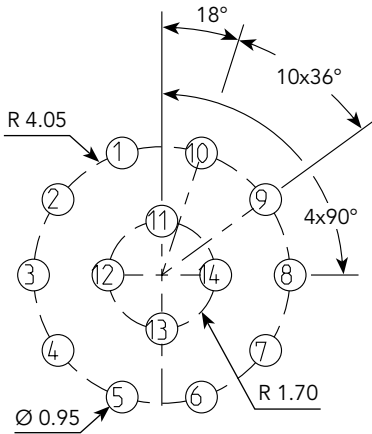
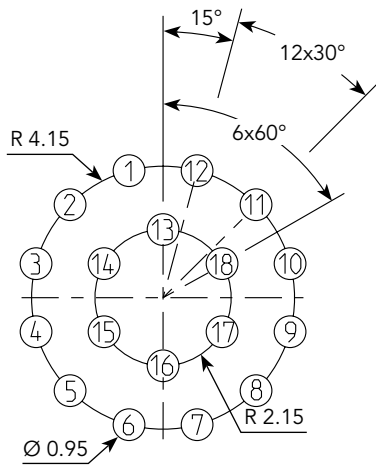


Rep	1	2	3	4	5	6	7	8	9	10	11	12	13	14	15	16	17	18	19
X	-0.86	-2.35	-3.21	-3.21	-2.35	-0.86	0.86	2.35	3.21	3.21	2.35	0.86	0	-1.49	-1.49	0	1.49	1.49	0
Y	3.21	2.35	0.86	-0.86	-2.35	-3.21	-3.21	-2.35	-0.86	0.86	2.35	3.21	1.73	0.86	-0.86	-1.73	-0.86	0.86	0

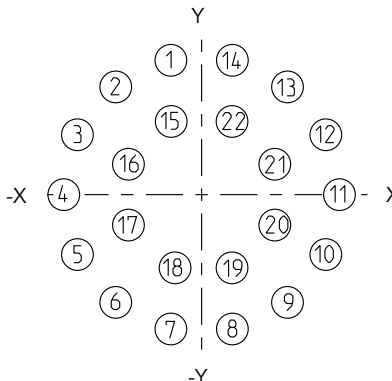
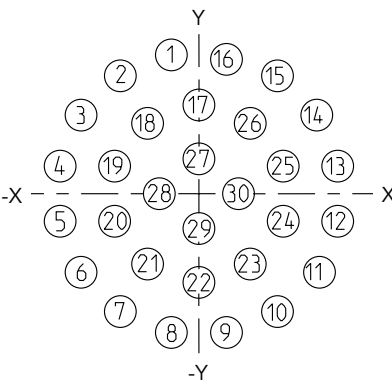
2

Drilling Pattern - Female Insulator (Continued)

Shell Size	Dimensions (mm)	
2	90° PCB Contacts	
	<p>JBX2-08</p> 	<p>JBX2-10</p> 
	<p>JBX2-12</p> 	<p>JBX2-16</p> 

Shell Size	Dimensions (mm)	
3	Straight PCB Contacts	
	<p>JBX3-08</p> 	<p>JBX3-10</p> 
	<p>JBX3-14</p> 	<p>JBX3-18</p> 

Drilling Pattern - Female Insulator (Continued)

Shell Size	Dimensions (mm)																																																																																																																																																																		
3	Straight PCB Contacts																																																																																																																																																																		
	<div style="text-align: center;"> <p>JBX3-22</p>  </div> <table border="1" style="margin-top: 20px; width: 100%; border-collapse: collapse;"> <thead> <tr> <th>Rep</th> <th>X</th> <th>Y</th> </tr> </thead> <tbody> <tr><td>1</td><td>-0.97</td><td>4.24</td></tr> <tr><td>2</td><td>-2.71</td><td>3.40</td></tr> <tr><td>3</td><td>-3.92</td><td>1.89</td></tr> <tr><td>4</td><td>-4.35</td><td>0</td></tr> <tr><td>5</td><td>-3.92</td><td>-1.89</td></tr> <tr><td>6</td><td>-2.71</td><td>-3.40</td></tr> <tr><td>7</td><td>-0.97</td><td>-4.24</td></tr> <tr><td>8</td><td>0.97</td><td>-4.24</td></tr> <tr><td>9</td><td>2.71</td><td>-3.40</td></tr> <tr><td>10</td><td>3.92</td><td>-1.89</td></tr> <tr><td>11</td><td>4.35</td><td>0</td></tr> <tr><td>12</td><td>3.92</td><td>1.89</td></tr> <tr><td>13</td><td>2.71</td><td>3.40</td></tr> <tr><td>14</td><td>0.97</td><td>4.24</td></tr> <tr><td>15</td><td>-0.96</td><td>2.31</td></tr> <tr><td>16</td><td>-2.31</td><td>0.96</td></tr> <tr><td>17</td><td>-2.31</td><td>-0.96</td></tr> <tr><td>18</td><td>-0.96</td><td>-2.31</td></tr> <tr><td>19</td><td>0.96</td><td>-2.31</td></tr> <tr><td>20</td><td>2.31</td><td>-0.96</td></tr> <tr><td>21</td><td>2.31</td><td>0.96</td></tr> <tr><td>22</td><td>0.96</td><td>2.31</td></tr> </tbody> </table>	Rep	X	Y	1	-0.97	4.24	2	-2.71	3.40	3	-3.92	1.89	4	-4.35	0	5	-3.92	-1.89	6	-2.71	-3.40	7	-0.97	-4.24	8	0.97	-4.24	9	2.71	-3.40	10	3.92	-1.89	11	4.35	0	12	3.92	1.89	13	2.71	3.40	14	0.97	4.24	15	-0.96	2.31	16	-2.31	0.96	17	-2.31	-0.96	18	-0.96	-2.31	19	0.96	-2.31	20	2.31	-0.96	21	2.31	0.96	22	0.96	2.31	<div style="text-align: center;"> <p>JBX3-30</p>  </div> <table border="1" style="margin-top: 20px; width: 100%; border-collapse: collapse;"> <thead> <tr> <th>Rep</th> <th>X</th> <th>Y</th> </tr> </thead> <tbody> <tr><td>1</td><td>-0.87</td><td>4.38</td></tr> <tr><td>2</td><td>-2.48</td><td>3.72</td></tr> <tr><td>3</td><td>-3.72</td><td>2.48</td></tr> <tr><td>4</td><td>-4.38</td><td>0.87</td></tr> <tr><td>5</td><td>-4.38</td><td>-0.87</td></tr> <tr><td>6</td><td>-3.72</td><td>-2.48</td></tr> <tr><td>7</td><td>-2.48</td><td>-3.72</td></tr> <tr><td>8</td><td>-0.87</td><td>-4.38</td></tr> <tr><td>9</td><td>0.87</td><td>4.38</td></tr> <tr><td>10</td><td>2.48</td><td>-3.72</td></tr> <tr><td>11</td><td>3.72</td><td>-2.48</td></tr> <tr><td>12</td><td>4.38</td><td>-0.87</td></tr> <tr><td>13</td><td>4.38</td><td>0.87</td></tr> <tr><td>14</td><td>3.72</td><td>2.48</td></tr> <tr><td>15</td><td>2.48</td><td>3.72</td></tr> <tr><td>16</td><td>0.87</td><td>4.38</td></tr> <tr><td>17</td><td>0</td><td>2.80</td></tr> <tr><td>18</td><td>-1.62</td><td>2.22</td></tr> <tr><td>19</td><td>-2.66</td><td>0.87</td></tr> <tr><td>20</td><td>-2.66</td><td>-0.87</td></tr> <tr><td>21</td><td>-1.62</td><td>-2.22</td></tr> <tr><td>22</td><td>0</td><td>-2.80</td></tr> <tr><td>23</td><td>1.62</td><td>-2.22</td></tr> <tr><td>24</td><td>2.66</td><td>-0.87</td></tr> <tr><td>25</td><td>2.66</td><td>0.87</td></tr> <tr><td>26</td><td>1.62</td><td>2.22</td></tr> <tr><td>27</td><td>0</td><td>1.10</td></tr> <tr><td>28</td><td>-1.25</td><td>0</td></tr> <tr><td>29</td><td>0</td><td>-1.10</td></tr> <tr><td>30</td><td>1.25</td><td>0</td></tr> </tbody> </table>	Rep	X	Y	1	-0.87	4.38	2	-2.48	3.72	3	-3.72	2.48	4	-4.38	0.87	5	-4.38	-0.87	6	-3.72	-2.48	7	-2.48	-3.72	8	-0.87	-4.38	9	0.87	4.38	10	2.48	-3.72	11	3.72	-2.48	12	4.38	-0.87	13	4.38	0.87	14	3.72	2.48	15	2.48	3.72	16	0.87	4.38	17	0	2.80	18	-1.62	2.22	19	-2.66	0.87	20	-2.66	-0.87	21	-1.62	-2.22	22	0	-2.80	23	1.62	-2.22	24	2.66	-0.87	25	2.66	0.87	26	1.62	2.22	27	0	1.10	28	-1.25	0	29	0	-1.10	30	1.25
Rep	X	Y																																																																																																																																																																	
1	-0.97	4.24																																																																																																																																																																	
2	-2.71	3.40																																																																																																																																																																	
3	-3.92	1.89																																																																																																																																																																	
4	-4.35	0																																																																																																																																																																	
5	-3.92	-1.89																																																																																																																																																																	
6	-2.71	-3.40																																																																																																																																																																	
7	-0.97	-4.24																																																																																																																																																																	
8	0.97	-4.24																																																																																																																																																																	
9	2.71	-3.40																																																																																																																																																																	
10	3.92	-1.89																																																																																																																																																																	
11	4.35	0																																																																																																																																																																	
12	3.92	1.89																																																																																																																																																																	
13	2.71	3.40																																																																																																																																																																	
14	0.97	4.24																																																																																																																																																																	
15	-0.96	2.31																																																																																																																																																																	
16	-2.31	0.96																																																																																																																																																																	
17	-2.31	-0.96																																																																																																																																																																	
18	-0.96	-2.31																																																																																																																																																																	
19	0.96	-2.31																																																																																																																																																																	
20	2.31	-0.96																																																																																																																																																																	
21	2.31	0.96																																																																																																																																																																	
22	0.96	2.31																																																																																																																																																																	
Rep	X	Y																																																																																																																																																																	
1	-0.87	4.38																																																																																																																																																																	
2	-2.48	3.72																																																																																																																																																																	
3	-3.72	2.48																																																																																																																																																																	
4	-4.38	0.87																																																																																																																																																																	
5	-4.38	-0.87																																																																																																																																																																	
6	-3.72	-2.48																																																																																																																																																																	
7	-2.48	-3.72																																																																																																																																																																	
8	-0.87	-4.38																																																																																																																																																																	
9	0.87	4.38																																																																																																																																																																	
10	2.48	-3.72																																																																																																																																																																	
11	3.72	-2.48																																																																																																																																																																	
12	4.38	-0.87																																																																																																																																																																	
13	4.38	0.87																																																																																																																																																																	
14	3.72	2.48																																																																																																																																																																	
15	2.48	3.72																																																																																																																																																																	
16	0.87	4.38																																																																																																																																																																	
17	0	2.80																																																																																																																																																																	
18	-1.62	2.22																																																																																																																																																																	
19	-2.66	0.87																																																																																																																																																																	
20	-2.66	-0.87																																																																																																																																																																	
21	-1.62	-2.22																																																																																																																																																																	
22	0	-2.80																																																																																																																																																																	
23	1.62	-2.22																																																																																																																																																																	
24	2.66	-0.87																																																																																																																																																																	
25	2.66	0.87																																																																																																																																																																	
26	1.62	2.22																																																																																																																																																																	
27	0	1.10																																																																																																																																																																	
28	-1.25	0																																																																																																																																																																	
29	0	-1.10																																																																																																																																																																	
30	1.25	0																																																																																																																																																																	

Part Number Index

Connectors

JBXEA0G02FCNDS.....	P. 20	JBXEA0G07FSNDS.....	P. 112	JBXEA1G06FQNDS.....	P. 102
JBXEA0G02FCSDS.....	P. 20	JBXEA0G07FSSDS.....	P. 112	JBXEA1G06FQSDS.....	P. 102
JBXEA0G02FPNDS.....	P. 20	JBXEA0G07MPNDS.....	P. 112	JBXEA1G06FSNDS.....	P. 102
JBXEA0G02FPSDS.....	P. 20	JBXEA0G07MPSDS.....	P. 112	JBXEA1G06FSSDS.....	P. 102
JBXEA0G02FQNDS.....	P. 20	JBXEA0G07MSNDS.....	P. 112	JBXEA1G06MCNDS.....	P. 102
JBXEA0G02FQSDS.....	P. 20	JBXEA0G07MSSDS.....	P. 112	JBXEA1G06MCSDS.....	P. 102
JBXEA0G02FSNDS.....	P. 20	JBXEA0G08FPNDS.....	P. 132	JBXEA1G06MPNDS.....	P. 102
JBXEA0G02FSSDS.....	P. 20	JBXEA0G08FPSDS.....	P. 132	JBXEA1G06MPSDS.....	P. 102
JBXEA0G02MCNDS.....	P. 20	JBXEA0G08FSNDS.....	P. 132	JBXEA1G06MSNDS.....	P. 102
JBXEA0G02MCSDS.....	P. 20	JBXEA0G08FSSDS.....	P. 132	JBXEA1G06MSSDS.....	P. 102
JBXEA0G02MSNDS.....	P. 20	JBXEA0G08MPNDS.....	P. 132	JBXEA1G07FCNDS.....	P. 118
JBXEA0G02MSSDS.....	P. 20	JBXEA0G08MPSDS.....	P. 132	JBXEA1G07FCSDS.....	P. 118
JBXEA0G03FCNDS.....	P. 36	JBXEA0G08MSNDS.....	P. 132	JBXEA1G07FPNDS.....	P. 118
JBXEA0G03FCSDS.....	P. 36	JBXEA0G08MSSDS.....	P. 132	JBXEA1G07FPSDS.....	P. 118
JBXEA0G03FPNDS.....	P. 36	JBXEA1G02FCNDS.....	P. 26	JBXEA1G07FQNDS.....	P. 118
JBXEA0G03FPSDS.....	P. 36	JBXEA1G02FCSDS.....	P. 26	JBXEA1G07FQSDS.....	P. 118
JBXEA0G03FQNDS.....	P. 36	JBXEA1G02FPNDS.....	P. 26	JBXEA1G07FSNDS.....	P. 118
JBXEA0G03FQSDS.....	P. 36	JBXEA1G02FPSDS.....	P. 26	JBXEA1G07FSSDS.....	P. 118
JBXEA0G03FSNDS.....	P. 36	JBXEA1G02FSNDS.....	P. 26	JBXEA1G07MCNDS.....	P. 118
JBXEA0G03FSSDS.....	P. 36	JBXEA1G02FSSDS.....	P. 26	JBXEA1G07MCSDS.....	P. 118
JBXEA0G03MCNDS.....	P. 36	JBXEA1G02MCNDS.....	P. 26	JBXEA1G07MPNDS.....	P. 118
JBXEA0G03MCSDS.....	P. 36	JBXEA1G02MCSNDS.....	P. 26	JBXEA1G07MPSDS.....	P. 118
JBXEA0G03MSNDS.....	P. 36	JBXEA1G02MSNDS.....	P. 26	JBXEA1G07MSNDS.....	P. 118
JBXEA0G03MSSDS.....	P. 36	JBXEA1G02MSSDS.....	P. 26	JBXEA1G07MSSDS.....	P. 118
JBXEA0G04FCNDS.....	P. 60	JBXEA1G03FCNDS.....	P. 42	JBXEA1G08FCNDS.....	P. 138
JBXEA0G04FCSDS.....	P. 60	JBXEA1G03FCSDS.....	P. 42	JBXEA1G08FCSDS.....	P. 138
JBXEA0G04FPNDS.....	P. 60	JBXEA1G03FPNDS.....	P. 42	JBXEA1G08FPNDS.....	P. 138
JBXEA0G04FPSDS.....	P. 60	JBXEA1G03FPSDS.....	P. 42	JBXEA1G08FPSDS.....	P. 138
JBXEA0G04FQNDS.....	P. 60	JBXEA1G03FQNDS.....	P. 42	JBXEA1G08FQNDS.....	P. 138
JBXEA0G04FQSDS.....	P. 60	JBXEA1G03FQSDS.....	P. 42	JBXEA1G08FQSDS.....	P. 138
JBXEA0G04FSNDS.....	P. 60	JBXEA1G03FSNDS.....	P. 42	JBXEA1G08FSNDS.....	P. 138
JBXEA0G04FSSDS.....	P. 60	JBXEA1G03FSSDS.....	P. 42	JBXEA1G08FSSDS.....	P. 138
JBXEA0G04MCNDS.....	P. 60	JBXEA1G03MCNDS.....	P. 42	JBXEA1G08MCNDS.....	P. 138
JBXEA0G04MCSDS.....	P. 60	JBXEA1G03MCSNDS.....	P. 42	JBXEA1G08MCSDS.....	P. 138
JBXEA0G04MPNDS.....	P. 60	JBXEA1G03MSNDS.....	P. 42	JBXEA1G08MPNDS.....	P. 138
JBXEA0G04MPSDS.....	P. 60	JBXEA1G03MSSDS.....	P. 42	JBXEA1G08MPSDS.....	P. 138
JBXEA0G04MSNDS.....	P. 60	JBXEA1G04FCNDS.....	P. 66	JBXEA1G08MSNDS.....	P. 138
JBXEA0G04MSSDS.....	P. 60	JBXEA1G04FCSDS.....	P. 66	JBXEA1G08MSSDS.....	P. 138
JBXEA0G05FCNDS.....	P. 80	JBXEA1G04FPNDS.....	P. 66	JBXEA1G10FPNDS.....	P. 164
JBXEA0G05FCSDS.....	P. 80	JBXEA1G04FPSDS.....	P. 66	JBXEA1G10FPSDS.....	P. 164
JBXEA0G05FPNDS.....	P. 80	JBXEA1G04FQNDS.....	P. 66	JBXEA1G10FSNDS.....	P. 164
JBXEA0G05FPSDS.....	P. 80	JBXEA1G04FQSDS.....	P. 66	JBXEA1G10FSSDS.....	P. 164
JBXEA0G05FQNDS.....	P. 80	JBXEA1G04FSNDS.....	P. 66	JBXEA1G10MSNDS.....	P. 164
JBXEA0G05FQSDS.....	P. 80	JBXEA1G04FSSDS.....	P. 66	JBXEA1G10MSSDS.....	P. 164
JBXEA0G05FSNDS.....	P. 80	JBXEA1G04MCNDS.....	P. 66	JBXEA1G12FPNDS.....	P. 184
JBXEA0G05FSSDS.....	P. 80	JBXEA1G04MCSNDS.....	P. 66	JBXEA1G12FPSDS.....	P. 184
JBXEA0G05MCNDS.....	P. 80	JBXEA1G04MSNDS.....	P. 66	JBXEA1G12FSNDS.....	P. 184
JBXEA0G05MCSDS.....	P. 80	JBXEA1G04MSSDS.....	P. 66	JBXEA1G12FSSDS.....	P. 184
JBXEA0G05MPNDS.....	P. 80	JBXEA1G05FCNDS.....	P. 86	JBXEA1G12MSNDS.....	P. 184
JBXEA0G05MPSDS.....	P. 80	JBXEA1G05FCSDS.....	P. 86	JBXEA1G12MSSDS.....	P. 184
JBXEA0G05MSNDS.....	P. 80	JBXEA1G05FPNDS.....	P. 86	JBXEA2G001FSNDS.....	P. 148
JBXEA0G05MSSDS.....	P. 80	JBXEA1G05FPSDS.....	P. 86	JBXEA2G001FSSDS.....	P. 148
JBXEA0G06FPNDS.....	P. 96	JBXEA1G05FQNDS.....	P. 86	JBXEA2G001MSNDS.....	P. 148
JBXEA0G06FPSDS.....	P. 96	JBXEA1G05FQSDS.....	P. 86	JBXEA2G001MSSDS.....	P. 148
JBXEA0G06FSNDS.....	P. 96	JBXEA1G05FSNDS.....	P. 86	JBXEA2G002FSNDS.....	P. 158
JBXEA0G06FSSDS.....	P. 96	JBXEA1G05FSSDS.....	P. 86	JBXEA2G002FSSDS.....	P. 158
JBXEA0G06MPNDS.....	P. 96	JBXEA1G05MCNDS.....	P. 86	JBXEA2G002MSNDS.....	P. 158
JBXEA0G06MPSDS.....	P. 96	JBXEA1G05MCSNDS.....	P. 86	JBXEA2G002MSSDS.....	P. 158
JBXEA0G06MSNDS.....	P. 96	JBXEA1G05MSNDS.....	P. 86	JBXEA2G003FSNDS.....	P. 174
JBXEA0G06MSSDS.....	P. 96	JBXEA1G05MSSDS.....	P. 86	JBXEA2G003FSSDS.....	P. 174
JBXEA0G07FPNDS.....	P. 112	JBXEA1G06FCNDS.....	P. 102	JBXEA2G003MSNDS.....	P. 174
JBXEA0G07FPSDS.....	P. 112	JBXEA1G06FCSDS.....	P. 102	JBXEA2G003MSSDS.....	P. 174
		JBXEA1G06FPNDS.....	P. 102	JBXEA2G02FCNDS.....	P. 30
		JBXEA1G06FPSDS.....	P. 102	JBXEA2G02FCSDS.....	P. 30

Part Number Index (Continued)

JBXEA2G02FSNDS.....	P. 30	JBXEA2G08FPNDS.....	P. 142	JBXEA2G19FPNDS.....	P. 214
JBXEA2G02FSSDS.....	P. 30	JBXEA2G08FPSDS.....	P. 142	JBXEA2G19FPSDS.....	P. 214
JBXEA2G02MCNDS.....	P. 30	JBXEA2G08FQNDSDS.....	P. 142	JBXEA2G19FSNDS.....	P. 214
JBXEA2G02MCSNDS.....	P. 30	JBXEA2G08FQSSDS.....	P. 142	JBXEA2G19FSSDS.....	P. 214
JBXEA2G02MSNDS.....	P. 30	JBXEA2G08FSNDS.....	P. 142	JBXEA2G19MCNDS.....	P. 214
JBXEA2G02MSSDS.....	P. 30	JBXEA2G08FSSDS.....	P. 142	JBXEA2G19MCSNDS.....	P. 214
JBXEA2G03FCNDS.....	P. 46	JBXEA2G08MCNDS.....	P. 142	JBXEA2G19MPNDS.....	P. 214
JBXEA2G03FCSDS.....	P. 46	JBXEA2G08MCSNDS.....	P. 142	JBXEA2G19MPSDS.....	P. 214
JBXEA2G03FSNDS.....	P. 46	JBXEA2G08MSNDS.....	P. 142	JBXEA2G19MSNDS.....	P. 214
JBXEA2G03FSSDS.....	P. 46	JBXEA2G08MSSDS.....	P. 142	JBXEA2G19MSSDS.....	P. 214
JBXEA2G03MCNDS.....	P. 46	JBXEA2G10FCNDS.....	P. 168	JBXEA3G03FCNDS.....	P. 52
JBXEA2G03MCSNDS.....	P. 46	JBXEA2G10FCSNDS.....	P. 168	JBXEA3G03FCSNDS.....	P. 52
JBXEA2G03MSNDS.....	P. 46	JBXEA2G10FPNDS.....	P. 168	JBXEA3G03FSNDS.....	P. 52
JBXEA2G03MSSDS.....	P. 46	JBXEA2G10FPSNDS.....	P. 168	JBXEA3G03FSSDS.....	P. 52
JBXEA2G04FCNDS.....	P. 70	JBXEA2G10FQNDSDS.....	P. 168	JBXEA3G03MCNDS.....	P. 52
JBXEA2G04FCSDS.....	P. 70	JBXEA2G10FQSSDS.....	P. 168	JBXEA3G03MCSNDS.....	P. 52
JBXEA2G04FPNDS.....	P. 70	JBXEA2G10FSNDS.....	P. 168	JBXEA3G03MSNDS.....	P. 52
JBXEA2G04FPSNDS.....	P. 70	JBXEA2G10FSSDS.....	P. 168	JBXEA3G03MSSDS.....	P. 52
JBXEA2G04FSSDS.....	P. 70	JBXEA2G10MCNDS.....	P. 168	JBXEA3G04FCNDS.....	P. 76
JBXEA2G04MCNDS.....	P. 70	JBXEA2G10MCSNDS.....	P. 168	JBXEA3G04FCSDS.....	P. 76
JBXEA2G04MCSNDS.....	P. 70	JBXEA2G10MSNDS.....	P. 168	JBXEA3G04FSNDS.....	P. 76
JBXEA2G04MSSDS.....	P. 70	JBXEA2G10MSSDS.....	P. 168	JBXEA3G04FSSDS.....	P. 76
JBXEA2G04MPNDS.....	P. 70	JBXEA2G12FCNDS.....	P. 188	JBXEA3G04MCNDS.....	P. 76
JBXEA2G04MPSNDS.....	P. 70	JBXEA2G12FCSNDS.....	P. 188	JBXEA3G04MCSNDS.....	P. 76
JBXEA2G04MSSDS.....	P. 70	JBXEA2G12FPNDS.....	P. 188	JBXEA3G04MSNDS.....	P. 76
JBXEA2G05FCNDS.....	P. 90	JBXEA2G12FPSNDS.....	P. 188	JBXEA3G04MSSDS.....	P. 76
JBXEA2G05FCSDS.....	P. 90	JBXEA2G12FQNDSDS.....	P. 188	JBXEA3G07FCNDS.....	P. 128
JBXEA2G05FPNDS.....	P. 90	JBXEA2G12FQSSDS.....	P. 188	JBXEA3G07FCSDS.....	P. 128
JBXEA2G05FPSNDS.....	P. 90	JBXEA2G12FSNDS.....	P. 188	JBXEA3G07FSNDS.....	P. 128
JBXEA2G05FSSDS.....	P. 90	JBXEA2G12FSSDS.....	P. 188	JBXEA3G07FSSDS.....	P. 128
JBXEA2G05MCNDS.....	P. 90	JBXEA2G12MCNDS.....	P. 188	JBXEA3G07MCSNDS.....	P. 128
JBXEA2G05MCSNDS.....	P. 90	JBXEA2G12MCSNDS.....	P. 188	JBXEA3G07MCSDS.....	P. 128
JBXEA2G05MSSDS.....	P. 90	JBXEA2G12MPNDS.....	P. 188	JBXEA3G07MSNDS.....	P. 128
JBXEA2G05MPNDS.....	P. 90	JBXEA2G12MPSNDS.....	P. 188	JBXEA3G07MSSDS.....	P. 128
JBXEA2G05MPSNDS.....	P. 90	JBXEA2G12MSSDS.....	P. 188	JBXEA3G08FCNDS.....	P. 154
JBXEA2G05MSNDS.....	P. 90	JBXEA2G16FCNDS.....	P. 198	JBXEA3G08FCSNDS.....	P. 154
JBXEA2G05MSSDS.....	P. 90	JBXEA2G16FCSDS.....	P. 198	JBXEA3G08FSSDS.....	P. 154
JBXEA2G06FCNDS.....	P. 106	JBXEA2G16FPNDS.....	P. 198	JBXEA3G08MCNDS.....	P. 154
JBXEA2G06FCSDS.....	P. 106	JBXEA2G16FPSNDS.....	P. 198	JBXEA3G08MCSNDS.....	P. 154
JBXEA2G06FPNDS.....	P. 106	JBXEA2G16FQNDSDS.....	P. 198	JBXEA3G08MSNDS.....	P. 154
JBXEA2G06FPSNDS.....	P. 106	JBXEA2G16FQSSDS.....	P. 198	JBXEA3G08MSSDS.....	P. 154
JBXEA2G06FSSDS.....	P. 106	JBXEA2G16FSNDS.....	P. 198	JBXEA3G10FCNDS.....	P. 180
JBXEA2G06MCNDS.....	P. 106	JBXEA2G16FPSNDS.....	P. 198	JBXEA3G10FCSDS.....	P. 180
JBXEA2G06MCSNDS.....	P. 106	JBXEA2G16FSSDS.....	P. 198	JBXEA3G10FNPNDSDS.....	P. 180
JBXEA2G06MSSDS.....	P. 106	JBXEA2G16MCNDS.....	P. 198	JBXEA3G10FNSNDS.....	P. 180
JBXEA2G07FCNDS.....	P. 122	JBXEA2G16MCSNDS.....	P. 198	JBXEA3G10FSSDS.....	P. 180
JBXEA2G07FCSDS.....	P. 122	JBXEA2G16MSSDS.....	P. 198	JBXEA3G10MCNDS.....	P. 180
JBXEA2G07FPNDS.....	P. 122	JBXEA2G18FCNDS.....	P. 204	JBXEA3G10MCSNDS.....	P. 180
JBXEA2G07FPSNDS.....	P. 122	JBXEA2G18FCSDS.....	P. 204	JBXEA3G10MSNDS.....	P. 180
JBXEA2G07FSSDS.....	P. 122	JBXEA2G18FPNDS.....	P. 204	JBXEA3G10MSSDS.....	P. 180
JBXEA2G07MCNDS.....	P. 122	JBXEA2G18FPSNDS.....	P. 204	JBXEA3G14FCNDS.....	P. 194
JBXEA2G07MCSNDS.....	P. 122	JBXEA2G18FSSDS.....	P. 204	JBXEA3G14FCSNDS.....	P. 194
JBXEA2G07MSSDS.....	P. 122	JBXEA2G18MCNDS.....	P. 204	JBXEA3G14FPNDS.....	P. 194
JBXEA2G07MPNDS.....	P. 122	JBXEA2G18MCSNDS.....	P. 204	JBXEA3G14FPSNDS.....	P. 194
JBXEA2G07MPSNDS.....	P. 122	JBXEA2G18MSSDS.....	P. 204	JBXEA3G14FSNDS.....	P. 194
JBXEA2G07MSNDS.....	P. 122	JBXEA2G18MSSDS.....	P. 204	JBXEA3G14FSSDS.....	P. 194
JBXEA2G07MSSDS.....	P. 122	JBXEA2G18MPNDS.....	P. 204	JBXEA3G14MCNDS.....	P. 194
JBXEA2G08FCNDS.....	P. 142	JBXEA2G18MPSNDS.....	P. 204	JBXEA3G14MCSNDS.....	P. 194
JBXEA2G08FCSDS.....	P. 142	JBXEA2G18MSNDS.....	P. 204	JBXEA3G14MSNDS.....	P. 194
		JBXEA2G18MSSDS.....	P. 204	JBXEA3G14MSSDS.....	P. 194
		JBXEA2G19FCNDS.....	P. 214	JBXEA3G18FCNDS.....	P. 210
		JBXEA2G19FCSDS.....	P. 214	JBXEA3G18FCSDS.....	P. 210

JBXEA3G18FPNDS.....	P. 210	JBXEC2G04MPNDS.....	P. 72	JBXEC2G12FSNDS.....	P. 190
JBXEA3G18FPSDS.....	P. 210	JBXEC2G04MPSDS.....	P. 72	JBXEC2G12FSSDS.....	P. 190
JBXEA3G18FSNDS.....	P. 210	JBXEC2G04MSNDS.....	P. 72	JBXEC2G12MCNDS.....	P. 190
JBXEA3G18FSSDS.....	P. 210	JBXEC2G04MSSDS.....	P. 72	JBXEC2G12MCSDS.....	P. 190
JBXEA3G18MCNDS.....	P. 210	JBXEC2G05FCNDS.....	P. 92	JBXEC2G12MPNDS.....	P. 190
JBXEA3G18MCSDS.....	P. 210	JBXEC2G05FCSDS.....	P. 92	JBXEC2G12MPSDS.....	P. 190
JBXEA3G18MSNDS.....	P. 210	JBXEC2G05FPNDS.....	P. 92	JBXEC2G12MSNDS.....	P. 190
JBXEA3G18MSSDS.....	P. 210	JBXEC2G05FPSDS.....	P. 92	JBXEC2G12MSSDS.....	P. 190
JBXEA3G22FCNDS.....	P. 220	JBXEC2G05FSNDS.....	P. 92	JBXEC2G16FCNDS.....	P. 200
JBXEA3G22FCSDS.....	P. 220	JBXEC2G05FSSDS.....	P. 92	JBXEC2G16FCSDS.....	P. 200
JBXEA3G22FPNDS.....	P. 220	JBXEC2G05MCNDS.....	P. 92	JBXEC2G16FPNDS.....	P. 200
JBXEA3G22FPSDS.....	P. 220	JBXEC2G05MCSDS.....	P. 92	JBXEC2G16FPSDS.....	P. 200
JBXEA3G22FSNDS.....	P. 220	JBXEC2G05MPNDS.....	P. 92	JBXEC2G16FSNDS.....	P. 200
JBXEA3G22FSSDS.....	P. 220	JBXEC2G05MPSDS.....	P. 92	JBXEC2G16FSSDS.....	P. 200
JBXEA3G22MCNDS.....	P. 220	JBXEC2G05MSNDS.....	P. 92	JBXEC2G16MCNDS.....	P. 200
JBXEA3G22MCSDS.....	P. 220	JBXEC2G05MSSDS.....	P. 92	JBXEC2G16MCSDS.....	P. 200
JBXEA3G22MSNDS.....	P. 220	JBXEC2G06FCNDS.....	P. 108	JBXEC2G16MPNDS.....	P. 200
JBXEA3G22MSSDS.....	P. 220	JBXEC2G06FCSDS.....	P. 108	JBXEC2G16MPSDS.....	P. 200
JBXEA3G30FCNDS.....	P. 224	JBXEC2G06FPNDS.....	P. 108	JBXEC2G16MSNDS.....	P. 200
JBXEA3G30FCSDS.....	P. 224	JBXEC2G06FPSDS.....	P. 108	JBXEC2G16MSSDS.....	P. 200
JBXEA3G30FPNDS.....	P. 224	JBXEC2G06FSNDS.....	P. 108	JBXEC2G18FCNDS.....	P. 206
JBXEA3G30FPSDS.....	P. 224	JBXEC2G06FSSDS.....	P. 108	JBXEC2G18FCSDS.....	P. 206
JBXEA3G30FSNDS.....	P. 224	JBXEC2G06MCNDS.....	P. 108	JBXEC2G18FPNDS.....	P. 206
JBXEA3G30FSSDS.....	P. 224	JBXEC2G06MCSDS.....	P. 108	JBXEC2G18FPSDS.....	P. 206
JBXEA3G30MCNDS.....	P. 224	JBXEC2G06MPNDS.....	P. 108	JBXEC2G18FSNDS.....	P. 206
JBXEA3G30MCSDS.....	P. 224	JBXEC2G06MPSDS.....	P. 108	JBXEC2G18FSSDS.....	P. 206
JBXEA3G30MSNDS.....	P. 224	JBXEC2G06MSNDS.....	P. 108	JBXEC2G18MCNDS.....	P. 206
JBXEA3G30MSSDS.....	P. 224	JBXEC2G06MSSDS.....	P. 108	JBXEC2G18MCSDS.....	P. 206
JBXEC2G001FSNDS.....	P. 150	JBXEC2G07FCNDS.....	P. 124	JBXEC2G18MPNDS.....	P. 206
JBXEC2G001FSSDS.....	P. 150	JBXEC2G07FCSDS.....	P. 124	JBXEC2G18MPSDS.....	P. 206
JBXEC2G001MSNDS.....	P. 150	JBXEC2G07FPNDS.....	P. 124	JBXEC2G18MSNDS.....	P. 206
JBXEC2G001MSSDS.....	P. 150	JBXEC2G07FPSDS.....	P. 124	JBXEC2G18MSSDS.....	P. 206
JBXEC2G002FSNDS.....	P. 160	JBXEC2G07FSNDS.....	P. 124	JBXEC2G19FCNDS.....	P. 216
JBXEC2G002FSSDS.....	P. 160	JBXEC2G07FSSDS.....	P. 124	JBXEC2G19FCSDS.....	P. 216
JBXEC2G002MSNDS.....	P. 160	JBXEC2G07MCNDS.....	P. 124	JBXEC2G19FPNDS.....	P. 216
JBXEC2G002MSSDS.....	P. 160	JBXEC2G07MCSDS.....	P. 124	JBXEC2G19FPSDS.....	P. 216
JBXEC2G003FSNDS.....	P. 176	JBXEC2G07MPNDS.....	P. 124	JBXEC2G19FSNDS.....	P. 216
JBXEC2G003FSSDS.....	P. 176	JBXEC2G07MPSDS.....	P. 124	JBXEC2G19FSSDS.....	P. 216
JBXEC2G003MSNDS.....	P. 176	JBXEC2G07MSNDS.....	P. 124	JBXEC2G19MCNDS.....	P. 216
JBXEC2G003MSSDS.....	P. 176	JBXEC2G07MSSDS.....	P. 124	JBXEC2G19MCSDS.....	P. 216
JBXEC2G02FCNDS.....	P. 32	JBXEC2G08FCNDS.....	P. 144	JBXEC2G19MPNDS.....	P. 216
JBXEC2G02FCSDS.....	P. 32	JBXEC2G08FCSDS.....	P. 144	JBXEC2G19MPSDS.....	P. 216
JBXEC2G02FSNDS.....	P. 32	JBXEC2G08FPNDS.....	P. 144	JBXEC2G19MSNDS.....	P. 216
JBXEC2G02FSSDS.....	P. 32	JBXEC2G08FPSDS.....	P. 144	JBXEC2G19MSSDS.....	P. 216
JBXEC2G02MCNDS.....	P. 32	JBXEC2G08FSNDS.....	P. 144	JBXED0G02FCNDSR.....	P. 20
JBXEC2G02MCSDS.....	P. 32	JBXEC2G08FSSDS.....	P. 144	JBXED0G02FCSDSR.....	P. 20
JBXEC2G02MSNDS.....	P. 32	JBXEC2G08MCNDS.....	P. 144	JBXED0G02FQNDSR.....	P. 20
JBXEC2G02MSSDS.....	P. 32	JBXEC2G08MCSDS.....	P. 144	JBXED0G02FQSDSR.....	P. 20
JBXEC2G03FCNDS.....	P. 48	JBXEC2G08MSNDS.....	P. 144	JBXED0G02FSNDSR.....	P. 20
JBXEC2G03FCSDS.....	P. 48	JBXEC2G08MSSDS.....	P. 144	JBXED0G02FSSDSR.....	P. 20
JBXEC2G03FSNDS.....	P. 48	JBXEC2G10FCNDS.....	P. 170	JBXED0G02MCNDSR.....	P. 20
JBXEC2G03FSSDS.....	P. 48	JBXEC2G10FCSDS.....	P. 170	JBXED0G02MCSDSR.....	P. 20
JBXEC2G03MCNDS.....	P. 48	JBXEC2G10FPNDS.....	P. 170	JBXED0G02MSNDSR.....	P. 20
JBXEC2G03MCSDS.....	P. 48	JBXEC2G10FPSDS.....	P. 170	JBXED0G02MSSDSR.....	P. 20
JBXEC2G03MSNDS.....	P. 48	JBXEC2G10FSNDS.....	P. 170	JBXED0G03FCNDSR.....	P. 36
JBXEC2G03MSSDS.....	P. 48	JBXEC2G10FSSDS.....	P. 170	JBXED0G03FCSDSR.....	P. 36
JBXEC2G04FCNDS.....	P. 72	JBXEC2G10MCNDS.....	P. 170	JBXED0G03FQNDSR.....	P. 36
JBXEC2G04FCSDS.....	P. 72	JBXEC2G10MCSDS.....	P. 170	JBXED0G03FQSDSR.....	P. 36
JBXEC2G04FPNDS.....	P. 72	JBXEC2G10MSNDS.....	P. 170	JBXED0G03FSNDSR.....	P. 36
JBXEC2G04FPSDS.....	P. 72	JBXEC2G10MSSDS.....	P. 170	JBXED0G03FSSDSR.....	P. 36
JBXEC2G04FSNDS.....	P. 72	JBXEC2G12FCNDS.....	P. 190	JBXED0G03MCNDSR.....	P. 36
JBXEC2G04FSSDS.....	P. 72	JBXEC2G12FCSDS.....	P. 190	JBXED0G03MCSDSR.....	P. 36
JBXEC2G04MCNDS.....	P. 72	JBXEC2G12FPNDS.....	P. 190	JBXED0G03MSNDSR.....	P. 36
JBXEC2G04MCSDS.....	P. 72	JBXEC2G12FPSDS.....	P. 190	JBXED0G03MSSDSR.....	P. 36

Part Number Index (Continued)

JBXED0G04FCNDSR.....	P. 60	JBXEP0G04MCNDS.....	P. 60	JBXEP1G05MSNDS.....	P. 86
JBXED0G04FCSDSR.....	P. 60	JBXEP0G04MCSDS.....	P. 60	JBXEP1G05MSSDS.....	P. 86
JBXED0G04FQNDSR.....	P. 60	JBXEP0G04MPNDS.....	P. 60	JBXEP1G06FQNDS.....	P. 102
JBXED0G04FQSDSR.....	P. 60	JBXEP0G04MPSDS.....	P. 60	JBXEP1G06FQSDS.....	P. 102
JBXED0G04FSNDSR.....	P. 60	JBXEP0G04MSNDS.....	P. 60	JBXEP1G06FSNDS.....	P. 102
JBXED0G04FSSDSR.....	P. 60	JBXEP0G04MSSDS.....	P. 60	JBXEP1G06FSSDS.....	P. 102
JBXED0G04MCNDSR.....	P. 60	JBXEP0G05FCNDS.....	P. 80	JBXEP1G06MSNDS.....	P. 102
JBXED0G04MCSDSR.....	P. 60	JBXEP0G05FCSDS.....	P. 80	JBXEP1G06MSSDS.....	P. 102
JBXED0G04MSNDSR.....	P. 60	JBXEP0G05FPNDS.....	P. 80	JBXEP1G07FQNDS.....	P. 118
JBXED0G04MSSDSR.....	P. 60	JBXEP0G05FPSDS.....	P. 80	JBXEP1G07FQSDS.....	P. 118
JBXED0G05FCNDSR.....	P. 80	JBXEP0G05FQNDS.....	P. 80	JBXEP1G07FSNDS.....	P. 118
JBXED0G05FCSDSR.....	P. 80	JBXEP0G05FQSDS.....	P. 80	JBXEP1G07FSSDS.....	P. 118
JBXED0G05FQNDSR.....	P. 80	JBXEP0G05FSNDS.....	P. 80	JBXEP1G07MSNDS.....	P. 118
JBXED0G05FQSDSR.....	P. 80	JBXEP0G05FSSDS.....	P. 80	JBXEP1G07MSSDS.....	P. 118
JBXED0G05FSNDSR.....	P. 80	JBXEP0G05MCNDS.....	P. 80	JBXEP1G08FQNDS.....	P. 138
JBXED0G05FSSDSR.....	P. 80	JBXEP0G05MCSDS.....	P. 80	JBXEP1G08FQSDS.....	P. 138
JBXED0G05MCNDSR.....	P. 80	JBXEP0G05MPNDS.....	P. 80	JBXEP1G08FSNDS.....	P. 138
JBXED0G05MCSDSR.....	P. 80	JBXEP0G05MPSDS.....	P. 80	JBXEP1G08FSSDS.....	P. 138
JBXED0G05MSNDSR.....	P. 80	JBXEP0G05MSNDS.....	P. 80	JBXEP1G08MSNDS.....	P. 138
JBXED0G05MSSDSR.....	P. 80	JBXEP0G05MSSDS.....	P. 80	JBXEP1G08MSSDS.....	P. 138
JBXED0G06FSNDSR.....	P. 96	JBXEP0G06FPNDS.....	P. 96	JBXEP1G10FSNDS.....	P. 164
JBXED0G06FSSDSR.....	P. 96	JBXEP0G06FPSDS.....	P. 96	JBXEP1G10FSSDS.....	P. 164
JBXED0G06MSNDSR.....	P. 96	JBXEP0G06FSNDS.....	P. 96	JBXEP1G10MSNDS.....	P. 164
JBXED0G06MSSDSR.....	P. 96	JBXEP0G06FSSDS.....	P. 96	JBXEP1G10MSSDS.....	P. 164
JBXED0G07FSNDSR.....	P. 112	JBXEP0G06MPNDS.....	P. 96	JBXEP1G12FSNDS.....	P. 184
JBXED0G07FSSDSR.....	P. 112	JBXEP0G06MPSDS.....	P. 96	JBXEP1G12FSSDS.....	P. 184
JBXED0G07MSNDSR.....	P. 112	JBXEP0G06MSNDS.....	P. 96	JBXEP1G12MSNDS.....	P. 184
JBXED0G07MSSDSR.....	P. 112	JBXEP0G06MSSDS.....	P. 96	JBXEP1G12MSSDS.....	P. 184
JBXED0G08FSNDSR.....	P. 132	JBXEP0G07FPNDS.....	P. 112	JBXEP2G001FSNDS.....	P. 148
JBXED0G08FSSDSR.....	P. 132	JBXEP0G07FPSDS.....	P. 112	JBXEP2G001FSSDS.....	P. 148
JBXED0G08MSNDSR.....	P. 132	JBXEP0G07FSNDS.....	P. 112	JBXEP2G001MSNDS.....	P. 148
JBXED0G08MSSDSR.....	P. 132	JBXEP0G07FSSDS.....	P. 112	JBXEP2G001MSSDS.....	P. 148
JBXEP0G02FCNDS.....	P. 20	JBXEP0G07MPNDS.....	P. 112	JBXEP2G002FSNDS.....	P. 158
JBXEP0G02FCSDS.....	P. 20	JBXEP0G07MPSDS.....	P. 112	JBXEP2G002FSSDS.....	P. 158
JBXEP0G02FPNDS.....	P. 20	JBXEP0G07MSNDS.....	P. 112	JBXEP2G002MSNDS.....	P. 158
JBXEP0G02FPSDS.....	P. 20	JBXEP0G07MSSDS.....	P. 112	JBXEP2G002MSSDS.....	P. 158
JBXEP0G02FQNDS.....	P. 20	JBXEP0G08FPNDS.....	P. 132	JBXEP2G003FSNDS.....	P. 174
JBXEP0G02FQSDS.....	P. 20	JBXEP0G08FPSDS.....	P. 132	JBXEP2G003FSSDS.....	P. 174
JBXEP0G02FSNDS.....	P. 20	JBXEP0G08FSNDS.....	P. 132	JBXEP2G003MSNDS.....	P. 174
JBXEP0G02FSSDS.....	P. 20	JBXEP0G08FSSDS.....	P. 132	JBXEP2G003MSSDS.....	P. 174
JBXEP0G02MCNDS.....	P. 20	JBXEP0G08MPNDS.....	P. 132	JBXEP2G02FCNDS.....	P. 30
JBXEP0G02MCSDS.....	P. 20	JBXEP0G08MPSDS.....	P. 132	JBXEP2G02FCSDS.....	P. 30
JBXEP0G02MSNDS.....	P. 20	JBXEP0G08MSNDS.....	P. 132	JBXEP2G02FQNDS.....	P. 30
JBXEP0G02MSSDS.....	P. 20	JBXEP0G08MSSDS.....	P. 132	JBXEP2G02FSSDS.....	P. 30
JBXEP0G03FCNDS.....	P. 36	JBXEP1G02FSNDS.....	P. 26	JBXEP2G02MCNDS.....	P. 30
JBXEP0G03FCSDS.....	P. 36	JBXEP1G02FSSDS.....	P. 26	JBXEP2G02MCSDS.....	P. 30
JBXEP0G03FPNDS.....	P. 36	JBXEP1G02MSNDS.....	P. 26	JBXEP2G02MSNDS.....	P. 30
JBXEP0G03FPSDS.....	P. 36	JBXEP1G02MSSDS.....	P. 26	JBXEP2G02MSSDS.....	P. 30
JBXEP0G03FQNDS.....	P. 36	JBXEP1G03FQNDS.....	P. 42	JBXEP2G03FCNDS.....	P. 46
JBXEP0G03FQSDS.....	P. 36	JBXEP1G03FQSDS.....	P. 42	JBXEP2G03FCSDS.....	P. 46
JBXEP0G03FSNDS.....	P. 36	JBXEP1G03FSNDS.....	P. 42	JBXEP2G03FSNDS.....	P. 46
JBXEP0G03FSSDS.....	P. 36	JBXEP1G03FSSDS.....	P. 42	JBXEP2G03FSSDS.....	P. 46
JBXEP0G03MCNDS.....	P. 36	JBXEP1G03MSNDS.....	P. 42	JBXEP2G03MCNDS.....	P. 46
JBXEP0G03MCSDS.....	P. 36	JBXEP1G03MSSDS.....	P. 42	JBXEP2G03MCSDS.....	P. 46
JBXEP0G03MSNDS.....	P. 36	JBXEP1G04FQNDS.....	P. 66	JBXEP2G03MSNDS.....	P. 46
JBXEP0G03MSSDS.....	P. 36	JBXEP1G04FQSDS.....	P. 66	JBXEP2G03MSSDS.....	P. 46
JBXEP0G04FCNDS.....	P. 60	JBXEP1G04FSNDS.....	P. 66	JBXEP2G04FCNDS.....	P. 70
JBXEP0G04FCSDS.....	P. 60	JBXEP1G04FSSDS.....	P. 66	JBXEP2G04FCSDS.....	P. 70
JBXEP0G04FPNDS.....	P. 60	JBXEP1G04MSNDS.....	P. 66	JBXEP2G04FPNDS.....	P. 70
JBXEP0G04FPSDS.....	P. 60	JBXEP1G04MSSDS.....	P. 66	JBXEP2G04FPSDS.....	P. 70
JBXEP0G04FQNDS.....	P. 60	JBXEP1G05FQNDS.....	P. 86	JBXEP2G04FSNDS.....	P. 70
JBXEP0G04FQSDS.....	P. 60	JBXEP1G05FQSDS.....	P. 86	JBXEP2G04FSSDS.....	P. 70
JBXEP0G04FSNDS.....	P. 60	JBXEP1G05FSNDS.....	P. 86	JBXEP2G04MCNDS.....	P. 70
JBXEP0G04FSSDS.....	P. 60	JBXEP1G05FSSDS.....	P. 86	JBXEP2G04MCSDS.....	P. 70

JBXEP2G04MPNDS.....	P. 70	JBXEP2G12FCNDS.....	P. 188	JBXER0G02MCNDSR.....	P. 20
JBXEP2G04MPSDS.....	P. 70	JBXEP2G12FCSDS.....	P. 188	JBXER0G02MCSDSR.....	P. 20
JBXEP2G04MSNDS.....	P. 70	JBXEP2G12FPNDS.....	P. 188	JBXER0G02MSNDSR.....	P. 20
JBXEP2G04MSSDS.....	P. 70	JBXEP2G12FPSDS.....	P. 188	JBXER0G02MSSDSR.....	P. 20
JBXEP2G05FCNDS.....	P. 90	JBXEP2G12FQNDSDS.....	P. 188	JBXER0G03FCNDSR.....	P. 36
JBXEP2G05FCSDS.....	P. 90	JBXEP2G12FQSDS.....	P. 188	JBXER0G03FCSDSR.....	P. 36
JBXEP2G05FPNDS.....	P. 90	JBXEP2G12FSNDS.....	P. 188	JBXER0G03FSNDSR.....	P. 36
JBXEP2G05FPSDS.....	P. 90	JBXEP2G12FSSDS.....	P. 188	JBXER0G03FSSDSR.....	P. 36
JBXEP2G05FSNDS.....	P. 90	JBXEP2G12MCNDS.....	P. 188	JBXER0G03MCNDSR.....	P. 36
JBXEP2G05FSSDS.....	P. 90	JBXEP2G12MCSDS.....	P. 188	JBXER0G03MCSDSR.....	P. 36
JBXEP2G05MCNDS.....	P. 90	JBXEP2G12MPNDS.....	P. 188	JBXER0G03MSNDSR.....	P. 36
JBXEP2G05MCSNDS.....	P. 90	JBXEP2G12MPSDS.....	P. 188	JBXER0G03MSSDSR.....	P. 36
JBXEP2G05MPNDS.....	P. 90	JBXEP2G12MSNDS.....	P. 188	JBXER0G04FCNDSR.....	P. 60
JBXEP2G05MPSDS.....	P. 90	JBXEP2G12MSSDS.....	P. 188	JBXER0G04FCSDSR.....	P. 60
JBXEP2G05MSNDS.....	P. 90	JBXEP2G16FCNDS.....	P. 198	JBXER0G04FSNDSR.....	P. 60
JBXEP2G05MSSDS.....	P. 90	JBXEP2G16FCSDS.....	P. 198	JBXER0G04FSSDSR.....	P. 60
JBXEP2G06FCNDS.....	P. 106	JBXEP2G16FPNDS.....	P. 198	JBXER0G04MCNDSR.....	P. 60
JBXEP2G06FCSDS.....	P. 106	JBXEP2G16FPSDS.....	P. 198	JBXER0G04MCSDSR.....	P. 60
JBXEP2G06FPNDS.....	P. 106	JBXEP2G16FQNDSDS.....	P. 198	JBXER0G04MSNDSR.....	P. 60
JBXEP2G06FPSDS.....	P. 106	JBXEP2G16FQSDS.....	P. 198	JBXER0G04MSSDSR.....	P. 60
JBXEP2G06FSNDS.....	P. 106	JBXEP2G16FSNDS.....	P. 198	JBXER0G05FCNDSR.....	P. 80
JBXEP2G06FSSDS.....	P. 106	JBXEP2G16FSSDS.....	P. 198	JBXER0G05FCSDSR.....	P. 80
JBXEP2G06MCNDS.....	P. 106	JBXEP2G16MCNDS.....	P. 198	JBXER0G05FSNDSR.....	P. 80
JBXEP2G06MCSNDS.....	P. 106	JBXEP2G16MCSNDS.....	P. 198	JBXER0G05FSSDSR.....	P. 80
JBXEP2G06MPNDS.....	P. 106	JBXEP2G16MPSDS.....	P. 198	JBXER0G05MCNDSR.....	P. 80
JBXEP2G06MPSDS.....	P. 106	JBXEP2G16MPSDS.....	P. 198	JBXER0G05MCSDSR.....	P. 80
JBXEP2G06MSNDS.....	P. 106	JBXEP2G16MSNDS.....	P. 198	JBXER0G05MSNDSR.....	P. 80
JBXEP2G06MSSDS.....	P. 106	JBXEP2G16MSSDS.....	P. 198	JBXER0G05MSSDSR.....	P. 80
JBXEP2G07FCNDS.....	P. 122	JBXEP2G18FCNDS.....	P. 204	JBXER0G06FSNDSR.....	P. 96
JBXEP2G07FCSDS.....	P. 122	JBXEP2G18FCSDS.....	P. 204	JBXER0G06FSSDSR.....	P. 96
JBXEP2G07FPNDS.....	P. 122	JBXEP2G18FPNDS.....	P. 204	JBXER0G06MSNDSR.....	P. 96
JBXEP2G07FPSDS.....	P. 122	JBXEP2G18FPSDS.....	P. 204	JBXER0G06MSSDSR.....	P. 96
JBXEP2G07FSNDS.....	P. 122	JBXEP2G18FSNDS.....	P. 204	JBXER0G07FSNDSR.....	P. 112
JBXEP2G07FSSDS.....	P. 122	JBXEP2G18FSSDS.....	P. 204	JBXER0G07FSSDSR.....	P. 112
JBXEP2G07MCNDS.....	P. 122	JBXEP2G18MCNDS.....	P. 204	JBXER0G07MSNDSR.....	P. 112
JBXEP2G07MCSNDS.....	P. 122	JBXEP2G18MCSNDS.....	P. 204	JBXER0G07MSSDSR.....	P. 112
JBXEP2G07MPNDS.....	P. 122	JBXEP2G18MPSDS.....	P. 204	JBXER0G08FSNDSR.....	P. 132
JBXEP2G07MPSDS.....	P. 122	JBXEP2G18MPSDS.....	P. 204	JBXER0G08FSSDSR.....	P. 132
JBXEP2G07MSNDS.....	P. 122	JBXEP2G18MSNDS.....	P. 204	JBXER0G08MSNDSR.....	P. 132
JBXEP2G07MSSDS.....	P. 122	JBXEP2G18MSSDS.....	P. 204	JBXER0G08MSSDSR.....	P. 132
JBXEP2G08FCNDS.....	P. 142	JBXEP2G19FCNDS.....	P. 214	JBXER1G02FCNDSR.....	P. 26
JBXEP2G08FCSDS.....	P. 142	JBXEP2G19FCSDS.....	P. 214	JBXER1G02FCSDSR.....	P. 26
JBXEP2G08FPNDS.....	P. 142	JBXEP2G19FPNDS.....	P. 214	JBXER1G02FPNDSR.....	P. 26
JBXEP2G08FPSDS.....	P. 142	JBXEP2G19FPSDS.....	P. 214	JBXER1G02FPSDSR.....	P. 26
JBXEP2G08FQNDSDS.....	P. 142	JBXEP2G19FSNDS.....	P. 214	JBXER1G02FSNDSR.....	P. 26
JBXEP2G08FQSDS.....	P. 142	JBXEP2G19FSSDS.....	P. 214	JBXER1G02FSSDSR.....	P. 26
JBXEP2G08FSNDS.....	P. 142	JBXEP2G19MCNDS.....	P. 214	JBXER1G02MCNDSR.....	P. 26
JBXEP2G08FSSDS.....	P. 142	JBXEP2G19MCSNDS.....	P. 214	JBXER1G02MCSDSR.....	P. 26
JBXEP2G08MCNDS.....	P. 142	JBXEP2G19MPNDS.....	P. 214	JBXER1G02MSNDSR.....	P. 26
JBXEP2G08MCSNDS.....	P. 142	JBXEP2G19MPSDS.....	P. 214	JBXER1G02MSSDSR.....	P. 26
JBXEP2G08MSNDS.....	P. 142	JBXEP2G19MSNDS.....	P. 214	JBXER1G03FCNDSR.....	P. 42
JBXEP2G08MSSDS.....	P. 142	JBXEP2G19MSSDS.....	P. 214	JBXER1G03FCSDSR.....	P. 42
JBXEP2G10FCNDS.....	P. 168	JBXER0G02FSNDSR.....	P. 16	JBXER1G03FPNDSR.....	P. 42
JBXEP2G10FCSDS.....	P. 168	JBXER0G02FSSDSR.....	P. 16	JBXER1G03FPSDSR.....	P. 42
JBXEP2G10FPNDS.....	P. 168	JBXER0G02MSNDSR.....	P. 16	JBXER1G03FSNDSR.....	P. 42
JBXEP2G10FPSDS.....	P. 168	JBXER0G02MSSDSR.....	P. 16	JBXER1G03FSSDSR.....	P. 42
JBXEP2G10FQNDSDS.....	P. 168	JBXER0G04FSNDSR.....	P. 56	JBXER1G03MCNDSR.....	P. 42
JBXEP2G10FQSDS.....	P. 168	JBXER0G04FSSDSR.....	P. 56	JBXER1G03MCSDSR.....	P. 42
JBXEP2G10FSNDS.....	P. 168	JBXER0G04MSNDSR.....	P. 56	JBXER1G03MSNDSR.....	P. 42
JBXEP2G10FSSDS.....	P. 168	JBXER0G04MSSDSR.....	P. 56	JBXER1G03MSSDSR.....	P. 42
JBXEP2G10MCNDS.....	P. 168	JBXER0G02FCNDSR.....	P. 20	JBXER1G04FCNDSR.....	P. 66
JBXEP2G10MCSNDS.....	P. 168	JBXER0G02FCSDSR.....	P. 20	JBXER1G04FCSDSR.....	P. 66
JBXEP2G10MSNDS.....	P. 168	JBXER0G02FSNDSR.....	P. 20	JBXER1G04FPNDSR.....	P. 66
JBXEP2G10MSSDS.....	P. 168	JBXER0G02FSSDSR.....	P. 20	JBXER1G04FPSDSR.....	P. 66

Part Number Index (Continued)

JBXER1G04FSNDSR.....	P. 66	JBXER2G001FSNDSR.....	P. 148	JBXER2G07FCNDSR.....	P. 122
JBXER1G04FSSDSR.....	P. 66	JBXER2G001FSSDSR.....	P. 148	JBXER2G07FCSDSR.....	P. 122
JBXER1G04MCNDSR.....	P. 66	JBXER2G001MSNDSR.....	P. 148	JBXER2G07FPNDSR.....	P. 122
JBXER1G04MCSDSR.....	P. 66	JBXER2G001MSSDSR.....	P. 148	JBXER2G07FPSDSR.....	P. 122
JBXER1G04MSNDSR.....	P. 66	JBXER2G002FSNDSR.....	P. 158	JBXER2G07FSNDSR.....	P. 122
JBXER1G04MSSDSR.....	P. 66	JBXER2G002FSSDSR.....	P. 158	JBXER2G07FSSDSR.....	P. 122
JBXER1G05FCNDSR.....	P. 86	JBXER2G002MSNDSR.....	P. 158	JBXER2G07MCNDSR.....	P. 122
JBXER1G05FCSDSR.....	P. 86	JBXER2G002MSSDSR.....	P. 158	JBXER2G07MCSDSR.....	P. 122
JBXER1G05FPNDSR.....	P. 86	JBXER2G003FSNDSR.....	P. 174	JBXER2G07MPNDSR.....	P. 122
JBXER1G05FPSDSR.....	P. 86	JBXER2G003FSSDSR.....	P. 174	JBXER2G07MPSDSR.....	P. 122
JBXER1G05FSNDSR.....	P. 86	JBXER2G003MSNDSR.....	P. 174	JBXER2G07MSNDSR.....	P. 122
JBXER1G05FSSDSR.....	P. 86	JBXER2G003MSSDSR.....	P. 174	JBXER2G07MSSDSR.....	P. 122
JBXER1G05MCNDSR.....	P. 86	JBXER2G003FCNDSR.....	P. 30	JBXER2G08FCNDSR.....	P. 142
JBXER1G05MCSDSR.....	P. 86	JBXER2G003FCSDSR.....	P. 30	JBXER2G08FCSDSR.....	P. 142
JBXER1G05MSNDSR.....	P. 86	JBXER2G002FSNDSR.....	P. 30	JBXER2G08FPNDSR.....	P. 142
JBXER1G05MSSDSR.....	P. 86	JBXER2G002FSSDSR.....	P. 30	JBXER2G08FPSDSR.....	P. 142
JBXER1G06FCNDSR.....	P. 102	JBXER2G02MCNDSR.....	P. 30	JBXER2G08FSNDSR.....	P. 142
JBXER1G06FCSDSR.....	P. 102	JBXER2G02MCSDSR.....	P. 30	JBXER2G08FSSDSR.....	P. 142
JBXER1G06FPNDSR.....	P. 102	JBXER2G02MSNDSR.....	P. 30	JBXER2G08MCNDSR.....	P. 142
JBXER1G06FPSDSR.....	P. 102	JBXER2G02MSSDSR.....	P. 30	JBXER2G08MCSDSR.....	P. 142
JBXER1G06FSNDSR.....	P. 102	JBXER2G03FCNDSR.....	P. 46	JBXER2G08MSNDSR.....	P. 142
JBXER1G06FSSDSR.....	P. 102	JBXER2G03FCSDSR.....	P. 46	JBXER2G08MSSDSR.....	P. 142
JBXER1G06MCNDSR.....	P. 102	JBXER2G03FSNDSR.....	P. 46	JBXER2G10FCNDSR.....	P. 168
JBXER1G06MCSDSR.....	P. 102	JBXER2G03FSSDSR.....	P. 46	JBXER2G10FCSDSR.....	P. 168
JBXER1G06MPNDSR.....	P. 102	JBXER2G03MCNDSR.....	P. 46	JBXER2G10FPNDSR.....	P. 168
JBXER1G06MPSDSR.....	P. 102	JBXER2G03MCSDSR.....	P. 46	JBXER2G10FPSDSR.....	P. 168
JBXER1G06MSNDSR.....	P. 102	JBXER2G03MSNDSR.....	P. 46	JBXER2G10FSNDSR.....	P. 168
JBXER1G06MSSDSR.....	P. 102	JBXER2G03MSSDSR.....	P. 46	JBXER2G10FSSDSR.....	P. 168
JBXER1G07FCNDSR.....	P. 118	JBXER2G04FCNDSR.....	P. 70	JBXER2G10MCNDSR.....	P. 168
JBXER1G07FCSDSR.....	P. 118	JBXER2G04FCSDSR.....	P. 70	JBXER2G10MCSDSR.....	P. 168
JBXER1G07FPNDSR.....	P. 118	JBXER2G04FPNDSR.....	P. 70	JBXER2G10MSNDSR.....	P. 168
JBXER1G07FPSDSR.....	P. 118	JBXER2G04FPSDSR.....	P. 70	JBXER2G10MSSDSR.....	P. 168
JBXER1G07FSNDSR.....	P. 118	JBXER2G04FSNDSR.....	P. 70	JBXER2G12FCNDSR.....	P. 188
JBXER1G07FSSDSR.....	P. 118	JBXER2G04FSSDSR.....	P. 70	JBXER2G12FCSDSR.....	P. 188
JBXER1G07MCNDSR.....	P. 118	JBXER2G04MCNDSR.....	P. 70	JBXER2G12FPNDSR.....	P. 188
JBXER1G07MCSDSR.....	P. 118	JBXER2G04MCSDSR.....	P. 70	JBXER2G12FPSDSR.....	P. 188
JBXER1G07MPNDSR.....	P. 118	JBXER2G04MPNDSR.....	P. 70	JBXER2G12FSNDSR.....	P. 188
JBXER1G07MPSDSR.....	P. 118	JBXER2G04MPSDSR.....	P. 70	JBXER2G12FSSDSR.....	P. 188
JBXER1G07MSNDSR.....	P. 118	JBXER2G04MSNDSR.....	P. 70	JBXER2G12MCNDSR.....	P. 188
JBXER1G07MSSDSR.....	P. 118	JBXER2G04MSSDSR.....	P. 70	JBXER2G12MCSDSR.....	P. 188
JBXER1G08FCNDSR.....	P. 138	JBXER2G05FCNDSR.....	P. 90	JBXER2G12MPNDSR.....	P. 188
JBXER1G08FCSDSR.....	P. 138	JBXER2G05FCSDSR.....	P. 90	JBXER2G12MPSDSR.....	P. 188
JBXER1G08FPNDSR.....	P. 138	JBXER2G05FPNDSR.....	P. 90	JBXER2G12MSNDSR.....	P. 188
JBXER1G08FPSDSR.....	P. 138	JBXER2G05FPSDSR.....	P. 90	JBXER2G12MSSDSR.....	P. 188
JBXER1G08FSNDSR.....	P. 138	JBXER2G05FSNDSR.....	P. 90	JBXER2G16FCNDSR.....	P. 198
JBXER1G08FSSDSR.....	P. 138	JBXER2G05FSSDSR.....	P. 90	JBXER2G16FCSDSR.....	P. 198
JBXER1G08MCNDSR.....	P. 138	JBXER2G05MCNDSR.....	P. 90	JBXER2G16FPNDSR.....	P. 198
JBXER1G08MCSDSR.....	P. 138	JBXER2G05MCSDSR.....	P. 90	JBXER2G16FPSDSR.....	P. 198
JBXER1G08MPNDSR.....	P. 138	JBXER2G05MPNDSR.....	P. 90	JBXER2G16FSNDSR.....	P. 198
JBXER1G08MPSDSR.....	P. 138	JBXER2G05MPSDSR.....	P. 90	JBXER2G16FSSDSR.....	P. 198
JBXER1G08MSNDSR.....	P. 138	JBXER2G05MSNDSR.....	P. 90	JBXER2G16MCNDSR.....	P. 198
JBXER1G08MSSDSR.....	P. 138	JBXER2G05MSSDSR.....	P. 90	JBXER2G16MCSDSR.....	P. 198
JBXER1G10FPNDSR.....	P. 164	JBXER2G06FCNDSR.....	P. 106	JBXER2G16MPNDSR.....	P. 198
JBXER1G10FPSDSR.....	P. 164	JBXER2G06FCSDSR.....	P. 106	JBXER2G16MPSDSR.....	P. 198
JBXER1G10FSNDSR.....	P. 164	JBXER2G06FPNDSR.....	P. 106	JBXER2G16MSNDSR.....	P. 198
JBXER1G10FSSDSR.....	P. 164	JBXER2G06FPSDSR.....	P. 106	JBXER2G16MSSDSR.....	P. 198
JBXER1G10MSNDSR.....	P. 164	JBXER2G06FSNDSR.....	P. 106	JBXER2G18FCNDSR.....	P. 204
JBXER1G10MSSDSR.....	P. 164	JBXER2G06FSSDSR.....	P. 106	JBXER2G18FCSDSR.....	P. 204
JBXER1G12FPNDSR.....	P. 184	JBXER2G06MCNDSR.....	P. 106	JBXER2G18FPNDSR.....	P. 204
JBXER1G12FPSDSR.....	P. 184	JBXER2G06MCSDSR.....	P. 106	JBXER2G18FPSDSR.....	P. 204
JBXER1G12FSNDSR.....	P. 184	JBXER2G06MPNDSR.....	P. 106	JBXER2G18FSNDSR.....	P. 204
JBXER1G12FSSDSR.....	P. 184	JBXER2G06MPSDSR.....	P. 106	JBXER2G18FSSDSR.....	P. 204
JBXER1G12MSNDSR.....	P. 184	JBXER2G06MSNDSR.....	P. 106	JBXER2G18MCNDSR.....	P. 204
JBXER1G12MSSDSR.....	P. 184	JBXER2G06MSSDSR.....	P. 106	JBXER2G18MCSDSR.....	P. 204

JBXER2G18MPNDSR.....	P. 204	JBXER3G18FCNDSR.....	P. 210	JBXEZ1G08FPNDSR.....	P. 138
JBXER2G18MPSDSR.....	P. 204	JBXER3G18FCSDSR.....	P. 210	JBXEZ1G08FPSDSR.....	P. 138
JBXER2G18MSNDSR.....	P. 204	JBXER3G18FSNDSR.....	P. 210	JBXEZ1G08MPNDSR.....	P. 138
JBXER2G18MSSDSR.....	P. 204	JBXER3G18FSSDSR.....	P. 210	JBXEZ1G08MPSDSR.....	P. 138
JBXER2G19FCNDSR.....	P. 214	JBXER3G18MCNDSR.....	P. 210	JBXEZ1G10FPNDSR.....	P. 164
JBXER2G19FCSDSR.....	P. 214	JBXER3G18MCSDSR.....	P. 210	JBXEZ1G10FPSDSR.....	P. 164
JBXER2G19FPNDSR.....	P. 214	JBXER3G18MSNDSR.....	P. 210	JBXEZ1G12FPNDSR.....	P. 184
JBXER2G19FPSDSR.....	P. 214	JBXER3G18MSSDSR.....	P. 210	JBXEZ1G12FPSDSR.....	P. 184
JBXER2G19FSNDSR.....	P. 214	JBXER3G22FCNDSR.....	P. 220	JBXFC0G02FCNDSMR.....	P. 20
JBXER2G19FSSDSR.....	P. 214	JBXER3G22FCSDSR.....	P. 220	JBXFC0G02FCNDSR.....	P. 20
JBXER2G19MCNDSR.....	P. 214	JBXER3G22FSNDSR.....	P. 220	JBXFC0G02FCSDSMR.....	P. 20
JBXER2G19MCSDSR.....	P. 214	JBXER3G22FSSDSR.....	P. 220	JBXFC0G02FCSDSR.....	P. 20
JBXER2G19MPNDSR.....	P. 214	JBXER3G22MCNDSR.....	P. 220	JBXFC0G02FCSNDSMR.....	P. 20
JBXER2G19MPSDSR.....	P. 214	JBXER3G22MCSDSR.....	P. 220	JBXFC0G02FSNDSR.....	P. 20
JBXER2G19MSNDSR.....	P. 214	JBXER3G22MSNDSR.....	P. 220	JBXFC0G02FSSDSMR.....	P. 20
JBXER2G19MSSDSR.....	P. 214	JBXER3G22MSSDSR.....	P. 220	JBXFC0G02FSSDSR.....	P. 20
JBXER3G03FCNDSR.....	P. 52	JBXER3G30FCNDSR.....	P. 224	JBXFC0G02MCNDSMR.....	P. 20
JBXER3G03FCSDSR.....	P. 52	JBXER3G30FCSDSR.....	P. 224	JBXFC0G02MCNDSR.....	P. 20
JBXER3G03FSNDSR.....	P. 52	JBXER3G30FSNDSR.....	P. 224	JBXFC0G02MCSNDSMR.....	P. 20
JBXER3G03FSSDSR.....	P. 52	JBXER3G30FSSDSR.....	P. 224	JBXFC0G02MCSDSR.....	P. 20
JBXER3G03MCNDSR.....	P. 52	JBXER3G30MCNDSR.....	P. 224	JBXFC0G02MSNDSMR.....	P. 20
JBXER3G03MCSDSR.....	P. 52	JBXER3G30MCSDSR.....	P. 224	JBXFC0G02MSNDSR.....	P. 20
JBXER3G03MSNDSR.....	P. 52	JBXER3G30MSNDSR.....	P. 224	JBXFC0G02MSSDSMR.....	P. 20
JBXER3G03MSSDSR.....	P. 52	JBXER3G30MSSDSR.....	P. 224	JBXFC0G02MSSDSR.....	P. 20
JBXER3G04FCNDSR.....	P. 76	JBXEZ0G02FPNDSR.....	P. 20	JBXFC0G03FCNDSMR.....	P. 36
JBXER3G04FCSDSR.....	P. 76	JBXEZ0G02FPSDSR.....	P. 20	JBXFC0G03FCNDSR.....	P. 36
JBXER3G04FSNDSR.....	P. 76	JBXEZ0G03FPNDSR.....	P. 36	JBXFC0G03FCSDSMR.....	P. 36
JBXER3G04FSSDSR.....	P. 76	JBXEZ0G03FPSDSR.....	P. 36	JBXFC0G03FCSDSR.....	P. 36
JBXER3G04MCNDSR.....	P. 76	JBXEZ0G04FPNDSR.....	P. 60	JBXFC0G03FSNDSMR.....	P. 36
JBXER3G04MCSDSR.....	P. 76	JBXEZ0G04FPSDSR.....	P. 60	JBXFC0G03FCSNDSR.....	P. 36
JBXER3G04MSNDSR.....	P. 76	JBXEZ0G04MPNDSR.....	P. 60	JBXFC0G03FSSDSMR.....	P. 36
JBXER3G04MSSDSR.....	P. 76	JBXEZ0G04MPSDSR.....	P. 60	JBXFC0G03FSSDSR.....	P. 36
JBXER3G07FCNDSR.....	P. 128	JBXEZ0G05FPNDSR.....	P. 80	JBXFC0G03MCNDSMR.....	P. 36
JBXER3G07FCSDSR.....	P. 128	JBXEZ0G05FPSDSR.....	P. 80	JBXFC0G03MCNDSR.....	P. 36
JBXER3G07FSNDSR.....	P. 128	JBXEZ0G05MPNDSR.....	P. 80	JBXFC0G03MCSNDSMR.....	P. 36
JBXER3G07FSSDSR.....	P. 128	JBXEZ0G05MPSDSR.....	P. 80	JBXFC0G03MCSDSR.....	P. 36
JBXER3G07MCNDSR.....	P. 128	JBXEZ0G06FPNDSR.....	P. 96	JBXFC0G03MCSNDSMR.....	P. 36
JBXER3G07MCSDSR.....	P. 128	JBXEZ0G06FPSDSR.....	P. 96	JBXFC0G03MSSDSMR.....	P. 36
JBXER3G07MSNDSR.....	P. 128	JBXEZ0G06MPNDSR.....	P. 96	JBXFC0G03MSSDSR.....	P. 36
JBXER3G07MSSDSR.....	P. 128	JBXEZ0G06MPSDSR.....	P. 96	JBXFC0G03MSSDSR.....	P. 36
JBXER3G08FCNDSR.....	P. 154	JBXEZ0G07FPNDSR.....	P. 112	JBXFC0G04FCNDSMR.....	P. 60
JBXER3G08FCSDSR.....	P. 154	JBXEZ0G07FPSDSR.....	P. 112	JBXFC0G04FCSNDSR.....	P. 60
JBXER3G08FSNDSR.....	P. 154	JBXEZ0G07MPNDSR.....	P. 112	JBXFC0G04FCSDSMR.....	P. 60
JBXER3G08FSSDSR.....	P. 154	JBXEZ0G07MPSDSR.....	P. 112	JBXFC0G04FCSDSR.....	P. 60
JBXER3G08MCNDSR.....	P. 154	JBXEZ0G08FPNDSR.....	P. 132	JBXFC0G04FSNDSMR.....	P. 60
JBXER3G08MCSDSR.....	P. 154	JBXEZ0G08FPSDSR.....	P. 132	JBXFC0G04FSNDSR.....	P. 60
JBXER3G08MSNDSR.....	P. 154	JBXEZ0G08MPNDSR.....	P. 132	JBXFC0G04FSSDSMR.....	P. 60
JBXER3G08MSSDSR.....	P. 154	JBXEZ0G08MPSDSR.....	P. 132	JBXFC0G04FSSDSR.....	P. 60
JBXER3G10FCNDSR.....	P. 180	JBXEZ1G02FPNDSR.....	P. 26	JBXFC0G04MCSNDSMR.....	P. 60
JBXER3G10FCSDSR.....	P. 180	JBXEZ1G02FPSDSR.....	P. 26	JBXFC0G04MCNDSR.....	P. 60
JBXER3G10FSNDSR.....	P. 180	JBXEZ1G03FPNDSR.....	P. 42	JBXFC0G04MCSNDSMR.....	P. 60
JBXER3G10FSSDSR.....	P. 180	JBXEZ1G03FPSDSR.....	P. 42	JBXFC0G04MCSDSR.....	P. 60
JBXER3G10MCNDSR.....	P. 180	JBXEZ1G04FPNDSR.....	P. 66	JBXFC0G04MSNDSMR.....	P. 60
JBXER3G10MCSDSR.....	P. 180	JBXEZ1G04FPSDSR.....	P. 66	JBXFC0G04MSNDSR.....	P. 60
JBXER3G10MSNDSR.....	P. 180	JBXEZ1G05FPNDSR.....	P. 86	JBXFC0G04MSSDSMR.....	P. 60
JBXER3G10MSSDSR.....	P. 180	JBXEZ1G05MPSDSR.....	P. 86	JBXFC0G04MSSDSR.....	P. 60
JBXER3G14FCNDSR.....	P. 194	JBXEZ1G06FPNDSR.....	P. 102	JBXFC0G05FCNDSMR.....	P. 80
JBXER3G14FCSDSR.....	P. 194	JBXEZ1G06FPSDSR.....	P. 102	JBXFC0G05FCNDSR.....	P. 80
JBXER3G14FSNDSR.....	P. 194	JBXEZ1G06MPNDSR.....	P. 102	JBXFC0G05FCSNDSMR.....	P. 80
JBXER3G14FSSDSR.....	P. 194	JBXEZ1G06MPSDSR.....	P. 102	JBXFC0G05FCSDSR.....	P. 80
JBXER3G14MCNDSR.....	P. 194	JBXEZ1G07FPNDSR.....	P. 118	JBXFC0G05FCSNDSMR.....	P. 80
JBXER3G14MCSDSR.....	P. 194	JBXEZ1G07FPSDSR.....	P. 118	JBXFC0G05FSNDSR.....	P. 80
JBXER3G14MSNDSR.....	P. 194	JBXEZ1G07MPNDSR.....	P. 118	JBXFC0G05FSSDSMR.....	P. 80
JBXER3G14MSSDSR.....	P. 194	JBXEZ1G07MPSDSR.....	P. 118	JBXFC0G05FSSDSR.....	P. 80

Part Number Index (Continued)

JBXFC0G05MCNDSMR.....	P. 80	JBXFC1G06FCNDSMR.....	P. 102	JBXFC2G07FCNDSMR.....	P. 122
JBXFC0G05MCNDSR.....	P. 80	JBXFC1G06FCNDSR.....	P. 102	JBXFC2G07FCNDSR.....	P. 122
JBXFC0G05MCSDSMR.....	P. 80	JBXFC1G06FCSDSMR.....	P. 102	JBXFC2G07FCSDSMR.....	P. 122
JBXFC0G05MCSDSR.....	P. 80	JBXFC1G06FCSDSR.....	P. 102	JBXFC2G07FCSDSR.....	P. 122
JBXFC0G05MSNDSMR.....	P. 80	JBXFC1G06MCNDSMR.....	P. 102	JBXFC2G07MCNDSMR.....	P. 122
JBXFC0G05MSNDSR.....	P. 80	JBXFC1G06MCNDSR.....	P. 102	JBXFC2G07MCNDSR.....	P. 122
JBXFC0G05MSSDSMR.....	P. 80	JBXFC1G06MCSDSMR.....	P. 102	JBXFC2G07MCSDSMR.....	P. 122
JBXFC0G05MSSDSR.....	P. 80	JBXFC1G06MCSDSR.....	P. 102	JBXFC2G07MCSDSR.....	P. 122
JBXFC0G06FSNDSMR.....	P. 96	JBXFC1G07FCNDSMR.....	P. 118	JBXFC2G08FCNDSMR.....	P. 142
JBXFC0G06FSNDSR.....	P. 96	JBXFC1G07FCNDSR.....	P. 118	JBXFC2G08FCNDSR.....	P. 142
JBXFC0G06FSSDSMR.....	P. 96	JBXFC1G07FCSDSMR.....	P. 118	JBXFC2G08FCSDSMR.....	P. 142
JBXFC0G06FSSDSR.....	P. 96	JBXFC1G07FCSDSR.....	P. 118	JBXFC2G08FCSDSR.....	P. 142
JBXFC0G06MSNDSMR.....	P. 96	JBXFC1G07MCNDSMR.....	P. 118	JBXFC2G08MCNDSMR.....	P. 142
JBXFC0G06MSNDSR.....	P. 96	JBXFC1G07MCNDSR.....	P. 118	JBXFC2G08MCNDSR.....	P. 142
JBXFC0G06MSSDSMR.....	P. 96	JBXFC1G07MCSDSMR.....	P. 118	JBXFC2G08MCSDSMR.....	P. 142
JBXFC0G06MSSDSR.....	P. 96	JBXFC1G07MCSDSR.....	P. 118	JBXFC2G08MCSDSR.....	P. 142
JBXFC0G07FSNDSMR.....	P. 112	JBXFC1G08FCNDSMR.....	P. 138	JBXFC2G10FCNDSMR.....	P. 168
JBXFC0G07FSNDSR.....	P. 112	JBXFC1G08FCNDSR.....	P. 138	JBXFC2G10FCNDSR.....	P. 168
JBXFC0G07FSSDSMR.....	P. 112	JBXFC1G08FCSDSMR.....	P. 138	JBXFC2G10FCSDSMR.....	P. 168
JBXFC0G07FSSDSR.....	P. 112	JBXFC1G08FCSDSR.....	P. 138	JBXFC2G10FCSDSR.....	P. 168
JBXFC0G07MSNDSMR.....	P. 112	JBXFC1G08MCNDSMR.....	P. 138	JBXFC2G10MCNDSMR.....	P. 168
JBXFC0G07MSNDSR.....	P. 112	JBXFC1G08MCNDSR.....	P. 138	JBXFC2G10MCNDSR.....	P. 168
JBXFC0G07MSSDSMR.....	P. 112	JBXFC1G08MCSDSMR.....	P. 138	JBXFC2G10MCSDSMR.....	P. 168
JBXFC0G07MSSDSR.....	P. 112	JBXFC1G08MCSDSR.....	P. 138	JBXFC2G10MCSDSR.....	P. 168
JBXFC0G08FSNDSMR.....	P. 132	JBXFC2G02FCNDSMR.....	P. 30	JBXFC2G12FCNDSMR.....	P. 188
JBXFC0G08FSNDSR.....	P. 132	JBXFC2G02FCNDSR.....	P. 30	JBXFC2G12FCNDSR.....	P. 188
JBXFC0G08FSSDSMR.....	P. 132	JBXFC2G02FCSDSMR.....	P. 30	JBXFC2G12FCSDSMR.....	P. 188
JBXFC0G08FSSDSR.....	P. 132	JBXFC2G02FCSDSR.....	P. 30	JBXFC2G12FCSDSR.....	P. 188
JBXFC0G08MSNDSMR.....	P. 132	JBXFC2G02MCNDSMR.....	P. 30	JBXFC2G12MCNDSMR.....	P. 188
JBXFC0G08MSNDSR.....	P. 132	JBXFC2G02MCNDSR.....	P. 30	JBXFC2G12MCNDSR.....	P. 188
JBXFC0G08MSSDSMR.....	P. 132	JBXFC2G02MCSDSMR.....	P. 30	JBXFC2G12MCSDSMR.....	P. 188
JBXFC0G08MSSDSR.....	P. 132	JBXFC2G02MCSDSR.....	P. 30	JBXFC2G12MCSDSR.....	P. 188
JBXFC1G02FCNDSMR.....	P. 26	JBXFC2G03FCNDSMR.....	P. 46	JBXFC2G16FCNDSMR.....	P. 198
JBXFC1G02FCNDSR.....	P. 26	JBXFC2G03FCNDSR.....	P. 46	JBXFC2G16FCNDSR.....	P. 198
JBXFC1G02FCSDSMR.....	P. 26	JBXFC2G03FCSDSMR.....	P. 46	JBXFC2G16FCSDSMR.....	P. 198
JBXFC1G02FCSDSR.....	P. 26	JBXFC2G03FCSDSR.....	P. 46	JBXFC2G16FCSDSR.....	P. 198
JBXFC1G02MCNDSMR.....	P. 26	JBXFC2G03MCNDSMR.....	P. 46	JBXFC2G16MCNDSMR.....	P. 198
JBXFC1G02MCNDSR.....	P. 26	JBXFC2G03MCNDSR.....	P. 46	JBXFC2G16MCNDSR.....	P. 198
JBXFC1G02MCSDSMR.....	P. 26	JBXFC2G03MCSDSMR.....	P. 46	JBXFC2G16MCSDSMR.....	P. 198
JBXFC1G02MCSDSR.....	P. 26	JBXFC2G03MCSDSR.....	P. 46	JBXFC2G16MCSDSR.....	P. 198
JBXFC1G03FCNDSMR.....	P. 42	JBXFC2G04FCNDSMR.....	P. 70	JBXFC2G18FCNDSMR.....	P. 204
JBXFC1G03FCNDSR.....	P. 42	JBXFC2G04FCNDSR.....	P. 70	JBXFC2G18FCNDSR.....	P. 204
JBXFC1G03FCSDSMR.....	P. 42	JBXFC2G04FCSDSMR.....	P. 70	JBXFC2G18FCSDSMR.....	P. 204
JBXFC1G03FCSDSR.....	P. 42	JBXFC2G04FCSDSR.....	P. 70	JBXFC2G18FCSDSR.....	P. 204
JBXFC1G03MCNDSMR.....	P. 42	JBXFC2G04MCNDSMR.....	P. 70	JBXFC2G18MCNDSMR.....	P. 204
JBXFC1G03MCNDSR.....	P. 42	JBXFC2G04MCNDSR.....	P. 70	JBXFC2G18MCNDSR.....	P. 204
JBXFC1G03MCSDSMR.....	P. 42	JBXFC2G04MCSDSMR.....	P. 70	JBXFC2G18MCSDSMR.....	P. 204
JBXFC1G03MCSDSR.....	P. 42	JBXFC2G04MCSDSR.....	P. 70	JBXFC2G18MCSDSR.....	P. 204
JBXFC1G04FCNDSMR.....	P. 66	JBXFC2G05FCNDSMR.....	P. 90	JBXFC2G19FCNDSMR.....	P. 214
JBXFC1G04FCNDSR.....	P. 66	JBXFC2G05FCNDSR.....	P. 90	JBXFC2G19FCNDSR.....	P. 214
JBXFC1G04FCSDSMR.....	P. 66	JBXFC2G05FCSDSMR.....	P. 90	JBXFC2G19FCSDSMR.....	P. 214
JBXFC1G04FCSDSR.....	P. 66	JBXFC2G05FCSDSR.....	P. 90	JBXFC2G19FCSDSR.....	P. 214
JBXFC1G04MCNDSMR.....	P. 66	JBXFC2G05MCNDSMR.....	P. 90	JBXFC2G19MCNDSMR.....	P. 214
JBXFC1G04MCNDSR.....	P. 66	JBXFC2G05MCNDSR.....	P. 90	JBXFC2G19MCNDSR.....	P. 214
JBXFC1G04MCSDSMR.....	P. 66	JBXFC2G05MCSDSMR.....	P. 90	JBXFC2G19MCSDSMR.....	P. 214
JBXFC1G04MCSDSR.....	P. 66	JBXFC2G05MCSDSR.....	P. 90	JBXFC2G19MCSDSR.....	P. 214
JBXFC1G05FCNDSMR.....	P. 86	JBXFC2G06FCNDSMR.....	P. 106	JBXFC3G03FCNDSMR.....	P. 52
JBXFC1G05FCNDSR.....	P. 86	JBXFC2G06FCNDSR.....	P. 106	JBXFC3G03FCNDSR.....	P. 52
JBXFC1G05FCSDSMR.....	P. 86	JBXFC2G06FCSDSMR.....	P. 106	JBXFC3G03FCSDSMR.....	P. 52
JBXFC1G05FCSDSR.....	P. 86	JBXFC2G06FCSDSR.....	P. 106	JBXFC3G03FCSDSR.....	P. 52
JBXFC1G05MCNDSMR.....	P. 86	JBXFC2G06MCNDSMR.....	P. 106	JBXFC3G03MCNDSMR.....	P. 52
JBXFC1G05MCNDSR.....	P. 86	JBXFC2G06MCNDSR.....	P. 106	JBXFC3G03MCNDSR.....	P. 52
JBXFC1G05MCSDSMR.....	P. 86	JBXFC2G06MCSDSMR.....	P. 106	JBXFC3G03MCSDSMR.....	P. 52
JBXFC1G05MCSDSR.....	P. 86	JBXFC2G06MCSDSR.....	P. 106	JBXFC3G03MCSDSR.....	P. 52

JBXFC3G04FCNDSMR.....	P. 76	JBXFD0G02FSNDSMR.....	P. 16	JBXFD0G05FCNDSMR.....	P. 80
JBXFC3G04FCNDSR.....	P. 76	JBXFD0G02FSNDSR.....	P. 16	JBXFD0G05FCNDSR.....	P. 80
JBXFC3G04FCSDSMR.....	P. 76	JBXFD0G02FSSDSMR.....	P. 16	JBXFD0G05FCSDSMR.....	P. 80
JBXFC3G04FCSDSR.....	P. 76	JBXFD0G02FSSDSR.....	P. 16	JBXFD0G05FCSDSR.....	P. 80
JBXFC3G04MCNDSMR.....	P. 76	JBXFD0G02MSNDSMR.....	P. 16	JBXFD0G05FSNDSMR.....	P. 80
JBXFC3G04MCNDSR.....	P. 76	JBXFD0G02MSNDSR.....	P. 16	JBXFD0G05FSNDSR.....	P. 80
JBXFC3G04MCSDSMR.....	P. 76	JBXFD0G02MSSDSMR.....	P. 16	JBXFD0G05FSSDSMR.....	P. 80
JBXFC3G04MCSDSR.....	P. 76	JBXFD0G02MSSDSR.....	P. 16	JBXFD0G05FSSDSR.....	P. 80
JBXFC3G07FCNDSMR.....	P. 128	JBXFD0G04FSNDSMR.....	P. 56	JBXFD0G05MCNDSMR.....	P. 80
JBXFC3G07FCNDSR.....	P. 128	JBXFD0G04FSNDSR.....	P. 56	JBXFD0G05MCNDSR.....	P. 80
JBXFC3G07FCSDSMR.....	P. 128	JBXFD0G04FSSDSMR.....	P. 56	JBXFD0G05MCSDSMR.....	P. 80
JBXFC3G07FCSDSR.....	P. 128	JBXFD0G04FSSDSR.....	P. 56	JBXFD0G05MCSDSR.....	P. 80
JBXFC3G07MCNDSMR.....	P. 128	JBXFD0G04MSNDSMR.....	P. 56	JBXFD0G05MSNDSMR.....	P. 80
JBXFC3G07MCNDSR.....	P. 128	JBXFD0G04MSNDSR.....	P. 56	JBXFD0G05MSNDSR.....	P. 80
JBXFC3G07MCSDSMR.....	P. 128	JBXFD0G04MSSDSMR.....	P. 56	JBXFD0G05MSSDSMR.....	P. 80
JBXFC3G07MCSDSR.....	P. 128	JBXFD0G04MSSDSR.....	P. 56	JBXFD0G05MSSDSR.....	P. 80
JBXFC3G08FCNDSMR.....	P. 154	JBXFD0G02FCNDSMR.....	P. 20	JBXFD0G06FSNDSMR.....	P. 96
JBXFC3G08FCNDSR.....	P. 154	JBXFD0G02FCNDSR.....	P. 20	JBXFD0G06FSNDSR.....	P. 96
JBXFC3G08FCSDSMR.....	P. 154	JBXFD0G02FSSDSMR.....	P. 20	JBXFD0G06FSSDSMR.....	P. 96
JBXFC3G08FCSDSR.....	P. 154	JBXFD0G02FSSDSR.....	P. 20	JBXFD0G06FSSDSR.....	P. 96
JBXFC3G08MCNDSMR.....	P. 154	JBXFD0G02FSNDSMR.....	P. 20	JBXFD0G06MSNDSMR.....	P. 96
JBXFC3G08MCNDSR.....	P. 154	JBXFD0G02FSNDSR.....	P. 20	JBXFD0G06MSNDSR.....	P. 96
JBXFC3G08MCSDSMR.....	P. 154	JBXFD0G02FSSDSMR.....	P. 20	JBXFD0G06MSSDSMR.....	P. 96
JBXFC3G08MCSDSR.....	P. 154	JBXFD0G02FSSDSR.....	P. 20	JBXFD0G06MSSDSR.....	P. 96
JBXFC3G08MCSDSMR.....	P. 180	JBXFD0G02MCNDSMR.....	P. 20	JBXFD0G07FSNDSMR.....	P. 112
JBXFC3G08MCSDSR.....	P. 180	JBXFD0G02MCNDSR.....	P. 20	JBXFD0G07FSNDSR.....	P. 112
JBXFC3G10FCNDSMR.....	P. 180	JBXFD0G02MCSDSMR.....	P. 20	JBXFD0G07FSSDSMR.....	P. 112
JBXFC3G10FCNDSR.....	P. 180	JBXFD0G02MCSDSR.....	P. 20	JBXFD0G07FSSDSR.....	P. 112
JBXFC3G10FCSDSMR.....	P. 180	JBXFD0G02MSNDSMR.....	P. 20	JBXFD0G07MSNDSMR.....	P. 112
JBXFC3G10FCSDSR.....	P. 180	JBXFD0G02MSNDSR.....	P. 20	JBXFD0G07MSNDSR.....	P. 112
JBXFC3G10MCNDSMR.....	P. 180	JBXFD0G02MSSDSMR.....	P. 20	JBXFD0G07MSSDSMR.....	P. 112
JBXFC3G10MCNDSR.....	P. 180	JBXFD0G02MSSDSR.....	P. 20	JBXFD0G07MSSDSR.....	P. 112
JBXFC3G10MCSDSMR.....	P. 180	JBXFD0G03FCNDSMR.....	P. 36	JBXFD0G08FSNDSMR.....	P. 132
JBXFC3G10MCSDSR.....	P. 180	JBXFD0G03FCNDSR.....	P. 36	JBXFD0G08FSNDSR.....	P. 132
JBXFC3G10MCSDSMR.....	P. 180	JBXFD0G03FSSDSMR.....	P. 36	JBXFD0G08FSSDSMR.....	P. 132
JBXFC3G10MCSDSR.....	P. 180	JBXFD0G03FSSDSR.....	P. 36	JBXFD0G08FSSDSR.....	P. 132
JBXFC3G14FCNDSMR.....	P. 194	JBXFD0G03FCSDSMR.....	P. 36	JBXFD0G08MSSDSMR.....	P. 132
JBXFC3G14FCNDSR.....	P. 194	JBXFD0G03FCSDSR.....	P. 36	JBXFD0G08MSSDSR.....	P. 132
JBXFC3G14FCSDSMR.....	P. 194	JBXFD0G03FSSDSMR.....	P. 36	JBXFD0G08MSSDSR.....	P. 132
JBXFC3G14FCSDSR.....	P. 194	JBXFD0G03FSSDSR.....	P. 36	JBXFD0G08MSSDSR.....	P. 132
JBXFC3G14MCNDSMR.....	P. 194	JBXFD0G03FSNDSMR.....	P. 36	JBXFD1G02FCNDSMR.....	P. 26
JBXFC3G14MCNDSR.....	P. 194	JBXFD0G03FSNDSR.....	P. 36	JBXFD1G02FCNDSR.....	P. 26
JBXFC3G14MCSDSMR.....	P. 194	JBXFD0G03FSSDSMR.....	P. 36	JBXFD1G02FSSDSMR.....	P. 26
JBXFC3G14MCSDSR.....	P. 194	JBXFD0G03FSSDSR.....	P. 36	JBXFD1G02FSSDSR.....	P. 26
JBXFC3G18FCNDSMR.....	P. 210	JBXFD0G03MCNDSMR.....	P. 36	JBXFD1G02MSSDSMR.....	P. 26
JBXFC3G18FCNDSR.....	P. 210	JBXFD0G03MCNDSR.....	P. 36	JBXFD1G02MSSDSR.....	P. 26
JBXFC3G18FCSDSMR.....	P. 210	JBXFD0G03MCSDSMR.....	P. 36	JBXFD1G03FCNDSMR.....	P. 42
JBXFC3G18FCSDSR.....	P. 210	JBXFD0G03MCSDSR.....	P. 36	JBXFD1G03FCNDSR.....	P. 42
JBXFC3G18MCNDSMR.....	P. 210	JBXFD0G03MSNDSMR.....	P. 36	JBXFD1G03FSSDSMR.....	P. 42
JBXFC3G18MCNDSR.....	P. 210	JBXFD0G03MSNDSR.....	P. 36	JBXFD1G03FSSDSR.....	P. 42
JBXFC3G18MCSDSMR.....	P. 210	JBXFD0G03MSSDSMR.....	P. 36	JBXFD1G03FSSDSMR.....	P. 42
JBXFC3G18MCSDSR.....	P. 210	JBXFD0G03MSSDSR.....	P. 36	JBXFD1G03FSSDSMR.....	P. 42
JBXFC3G22FCNDSMR.....	P. 220	JBXFD0G04FCNDSMR.....	P. 60	JBXFD1G03FSSDSMR.....	P. 42
JBXFC3G22FCNDSR.....	P. 220	JBXFD0G04FCNDSR.....	P. 60	JBXFD1G03FSSDSMR.....	P. 42
JBXFC3G22FCSDSMR.....	P. 220	JBXFD0G04FSSDSMR.....	P. 60	JBXFD1G03FSSDSMR.....	P. 42
JBXFC3G22FCSDSR.....	P. 220	JBXFD0G04FSSDSR.....	P. 60	JBXFD1G03FSSDSMR.....	P. 42
JBXFC3G22MCNDSMR.....	P. 220	JBXFD0G04FSNDSMR.....	P. 60	JBXFD1G03FSSDSMR.....	P. 42
JBXFC3G22MCNDSR.....	P. 220	JBXFD0G04FSNDSR.....	P. 60	JBXFD1G03FSSDSMR.....	P. 42
JBXFC3G22MCSDSMR.....	P. 220	JBXFD0G04FSSDSMR.....	P. 60	JBXFD1G03FSSDSMR.....	P. 42
JBXFC3G22MCSDSR.....	P. 220	JBXFD0G04FSSDSR.....	P. 60	JBXFD1G03FSSDSMR.....	P. 42
JBXFC3G30FCNDSMR.....	P. 224	JBXFD0G04MCNDSMR.....	P. 60	JBXFD1G03FSSDSMR.....	P. 42
JBXFC3G30FCNDSR.....	P. 224	JBXFD0G04MCNDSR.....	P. 60	JBXFD1G03FSSDSMR.....	P. 42
JBXFC3G30FCSDSMR.....	P. 224	JBXFD0G04MCSDSMR.....	P. 60	JBXFD1G03FSSDSMR.....	P. 42
JBXFC3G30FCSDSR.....	P. 224	JBXFD0G04MCSDSR.....	P. 60	JBXFD1G03FSSDSMR.....	P. 42
JBXFC3G30MCNDSMR.....	P. 224	JBXFD0G04MSNDSMR.....	P. 60	JBXFD1G03FSSDSMR.....	P. 42
JBXFC3G30MCNDSR.....	P. 224	JBXFD0G04MSNDSR.....	P. 60	JBXFD1G03FSSDSMR.....	P. 42
JBXFC3G30MCSDSMR.....	P. 224	JBXFD0G04MSSDSMR.....	P. 60	JBXFD1G03FSSDSMR.....	P. 42
JBXFC3G30MCSDSR.....	P. 224	JBXFD0G04MSSDSR.....	P. 60	JBXFD1G03FSSDSMR.....	P. 42

Part Number Index (Continued)

JBXFD1G03MCNDSMR	P. 42	JBXFD1G07MCNDSMR	P. 118	JBXFD2G02FCNDSMR	P. 30
JBXFD1G03MCNDSR	P. 42	JBXFD1G07MCNDSR	P. 118	JBXFD2G02FCNDSR	P. 30
JBXFD1G03MCSDSMR	P. 42	JBXFD1G07MCSDSMR	P. 118	JBXFD2G02FCSDSMR	P. 30
JBXFD1G03MCSDSR	P. 42	JBXFD1G07MCSDSR	P. 118	JBXFD2G02FCSDSR	P. 30
JBXFD1G03MSNDSMR	P. 42	JBXFD1G07MSNDSMR	P. 118	JBXFD2G02FSNDSMR	P. 30
JBXFD1G03MSNDSR	P. 42	JBXFD1G07MSNDSR	P. 118	JBXFD2G02FSNDSR	P. 30
JBXFD1G03MSSDSMR	P. 42	JBXFD1G07MSSDSMR	P. 118	JBXFD2G02FSSDSMR	P. 30
JBXFD1G03MSSDSR	P. 42	JBXFD1G07MSSDSR	P. 118	JBXFD2G02FSSDSR	P. 30
JBXFD1G04FCNDSMR	P. 66	JBXFD1G08FCNDSMR	P. 138	JBXFD2G02MCNDSMR	P. 30
JBXFD1G04FCNDSR	P. 66	JBXFD1G08FCNDSR	P. 138	JBXFD2G02MCNDSR	P. 30
JBXFD1G04FCSDSMR	P. 66	JBXFD1G08FCSDSMR	P. 138	JBXFD2G02MCSDSMR	P. 30
JBXFD1G04FCSDSR	P. 66	JBXFD1G08FCSDSR	P. 138	JBXFD2G02MCSDSR	P. 30
JBXFD1G04FSNDSMR	P. 66	JBXFD1G08FSNDSMR	P. 138	JBXFD2G02MSNDSMR	P. 30
JBXFD1G04FSNDSR	P. 66	JBXFD1G08FSNDSR	P. 138	JBXFD2G02MSNDSR	P. 30
JBXFD1G04FSSDSMR	P. 66	JBXFD1G08FSSDSMR	P. 138	JBXFD2G02MSSDSMR	P. 30
JBXFD1G04FSSDSR	P. 66	JBXFD1G08FSSDSR	P. 138	JBXFD2G02MSSDSR	P. 30
JBXFD1G04MCNDSMR	P. 66	JBXFD1G08MCNDSMR	P. 138	JBXFD2G03FCNDSMR	P. 46
JBXFD1G04MCNDSR	P. 66	JBXFD1G08MCNDSR	P. 138	JBXFD2G03FCNDSR	P. 46
JBXFD1G04MCSDSMR	P. 66	JBXFD1G08MCSDSMR	P. 138	JBXFD2G03FCSDSMR	P. 46
JBXFD1G04MCSDSR	P. 66	JBXFD1G08MCSDSR	P. 138	JBXFD2G03FCSDSR	P. 46
JBXFD1G04MSNDSMR	P. 66	JBXFD1G08MSNDSMR	P. 138	JBXFD2G03FSNDSMR	P. 46
JBXFD1G04MSNDSR	P. 66	JBXFD1G08MSNDSR	P. 138	JBXFD2G03FSNDSR	P. 46
JBXFD1G04MSSDSMR	P. 66	JBXFD1G08MSSDSMR	P. 138	JBXFD2G03FSSDSMR	P. 46
JBXFD1G04MSSDSR	P. 66	JBXFD1G08MSSDSR	P. 138	JBXFD2G03FSSDSR	P. 46
JBXFD1G05FCNDSMR	P. 86	JBXFD1G10FSNDSMR	P. 164	JBXFD2G03MCNDSMR	P. 46
JBXFD1G05FCNDSR	P. 86	JBXFD1G10FSNDSR	P. 164	JBXFD2G03MCNDSR	P. 46
JBXFD1G05FCSDSMR	P. 86	JBXFD1G10FSSDSMR	P. 164	JBXFD2G03MCSDSMR	P. 46
JBXFD1G05FCSDSR	P. 86	JBXFD1G10FSSDSR	P. 164	JBXFD2G03MCSDSR	P. 46
JBXFD1G05FSNDSMR	P. 86	JBXFD1G10MSNDSMR	P. 164	JBXFD2G03MSNDSMR	P. 46
JBXFD1G05FSNDSR	P. 86	JBXFD1G10MSNDSR	P. 164	JBXFD2G03MSNDSR	P. 46
JBXFD1G05FSSDSMR	P. 86	JBXFD1G10MSSDSMR	P. 164	JBXFD2G03MSSDSMR	P. 46
JBXFD1G05FSSDSR	P. 86	JBXFD1G10MSSDSR	P. 164	JBXFD2G03MSSDSR	P. 46
JBXFD1G05MCNDSMR	P. 86	JBXFD1G12FSNDSMR	P. 184	JBXFD2G04FCNDSMR	P. 70
JBXFD1G05MCNDSR	P. 86	JBXFD1G12FSNDSR	P. 184	JBXFD2G04FCNDSR	P. 70
JBXFD1G05MCSDSMR	P. 86	JBXFD1G12FSSDSMR	P. 184	JBXFD2G04FCSDSMR	P. 70
JBXFD1G05MCSDSR	P. 86	JBXFD1G12FSSDSR	P. 184	JBXFD2G04FCSDSR	P. 70
JBXFD1G05MSNDSMR	P. 86	JBXFD1G12MSNDSMR	P. 184	JBXFD2G04FSNDSMR	P. 70
JBXFD1G05MSNDSR	P. 86	JBXFD1G12MSNDSR	P. 184	JBXFD2G04FSNDSR	P. 70
JBXFD1G05MSSDSMR	P. 86	JBXFD1G12MSSDSMR	P. 184	JBXFD2G04FSSDSMR	P. 70
JBXFD1G05MSSDSR	P. 86	JBXFD1G12MSSDSR	P. 184	JBXFD2G04FSSDSR	P. 70
JBXFD1G06FCNDSMR	P. 102	JBXFD2G001FSNDSMR	P. 148	JBXFD2G04MCNDSMR	P. 70
JBXFD1G06FCNDSR	P. 102	JBXFD2G001FSNDSR	P. 148	JBXFD2G04MCNDSR	P. 70
JBXFD1G06FCSDSMR	P. 102	JBXFD2G001FSSDSMR	P. 148	JBXFD2G04MCSDSMR	P. 70
JBXFD1G06FCSDSR	P. 102	JBXFD2G001FSSDSR	P. 148	JBXFD2G04MCSDSR	P. 70
JBXFD1G06FSNDSMR	P. 102	JBXFD2G001MSNDSMR	P. 148	JBXFD2G04MSNDSMR	P. 70
JBXFD1G06FSNDSR	P. 102	JBXFD2G001MSNDSR	P. 148	JBXFD2G04MSNDSR	P. 70
JBXFD1G06FSSDSMR	P. 102	JBXFD2G001MSSDSMR	P. 148	JBXFD2G04MSSDSMR	P. 70
JBXFD1G06FSSDSR	P. 102	JBXFD2G001MSSDSR	P. 148	JBXFD2G04MSSDSR	P. 70
JBXFD1G06MCNDSMR	P. 102	JBXFD2G002FSNDSMR	P. 158	JBXFD2G04MSNDSMR	P. 90
JBXFD1G06MCNDSR	P. 102	JBXFD2G002FSNDSR	P. 158	JBXFD2G05FCNDSMR	P. 90
JBXFD1G06MCSDSMR	P. 102	JBXFD2G002FSSDSMR	P. 158	JBXFD2G05FCSDSMR	P. 90
JBXFD1G06MCSDSR	P. 102	JBXFD2G002FSSDSR	P. 158	JBXFD2G05FCSDSR	P. 90
JBXFD1G06MSNDSMR	P. 102	JBXFD2G002MSNDSMR	P. 158	JBXFD2G05FSNDSMR	P. 90
JBXFD1G06MSNDSR	P. 102	JBXFD2G002MSNDSR	P. 158	JBXFD2G05FSNDSR	P. 90
JBXFD1G06MSSDSMR	P. 102	JBXFD2G002MSSDSMR	P. 158	JBXFD2G05FSSDSMR	P. 90
JBXFD1G06MSSDSR	P. 102	JBXFD2G002MSSDSR	P. 158	JBXFD2G05FSSDSR	P. 90
JBXFD1G07FCNDSMR	P. 118	JBXFD2G003FSNDSMR	P. 174	JBXFD2G05MCNDSMR	P. 90
JBXFD1G07FCNDSR	P. 118	JBXFD2G003FSNDSR	P. 174	JBXFD2G05MCNDSR	P. 90
JBXFD1G07FCSDSMR	P. 118	JBXFD2G003FSSDSMR	P. 174	JBXFD2G05MCSDSMR	P. 90
JBXFD1G07FCSDSR	P. 118	JBXFD2G003FSSDSR	P. 174	JBXFD2G05MCSDSR	P. 90
JBXFD1G07FSNDSMR	P. 118	JBXFD2G003MSNDSMR	P. 174	JBXFD2G05MSNDSMR	P. 90
JBXFD1G07FSNDSR	P. 118	JBXFD2G003MSNDSR	P. 174	JBXFD2G05MSNDSR	P. 90
JBXFD1G07FSSDSMR	P. 118	JBXFD2G003MSSDSMR	P. 174	JBXFD2G05MSSDSMR	P. 90
JBXFD1G07FSSDSR	P. 118	JBXFD2G003MSSDSR	P. 174	JBXFD2G05MSSDSR	P. 90

JBXFD2G06FCNDSMR	P. 106	JBXFD2G12FCNDSMR	P. 188	JBXFD3G03FCNDSMR	P. 52
JBXFD2G06FCNDSR	P. 106	JBXFD2G12FCNDSR	P. 188	JBXFD3G03FCNDSR	P. 52
JBXFD2G06FCSDSMR	P. 106	JBXFD2G12FCSDSMR	P. 188	JBXFD3G03FCSDSMR	P. 52
JBXFD2G06FCSDSR	P. 106	JBXFD2G12FCSDSR	P. 188	JBXFD3G03FCSDSR	P. 52
JBXFD2G06FSNDSMR	P. 106	JBXFD2G12FSNDSMR	P. 188	JBXFD3G03FSNDSMR	P. 52
JBXFD2G06FSNDSR	P. 106	JBXFD2G12FSNDSR	P. 188	JBXFD3G03FSNDSR	P. 52
JBXFD2G06FSSDSMR	P. 106	JBXFD2G12FSSDSMR	P. 188	JBXFD3G03FSSDSMR	P. 52
JBXFD2G06FSSDSR	P. 106	JBXFD2G12FSSDSR	P. 188	JBXFD3G03FSSDSR	P. 52
JBXFD2G06MCNDSMR	P. 106	JBXFD2G12MCNDSMR	P. 188	JBXFD3G03MCNDSMR	P. 52
JBXFD2G06MCNDSR	P. 106	JBXFD2G12MCNDSR	P. 188	JBXFD3G03MCNDSR	P. 52
JBXFD2G06MCSDSMR	P. 106	JBXFD2G12MCSDSMR	P. 188	JBXFD3G03MCSDSMR	P. 52
JBXFD2G06MCSDSR	P. 106	JBXFD2G12MCSDSR	P. 188	JBXFD3G03MCSDSR	P. 52
JBXFD2G06MSNDSMR	P. 106	JBXFD2G12MSNDSMR	P. 188	JBXFD3G03MSNDSMR	P. 52
JBXFD2G06MSNDSR	P. 106	JBXFD2G12MSNDSR	P. 188	JBXFD3G03MSNDSR	P. 52
JBXFD2G06MSSDSMR	P. 106	JBXFD2G12MSSDSMR	P. 188	JBXFD3G03MSSDSMR	P. 52
JBXFD2G06MSSDSR	P. 106	JBXFD2G12MSSDSR	P. 188	JBXFD3G03MSSDSR	P. 52
JBXFD2G07FCNDSMR	P. 122	JBXFD2G16FCNDSMR	P. 198	JBXFD3G04FCNDSMR	P. 76
JBXFD2G07FCNDSR	P. 122	JBXFD2G16FCNDSR	P. 198	JBXFD3G04FCNDSR	P. 76
JBXFD2G07FCSDSMR	P. 122	JBXFD2G16FCSDSMR	P. 198	JBXFD3G04FCSDSMR	P. 76
JBXFD2G07FCSDSR	P. 122	JBXFD2G16FCSDSR	P. 198	JBXFD3G04FCSDSR	P. 76
JBXFD2G07FSNDSMR	P. 122	JBXFD2G16FSNDSMR	P. 198	JBXFD3G04FSNDSMR	P. 76
JBXFD2G07FSNDSR	P. 122	JBXFD2G16FSNDSR	P. 198	JBXFD3G04FSNDSR	P. 76
JBXFD2G07FSSDSMR	P. 122	JBXFD2G16FSSDSMR	P. 198	JBXFD3G04FSSDSMR	P. 76
JBXFD2G07FSSDSR	P. 122	JBXFD2G16FSSDSR	P. 198	JBXFD3G04FSSDSR	P. 76
JBXFD2G07MCNDSMR	P. 122	JBXFD2G16MCNDSMR	P. 198	JBXFD3G04MCNDSMR	P. 76
JBXFD2G07MCNDSR	P. 122	JBXFD2G16MCNDSR	P. 198	JBXFD3G04MCNDSR	P. 76
JBXFD2G07MCSDSMR	P. 122	JBXFD2G16MCSDSMR	P. 198	JBXFD3G04MCSDSMR	P. 76
JBXFD2G07MCSDSR	P. 122	JBXFD2G16MCSDSR	P. 198	JBXFD3G04MCSDSR	P. 76
JBXFD2G07MSNDSMR	P. 122	JBXFD2G16MSNDSMR	P. 198	JBXFD3G04MSNDSMR	P. 76
JBXFD2G07MSNDSR	P. 122	JBXFD2G16MSNDSR	P. 198	JBXFD3G04MSNDSR	P. 76
JBXFD2G07MSSDSMR	P. 122	JBXFD2G16MSSDSMR	P. 198	JBXFD3G04MSSDSMR	P. 76
JBXFD2G07MSSDSR	P. 122	JBXFD2G16MSSDSR	P. 198	JBXFD3G04MSSDSR	P. 76
JBXFD2G08FCNDSMR	P. 142	JBXFD2G18FCNDSMR	P. 204	JBXFD3G07FCNDSMR	P. 128
JBXFD2G08FCNDSR	P. 142	JBXFD2G18FCNDSR	P. 204	JBXFD3G07FCNDSR	P. 128
JBXFD2G08FCSDSMR	P. 142	JBXFD2G18FCSDSMR	P. 204	JBXFD3G07FCSDSMR	P. 128
JBXFD2G08FCSDSR	P. 142	JBXFD2G18FCSDSR	P. 204	JBXFD3G07FCSDSR	P. 128
JBXFD2G08FSNDSMR	P. 142	JBXFD2G18FSNDSMR	P. 204	JBXFD3G07FSNDSMR	P. 128
JBXFD2G08FSNDSR	P. 142	JBXFD2G18FSNDSR	P. 204	JBXFD3G07FSNDSR	P. 128
JBXFD2G08FSSDSMR	P. 142	JBXFD2G18FSSDSMR	P. 204	JBXFD3G07FSSDSMR	P. 128
JBXFD2G08FSSDSR	P. 142	JBXFD2G18FSSDSR	P. 204	JBXFD3G07FSSDSR	P. 128
JBXFD2G08MCNDSMR	P. 142	JBXFD2G18MCNDSMR	P. 204	JBXFD3G07MCNDSMR	P. 128
JBXFD2G08MCNDSR	P. 142	JBXFD2G18MCNDSR	P. 204	JBXFD3G07MCNDSR	P. 128
JBXFD2G08MCSDSMR	P. 142	JBXFD2G18MCSDSMR	P. 204	JBXFD3G07MCSDSMR	P. 128
JBXFD2G08MCSDSR	P. 142	JBXFD2G18MCSDSR	P. 204	JBXFD3G07MCSDSR	P. 128
JBXFD2G08MSNDSMR	P. 142	JBXFD2G18MSNDSMR	P. 204	JBXFD3G07MSNDSMR	P. 128
JBXFD2G08MSNDSR	P. 142	JBXFD2G18MSNDSR	P. 204	JBXFD3G07MSNDSR	P. 128
JBXFD2G08MSSDSMR	P. 142	JBXFD2G18MSSDSMR	P. 204	JBXFD3G07MSSDSMR	P. 128
JBXFD2G08MSSDSR	P. 142	JBXFD2G18MSSDSR	P. 204	JBXFD3G07MSSDSR	P. 128
JBXFD2G10FCNDSMR	P. 168	JBXFD2G19FCNDSMR	P. 214	JBXFD3G08FCNDSMR	P. 154
JBXFD2G10FCNDSR	P. 168	JBXFD2G19FCNDSR	P. 214	JBXFD3G08FCNDSR	P. 154
JBXFD2G10FCSDSMR	P. 168	JBXFD2G19FCSDSMR	P. 214	JBXFD3G08FCSDSMR	P. 154
JBXFD2G10FCSDSR	P. 168	JBXFD2G19FCSDSR	P. 214	JBXFD3G08FCSDSR	P. 154
JBXFD2G10FSNDSMR	P. 168	JBXFD2G19FSNDSMR	P. 214	JBXFD3G08FSNDSMR	P. 154
JBXFD2G10FSNDSR	P. 168	JBXFD2G19FSNDSR	P. 214	JBXFD3G08FSNDSR	P. 154
JBXFD2G10FSSDSMR	P. 168	JBXFD2G19FSSDSMR	P. 214	JBXFD3G08FSSDSMR	P. 154
JBXFD2G10FSSDSR	P. 168	JBXFD2G19FSSDSR	P. 214	JBXFD3G08FSSDSR	P. 154
JBXFD2G10MCNDSMR	P. 168	JBXFD2G19MCNDSMR	P. 214	JBXFD3G08MCNDSMR	P. 154
JBXFD2G10MCNDSR	P. 168	JBXFD2G19MCNDSR	P. 214	JBXFD3G08MCNDSR	P. 154
JBXFD2G10MCSDSMR	P. 168	JBXFD2G19MCSDSMR	P. 214	JBXFD3G08MCSDSMR	P. 154
JBXFD2G10MCSDSR	P. 168	JBXFD2G19MCSDSR	P. 214	JBXFD3G08MCSDSR	P. 154
JBXFD2G10MSNDSMR	P. 168	JBXFD2G19MSNDSMR	P. 214	JBXFD3G08MSNDSMR	P. 154
JBXFD2G10MSNDSR	P. 168	JBXFD2G19MSNDSR	P. 214	JBXFD3G08MSNDSR	P. 154
JBXFD2G10MSSDSMR	P. 168	JBXFD2G19MSSDSMR	P. 214	JBXFD3G08MSSDSMR	P. 154
JBXFD2G10MSSDSR	P. 168	JBXFD2G19MSSDSR	P. 214	JBXFD3G08MSSDSR	P. 154

Part Number Index (Continued)

JBXFD3G10FCNDSMR.....	P. 180	JBXFD3G30FCNDSMR.....	P. 224	JBXFF1G08FSNDSMR.....	P. 138
JBXFD3G10FCNDSR.....	P. 180	JBXFD3G30FCNDSR.....	P. 224	JBXFF1G08FSNDSR.....	P. 138
JBXFD3G10FCSDSMR.....	P. 180	JBXFD3G30FCSDSMR.....	P. 224	JBXFF1G08FSSDSMR.....	P. 138
JBXFD3G10FCSDSR.....	P. 180	JBXFD3G30FCSDSR.....	P. 224	JBXFF1G08FSSDSR.....	P. 138
JBXFD3G10FSNDSMR.....	P. 180	JBXFD3G30FSNDSMR.....	P. 224	JBXFF1G08MSNDSMR.....	P. 138
JBXFD3G10FSNDSR.....	P. 180	JBXFD3G30FSNDSR.....	P. 224	JBXFF1G08MSNDSR.....	P. 138
JBXFD3G10FSSDSMR.....	P. 180	JBXFD3G30FSSDSMR.....	P. 224	JBXFF1G08MSSDSMR.....	P. 138
JBXFD3G10FSSDSR.....	P. 180	JBXFD3G30FSSDSR.....	P. 224	JBXFF1G08MSSDSR.....	P. 138
JBXFD3G10MCNDSMR.....	P. 180	JBXFD3G30MCNDSMR.....	P. 224	JBXFF1G10FSNDSMR.....	P. 164
JBXFD3G10MCNDSR.....	P. 180	JBXFD3G30MCNDSR.....	P. 224	JBXFF1G10FSNDSR.....	P. 164
JBXFD3G10MCSDSMR.....	P. 180	JBXFD3G30MCSDSMR.....	P. 224	JBXFF1G10FSSDSMR.....	P. 164
JBXFD3G10MCSDSR.....	P. 180	JBXFD3G30MCSDSR.....	P. 224	JBXFF1G10FSSDSR.....	P. 164
JBXFD3G10MCSNDSMR.....	P. 180	JBXFD3G30MCSNDSMR.....	P. 224	JBXFF1G10MSNDSMR.....	P. 164
JBXFD3G10MCSNDSR.....	P. 180	JBXFD3G30MCSNDSR.....	P. 224	JBXFF1G10MSNDSR.....	P. 164
JBXFD3G10MSNDSMR.....	P. 180	JBXFD3G30MSNDSMR.....	P. 224	JBXFF1G10MSSDSMR.....	P. 164
JBXFD3G10MSNDSR.....	P. 180	JBXFD3G30MSNDSR.....	P. 224	JBXFF1G10MSSDSR.....	P. 164
JBXFD3G10MSSDSMR.....	P. 180	JBXFD3G30MSSDSMR.....	P. 224	JBXFF1G10MSNDSMR.....	P. 164
JBXFD3G10MSSDSR.....	P. 180	JBXFD3G30MSSDSR.....	P. 224	JBXFF1G10MSNDSR.....	P. 164
JBXFD3G14FCNDSMR.....	P. 194	JBXFF1G02FSNDSMR.....	P. 26	JBXFF1G12FSNDSMR.....	P. 184
JBXFD3G14FCNDSR.....	P. 194	JBXFF1G02FSNDSR.....	P. 26	JBXFF1G12FSNDSR.....	P. 184
JBXFD3G14FCSDSMR.....	P. 194	JBXFF1G02FSSDSMR.....	P. 26	JBXFF1G12FSSDSMR.....	P. 184
JBXFD3G14FCSDSR.....	P. 194	JBXFF1G02FSSDSR.....	P. 26	JBXFF1G12FSSDSR.....	P. 184
JBXFD3G14FSNDSMR.....	P. 194	JBXFF1G02MSNDSMR.....	P. 26	JBXFF1G12MSNDSMR.....	P. 184
JBXFD3G14FSNDSR.....	P. 194	JBXFF1G02MSNDSR.....	P. 26	JBXFF1G12MSNDSR.....	P. 184
JBXFD3G14FSSDSMR.....	P. 194	JBXFF1G02MSSDSMR.....	P. 26	JBXFF1G12MSSDSMR.....	P. 184
JBXFD3G14FSSDSR.....	P. 194	JBXFF1G02MSSDSR.....	P. 26	JBXFF1G12MSSDSR.....	P. 184
JBXFD3G14MCNDSMR.....	P. 194	JBXFF1G03FSNDSMR.....	P. 42	JBXFF1G12MSSDSMR.....	P. 184
JBXFD3G14MCNDSR.....	P. 194	JBXFF1G03FSNDSR.....	P. 42	JBXFG00G02FSNDSMR.....	P. 16
JBXFD3G14MCSDSMR.....	P. 194	JBXFF1G03FSSDSMR.....	P. 42	JBXFG00G02FSNDSR.....	P. 16
JBXFD3G14MCSDSR.....	P. 194	JBXFF1G03FSSDSR.....	P. 42	JBXFG00G02FSSDSMR.....	P. 16
JBXFD3G14MSNDSMR.....	P. 194	JBXFF1G03MSNDSMR.....	P. 42	JBXFG00G02FSSDSR.....	P. 16
JBXFD3G14MSNDSR.....	P. 194	JBXFF1G03MSNDSR.....	P. 42	JBXFG00G02MSNDSMR.....	P. 16
JBXFD3G14MSSDSMR.....	P. 194	JBXFF1G03MSSDSMR.....	P. 42	JBXFG00G02MSNDSR.....	P. 16
JBXFD3G14MSSDSR.....	P. 194	JBXFF1G03MSSDSR.....	P. 42	JBXFG00G02MSSDSMR.....	P. 16
JBXFD3G18FCNDSMR.....	P. 210	JBXFF1G04FSNDSMR.....	P. 66	JBXFG00G02MSSDSR.....	P. 16
JBXFD3G18FCNDSR.....	P. 210	JBXFF1G04FSNDSR.....	P. 66	JBXFG00G04FSNDSMR.....	P. 56
JBXFD3G18FCSDSMR.....	P. 210	JBXFF1G04FSSDSMR.....	P. 66	JBXFG00G04FSNDSR.....	P. 56
JBXFD3G18FCSDSR.....	P. 210	JBXFF1G04FSSDSR.....	P. 66	JBXFG00G04FSSDSMR.....	P. 56
JBXFD3G18FSNDSMR.....	P. 210	JBXFF1G04FSSDSMR.....	P. 66	JBXFG00G04FSSDSR.....	P. 56
JBXFD3G18FSNDSR.....	P. 210	JBXFF1G04MSSDSMR.....	P. 66	JBXFG00G04MSSDSMR.....	P. 56
JBXFD3G18FSSDSMR.....	P. 210	JBXFF1G04MSSDSR.....	P. 66	JBXFG00G04MSSDSR.....	P. 56
JBXFD3G18FSSDSR.....	P. 210	JBXFF1G04MSSDSR.....	P. 66	JBXFG00G04MSSDSR.....	P. 56
JBXFD3G18MCNDSMR.....	P. 210	JBXFF1G05FSNDSMR.....	P. 86	JBXFFH0G02FCNDSMR.....	P. 22
JBXFD3G18MCNDSR.....	P. 210	JBXFF1G05FSNDSR.....	P. 86	JBXFFH0G02FCNDSR.....	P. 22
JBXFD3G18MCSDSMR.....	P. 210	JBXFF1G05FSSDSMR.....	P. 86	JBXFFH0G02FCSDSMR.....	P. 22
JBXFD3G18MCSDSR.....	P. 210	JBXFF1G05FSSDSR.....	P. 86	JBXFFH0G02FCSDSR.....	P. 22
JBXFD3G18MSNDSMR.....	P. 210	JBXFF1G05MSNDSMR.....	P. 86	JBXFFH0G02FSNDSMR.....	P. 22
JBXFD3G18MSNDSR.....	P. 210	JBXFF1G05MSNDSR.....	P. 86	JBXFFH0G02FSNDSR.....	P. 22
JBXFD3G18MSSDSMR.....	P. 210	JBXFF1G05MSSDSMR.....	P. 86	JBXFFH0G02FSSDSMR.....	P. 22
JBXFD3G18MSSDSR.....	P. 210	JBXFF1G05MSSDSR.....	P. 86	JBXFFH0G02FSSDSR.....	P. 22
JBXFD3G22FCNDSMR.....	P. 220	JBXFF1G06FSNDSMR.....	P. 102	JBXFFH0G02FSSDSMR.....	P. 22
JBXFD3G22FCNDSR.....	P. 220	JBXFF1G06FSNDSR.....	P. 102	JBXFFH0G02MSSDSMR.....	P. 22
JBXFD3G22FCSDSMR.....	P. 220	JBXFF1G06FSSDSMR.....	P. 102	JBXFFH0G02MCNDSMR.....	P. 22
JBXFD3G22FCSDSR.....	P. 220	JBXFF1G06FSSDSR.....	P. 102	JBXFFH0G02MCSDSMR.....	P. 22
JBXFD3G22FSNDSMR.....	P. 220	JBXFF1G06MSSDSMR.....	P. 102	JBXFFH0G02MCSNDSMR.....	P. 22
JBXFD3G22FSNDSR.....	P. 220	JBXFF1G06MSSDSR.....	P. 102	JBXFFH0G02MCSNDSR.....	P. 22
JBXFD3G22FSSDSMR.....	P. 220	JBXFF1G06MSSDSR.....	P. 102	JBXFFH0G02MSSDSMR.....	P. 22
JBXFD3G22FSSDSR.....	P. 220	JBXFF1G06MSSDSR.....	P. 102	JBXFFH0G02MSSDSR.....	P. 22
JBXFD3G22MCNDSMR.....	P. 220	JBXFF1G07FSNDSMR.....	P. 118	JBXFFH0G03FCNDSMR.....	P. 38
JBXFD3G22MCNDSR.....	P. 220	JBXFF1G07FSNDSR.....	P. 118	JBXFFH0G03FCNDSR.....	P. 38
JBXFD3G22MCSDSMR.....	P. 220	JBXFF1G07FSSDSMR.....	P. 118	JBXFFH0G03FCSNDSMR.....	P. 38
JBXFD3G22MCSDSR.....	P. 220	JBXFF1G07FSSDSR.....	P. 118	JBXFFH0G03FCSDSR.....	P. 38
JBXFD3G22MCSNDSMR.....	P. 220	JBXFF1G07MSNDSMR.....	P. 118	JBXFFH0G03FSNDSMR.....	P. 38
JBXFD3G22MCSNDSR.....	P. 220	JBXFF1G07MSNDSR.....	P. 118	JBXFFH0G03FSNDSR.....	P. 38
JBXFD3G22MSSDSMR.....	P. 220	JBXFF1G07MSSDSMR.....	P. 118	JBXFFH0G03FSSDSMR.....	P. 38
JBXFD3G22MSSDSR.....	P. 220	JBXFF1G07MSSDSR.....	P. 118	JBXFFH0G03FSSDSR.....	P. 38

JBXFH0G03MCNDSMR	P. 38	JBXFH2G001FSNDSMR	P. 150	JBXFH2G04MCNDSMR	P. 72
JBXFH0G03MCNDSR	P. 38	JBXFH2G001FSNDSR	P. 150	JBXFH2G04MCNDSR	P. 72
JBXFH0G03MCSDSMR	P. 38	JBXFH2G001FSSDSMR	P. 150	JBXFH2G04MCSDSMR	P. 72
JBXFH0G03MCSDSR	P. 38	JBXFH2G001FSSDSR	P. 150	JBXFH2G04MCSDSR	P. 72
JBXFH0G03MSNDSMR	P. 38	JBXFH2G001MSNDSMR	P. 150	JBXFH2G04MSNDSMR	P. 72
JBXFH0G03MSNDSR	P. 38	JBXFH2G001MSNDSR	P. 150	JBXFH2G04MSNDSR	P. 72
JBXFH0G03MSSDSMR	P. 38	JBXFH2G001MSSDSMR	P. 150	JBXFH2G04MSSDSMR	P. 72
JBXFH0G03MSSDSR	P. 38	JBXFH2G001MSSDSR	P. 150	JBXFH2G04MSSDSR	P. 72
JBXFH0G04FCNDSMR	P. 62	JBXFH2G002FCNDSMR	P. 160	JBXFH2G05FCNDSMR	P. 92
JBXFH0G04FCNDSR	P. 62	JBXFH2G002FCNDSR	P. 160	JBXFH2G05FCNDSR	P. 92
JBXFH0G04FCSDSMR	P. 62	JBXFH2G002FSSDSMR	P. 160	JBXFH2G05FCSDSMR	P. 92
JBXFH0G04FCSDSR	P. 62	JBXFH2G002FSSDSR	P. 160	JBXFH2G05FCSDSR	P. 92
JBXFH0G04FSNDSMR	P. 62	JBXFH2G002MSNDSMR	P. 160	JBXFH2G05FSNDSMR	P. 92
JBXFH0G04FSNDSR	P. 62	JBXFH2G002MSNDSR	P. 160	JBXFH2G05FSNDSR	P. 92
JBXFH0G04FSSDSMR	P. 62	JBXFH2G002MSSDSMR	P. 160	JBXFH2G05FSSDSMR	P. 92
JBXFH0G04FSSDSR	P. 62	JBXFH2G002MSSDSR	P. 160	JBXFH2G05FSSDSR	P. 92
JBXFH0G04MCNDSMR	P. 62	JBXFH2G003FSNDSMR	P. 176	JBXFH2G05MCNDSMR	P. 92
JBXFH0G04MCNDSR	P. 62	JBXFH2G003FSNDSR	P. 176	JBXFH2G05MCNDSR	P. 92
JBXFH0G04MCSDSMR	P. 62	JBXFH2G003FSSDSMR	P. 176	JBXFH2G05MCSDSMR	P. 92
JBXFH0G04MCSDSR	P. 62	JBXFH2G003FSSDSR	P. 176	JBXFH2G05MCSDSR	P. 92
JBXFH0G04MSNDSMR	P. 62	JBXFH2G003MSNDSMR	P. 176	JBXFH2G05MSNDSMR	P. 92
JBXFH0G04MSNDSR	P. 62	JBXFH2G003MSNDSR	P. 176	JBXFH2G05MSNDSR	P. 92
JBXFH0G04MSSDSMR	P. 62	JBXFH2G003MSSDSMR	P. 176	JBXFH2G05MSSDSMR	P. 92
JBXFH0G04MSSDSR	P. 62	JBXFH2G003MSSDSR	P. 176	JBXFH2G05MSSDSR	P. 92
JBXFH0G05FCNDSMR	P. 82	JBXFH2G002FCNDSMR	P. 32	JBXFH2G06FCNDSMR	P. 108
JBXFH0G05FCNDSR	P. 82	JBXFH2G002FCNDSR	P. 32	JBXFH2G06FCNDSR	P. 108
JBXFH0G05FCSDSMR	P. 82	JBXFH2G002FCSDSMR	P. 32	JBXFH2G06FCSDSMR	P. 108
JBXFH0G05FCSDSR	P. 82	JBXFH2G002FCSDSR	P. 32	JBXFH2G06FCSDSR	P. 108
JBXFH0G05FSNDSMR	P. 82	JBXFH2G002FSNDSMR	P. 32	JBXFH2G06FSNDSMR	P. 108
JBXFH0G05FSNDSR	P. 82	JBXFH2G002FSNDSR	P. 32	JBXFH2G06FSNDSR	P. 108
JBXFH0G05FSSDSMR	P. 82	JBXFH2G002FSSDSMR	P. 32	JBXFH2G06FSSDSMR	P. 108
JBXFH0G05FSSDSR	P. 82	JBXFH2G002FSSDSR	P. 32	JBXFH2G06FSSDSR	P. 108
JBXFH0G05MCNDSMR	P. 82	JBXFH2G002MCNDSMR	P. 32	JBXFH2G06MCNDSMR	P. 108
JBXFH0G05MCNDSR	P. 82	JBXFH2G002MCNDSR	P. 32	JBXFH2G06MCNDSR	P. 108
JBXFH0G05MCSDSMR	P. 82	JBXFH2G002MCSDSMR	P. 32	JBXFH2G06MCSDSMR	P. 108
JBXFH0G05MCSDSR	P. 82	JBXFH2G002MCSDSR	P. 32	JBXFH2G06MCSDSR	P. 108
JBXFH0G05MSNDSMR	P. 82	JBXFH2G002MSNDSMR	P. 32	JBXFH2G06MSNDSMR	P. 108
JBXFH0G05MSNDSR	P. 82	JBXFH2G002MSNDSR	P. 32	JBXFH2G06MSNDSR	P. 108
JBXFH0G05MSSDSMR	P. 82	JBXFH2G002MSSDSMR	P. 32	JBXFH2G06MSSDSMR	P. 108
JBXFH0G05MSSDSR	P. 82	JBXFH2G002MSSDSR	P. 32	JBXFH2G06MSSDSR	P. 108
JBXFH0G06FSNDSMR	P. 98	JBXFH2G003FCNDSMR	P. 48	JBXFH2G07FCNDSMR	P. 124
JBXFH0G06FSNDSR	P. 98	JBXFH2G003FCNDSR	P. 48	JBXFH2G07FCNDSR	P. 124
JBXFH0G06FSSDSMR	P. 98	JBXFH2G003FSSDSMR	P. 48	JBXFH2G07FSSDSMR	P. 124
JBXFH0G06FSSDSR	P. 98	JBXFH2G003FSSDSR	P. 48	JBXFH2G07FSSDSR	P. 124
JBXFH0G06MSNDSMR	P. 98	JBXFH2G003MSNDSMR	P. 48	JBXFH2G07MSNDSMR	P. 124
JBXFH0G06MSNDSR	P. 98	JBXFH2G003MSNDSR	P. 48	JBXFH2G07MSNDSR	P. 124
JBXFH0G06MSSDSMR	P. 98	JBXFH2G003MSSDSMR	P. 48	JBXFH2G07MSSDSMR	P. 124
JBXFH0G06MSSDSR	P. 98	JBXFH2G003MSSDSR	P. 48	JBXFH2G07MSSDSR	P. 124
JBXFH0G07FSNDSMR	P. 114	JBXFH2G003MCNDSMR	P. 48	JBXFH2G08FCNDSMR	P. 144
JBXFH0G07FSNDSR	P. 114	JBXFH2G003MCNDSR	P. 48	JBXFH2G08FCNDSR	P. 144
JBXFH0G07FSSDSMR	P. 114	JBXFH2G003MCSDSMR	P. 48	JBXFH2G08FCSDSMR	P. 144
JBXFH0G07FSSDSR	P. 114	JBXFH2G003MCSDSR	P. 48	JBXFH2G08FCSDSR	P. 144
JBXFH0G07MSNDSMR	P. 114	JBXFH2G003MSNDSMR	P. 48	JBXFH2G08FSNDSMR	P. 144
JBXFH0G07MSNDSR	P. 114	JBXFH2G003MSNDSR	P. 48	JBXFH2G08FSNDSR	P. 144
JBXFH0G07MSSDSMR	P. 114	JBXFH2G003MSSDSMR	P. 48	JBXFH2G08FSSDSMR	P. 144
JBXFH0G07MSSDSR	P. 114	JBXFH2G003MSSDSR	P. 48	JBXFH2G08FSSDSR	P. 144
JBXFH0G08FSNDSMR	P. 134	JBXFH2G004FCNDSMR	P. 72	JBXFH2G08FSNDSMR	P. 144
JBXFH0G08FSNDSR	P. 134	JBXFH2G004FCNDSR	P. 72	JBXFH2G08FSNDSR	P. 144
JBXFH0G08FSSDSMR	P. 134	JBXFH2G004FCSDSMR	P. 72	JBXFH2G08FSSDSMR	P. 144
JBXFH0G08FSSDSR	P. 134	JBXFH2G004FCSDSR	P. 72	JBXFH2G08FSSDSR	P. 144
JBXFH0G08MSNDSMR	P. 134	JBXFH2G004MSNDSMR	P. 72	JBXFH2G08MSNDSMR	P. 144
JBXFH0G08MSNDSR	P. 134	JBXFH2G004MSNDSR	P. 72	JBXFH2G08MSNDSR	P. 144
JBXFH0G08MSSDSMR	P. 134	JBXFH2G004MSSDSMR	P. 72	JBXFH2G08MSSDSMR	P. 144
JBXFH0G08MSSDSR	P. 134	JBXFH2G004MSSDSR	P. 72	JBXFH2G08MSSDSR	P. 144

Part Number Index (Continued)

JBXFH2G08MCNDSMR	P. 144	JBXFH2G18MCNDSMR	P. 206	JBXFM0G07FSNDSMR	P. 112
JBXFH2G08MCNDSR	P. 144	JBXFH2G18MCNDSR	P. 206	JBXFM0G07FSNDSR	P. 112
JBXFH2G08MCSDSMR	P. 144	JBXFH2G18MCSDSMR	P. 206	JBXFM0G07FSSDSMR	P. 112
JBXFH2G08MCSDSR	P. 144	JBXFH2G18MCSDSR	P. 206	JBXFM0G07FSSDSR	P. 112
JBXFH2G08MSNDSMR	P. 144	JBXFH2G18MSNDSMR	P. 206	JBXFM0G07MSNDSMR	P. 112
JBXFH2G08MSNDSR	P. 144	JBXFH2G18MSNDSR	P. 206	JBXFM0G07MSNDSR	P. 112
JBXFH2G08MSSDSMR	P. 144	JBXFH2G18MSSDSMR	P. 206	JBXFM0G07MSSDSMR	P. 112
JBXFH2G08MSSDSR	P. 144	JBXFH2G18MSSDSR	P. 206	JBXFM0G07MSSDSR	P. 112
JBXFH2G10FCNDSMR	P. 170	JBXFH2G19FCNDSMR	P. 216	JBXFM0G08FSNDSMR	P. 132
JBXFH2G10FCNDSR	P. 170	JBXFH2G19FCNDSR	P. 216	JBXFM0G08FSNDSR	P. 132
JBXFH2G10FCSDSMR	P. 170	JBXFH2G19FCSDSMR	P. 216	JBXFM0G08FSSDSMR	P. 132
JBXFH2G10FCSDSR	P. 170	JBXFH2G19FCSDSR	P. 216	JBXFM0G08FSSDSR	P. 132
JBXFH2G10FSNDSMR	P. 170	JBXFH2G19FSNDSMR	P. 216	JBXFM0G08MSNDSMR	P. 132
JBXFH2G10FSNDSR	P. 170	JBXFH2G19FSNDSR	P. 216	JBXFM0G08MSNDSR	P. 132
JBXFH2G10FSSDSMR	P. 170	JBXFH2G19FSSDSMR	P. 216	JBXFM0G08MSSDSMR	P. 132
JBXFH2G10FSSDSR	P. 170	JBXFH2G19FSSDSR	P. 216	JBXFM0G08MSSDSR	P. 132
JBXFH2G10MCNDSMR	P. 170	JBXFH2G19MCNDSMR	P. 216	JBXFN0G02FSNDSMR	P. 20
JBXFH2G10MCNDSR	P. 170	JBXFH2G19MCNDSR	P. 216	JBXFN0G02FSNDSR	P. 20
JBXFH2G10MCSDSMR	P. 170	JBXFH2G19MCSDSMR	P. 216	JBXFN0G02FSSDSMR	P. 20
JBXFH2G10MCSDSR	P. 170	JBXFH2G19MCSDSR	P. 216	JBXFN0G02FSSDSR	P. 20
JBXFH2G10MSNDSMR	P. 170	JBXFH2G19MSNDSMR	P. 216	JBXFN0G02MSNDSMR	P. 20
JBXFH2G10MSNDSR	P. 170	JBXFH2G19MSNDSR	P. 216	JBXFN0G02MSNDSR	P. 20
JBXFH2G10MSSDSMR	P. 170	JBXFH2G19MSSDSMR	P. 216	JBXFN0G02MSSDSMR	P. 20
JBXFH2G10MSSDSR	P. 170	JBXFH2G19MSSDSR	P. 216	JBXFN0G02MSSDSR	P. 20
JBXFH2G10MCNDSMR	P. 190	JBXFM0G02FSNDSMR	P. 20	JBXFN0G03FSNDSMR	P. 36
JBXFH2G10FCNDSMR	P. 190	JBXFM0G02FSNDSR	P. 20	JBXFN0G03FSNDSR	P. 36
JBXFH2G10FCNDSR	P. 190	JBXFM0G02FSSDSMR	P. 20	JBXFN0G03FSSDSMR	P. 36
JBXFH2G10FCSDSMR	P. 190	JBXFM0G02FSSDSR	P. 20	JBXFN0G03FSSDSR	P. 36
JBXFH2G10FCSDSR	P. 190	JBXFM0G02MSNDSMR	P. 20	JBXFN0G03MSNDSMR	P. 36
JBXFH2G10FSNDSMR	P. 190	JBXFM0G02MSNDSR	P. 20	JBXFN0G03MSNDSR	P. 36
JBXFH2G10FSNDSR	P. 190	JBXFM0G02MSSDSMR	P. 20	JBXFN0G03MSSDSMR	P. 36
JBXFH2G10FSSDSMR	P. 190	JBXFM0G02MSSDSR	P. 20	JBXFN0G03MSSDSR	P. 36
JBXFH2G10FSSDSR	P. 190	JBXFM0G03FSNDSMR	P. 36	JBXFN0G04FSNDSMR	P. 60
JBXFH2G10MCNDSMR	P. 190	JBXFM0G03FSNDSR	P. 36	JBXFN0G04FSNDSR	P. 60
JBXFH2G10MCNDSR	P. 190	JBXFM0G03FSSDSMR	P. 36	JBXFN0G04FSSDSMR	P. 60
JBXFH2G10MCSDSMR	P. 190	JBXFM0G03FSSDSR	P. 36	JBXFN0G04FSSDSR	P. 60
JBXFH2G10MCSDSR	P. 190	JBXFM0G03MSNDSMR	P. 36	JBXFN0G04FSNDSMR	P. 60
JBXFH2G10MSNDSMR	P. 190	JBXFM0G03MSNDSR	P. 36	JBXFN0G04FSNDSR	P. 60
JBXFH2G10MSNDSR	P. 190	JBXFM0G03MSSDSMR	P. 36	JBXFN0G04MSSDSMR	P. 60
JBXFH2G10MSSDSMR	P. 190	JBXFM0G03MSSDSR	P. 36	JBXFN0G04MSSDSR	P. 60
JBXFH2G10MSSDSR	P. 190	JBXFM0G04FSNDSMR	P. 60	JBXFN0G05FSNDSMR	P. 80
JBXFH2G12FCNDSMR	P. 190	JBXFM0G04FSNDSR	P. 60	JBXFN0G05FSNDSR	P. 80
JBXFH2G12FCNDSR	P. 190	JBXFM0G04FSSDSMR	P. 60	JBXFN0G05FSSDSMR	P. 80
JBXFH2G12FCSDSMR	P. 190	JBXFM0G04FSSDSR	P. 60	JBXFN0G05FSSDSR	P. 80
JBXFH2G12FCSDSR	P. 190	JBXFM0G04MSNDSMR	P. 60	JBXFN0G05MSNDSMR	P. 80
JBXFH2G12FSNDSMR	P. 190	JBXFM0G04MSNDSR	P. 60	JBXFN0G05MSNDSR	P. 80
JBXFH2G12FSNDSR	P. 190	JBXFM0G04MSSDSMR	P. 60	JBXFN0G05MSSDSMR	P. 80
JBXFH2G12FSSDSMR	P. 190	JBXFM0G04MSSDSR	P. 60	JBXFN0G05MSSDSR	P. 80
JBXFH2G12FSSDSR	P. 190	JBXFM0G05FSNDSMR	P. 80	JBXFN0G06FSNDSMR	P. 96
JBXFH2G12MCNDSMR	P. 190	JBXFM0G05FSNDSR	P. 80	JBXFN0G06FSNDSR	P. 96
JBXFH2G12MCNDSR	P. 190	JBXFM0G05FSSDSMR	P. 80	JBXFN0G06FSSDSMR	P. 96
JBXFH2G12MCSDSMR	P. 190	JBXFM0G05FSSDSR	P. 80	JBXFN0G06FSSDSR	P. 96
JBXFH2G12MCSDSR	P. 190	JBXFM0G05MSNDSMR	P. 80	JBXFN0G06MSNDSMR	P. 96
JBXFH2G12MSNDSMR	P. 190	JBXFM0G05MSNDSR	P. 80	JBXFN0G06MSNDSR	P. 96
JBXFH2G12MSNDSR	P. 190	JBXFM0G05MSSDSMR	P. 80	JBXFN0G06MSSDSMR	P. 96
JBXFH2G12MSSDSMR	P. 190	JBXFM0G05MSSDSR	P. 80	JBXFN0G06MSSDSR	P. 96
JBXFH2G12MSSDSR	P. 190	JBXFM0G06FSNDSMR	P. 96	JBXFN0G07FSNDSMR	P. 112
JBXFH2G16FCNDSMR	P. 200	JBXFM0G06FSNDSR	P. 96	JBXFN0G07FSNDSR	P. 112
JBXFH2G16FCNDSR	P. 200	JBXFM0G06FSSDSMR	P. 96	JBXFN0G07FSSDSMR	P. 112
JBXFH2G16FCSDSMR	P. 200	JBXFM0G06FSSDSR	P. 96	JBXFN0G07FSSDSR	P. 112
JBXFH2G16FCSDSR	P. 200	JBXFM0G06MSNDSMR	P. 96	JBXFN0G07MSNDSMR	P. 112
JBXFH2G16FSNDSMR	P. 200	JBXFM0G06MSNDSR	P. 96	JBXFN0G07MSNDSR	P. 112
JBXFH2G16FSNDSR	P. 200	JBXFM0G06MSSDSMR	P. 96	JBXFN0G07MSSDSMR	P. 112
JBXFH2G16FSSDSMR	P. 200	JBXFM0G06MSSDSR	P. 96	JBXFN0G07MSSDSR	P. 112
JBXFH2G16FSSDSR	P. 200	JBXFM0G06MSSDSR	P. 96		
JBXFH2G16MCNDSMR	P. 200				
JBXFH2G16MCNDSR	P. 200				
JBXFH2G16MCSDSMR	P. 200				
JBXFH2G16MCSDSR	P. 200				
JBXFH2G16MSNDSMR	P. 200				
JBXFH2G16MSNDSR	P. 200				
JBXFH2G16MSSDSMR	P. 200				
JBXFH2G16MSSDSR	P. 200				
JBXFH2G18FCNDSMR	P. 206				
JBXFH2G18FCNDSR	P. 206				
JBXFH2G18FCSDSMR	P. 206				
JBXFH2G18FCSDSR	P. 206				
JBXFH2G18FSNDSMR	P. 206				
JBXFH2G18FSNDSR	P. 206				
JBXFH2G18FSSDSMR	P. 206				
JBXFH2G18FSSDSR	P. 206				

JBXFN0G08FSNDSMR.....	P. 132	JBXHD0G02MCNDSR.....	P. 22	JBXHH0G05FCNDSR.....	P. 82
JBXFN0G08FSNDSR.....	P. 132	JBXHD0G02MCSDSR.....	P. 22	JBXHH0G05FCSDSR.....	P. 82
JBXFN0G08FSSDSMR.....	P. 132	JBXHD0G02MSNDSR.....	P. 22	JBXHH0G05FSNDSR.....	P. 82
JBXFN0G08FSSDSR.....	P. 132	JBXHD0G02MSSDSR.....	P. 22	JBXHH0G05FSSDSR.....	P. 82
JBXFN0G08MSNDSMR.....	P. 132	JBXHD0G03FCNDSR.....	P. 38	JBXHH0G05MCNDSR.....	P. 82
JBXFN0G08MSNDSR.....	P. 132	JBXHD0G03FCSDSR.....	P. 38	JBXHH0G05MCSDSR.....	P. 82
JBXFN0G08MSSDSMR.....	P. 132	JBXHD0G03FSNDSR.....	P. 38	JBXHH0G05MSNDSR.....	P. 82
JBXFN0G08MSSDSR.....	P. 132	JBXHD0G03FSSDSR.....	P. 38	JBXHH0G05MSSDSR.....	P. 82
JBXHC0G02FPNDSR.....	P. 22	JBXHD0G03MCNDSR.....	P. 38	JBXHH0G06FSNDSR.....	P. 98
JBXHC0G02FPSDSR.....	P. 22	JBXHD0G03MCSDSR.....	P. 38	JBXHH0G06FSSDSR.....	P. 98
JBXHC0G02FSNDSR.....	P. 22	JBXHD0G03MSNDSR.....	P. 38	JBXHH0G06MSNDSR.....	P. 98
JBXHC0G02FSSDSR.....	P. 22	JBXHD0G03MSSDSR.....	P. 38	JBXHH0G06MSSDSR.....	P. 98
JBXHC0G02MSNDSR.....	P. 22	JBXHD0G04FCNDSR.....	P. 62	JBXHH0G07FSNDSR.....	P. 114
JBXHC0G02MSSDSR.....	P. 22	JBXHD0G04FCSDSR.....	P. 62	JBXHH0G07FSSDSR.....	P. 114
JBXHC0G03FPNDSR.....	P. 38	JBXHD0G04FSNDSR.....	P. 62	JBXHH0G07MSNDSR.....	P. 114
JBXHC0G03FPSDSR.....	P. 38	JBXHD0G04FSSDSR.....	P. 62	JBXHH0G07MSSDSR.....	P. 114
JBXHC0G03FSNDSR.....	P. 38	JBXHD0G04MCNDSR.....	P. 62	JBXHH0G08FSNDSR.....	P. 134
JBXHC0G03FSSDSR.....	P. 38	JBXHD0G04MCSDSR.....	P. 62	JBXHH0G08FSSDSR.....	P. 134
JBXHC0G03MSNDSR.....	P. 38	JBXHD0G04MSNDSR.....	P. 62	JBXHH0G08MSNDSR.....	P. 134
JBXHC0G03MSSDSR.....	P. 38	JBXHD0G04MSSDSR.....	P. 62	JBXHH0G08MSSDSR.....	P. 134
JBXHC0G04FPNDSR.....	P. 62	JBXHD0G05FCNDSR.....	P. 82	JBXHH2G001FSNDSR.....	P. 150
JBXHC0G04FPSDSR.....	P. 62	JBXHD0G05FCSDSR.....	P. 82	JBXHH2G001FSSDSR.....	P. 150
JBXHC0G04FSNDSR.....	P. 62	JBXHD0G05FSNDSR.....	P. 82	JBXHH2G001MSNDSR.....	P. 150
JBXHC0G04FSSDSR.....	P. 62	JBXHD0G05FSSDSR.....	P. 82	JBXHH2G001MSSDSR.....	P. 150
JBXHC0G04MPNDSR.....	P. 62	JBXHD0G05MCNDSR.....	P. 82	JBXHH2G001MSNDSR.....	P. 160
JBXHC0G04MPSDSR.....	P. 62	JBXHD0G05MCSDSR.....	P. 82	JBXHH2G002FSNDSR.....	P. 160
JBXHC0G04MSNDSR.....	P. 62	JBXHD0G05MSNDSR.....	P. 82	JBXHH2G002FSSDSR.....	P. 160
JBXHC0G04MSSDSR.....	P. 62	JBXHD0G05MSSDSR.....	P. 82	JBXHH2G002MSNDSR.....	P. 160
JBXHC0G05FPNDSR.....	P. 82	JBXHD0G06FSNDSR.....	P. 98	JBXHH2G002MSSDSR.....	P. 160
JBXHC0G05FPSDSR.....	P. 82	JBXHD0G06FSSDSR.....	P. 98	JBXHH2G003FSNDSR.....	P. 176
JBXHC0G05FSNDSR.....	P. 82	JBXHD0G06MCSDSR.....	P. 98	JBXHH2G003FSSDSR.....	P. 176
JBXHC0G05FSSDSR.....	P. 82	JBXHD0G06MSNDSR.....	P. 98	JBXHH2G003MSSDSR.....	P. 176
JBXHC0G05MPSDSR.....	P. 82	JBXHD0G06MSSDSR.....	P. 98	JBXHH2G003MSNDSR.....	P. 176
JBXHC0G05MSSDSR.....	P. 82	JBXHD0G07FSNDSR.....	P. 114	JBXHH2G002FCNDSR.....	P. 32
JBXHC0G06FPNDSR.....	P. 82	JBXHD0G07FSSDSR.....	P. 114	JBXHH2G002FCSDSR.....	P. 32
JBXHC0G06FPSDSR.....	P. 82	JBXHD0G07MSSDSR.....	P. 114	JBXHH2G002FSNDSR.....	P. 32
JBXHC0G06FSNDSR.....	P. 82	JBXHD0G07MSSDSR.....	P. 114	JBXHH2G002FSSDSR.....	P. 32
JBXHC0G06FSSDSR.....	P. 82	JBXHD0G08FSNDSR.....	P. 134	JBXHH2G002MCSNDSR.....	P. 32
JBXHC0G06MPSDSR.....	P. 82	JBXHD0G08FSSDSR.....	P. 134	JBXHH2G002MCSDSR.....	P. 32
JBXHC0G06MSSDSR.....	P. 82	JBXHD0G08MSNDSR.....	P. 134	JBXHH2G002MSNDSR.....	P. 32
JBXHC0G07FPNDSR.....	P. 114	JBXHD0G08MSSDSR.....	P. 134	JBXHH2G002MSSDSR.....	P. 32
JBXHC0G07FPSDSR.....	P. 114	JBXHH0G02FCNDSR.....	P. 22	JBXHH2G003FCNDSR.....	P. 48
JBXHC0G07FSNDSR.....	P. 114	JBXHH0G02FCSDSR.....	P. 22	JBXHH2G003FCSDSR.....	P. 48
JBXHC0G07FSSDSR.....	P. 114	JBXHH0G02FSNDSR.....	P. 22	JBXHH2G003FSSDSR.....	P. 48
JBXHC0G07MPSDSR.....	P. 114	JBXHH0G02FSSDSR.....	P. 22	JBXHH2G003MCSNDSR.....	P. 48
JBXHC0G07MPSDSR.....	P. 114	JBXHH0G02MCNDSR.....	P. 22	JBXHH2G003MCSDSR.....	P. 48
JBXHC0G07MSNDSR.....	P. 114	JBXHH0G02MCSDSR.....	P. 22	JBXHH2G003MSNDSR.....	P. 48
JBXHC0G07MSSDSR.....	P. 114	JBXHH0G02MSNDSR.....	P. 22	JBXHH2G003MSSDSR.....	P. 48
JBXHC0G08FPNDSR.....	P. 134	JBXHH0G02MSSDSR.....	P. 22	JBXHH2G004FCNDSR.....	P. 72
JBXHC0G08FPSDSR.....	P. 134	JBXHH0G03FCNDSR.....	P. 38	JBXHH2G004FCSDSR.....	P. 72
JBXHC0G08FSNDSR.....	P. 134	JBXHH0G03FCSDSR.....	P. 38	JBXHH2G004FSNDSR.....	P. 72
JBXHC0G08FSSDSR.....	P. 134	JBXHH0G03FSSDSR.....	P. 38	JBXHH2G004FSSDSR.....	P. 72
JBXHC0G08MPNDSR.....	P. 134	JBXHH0G03MCNDSR.....	P. 38	JBXHH2G004MCNDSR.....	P. 72
JBXHC0G08MPSDSR.....	P. 134	JBXHH0G03MCSDSR.....	P. 38	JBXHH2G004MCSDSR.....	P. 72
JBXHC0G08MSNDSR.....	P. 134	JBXHH0G03MSNDSR.....	P. 38	JBXHH2G004MSNDSR.....	P. 72
JBXHC0G08MSSDSR.....	P. 134	JBXHH0G03MSSDSR.....	P. 38	JBXHH2G004MSSDSR.....	P. 72
JBXHD0G02FCNDSR.....	P. 22	JBXHH0G04FCNDSR.....	P. 62	JBXHH2G005FCNDSR.....	P. 92
JBXHD0G02FCSDSR.....	P. 22	JBXHH0G04FCSDSR.....	P. 62	JBXHH2G005FCSDSR.....	P. 92
JBXHD0G02FSNDSR.....	P. 22	JBXHH0G04FSNDSR.....	P. 62	JBXHH2G005FSNDSR.....	P. 92
JBXHD0G02FSSDSR.....	P. 22	JBXHH0G04FSSDSR.....	P. 62	JBXHH2G005FSSDSR.....	P. 92
		JBXHH0G04MCNDSR.....	P. 62	JBXHH2G005MCSNDSR.....	P. 92
		JBXHH0G04MCSDSR.....	P. 62	JBXHH2G005MCSDSR.....	P. 92
		JBXHH0G04MSNDSR.....	P. 62	JBXHH2G005MSNDSR.....	P. 92
		JBXHH0G04MSSDSR.....	P. 62	JBXHH2G005MSSDSR.....	P. 92

Part Number Index (Continued)

JBXHH2G06FCNDSR.....	P. 108	JBXPC0G02FCNDSMR.....	P. 20	JBXPC0G06FSNDSMR.....	P. 96
JBXHH2G06FCSDSR.....	P. 108	JBXPC0G02FCNDSR.....	P. 20	JBXPC0G06FSNDSR.....	P. 96
JBXHH2G06FSNDSR.....	P. 108	JBXPC0G02FCSDSMR.....	P. 20	JBXPC0G06FSSDSMR.....	P. 96
JBXHH2G06FSSDSR.....	P. 108	JBXPC0G02FCSDSR.....	P. 20	JBXPC0G06FSSDSR.....	P. 96
JBXHH2G06MCNDSR.....	P. 108	JBXPC0G02FSNDSMR.....	P. 20	JBXPC0G06MSNDSMR.....	P. 96
JBXHH2G06MCSDSR.....	P. 108	JBXPC0G02FSNDSR.....	P. 20	JBXPC0G06MSNDSR.....	P. 96
JBXHH2G06MSNDSR.....	P. 108	JBXPC0G02FSSDSMR.....	P. 20	JBXPC0G06MSSDSMR.....	P. 96
JBXHH2G06MSSDSR.....	P. 108	JBXPC0G02FSSDSR.....	P. 20	JBXPC0G06MSSDSR.....	P. 96
JBXHH2G07FCNDSR.....	P. 124	JBXPC0G02MCNDSMR.....	P. 20	JBXPC0G07FSNDSMR.....	P. 112
JBXHH2G07FCSDSR.....	P. 124	JBXPC0G02MCNDSR.....	P. 20	JBXPC0G07FSNDSR.....	P. 112
JBXHH2G07FSNDSR.....	P. 124	JBXPC0G02MCSDSMR.....	P. 20	JBXPC0G07FSSDSMR.....	P. 112
JBXHH2G07FSSDSR.....	P. 124	JBXPC0G02MCSDSR.....	P. 20	JBXPC0G07FSSDSR.....	P. 112
JBXHH2G07MCNDSR.....	P. 124	JBXPC0G02MSNDSMR.....	P. 20	JBXPC0G07MSNDSMR.....	P. 112
JBXHH2G07MCSDSR.....	P. 124	JBXPC0G02MSNDSR.....	P. 20	JBXPC0G07MSNDSR.....	P. 112
JBXHH2G07MSNDSR.....	P. 124	JBXPC0G02MSSDSMR.....	P. 20	JBXPC0G07MSSDSMR.....	P. 112
JBXHH2G07MSSDSR.....	P. 124	JBXPC0G02MSSDSR.....	P. 20	JBXPC0G07MSSDSR.....	P. 112
JBXHH2G08FCNDSR.....	P. 144	JBXPC0G03FCNDSMR.....	P. 36	JBXPC0G08FSNDSMR.....	P. 132
JBXHH2G08FCSDSR.....	P. 144	JBXPC0G03FCNDSR.....	P. 36	JBXPC0G08FSNDSR.....	P. 132
JBXHH2G08FSNDSR.....	P. 144	JBXPC0G03FCSDSMR.....	P. 36	JBXPC0G08FSSDSMR.....	P. 132
JBXHH2G08FSSDSR.....	P. 144	JBXPC0G03FCSDSR.....	P. 36	JBXPC0G08FSSDSR.....	P. 132
JBXHH2G08MCNDSR.....	P. 144	JBXPC0G03FSNDSMR.....	P. 36	JBXPC0G08MSNDSMR.....	P. 132
JBXHH2G08MCSDSR.....	P. 144	JBXPC0G03FSNDSR.....	P. 36	JBXPC0G08MSNDSR.....	P. 132
JBXHH2G08MSNDSR.....	P. 144	JBXPC0G03FSSDSMR.....	P. 36	JBXPC0G08MSSDSMR.....	P. 132
JBXHH2G08MSSDSR.....	P. 144	JBXPC0G03FSSDSR.....	P. 36	JBXPC0G08MSSDSR.....	P. 132
JBXHH2G10FCNDSR.....	P. 170	JBXPC0G03MCNDSMR.....	P. 36	JBXPC1G02FCNDSMR.....	P. 26
JBXHH2G10FCSDSR.....	P. 170	JBXPC0G03MCNDSR.....	P. 36	JBXPC1G02FCNDSR.....	P. 26
JBXHH2G10FSNDSR.....	P. 170	JBXPC0G03MCSDSMR.....	P. 36	JBXPC1G02FCSDSMR.....	P. 26
JBXHH2G10FSSDSR.....	P. 170	JBXPC0G03MCSDSR.....	P. 36	JBXPC1G02FCSDSR.....	P. 26
JBXHH2G10MCNDSR.....	P. 170	JBXPC0G03MSNDSMR.....	P. 36	JBXPC1G02FSNDSMR.....	P. 26
JBXHH2G10MCSDSR.....	P. 170	JBXPC0G03MSNDSR.....	P. 36	JBXPC1G02FSNDSR.....	P. 26
JBXHH2G10MSNDSR.....	P. 170	JBXPC0G03MSSDSMR.....	P. 36	JBXPC1G02FSSDSMR.....	P. 26
JBXHH2G10MSSDSR.....	P. 170	JBXPC0G03MSSDSR.....	P. 36	JBXPC1G02FSSDSR.....	P. 26
JBXHH2G12FCNDSR.....	P. 190	JBXPC0G04FCNDSMR.....	P. 60	JBXPC1G02MCNDSMR.....	P. 26
JBXHH2G12FCSDSR.....	P. 190	JBXPC0G04FCNDSR.....	P. 60	JBXPC1G02MCNDSR.....	P. 26
JBXHH2G12FSNDSR.....	P. 190	JBXPC0G04FCSDSMR.....	P. 60	JBXPC1G02MCSDSMR.....	P. 26
JBXHH2G12FSSDSR.....	P. 190	JBXPC0G04FCSDSR.....	P. 60	JBXPC1G02MCSDSR.....	P. 26
JBXHH2G12MCNDSR.....	P. 190	JBXPC0G04FSNDSMR.....	P. 60	JBXPC1G02MSNDSMR.....	P. 26
JBXHH2G12MCSDSR.....	P. 190	JBXPC0G04FSNDSR.....	P. 60	JBXPC1G02MSNDSR.....	P. 26
JBXHH2G12MSNDSR.....	P. 190	JBXPC0G04FSSDSMR.....	P. 60	JBXPC1G02MSSDSMR.....	P. 26
JBXHH2G12MSSDSR.....	P. 190	JBXPC0G04FSSDSR.....	P. 60	JBXPC1G02MSSDSR.....	P. 26
JBXHH2G16FCNDSR.....	P. 200	JBXPC0G04MCNDSMR.....	P. 60	JBXPC1G03FCNDSMR.....	P. 42
JBXHH2G16FCSDSR.....	P. 200	JBXPC0G04MCNDSR.....	P. 60	JBXPC1G03FCNDSR.....	P. 42
JBXHH2G16FSNDSR.....	P. 200	JBXPC0G04MCSDSMR.....	P. 60	JBXPC1G03FCSDSMR.....	P. 42
JBXHH2G16FSSDSR.....	P. 200	JBXPC0G04MCSDSR.....	P. 60	JBXPC1G03FCSDSR.....	P. 42
JBXHH2G16MCNDSR.....	P. 200	JBXPC0G04MSNDSMR.....	P. 60	JBXPC1G03FSNDSMR.....	P. 42
JBXHH2G16MCSDSR.....	P. 200	JBXPC0G04MSNDSR.....	P. 60	JBXPC1G03FSNDSR.....	P. 42
JBXHH2G16MSNDSR.....	P. 200	JBXPC0G04MSSDSMR.....	P. 60	JBXPC1G03FSSDSMR.....	P. 42
JBXHH2G16MSSDSR.....	P. 200	JBXPC0G04MSSDSR.....	P. 60	JBXPC1G03FSSDSR.....	P. 42
JBXHH2G18FCNDSR.....	P. 206	JBXPC0G05FCNDSMR.....	P. 80	JBXPC1G03MCNDSMR.....	P. 42
JBXHH2G18FCSDSR.....	P. 206	JBXPC0G05FCNDSR.....	P. 80	JBXPC1G03MCNDSR.....	P. 42
JBXHH2G18FSNDSR.....	P. 206	JBXPC0G05FCSDSMR.....	P. 80	JBXPC1G03MCSDSMR.....	P. 42
JBXHH2G18FSSDSR.....	P. 206	JBXPC0G05FCSDSR.....	P. 80	JBXPC1G03MCSDSR.....	P. 42
JBXHH2G18MCNDSR.....	P. 206	JBXPC0G05FSNDSMR.....	P. 80	JBXPC1G03MSNDSMR.....	P. 42
JBXHH2G18MCSDSR.....	P. 206	JBXPC0G05FSNDSR.....	P. 80	JBXPC1G03MSNDSR.....	P. 42
JBXHH2G18MSNDSR.....	P. 206	JBXPC0G05FSSDSMR.....	P. 80	JBXPC1G03MSSDSMR.....	P. 42
JBXHH2G18MSSDSR.....	P. 206	JBXPC0G05FSSDSR.....	P. 80	JBXPC1G03MSSDSR.....	P. 42
JBXHH2G19FCNDSR.....	P. 216	JBXPC0G05MCNDSMR.....	P. 80	JBXPC1G04FCNDSMR.....	P. 66
JBXHH2G19FCSDSR.....	P. 216	JBXPC0G05MCNDSR.....	P. 80	JBXPC1G04FCNDSR.....	P. 66
JBXHH2G19FSNDSR.....	P. 216	JBXPC0G05MCSDSMR.....	P. 80	JBXPC1G04FCSDSMR.....	P. 66
JBXHH2G19FSSDSR.....	P. 216	JBXPC0G05MCSDSR.....	P. 80	JBXPC1G04FCSDSR.....	P. 66
JBXHH2G19MCNDSR.....	P. 216	JBXPC0G05MSNDSMR.....	P. 80	JBXPC1G04FSNDSMR.....	P. 66
JBXHH2G19MCSDSR.....	P. 216	JBXPC0G05MSNDSR.....	P. 80	JBXPC1G04FSNDSR.....	P. 66
JBXHH2G19MSNDSR.....	P. 216	JBXPC0G05MSSDSMR.....	P. 80	JBXPC1G04FSSDSMR.....	P. 66
JBXHH2G19MSSDSR.....	P. 216	JBXPC0G05MSSDSR.....	P. 80	JBXPC1G04FSSDSR.....	P. 66

JBXPC1G04MCNDSMR	P. 66	JBXPC1G08MCNDSMR	P. 138	JBXPC2G03FCNDSMR	P. 46
JBXPC1G04MCNDSR	P. 66	JBXPC1G08MCNDSR	P. 138	JBXPC2G03FCNDSR	P. 46
JBXPC1G04MCSDSMR	P. 66	JBXPC1G08MCSDSMR	P. 138	JBXPC2G03FCSDSMR	P. 46
JBXPC1G04MCSDSR	P. 66	JBXPC1G08MCSDSR	P. 138	JBXPC2G03FCSDSR	P. 46
JBXPC1G04MSNDSMR	P. 66	JBXPC1G08MSNDSMR	P. 138	JBXPC2G03FSNDSMR	P. 46
JBXPC1G04MSNDSR	P. 66	JBXPC1G08MSNDSR	P. 138	JBXPC2G03FSNDSR	P. 46
JBXPC1G04MSSDSMR	P. 66	JBXPC1G08MSSDSMR	P. 138	JBXPC2G03FSSDSMR	P. 46
JBXPC1G04MSSDSR	P. 66	JBXPC1G08MSSDSR	P. 138	JBXPC2G03FSSDSR	P. 46
JBXPC1G05FCNDSMR	P. 86	JBXPC1G10FSNDSMR	P. 164	JBXPC2G03MCNDSMR	P. 46
JBXPC1G05FCNDSR	P. 86	JBXPC1G10FSNDSR	P. 164	JBXPC2G03MCNDSR	P. 46
JBXPC1G05FCSDSMR	P. 86	JBXPC1G10FSSDSMR	P. 164	JBXPC2G03MCSDSMR	P. 46
JBXPC1G05FCSDSR	P. 86	JBXPC1G10FSSDSR	P. 164	JBXPC2G03MCSDSR	P. 46
JBXPC1G05FSNDSMR	P. 86	JBXPC1G10MSNDSMR	P. 164	JBXPC2G03MSNDSMR	P. 46
JBXPC1G05FSNDSR	P. 86	JBXPC1G10MSNDSR	P. 164	JBXPC2G03MSNDSR	P. 46
JBXPC1G05FSSDSMR	P. 86	JBXPC1G10MSSDSMR	P. 164	JBXPC2G03MSSDSMR	P. 46
JBXPC1G05FSSDSR	P. 86	JBXPC1G10MSSDSR	P. 164	JBXPC2G03MSSDSR	P. 46
JBXPC1G05MCNDSMR	P. 86	JBXPC1G12FSNDSMR	P. 184	JBXPC2G04FCNDSMR	P. 70
JBXPC1G05MCNDSR	P. 86	JBXPC1G12FSNDSR	P. 184	JBXPC2G04FCNDSR	P. 70
JBXPC1G05MCSDSMR	P. 86	JBXPC1G12FSSDSMR	P. 184	JBXPC2G04FCSDSMR	P. 70
JBXPC1G05MCSDSR	P. 86	JBXPC1G12FSSDSR	P. 184	JBXPC2G04FCSDSR	P. 70
JBXPC1G05MSNDSMR	P. 86	JBXPC1G12MSNDSMR	P. 184	JBXPC2G04FSNDSMR	P. 70
JBXPC1G05MSNDSR	P. 86	JBXPC1G12MSNDSR	P. 184	JBXPC2G04FSNDSR	P. 70
JBXPC1G05MSSDSMR	P. 86	JBXPC1G12MSSDSMR	P. 184	JBXPC2G04FSSDSMR	P. 70
JBXPC1G05MSSDSR	P. 86	JBXPC1G12MSSDSR	P. 184	JBXPC2G04FSSDSR	P. 70
JBXPC1G06FCNDSMR	P. 102	JBXPC2G001FSNDSMR	P. 148	JBXPC2G04MCNDSMR	P. 70
JBXPC1G06FCNDSR	P. 102	JBXPC2G001FSNDSR	P. 148	JBXPC2G04MCNDSR	P. 70
JBXPC1G06FCSDSMR	P. 102	JBXPC2G001FSSDSMR	P. 148	JBXPC2G04MCSDSMR	P. 70
JBXPC1G06FCSDSR	P. 102	JBXPC2G001FSSDSR	P. 148	JBXPC2G04MCSDSR	P. 70
JBXPC1G06FSNDSMR	P. 102	JBXPC2G001MSNDSMR	P. 148	JBXPC2G04MSNDSMR	P. 70
JBXPC1G06FSNDSR	P. 102	JBXPC2G001MSNDSR	P. 148	JBXPC2G04MSNDSR	P. 70
JBXPC1G06FSSDSMR	P. 102	JBXPC2G001MSSDSMR	P. 148	JBXPC2G04MSSDSMR	P. 70
JBXPC1G06FSSDSR	P. 102	JBXPC2G001MSSDSR	P. 148	JBXPC2G04MSSDSR	P. 70
JBXPC1G06MCNDSMR	P. 102	JBXPC2G002FSNDSMR	P. 158	JBXPC2G05FCNDSMR	P. 90
JBXPC1G06MCNDSR	P. 102	JBXPC2G002FSNDSR	P. 158	JBXPC2G05FCNDSR	P. 90
JBXPC1G06MCSDSMR	P. 102	JBXPC2G002FSSDSMR	P. 158	JBXPC2G05FCSDSMR	P. 90
JBXPC1G06MCSDSR	P. 102	JBXPC2G002FSSDSR	P. 158	JBXPC2G05FCSDSR	P. 90
JBXPC1G06MSNDSMR	P. 102	JBXPC2G002MSNDSMR	P. 158	JBXPC2G05FSNDSMR	P. 90
JBXPC1G06MSNDSR	P. 102	JBXPC2G002MSNDSR	P. 158	JBXPC2G05FSNDSR	P. 90
JBXPC1G06MSSDSMR	P. 102	JBXPC2G002MSSDSMR	P. 158	JBXPC2G05FSSDSMR	P. 90
JBXPC1G06MSSDSR	P. 102	JBXPC2G002MSSDSR	P. 158	JBXPC2G05FSSDSR	P. 90
JBXPC1G07FCNDSMR	P. 118	JBXPC2G003FSNDSMR	P. 174	JBXPC2G05MCNDSMR	P. 90
JBXPC1G07FCNDSR	P. 118	JBXPC2G003FSNDSR	P. 174	JBXPC2G05MCNDSR	P. 90
JBXPC1G07FCSDSMR	P. 118	JBXPC2G003FSSDSMR	P. 174	JBXPC2G05MCSDSMR	P. 90
JBXPC1G07FCSDSR	P. 118	JBXPC2G003FSSDSR	P. 174	JBXPC2G05MCSDSR	P. 90
JBXPC1G07FSNDSMR	P. 118	JBXPC2G003MSNDSMR	P. 174	JBXPC2G05MSNDSMR	P. 90
JBXPC1G07FSNDSR	P. 118	JBXPC2G003MSNDSR	P. 174	JBXPC2G05MSNDSR	P. 90
JBXPC1G07FSSDSMR	P. 118	JBXPC2G003MSSDSMR	P. 174	JBXPC2G05MSSDSMR	P. 90
JBXPC1G07FSSDSR	P. 118	JBXPC2G003MSSDSR	P. 174	JBXPC2G05MSSDSR	P. 90
JBXPC1G07MCNDSMR	P. 118	JBXPC2G02FCNDSMR	P. 30	JBXPC2G06FCNDSMR	P. 106
JBXPC1G07MCNDSR	P. 118	JBXPC2G02FCNDSR	P. 30	JBXPC2G06FCNDSR	P. 106
JBXPC1G07MCSDSMR	P. 118	JBXPC2G02FCSDSMR	P. 30	JBXPC2G06FCSDSMR	P. 106
JBXPC1G07MCSDSR	P. 118	JBXPC2G02FCSDSR	P. 30	JBXPC2G06FCSDSR	P. 106
JBXPC1G07MSNDSMR	P. 118	JBXPC2G02FSNDSMR	P. 30	JBXPC2G06FSNDSMR	P. 106
JBXPC1G07MSNDSR	P. 118	JBXPC2G02FSNDSR	P. 30	JBXPC2G06FSNDSR	P. 106
JBXPC1G07MSSDSMR	P. 118	JBXPC2G02FSSDSMR	P. 30	JBXPC2G06FSSDSMR	P. 106
JBXPC1G07MSSDSR	P. 118	JBXPC2G02FSSDSR	P. 30	JBXPC2G06FSSDSR	P. 106
JBXPC1G08FCNDSMR	P. 138	JBXPC2G02MCNDSMR	P. 30	JBXPC2G06MCNDSMR	P. 106
JBXPC1G08FCNDSR	P. 138	JBXPC2G02MCNDSR	P. 30	JBXPC2G06MCNDSR	P. 106
JBXPC1G08FCSDSMR	P. 138	JBXPC2G02MCSDSMR	P. 30	JBXPC2G06MCSDSMR	P. 106
JBXPC1G08FCSDSR	P. 138	JBXPC2G02MCSDSR	P. 30	JBXPC2G06MCSDSR	P. 106
JBXPC1G08FSNDSMR	P. 138	JBXPC2G02MSNDSMR	P. 30	JBXPC2G06MSNDSMR	P. 106
JBXPC1G08FSNDSR	P. 138	JBXPC2G02MSNDSR	P. 30	JBXPC2G06MSNDSR	P. 106
JBXPC1G08FSSDSMR	P. 138	JBXPC2G02MSSDSMR	P. 30	JBXPC2G06MSSDSMR	P. 106
JBXPC1G08FSSDSR	P. 138	JBXPC2G02MSSDSR	P. 30	JBXPC2G06MSSDSR	P. 106

Part Number Index (Continued)

JBXPC2G07FCNDSMR.....	P. 122	JBXPC2G16FCNDSMR.....	P. 198	JBXSA2G04FCNDS.....	P. 70
JBXPC2G07FCNDSR.....	P. 122	JBXPC2G16FCNDSR.....	P. 198	JBXSA2G04FCNDSM.....	P. 70
JBXPC2G07FCSDSMR.....	P. 122	JBXPC2G16FCSDSMR.....	P. 198	JBXSA2G04FCSDS.....	P. 70
JBXPC2G07FCSDSR.....	P. 122	JBXPC2G16FCSDSR.....	P. 198	JBXSA2G04FCSDSM.....	P. 70
JBXPC2G07FSNDSMR.....	P. 122	JBXPC2G16FSNDSMR.....	P. 198	JBXSA2G04MCNDS.....	P. 70
JBXPC2G07FSNDSR.....	P. 122	JBXPC2G16FSNDSR.....	P. 198	JBXSA2G04MCNDSM.....	P. 70
JBXPC2G07FSSDSMR.....	P. 122	JBXPC2G16FSSDSMR.....	P. 198	JBXSA2G04MCSDS.....	P. 70
JBXPC2G07FSSDSR.....	P. 122	JBXPC2G16FSSDSR.....	P. 198	JBXSA2G04MCSDSM.....	P. 70
JBXPC2G07MCNDSMR.....	P. 122	JBXPC2G16MCNDSMR.....	P. 198	JBXSA2G05FCNDS.....	P. 90
JBXPC2G07MCNDSR.....	P. 122	JBXPC2G16MCNDSR.....	P. 198	JBXSA2G05FCNDSM.....	P. 90
JBXPC2G07MCSDSMR.....	P. 122	JBXPC2G16MCSDSMR.....	P. 198	JBXSA2G05FCSDS.....	P. 90
JBXPC2G07MCSDSR.....	P. 122	JBXPC2G16MCSDSR.....	P. 198	JBXSA2G05FCSDSM.....	P. 90
JBXPC2G07MCSNDSMR.....	P. 122	JBXPC2G16MCSNDSMR.....	P. 198	JBXSA2G05MCNDS.....	P. 90
JBXPC2G07MCSNDSR.....	P. 122	JBXPC2G16MCSNDSR.....	P. 198	JBXSA2G05MCNDSM.....	P. 90
JBXPC2G07MSSDSMR.....	P. 122	JBXPC2G16MSSDSMR.....	P. 198	JBXSA2G05MCSDS.....	P. 90
JBXPC2G07MSSDSR.....	P. 122	JBXPC2G16MSSDSR.....	P. 198	JBXSA2G05MCSDSM.....	P. 90
JBXPC2G08FCNDSMR.....	P. 142	JBXPC2G18FCNDSMR.....	P. 204	JBXSA2G06FCNDS.....	P. 106
JBXPC2G08FCNDSR.....	P. 142	JBXPC2G18FCNDSR.....	P. 204	JBXSA2G06FCNDSM.....	P. 106
JBXPC2G08FCSDSMR.....	P. 142	JBXPC2G18FCSDSMR.....	P. 204	JBXSA2G06FCSDS.....	P. 106
JBXPC2G08FCSDSR.....	P. 142	JBXPC2G18FCSDSR.....	P. 204	JBXSA2G06FCSDSM.....	P. 106
JBXPC2G08FSNDSMR.....	P. 142	JBXPC2G18FSNDSMR.....	P. 204	JBXSA2G06MCNDS.....	P. 106
JBXPC2G08FSNDSR.....	P. 142	JBXPC2G18FSNDSR.....	P. 204	JBXSA2G06MCNDSM.....	P. 106
JBXPC2G08FSSDSMR.....	P. 142	JBXPC2G18FSSDSMR.....	P. 204	JBXSA2G06MCSDS.....	P. 106
JBXPC2G08FSSDSR.....	P. 142	JBXPC2G18FSSDSR.....	P. 204	JBXSA2G06MCSDSM.....	P. 106
JBXPC2G08MCNDSMR.....	P. 142	JBXPC2G18MCNDSMR.....	P. 204	JBXSA2G07FCNDS.....	P. 122
JBXPC2G08MCNDSR.....	P. 142	JBXPC2G18MCNDSR.....	P. 204	JBXSA2G07FCNDSM.....	P. 122
JBXPC2G08MCSDSMR.....	P. 142	JBXPC2G18MCSDSMR.....	P. 204	JBXSA2G07FCSDS.....	P. 122
JBXPC2G08MCSDSR.....	P. 142	JBXPC2G18MCSDSR.....	P. 204	JBXSA2G07FCSDSM.....	P. 122
JBXPC2G08MCSNDSMR.....	P. 142	JBXPC2G18MCSNDSMR.....	P. 204	JBXSA2G07MCNDS.....	P. 122
JBXPC2G08MCSNDSR.....	P. 142	JBXPC2G18MCSNDSR.....	P. 204	JBXSA2G07MCNDSM.....	P. 122
JBXPC2G08MSSDSMR.....	P. 142	JBXPC2G18MSSDSMR.....	P. 204	JBXSA2G07MCSDS.....	P. 122
JBXPC2G08MSSDSR.....	P. 142	JBXPC2G18MSSDSR.....	P. 204	JBXSA2G07MCSDSM.....	P. 122
JBXPC2G10FCNDSMR.....	P. 168	JBXPC2G19FCNDSMR.....	P. 214	JBXSA2G08FCNDS.....	P. 142
JBXPC2G10FCNDSR.....	P. 168	JBXPC2G19FCNDSR.....	P. 214	JBXSA2G08FCNDSM.....	P. 142
JBXPC2G10FCSDSMR.....	P. 168	JBXPC2G19FCSDSMR.....	P. 214	JBXSA2G08FCSDS.....	P. 142
JBXPC2G10FCSDSR.....	P. 168	JBXPC2G19FCSDSR.....	P. 214	JBXSA2G08FCSDSM.....	P. 142
JBXPC2G10FSNDSMR.....	P. 168	JBXPC2G19FSNDSMR.....	P. 214	JBXSA2G08MCNDS.....	P. 142
JBXPC2G10FSNDSR.....	P. 168	JBXPC2G19FSNDSR.....	P. 214	JBXSA2G08MCNDSM.....	P. 142
JBXPC2G10FSSDSMR.....	P. 168	JBXPC2G19FSSDSMR.....	P. 214	JBXSA2G08MCSDS.....	P. 142
JBXPC2G10FSSDSR.....	P. 168	JBXPC2G19FSSDSR.....	P. 214	JBXSA2G08MCSDSM.....	P. 142
JBXPC2G10MCNDSMR.....	P. 168	JBXPC2G19MCNDSMR.....	P. 214	JBXSA2G10FCNDS.....	P. 168
JBXPC2G10MCNDSR.....	P. 168	JBXPC2G19MCNDSR.....	P. 214	JBXSA2G10FCNDSM.....	P. 168
JBXPC2G10MCSDSMR.....	P. 168	JBXPC2G19MCSDSMR.....	P. 214	JBXSA2G10FCSDS.....	P. 168
JBXPC2G10MCSDSR.....	P. 168	JBXPC2G19MCSDSR.....	P. 214	JBXSA2G10FCSDSM.....	P. 168
JBXPC2G10MCSNDSMR.....	P. 168	JBXPC2G19MCSNDSMR.....	P. 214	JBXSA2G10MCNDS.....	P. 168
JBXPC2G10MCSNDSR.....	P. 168	JBXPC2G19MCSNDSR.....	P. 214	JBXSA2G10MCNDSM.....	P. 168
JBXPC2G10MSSDSMR.....	P. 168	JBXPC2G19MSSDSMR.....	P. 214	JBXSA2G10MCSDS.....	P. 168
JBXPC2G10MSSDSR.....	P. 168	JBXPC2G19MSSDSR.....	P. 214	JBXSA2G10MCSDSM.....	P. 168
JBXPC2G12FCNDSMR.....	P. 188	JBXSA2G02FCNDS.....	P. 30	JBXSA2G12FCNDS.....	P. 188
JBXPC2G12FCNDSR.....	P. 188	JBXSA2G02FCNDSM.....	P. 30	JBXSA2G12FCNDSM.....	P. 188
JBXPC2G12FCSDSMR.....	P. 188	JBXSA2G02FCSDS.....	P. 30	JBXSA2G12FCSDS.....	P. 188
JBXPC2G12FCSDSR.....	P. 188	JBXSA2G02FCSDSM.....	P. 30	JBXSA2G12FCSDSM.....	P. 188
JBXPC2G12FSNDSMR.....	P. 188	JBXSA2G02MCNDS.....	P. 30	JBXSA2G12MCNDS.....	P. 188
JBXPC2G12FSNDSR.....	P. 188	JBXSA2G02MCNDSM.....	P. 30	JBXSA2G12MCNDSM.....	P. 188
JBXPC2G12FSSDSMR.....	P. 188	JBXSA2G02MCSDS.....	P. 30	JBXSA2G12MCSDS.....	P. 188
JBXPC2G12FSSDSR.....	P. 188	JBXSA2G02MCSDSM.....	P. 30	JBXSA2G12MCSDSM.....	P. 188
JBXPC2G12MCNDSMR.....	P. 188	JBXSA2G03FCNDS.....	P. 46	JBXSA2G16FCNDS.....	P. 198
JBXPC2G12MCNDSR.....	P. 188	JBXSA2G03FCNDSM.....	P. 46	JBXSA2G16FCNDSM.....	P. 198
JBXPC2G12MCSDSMR.....	P. 188	JBXSA2G03FCSDS.....	P. 46	JBXSA2G16FCSDS.....	P. 198
JBXPC2G12MCSDSR.....	P. 188	JBXSA2G03FCSDSM.....	P. 46	JBXSA2G16FCSDSM.....	P. 198
JBXPC2G12MCSNDSMR.....	P. 188	JBXSA2G03MCNDS.....	P. 46	JBXSA2G16MCNDS.....	P. 198
JBXPC2G12MCSNDSR.....	P. 188	JBXSA2G03MCNDSM.....	P. 46	JBXSA2G16MCNDSM.....	P. 198
JBXPC2G12MSSDSMR.....	P. 188	JBXSA2G03MCSDS.....	P. 46	JBXSA2G16MCSDS.....	P. 198
JBXPC2G12MSSDSR.....	P. 188	JBXSA2G03MCSDSM.....	P. 46	JBXSA2G16MCSDSM.....	P. 198

JBXSA2G18FCNDS	P. 204	JBXSR1G04FSNDSMR	P. 66	JBXSR3G04FSNDSMR	P. 76
JBXSA2G18FCNDSM	P. 204	JBXSR1G04FSNDSR	P. 66	JBXSR3G04FSNDSR	P. 76
JBXSA2G18FCSDS	P. 204	JBXSR1G04FSSDSMR	P. 66	JBXSR3G04FSSDSMR	P. 76
JBXSA2G18FCSDSM	P. 204	JBXSR1G04FSSDSR	P. 66	JBXSR3G04FSSDSR	P. 76
JBXSA2G18MCNDS	P. 204	JBXSR1G04MSNDSMR	P. 66	JBXSR3G04MSNDSMR	P. 76
JBXSA2G18MCNDSM	P. 204	JBXSR1G04MSNDSR	P. 66	JBXSR3G04MSNDSR	P. 76
JBXSA2G18MCSDS	P. 204	JBXSR1G04MSSDSMR	P. 66	JBXSR3G04MSSDSMR	P. 76
JBXSA2G18MCSDSM	P. 204	JBXSR1G04MSSDSR	P. 66	JBXSR3G04MSSDSR	P. 76
JBXSA2G19FCNDS	P. 214	JBXSR1G05FSNDSMR	P. 86	JBXSR3G07FSNDSMR	P. 128
JBXSA2G19FCNDSM	P. 214	JBXSR1G05FSNDSR	P. 86	JBXSR3G07FSNDSR	P. 128
JBXSA2G19FCSDS	P. 214	JBXSR1G05FSSDSMR	P. 86	JBXSR3G07FSSDSMR	P. 128
JBXSA2G19FCSDSM	P. 214	JBXSR1G05FSSDSR	P. 86	JBXSR3G07FSSDSR	P. 128
JBXSA2G19MCNDS	P. 214	JBXSR1G05MSNDSMR	P. 86	JBXSR3G07MSNDSMR	P. 128
JBXSA2G19MCNDSM	P. 214	JBXSR1G05MSNDSR	P. 86	JBXSR3G07MSNDSR	P. 128
JBXSA2G19MCSDS	P. 214	JBXSR1G05MSSDSMR	P. 86	JBXSR3G07MSSDSMR	P. 128
JBXSA2G19MCSDSM	P. 214	JBXSR1G05MSSDSR	P. 86	JBXSR3G07MSSDSR	P. 128
JBXSR0G02FCNDSMR	P. 20	JBXSR1G06FSNDSMR	P. 102	JBXSR3G08FSNDSMR	P. 154
JBXSR0G02FCNDSR	P. 20	JBXSR1G06FSNDSR	P. 102	JBXSR3G08FSNDSR	P. 154
JBXSR0G02FCSDS	P. 20	JBXSR1G06FSSDSMR	P. 102	JBXSR3G08FSSDSMR	P. 154
JBXSR0G02FCSDS	P. 20	JBXSR1G06FSSDSR	P. 102	JBXSR3G08FSSDSR	P. 154
JBXSR0G02MCNDSMR	P. 20	JBXSR1G06MSNDSMR	P. 102	JBXSR3G08MSNDSMR	P. 154
JBXSR0G02MCNDSR	P. 20	JBXSR1G06MSNDSR	P. 102	JBXSR3G08MSNDSR	P. 154
JBXSR0G02MCSDSMR	P. 20	JBXSR1G06MSSDSMR	P. 102	JBXSR3G08MSSDSMR	P. 154
JBXSR0G02MCSDSR	P. 20	JBXSR1G06MSSDSR	P. 102	JBXSR3G08MSSDSR	P. 154
JBXSR0G03FCNDSMR	P. 36	JBXSR1G07FSNDSMR	P. 118	JBXSR3G10FSNDSMR	P. 180
JBXSR0G03FCNDSR	P. 36	JBXSR1G07FSNDSR	P. 118	JBXSR3G10FSNDSR	P. 180
JBXSR0G03FCSDS	P. 36	JBXSR1G07FSSDSMR	P. 118	JBXSR3G10FSSDSMR	P. 180
JBXSR0G03FCSDS	P. 36	JBXSR1G07FSSDSR	P. 118	JBXSR3G10FSSDSR	P. 180
JBXSR0G03MCNDSMR	P. 36	JBXSR1G07MSNDSMR	P. 118	JBXSR3G10MSNDSMR	P. 180
JBXSR0G03MCNDSR	P. 36	JBXSR1G07MSNDSR	P. 118	JBXSR3G10MSNDSR	P. 180
JBXSR0G03MCSDSMR	P. 36	JBXSR1G07MSSDSMR	P. 118	JBXSR3G10MSSDSMR	P. 180
JBXSR0G03MCSDSR	P. 36	JBXSR1G07MSSDSR	P. 118	JBXSR3G10MSSDSR	P. 180
JBXSR0G04FCNDSMR	P. 60	JBXSR1G08FSNDSMR	P. 138	JBXSR3G14FSNDSMR	P. 194
JBXSR0G04FCNDSR	P. 60	JBXSR1G08FSNDSR	P. 138	JBXSR3G14FSNDSR	P. 194
JBXSR0G04FCSDS	P. 60	JBXSR1G08FSSDSMR	P. 138	JBXSR3G14FSSDSMR	P. 194
JBXSR0G04FCSDS	P. 60	JBXSR1G08FSSDSR	P. 138	JBXSR3G14FSSDSR	P. 194
JBXSR0G04MCNDSMR	P. 60	JBXSR1G08MSNDSMR	P. 138	JBXSR3G14MSNDSMR	P. 194
JBXSR0G04MCNDSR	P. 60	JBXSR1G08MSNDSR	P. 138	JBXSR3G14MSNDSR	P. 194
JBXSR0G04MCSDSMR	P. 60	JBXSR1G08MSSDSMR	P. 138	JBXSR3G14MSSDSMR	P. 194
JBXSR0G04MCSDSR	P. 60	JBXSR1G08MSSDSR	P. 138	JBXSR3G14MSSDSR	P. 194
JBXSR0G05FCNDSMR	P. 80	JBXSR1G10FSNDSMR	P. 164	JBXSR3G18FSNDSMR	P. 210
JBXSR0G05FCNDSR	P. 80	JBXSR1G10FSNDSR	P. 164	JBXSR3G18FSNDSR	P. 210
JBXSR0G05FCSDS	P. 80	JBXSR1G10FSSDSMR	P. 164	JBXSR3G18FSSDSMR	P. 210
JBXSR0G05FCSDS	P. 80	JBXSR1G10FSSDSR	P. 164	JBXSR3G18FSSDSR	P. 210
JBXSR0G05MCNDSMR	P. 80	JBXSR1G10MSNDSMR	P. 164	JBXSR3G18MSNDSMR	P. 210
JBXSR0G05MCNDSR	P. 80	JBXSR1G10MSNDSR	P. 164	JBXSR3G18MSNDSR	P. 210
JBXSR0G05MCSDSMR	P. 80	JBXSR1G10MSSDSMR	P. 164	JBXSR3G18MSSDSMR	P. 210
JBXSR0G05MCSDSR	P. 80	JBXSR1G10MSSDSR	P. 164	JBXSR3G18MSSDSR	P. 210
JBXSR1G02FSNDSMR	P. 26	JBXSR1G12FSNDSMR	P. 184	JBXSR3G22FSNDSMR	P. 220
JBXSR1G02FSNDSR	P. 26	JBXSR1G12FSNDSR	P. 184	JBXSR3G22FSNDSR	P. 220
JBXSR1G02FSSDSMR	P. 26	JBXSR1G12FSSDSMR	P. 184	JBXSR3G22FSSDSMR	P. 220
JBXSR1G02FSSDSR	P. 26	JBXSR1G12FSSDSR	P. 184	JBXSR3G22FSSDSR	P. 220
JBXSR1G02MSNDSMR	P. 26	JBXSR1G12MSNDSMR	P. 184	JBXSR3G22MSNDSMR	P. 220
JBXSR1G02MSNDSR	P. 26	JBXSR1G12MSNDSR	P. 184	JBXSR3G22MSNDSR	P. 220
JBXSR1G02MSSDSMR	P. 26	JBXSR1G12MSSDSMR	P. 184	JBXSR3G22MSSDSMR	P. 220
JBXSR1G02MSSDSR	P. 26	JBXSR1G12MSSDSR	P. 184	JBXSR3G22MSSDSR	P. 220
JBXSR1G03FSNDSMR	P. 42	JBXSR3G03FSNDSMR	P. 52	JBXSR3G30FSNDSMR	P. 224
JBXSR1G03FSNDSR	P. 42	JBXSR3G03FSNDSR	P. 52	JBXSR3G30FSNDSR	P. 224
JBXSR1G03FSSDSMR	P. 42	JBXSR3G03FSSDSMR	P. 52	JBXSR3G30FSSDSMR	P. 224
JBXSR1G03FSSDSR	P. 42	JBXSR3G03FSSDSR	P. 52	JBXSR3G30FSSDSR	P. 224
JBXSR1G03MSNDSMR	P. 42	JBXSR3G03MSNDSMR	P. 52	JBXSR3G30MSNDSMR	P. 224
JBXSR1G03MSNDSR	P. 42	JBXSR3G03MSNDSR	P. 52	JBXSR3G30MSNDSR	P. 224
JBXSR1G03MSSDSMR	P. 42	JBXSR3G03MSSDSMR	P. 52	JBXSR3G30MSSDSMR	P. 224
JBXSR1G03MSSDSR	P. 42	JBXSR3G03MSSDSR	P. 52	JBXSR3G30MSSDSR	P. 224

Part Number Index (Continued)

Accessories

JAXRA00251..... P. 18
 JBX00MPA..... P. 18
 JBX00MPB..... P. 18
 JBX00MPG..... P. 18
 JBX00MPJ..... P. 18
 JBX00MPM..... P. 18
 JBX00MPN..... P. 18
 JBX00MPO..... P. 18
 JBX00MPR..... P. 18
 JBX00MPV..... P. 18
 JBX00RIA..... P. 18
 JBX00RIB..... P. 18
 JBX00RIG..... P. 18
 JBX00RIJ..... P. 18
 JBX00RIM..... P. 18
 JBX00RIN..... P. 18
 JBX00RIO..... P. 18
 JBX00RIR..... P. 18
 JBX00RIV..... P. 18
 JBXBF00..... P. 18
 JBXBR00..... P. 18
 JAXRA0251..... P. 24
 JBX0MPA..... P. 24
 JBX0MPB..... P. 24
 JBX0MPG..... P. 24
 JBX0MPJ..... P. 24
 JBX0MPM..... P. 24
 JBX0MPN..... P. 24
 JBX0MPO..... P. 24
 JBX0MPR..... P. 24
 JBX0MPV..... P. 24
 JBX0RIA..... P. 24
 JBX0RIB..... P. 24
 JBX0RIG..... P. 24
 JBX0RIJ..... P. 24
 JBX0RIM..... P. 24
 JBX0RIN..... P. 24
 JBX0RIO..... P. 24
 JBX0RIR..... P. 24
 JBX0RIV..... P. 24
 JBXBF0..... P. 24
 JBXBR0..... P. 24
 JAXRA1251..... P. 28
 JBX1MPA..... P. 28
 JBX1MPB..... P. 28
 JBX1MPG..... P. 28
 JBX1MPJ..... P. 28
 JBX1MPM..... P. 28
 JBX1MPN..... P. 28
 JBX1MPO..... P. 28
 JBX1MPR..... P. 28
 JBX1MPV..... P. 28
 JBX1RIA..... P. 28
 JBX1RIB..... P. 28
 JBX1RIG..... P. 28
 JBX1RIJ..... P. 28
 JBX1RIM..... P. 28
 JBX1RIN..... P. 28
 JBX1RIO..... P. 28
 JBX1RIR..... P. 28
 JBX1RIV..... P. 28
 JBXBF1..... P. 28
 JBXBR1..... P. 28

JAXRA2251..... P. 34
 JBX2MPA..... P. 34
 JBX2MPB..... P. 34
 JBX2MPG..... P. 34
 JBX2MPJ..... P. 34
 JBX2MPM..... P. 34
 JBX2MPN..... P. 34
 JBX2MPO..... P. 34
 JBX2MPR..... P. 34
 JBX2MPV..... P. 34
 JBX2RIA..... P. 34
 JBX2RIB..... P. 34
 JBX2RIG..... P. 34
 JBX2RIJ..... P. 34
 JBX2RIM..... P. 34
 JBX2RIN..... P. 34
 JBX2RIO..... P. 34
 JBX2RIR..... P. 34
 JBX2RIV..... P. 34
 JBXBF2..... P. 34
 JBXBR2..... P. 34
 JAXRA3251..... P. 52
 JBX3MPA..... P. 52
 JBX3MPB..... P. 52
 JBX3MPG..... P. 52
 JBX3MPJ..... P. 52
 JBX3MPM..... P. 52
 JBX3MPN..... P. 52
 JBX3MPO..... P. 52
 JBX3MPR..... P. 52
 JBX3MPV..... P. 52
 JBX3RIA..... P. 52
 JBX3RIB..... P. 52
 JBX3RIG..... P. 52
 JBX3RIJ..... P. 52
 JBX3RIM..... P. 52
 JBX3RIN..... P. 52
 JBX3RIO..... P. 52
 JBX3RIR..... P. 52
 JBX3RIV..... P. 52
 JBXBF3..... P. 52
 JBXBR3..... P. 52

Contacts

JBX0CTFC07..... P. 232
 JBX0CTFC09..... P. 232
 JBX0CTMC07..... P. 232
 JBX0CTMC09..... P. 232
 JBX0STFC07..... P. 231
 JBX0STFC09..... P. 231
 JBX0STMC07..... P. 231
 JBX0STMC09..... P. 231
 JBX1CTFC07..... P. 232
 JBX1CTFC09..... P. 232
 JBX1CTFC13..... P. 232
 JBX1CTMC07..... P. 232
 JBX1CTMC09..... P. 232
 JBX1CTMC13..... P. 232
 JBX1STFC07..... P. 231
 JBX1STFC09..... P. 231
 JBX1STFC13..... P. 231
 JBX1STMC07..... P. 231
 JBX1STMC09..... P. 231
 JBX1STMC13..... P. 231

JBX2CTFC07..... P. 232
 JBX2CTFC09..... P. 232
 JBX2CTFC13..... P. 232
 JBX2CTFC16..... P. 232
 JBX2CTFC20..... P. 232
 JBX2CTMC07..... P. 232
 JBX2CTMC09..... P. 232
 JBX2CTMC13..... P. 232
 JBX2CTMC16..... P. 232
 JBX2CTMC20..... P. 232
 JBX2STFC07..... P. 231
 JBX2STFC09..... P. 231
 JBX2STFC13..... P. 231
 JBX2STFC16..... P. 231
 JBX2STFC20..... P. 231
 JBX2STMC07..... P. 231
 JBX2STMC09..... P. 231
 JBX2STMC13..... P. 231
 JBX2STMC16..... P. 231
 JBX2STMC20..... P. 231
 JBX3CTFC07..... P. 232
 JBX3CTFC09..... P. 232
 JBX3CTFC13..... P. 232
 JBX3CTFC16..... P. 232
 JBX3CTFC20..... P. 232
 JBX3CTMC07..... P. 232
 JBX3CTMC09..... P. 232
 JBX3CTMC13..... P. 232
 JBX3CTMC16..... P. 232
 JBX3CTMC20..... P. 232
 JBX3STFC07..... P. 231
 JBX3STFC09..... P. 231
 JBX3STFC13..... P. 231
 JBX3STFC16..... P. 231
 JBX3STFC20..... P. 231
 JBX3STMC07..... P. 231
 JBX3STMC09..... P. 231
 JBX3STMC13..... P. 231
 JBX3STMC16..... P. 231
 JBX3STMC20..... P. 231

Tooling

JBX00UTLP07..... P. 235
 JBX00UTLP09..... P. 235
 JBX10UTLP13..... P. 235
 JBX20UTLP16..... P. 235
 JBX20UTLP20..... P. 235
 JBXOUTDC07..... P. 235
 JBXOUTDC09..... P. 235
 JBXOUTDC13..... P. 235
 JBXOUTDC16..... P. 235
 JBXOUTDC20..... P. 235
 MIL - 22520/1-01..... P. 235
 MIL - 22520/7-01..... P. 235

Reliable People, Reliable Solutions



Your local contact



Our contribution to environmental protection:
This catalog is printed on PEFC certified paper
Advancement of sustainable wood cultivation. www.pefc.org

www.souriau-industrial.com
contactindustry@souriau.com



SOURIAU