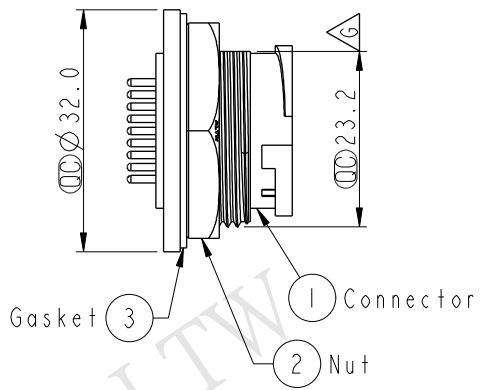
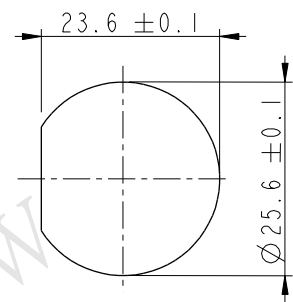
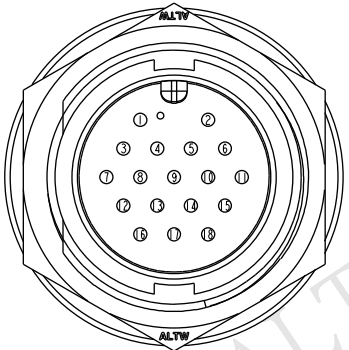
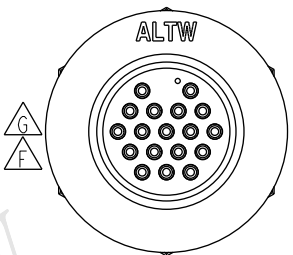
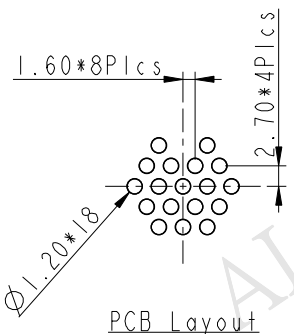
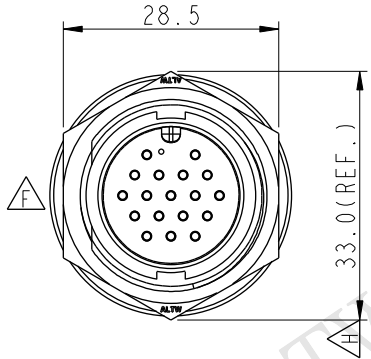
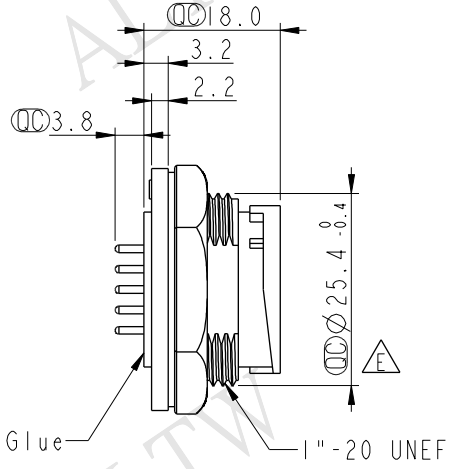


REV.	ECN NO.	DATE	SIGN	DESCRIPTION
F	LE3-030046	2010/03/01	Enoch	Update Drawing
G	LEN14C0582	2014/12/22	Sam	Update Logo & Dimenison
H	LEN1610095	2016/01/11	Vicky	Update Dimension & Note

ALTW
CONFIDENTIAL
2016-01-11
R&D DEPT.

ALTW
DCC. DEPT.
CONFIDENTIAL
2016.01.13
ISSUED



- Note:
- * \varnothing Important Dimension.
 - * Waterproof Rate: IP67
 - * Connector: Nylon+GF, Black
 - * Male Pin: Copper Alloy, Gold Plated
 - * Gasket: EPDM, Black
 - * Nut: Nylon+GF, Black
 - * Use Waterproof Cap or Dust Cap
Panel Thickness Max: 3.0mm
 - * Use without Waterproof Cap or Dust Cap
Panel Thickness Max: 4.0mm

UNIT: mm

TOLERANCE	
.X	±0.25
.XX	±0.1
.XXX	±0.05
ANGLES	±1°

TITLE Large Panel Lock 18Pin M Conn M Pin			
SCALE 1:1	SIZE A4	SHEET 1 OF 1	
REV. H	WC-REV. A.2	\varnothing : Inspection item	

Amphenol LTW
安費諾亮泰企業股份有限公司

ITEM NO. DD-18PMMP-LC7001	DRAWN BY Vicky	DATE 2016-01-11
DWG NO. DD-18PMMP-LC7001	CHECKED BY Rita	DATE 2016-01-11
CUSTOMER ALTW	APPROVED BY Lisa	DATE 2016-01-11

THIS DOCUMENT IS SUBJECT TO CHANGE WITHOUT NOTICE. IT IS CONFIDENTIAL AND A PROPERTY OF AMPHENOL LTW. DISCLOSURE TO THIRD PARTY HAS TO BE AUTHORIZED BY AMPHENOL LTW.