

**CHARACTERISTICS**

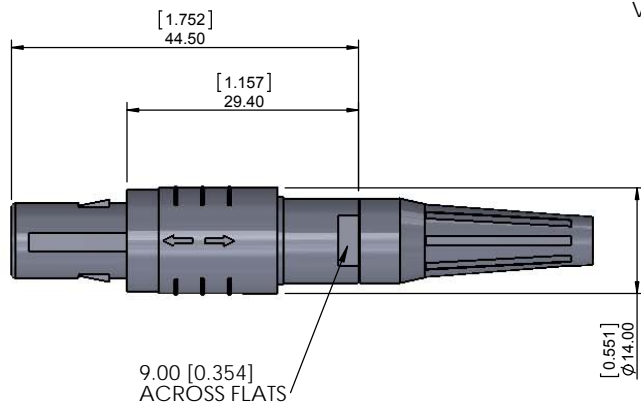
**MATERIALS**

HOUSING : ABS+PC  
 HOUSING COLOR : GREY  
 BOOT/SLEEVE : THERMOPLASTIC POLYURETHANE  
 CONTACTS : COPPER ALLOY  
 CONTACT PLATING : 7µ" GOLD PLATED OVER 196µ" NICKEL MIN.  
 INSULATOR : PPS (HIGH TEMPERATURE)

**MECHANICAL**

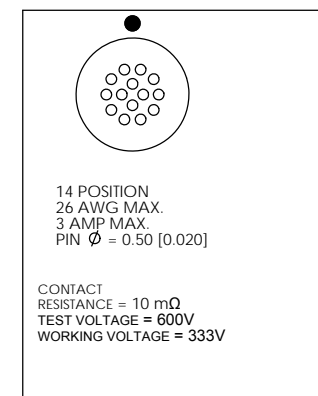
DURABILITY: 2000 CYCLES  
 OPERATING TEMP. RANGE: -20° C ~ +120° C  
 PROCESS TEMPERATURE : 260° C FOR 5 SECONDS  
 MAX. TORQUE VALUE: 0.5Nm [4.4 IN/LBS]

IP RATING: 50



**CHART B**

COLLET SIZE	WIRE DIAMETER
42	2.20 [0.087] ~ 4.00 [0.157]
52	4.00 [0.157] ~ 5.00 [0.197]
62	5.00 [0.197] ~ 6.00 [0.236]



**CHART A**

● = KEY LOCATION

 2 POSITION 22 AWG MAX. 10 AMP MAX. PIN Ø = 1.30 [0.051]  CONTACT RESISTANCE = 5 mΩ TEST VOLTAGE = 1250V WORKING VOLTAGE = 500V	 3 POSITION 22 AWG MAX. 10 AMP MAX. PIN Ø = 1.30 [0.051]  CONTACT RESISTANCE = 5 mΩ TEST VOLTAGE = 1250V WORKING VOLTAGE = 500V	 4 POSITION 22 AWG MAX. 8 AMP MAX. PIN Ø = 0.90 [0.035]  CONTACT RESISTANCE = 6 mΩ TEST VOLTAGE = 1250V WORKING VOLTAGE = 500V	 5 POSITION 22 AWG MAX. 8 AMP MAX. PIN Ø = 0.90 [0.035]  CONTACT RESISTANCE = 6 mΩ TEST VOLTAGE = 1100V WORKING VOLTAGE = 500V	 6 POSITION 24 AWG MAX. 6 AMP MAX. PIN Ø = 0.70 [0.028]  CONTACT RESISTANCE = 7.5 mΩ TEST VOLTAGE = 1000V WORKING VOLTAGE = 450V	 7 POSITION 24 AWG MAX. 6 AMP MAX. PIN Ø = 0.70 [0.028]  CONTACT RESISTANCE = 7.5 mΩ TEST VOLTAGE = 1000V WORKING VOLTAGE = 450V	 8 POSITION 24 AWG MAX. 5 AMP MAX. PIN Ø = 0.70 [0.028]  CONTACT RESISTANCE = 7.5 mΩ TEST VOLTAGE = 875V WORKING VOLTAGE = 400V	 9 POSITION 26 AWG MAX. 3 AMP MAX. PIN Ø = 0.50 [0.020]  CONTACT RESISTANCE = 10 mΩ TEST VOLTAGE = 600V WORKING VOLTAGE = 333V	 10 POSITION 26 AWG MAX. 3 AMP MAX. PIN Ø = 0.50 [0.020]  CONTACT RESISTANCE = 10 mΩ TEST VOLTAGE = 600V WORKING VOLTAGE = 333V
---	---	--	--	--	--	---	--	---

**RoHS COMPLIANT**



THESE DRAWINGS AND SPECIFICATIONS ARE THE PROPERTY OF NorComp AND SHALL NOT BE REPRODUCED, COPIED OR USED AS THE BASIS FOR THE MANUFACTURE OR SALE OF APPARATUS WITHOUT WRITTEN PERMISSION.

**NorComp**

DRAWN: <b>M. SIGMON</b>	DATE: <b>10-04-16</b>	SCALE: <b>N.T.S.</b>	SHEET <b>1</b> OF <b>1</b>	REV: <b>1</b>
CHECKED:	DATE:		DWG NO. <b>8P1PYYY17BYLYY1</b>	