

8P1P YYY 2 1 0 YR BR 1

SERIES 14.00 [0.551]

OF POSITIONS (Ex. 002)
SEE CHART A

2 = FEMALE

BOARD MOUNT (PANEL MOUNT)

PLASTIC SHELL

1 = GOLD FLASH

RoHS COMPLIANT

NUT "B" COLOR
G = GREY
A = BLUE
J = YELLOW
N = BLACK
R = RED
V = GREEN

CHARACTERISTICS

MATERIALS

HOUSING : ABS+PC
HOUSING COLOR : GREY
NUT A : BRASS
NUT A PLATING : NICKEL
CONTACTS : COPPER ALLOY
CONTACT PLATING : 7µ" GOLD PLATED OVER 196µ" NICKEL MIN.
INSULATOR : PPS (HIGH TEMPERATURE)

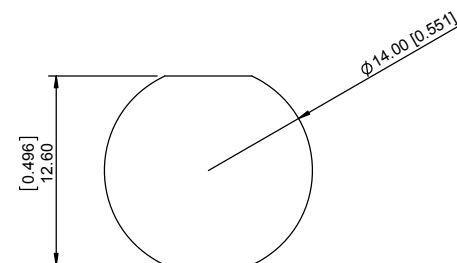
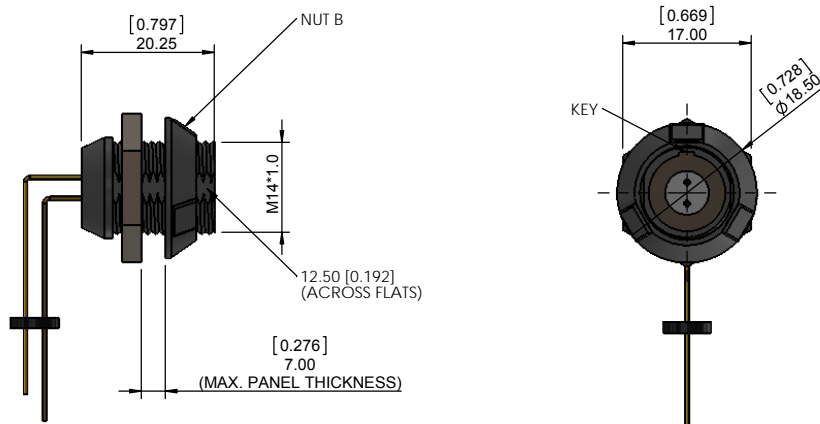
MECHANICAL

DURABILITY: 2000 CYCLES
OPERATING TEMP. RANGE: -20° C ~ +120° C
PROCESS TEMPERATURE : 260° C FOR 5 SECONDS
MAX. TORQUE VALUE : 0.7 Nm [6.19 IN/lbs]

IP RATING: 50

NOTE

SEE PAGE 2 FOR BOARD LAYOUTS



PANEL CUTOUT

TOLERANCE = +0.10, -0.0
[+0.004, -0.00]

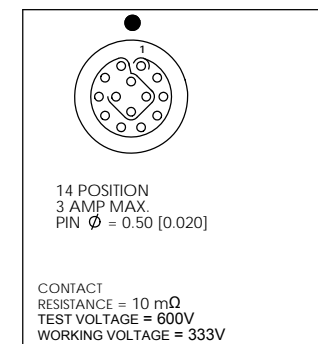


CHART A

● = KEY LOCATION

VIEW FROM TERMINATION END

 2 POSITION 10 AMP MAX. PIN Ø = 1.30 [0.051]	 3 POSITION 10 AMP MAX. PIN Ø = 1.30 [0.051]	 4 POSITION 8 AMP MAX. PIN Ø = 0.90 [0.035]	 5 POSITION 8 AMP MAX. PIN Ø = 0.90 [0.035]	 6 POSITION 6 AMP MAX. PIN Ø = 0.70 [0.028]	 7 POSITION 6 AMP MAX. PIN Ø = 0.70 [0.028]	 8 POSITION 5 AMP MAX. PIN Ø = 0.70 [0.028]	 9 POSITION 3 AMP MAX. PIN Ø = 0.50 [0.020]	 10 POSITION 3 AMP MAX. PIN Ø = 0.50 [0.020]
CONTACT RESISTANCE = 5 mΩ TEST VOLTAGE = 1250V WORKING VOLTAGE = 500V	CONTACT RESISTANCE = 5 mΩ TEST VOLTAGE = 1250V WORKING VOLTAGE = 500V	CONTACT RESISTANCE = 6 mΩ TEST VOLTAGE = 1250V WORKING VOLTAGE = 500V	CONTACT RESISTANCE = 6 mΩ TEST VOLTAGE = 1100V WORKING VOLTAGE = 500V	CONTACT RESISTANCE = 7.5 mΩ TEST VOLTAGE = 1000V WORKING VOLTAGE = 450V	CONTACT RESISTANCE = 7.5 mΩ TEST VOLTAGE = 1000V WORKING VOLTAGE = 450V	CONTACT RESISTANCE = 7.5 mΩ TEST VOLTAGE = 875V WORKING VOLTAGE = 400V	CONTACT RESISTANCE = 10 mΩ TEST VOLTAGE = 600V WORKING VOLTAGE = 333V	CONTACT RESISTANCE = 10 mΩ TEST VOLTAGE = 600V WORKING VOLTAGE = 333V

RoHS COMPLIANT



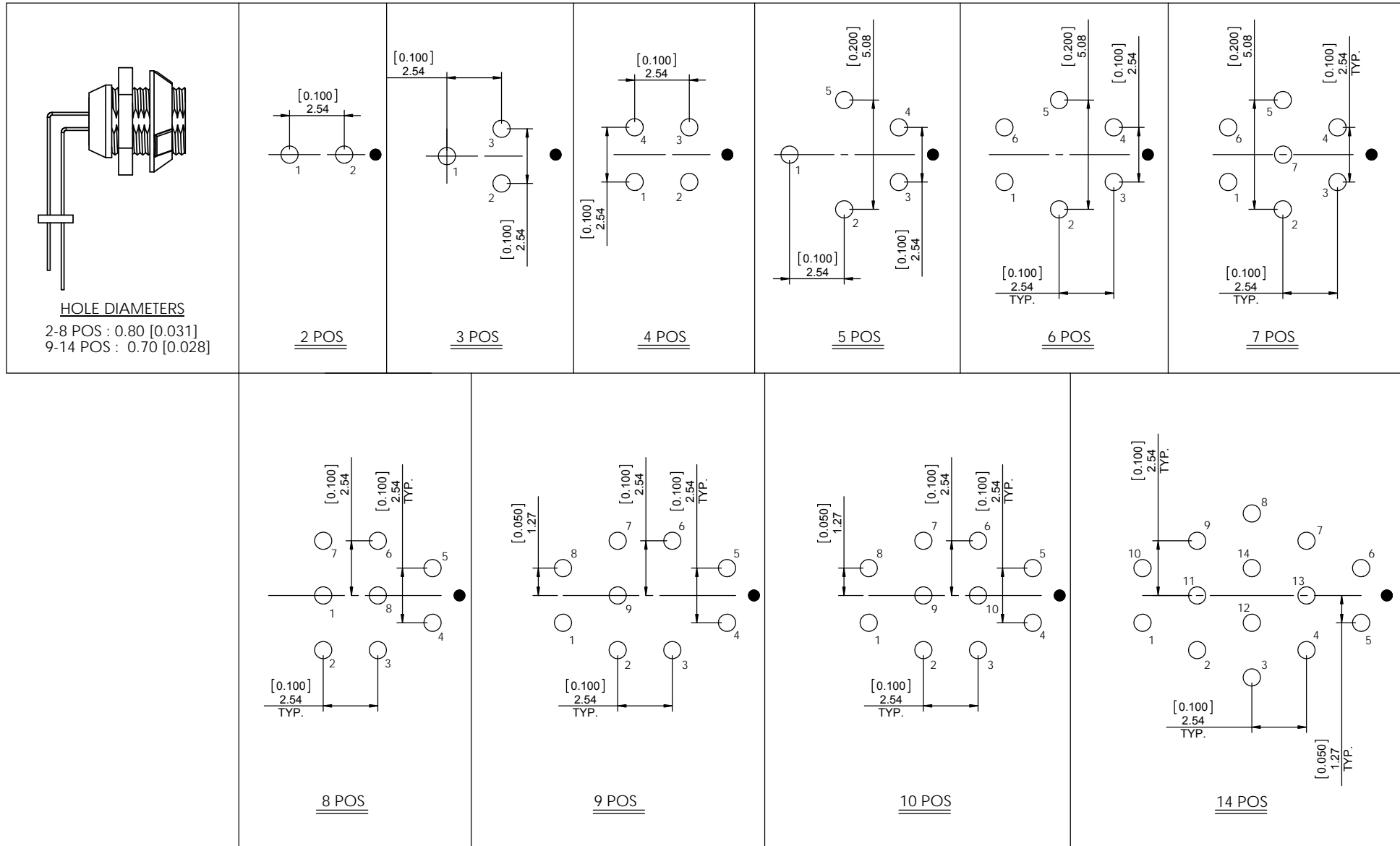
THESE DRAWINGS AND SPECIFICATIONS ARE THE PROPERTY OF NorComp AND SHALL NOT BE REPRODUCED, COPIED OR USED AS THE BASIS FOR THE MANUFACTURE OR SALE OF APPARATUS WITHOUT WRITTEN PERMISSION.

NorComp

DRAWN: M. SIGMON	DATE: 10-11-16	SCALE: N.T.S.	SHEET 1 OF 2	REV: 1
CHECKED:	DATE:		DWG NO. 8P1PYYY210YRBR1	

NOTE : **HOLE DIAMETERS ARE TYPICAL ALL SIZES**

● = KEY LOCATION



RoHS COMPLIANT



THESE DRAWINGS AND SPECIFICATIONS ARE THE PROPERTY OF NorComp AND SHALL NOT BE REPRODUCED, COPIED OR USED AS THE BASIS FOR THE MANUFACTURE OR SALE OF APPARATUS WITHOUT WRITTEN PERMISSION.

NorComp

DRAWN: M. SIGMON

DATE: 10-11-16

SCALE: N.T.S.

SHEET OF 2 2

REV: 1

CHECKED:

DATE:

DWG NO.

8P1PYYY210YRBR1