

****NOTE****
SEE PAGE 2 FOR BOARD LAYOUTS

CHARACTERISTICS

MATERIALS

- SHELL : BRASS
- SHELL PLATING : NICKEL
- NUT : BRASS
- NUT PLATING : NICKEL
- LATCH SLEEVE : BRASS
- LATCH SLEEVE PLATING : NICKEL
- CONTACTS : COPPER ALLOY
- CONTACT PLATING : 7µ" GOLD PLATED OVER 196µ" NICKEL MIN.
- INSULATOR : PPS (HIGH TEMPERATURE)
- O-RING : SILICONE

MECHANICAL

- DURABILITY: 5000 CYCLES
- OPERATING TEMP. RANGE: -40° C ~ +200° C
- PROCESS TEMPERATURE : 260° C FOR 5 SECONDS
- MAX. TORQUE VALUE : 9.0 Nm [79.0 IN/lbs]
- SHIELDING: 75dB @ 10MHz
- 40dB @ 1GHz

IP RATING: 67

822K YYY - 2 1 3 R 00 1

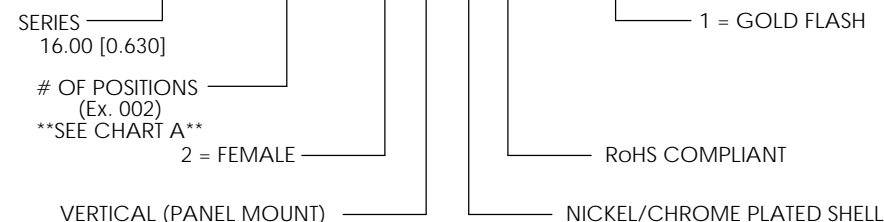
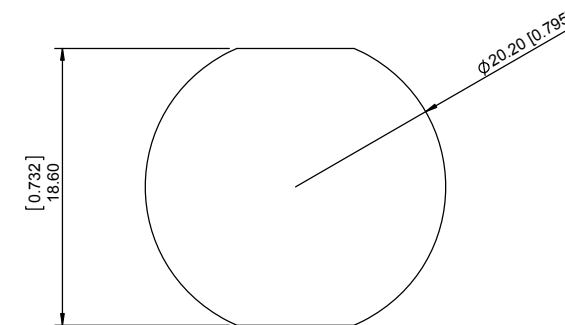


CHART A

● = KEY LOCATION ****VIEW FROM TERMINATION END****

 2 POSITION 30 AMP MAX. PIN Ø = 2.00 [0.079]	 3 POSITION 17 AMP MAX. PIN Ø = 1.60 [0.063]	 4 POSITION 15 AMP MAX. PIN Ø = 1.30 [0.051]	 6 POSITION 12 AMP MAX. PIN Ø = 1.30 [0.051]
CONTACT RESISTANCE = 3 mΩ TEST VOLTAGE = 2100V WORKING VOLTAGE = 700V	CONTACT RESISTANCE = 4 mΩ TEST VOLTAGE = 2400V WORKING VOLTAGE = 800V	CONTACT RESISTANCE = 5 mΩ TEST VOLTAGE = 1850V WORKING VOLTAGE = 610V	CONTACT RESISTANCE = 5 mΩ TEST VOLTAGE = 1350V WORKING VOLTAGE = 450V



PANEL CUTOUT

TOLERANCE = +0.10, -0.0
[+0.004, -0.00]

RoHS COMPLIANT



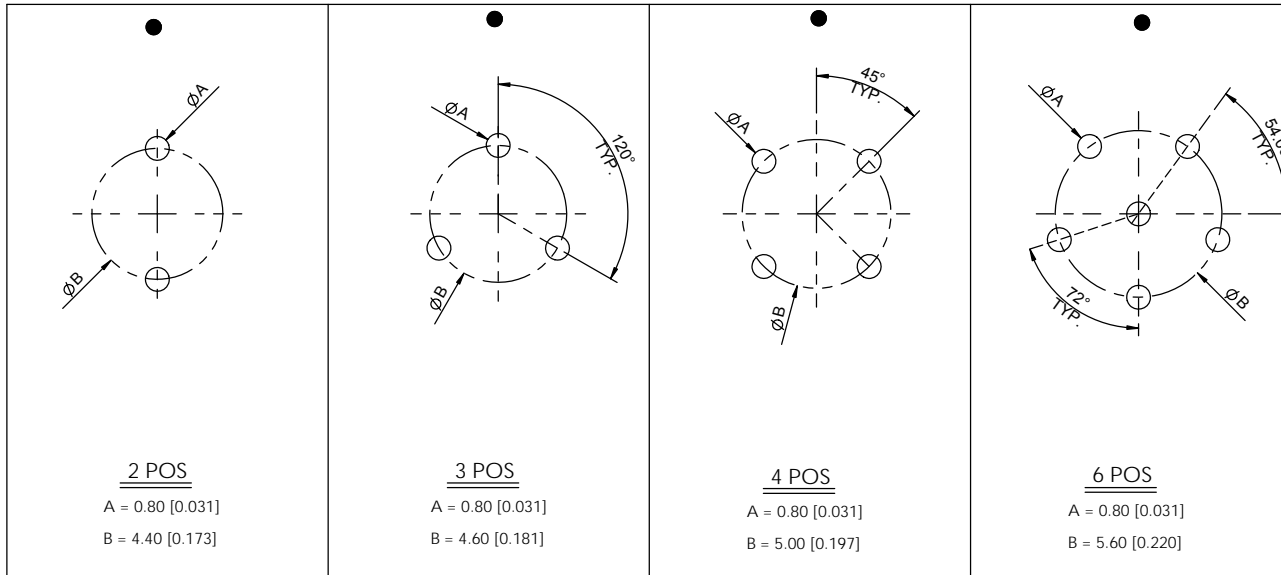
THESE DRAWINGS AND SPECIFICATIONS ARE THE PROPERTY OF NorComp AND SHALL NOT BE REPRODUCED, COPIED OR USED AS THE BASIS FOR THE MANUFACTURE OR SALE OF APPARATUS WITHOUT WRITTEN PERMISSION.

NorComp

DRAWN: M. SIGMON	DATE: 02-25-16	SCALE: N.T.S.	SHEET 1	OF 2	REV: 2
CHECKED:	DATE:		DWG NO. 822KYYY-213R001		

BOARD LAYOUTS

● = KEY LOCATION



RoHS COMPLIANT



THESE DRAWINGS AND SPECIFICATIONS ARE THE PROPERTY OF NorComp AND SHALL NOT BE REPRODUCED, COPIED OR USED AS THE BASIS FOR THE MANUFACTURE OR SALE OF APPARATUS WITHOUT WRITTEN PERMISSION.

NorComp

DRAWN: M. SIGMON	DATE: 02-25-16	SCALE: N.T.S.	SHEET 2 OF 2	REV: 2
CHECKED:	DATE:		DWG NO. 822KYYY-213R001	