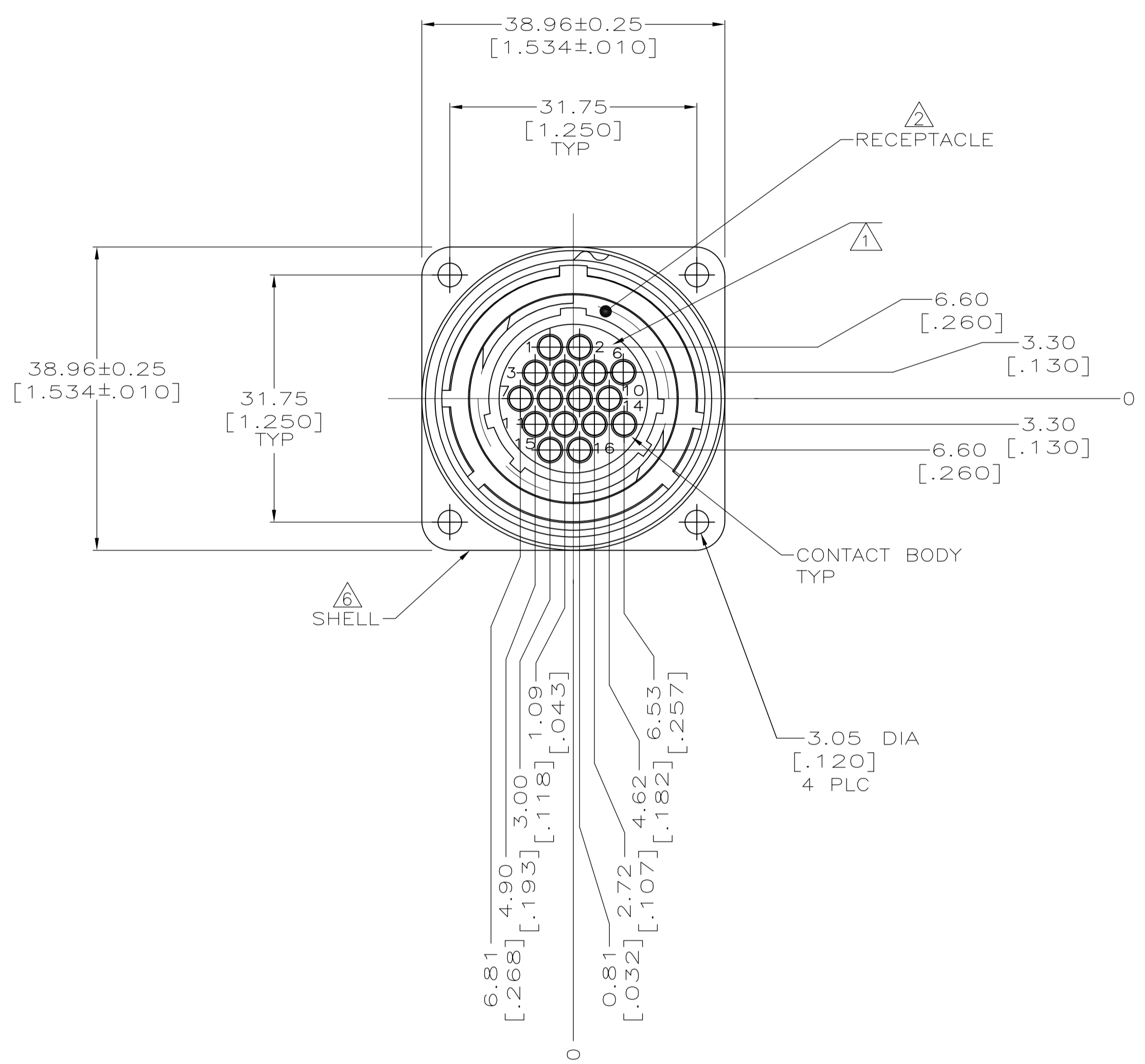
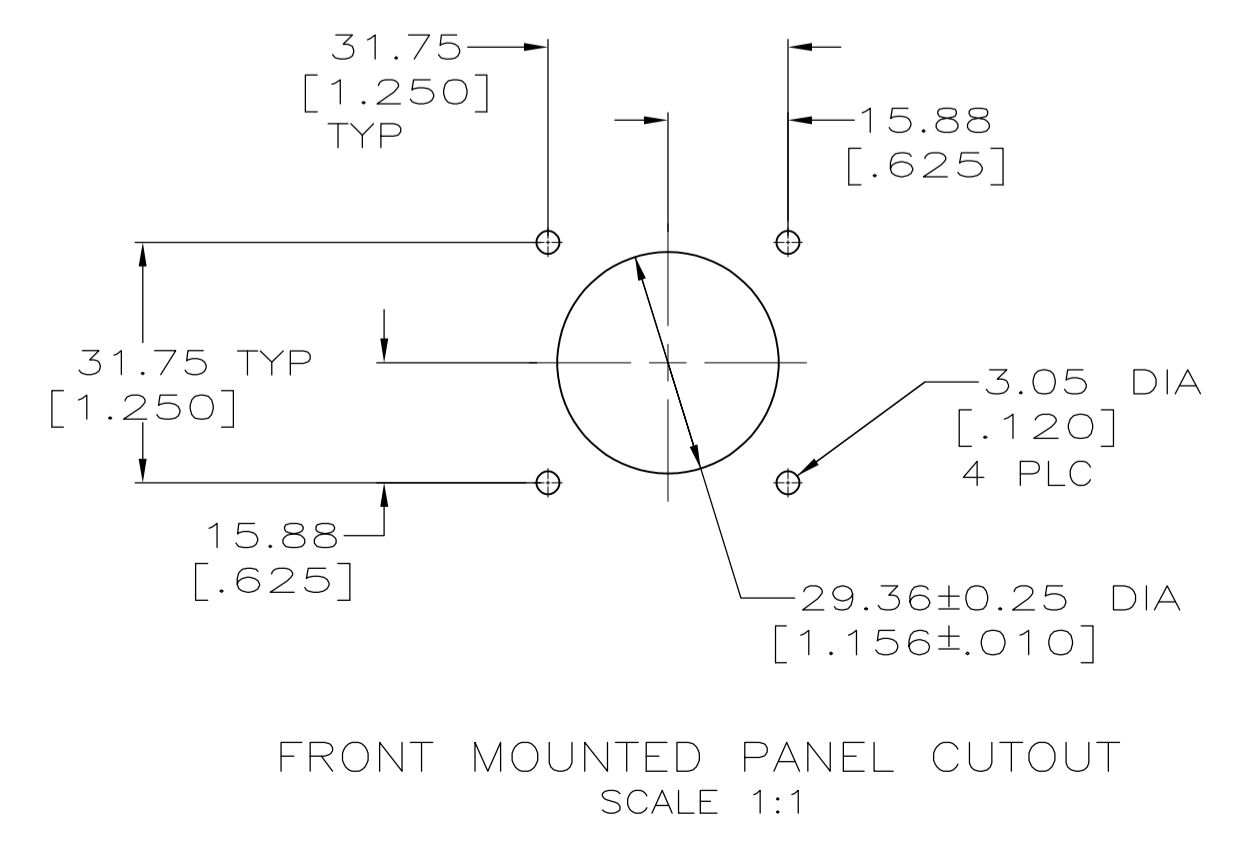
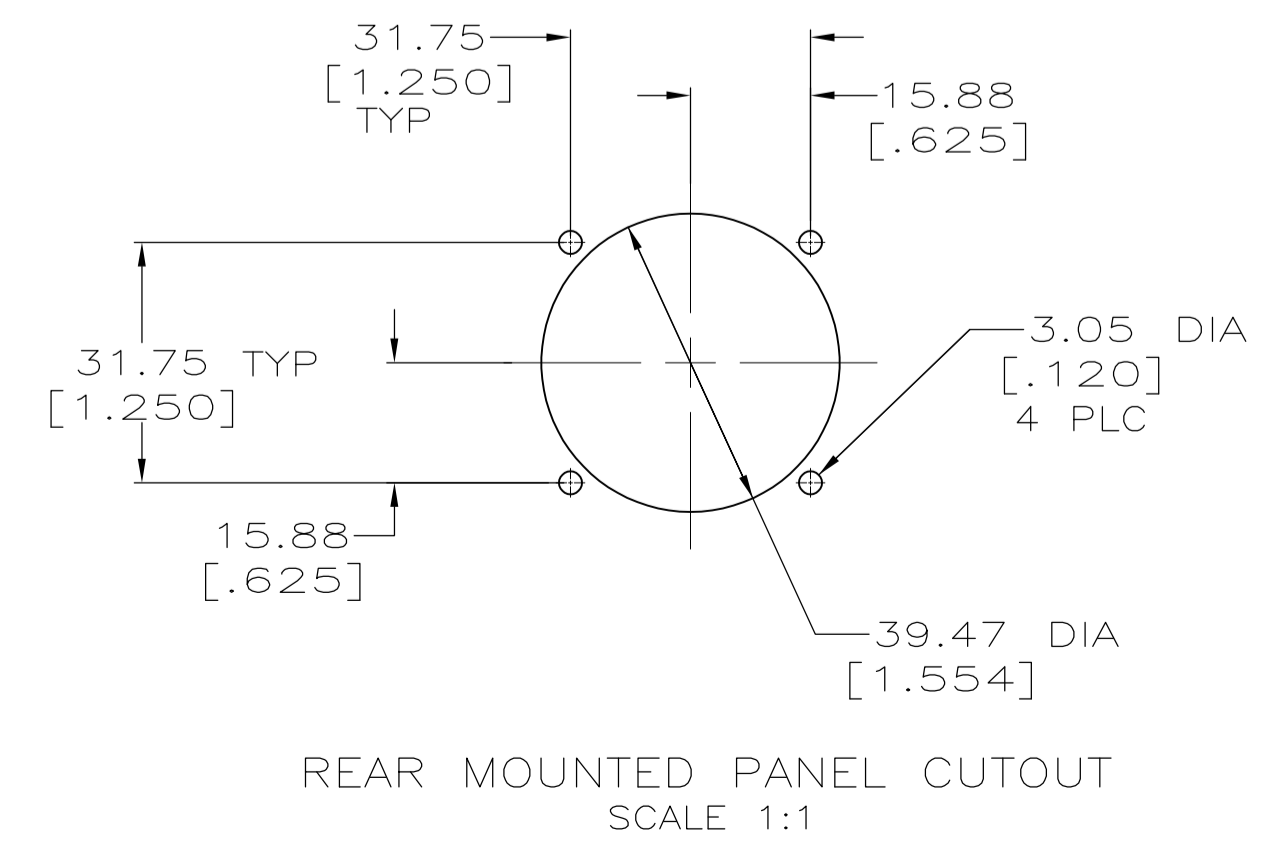
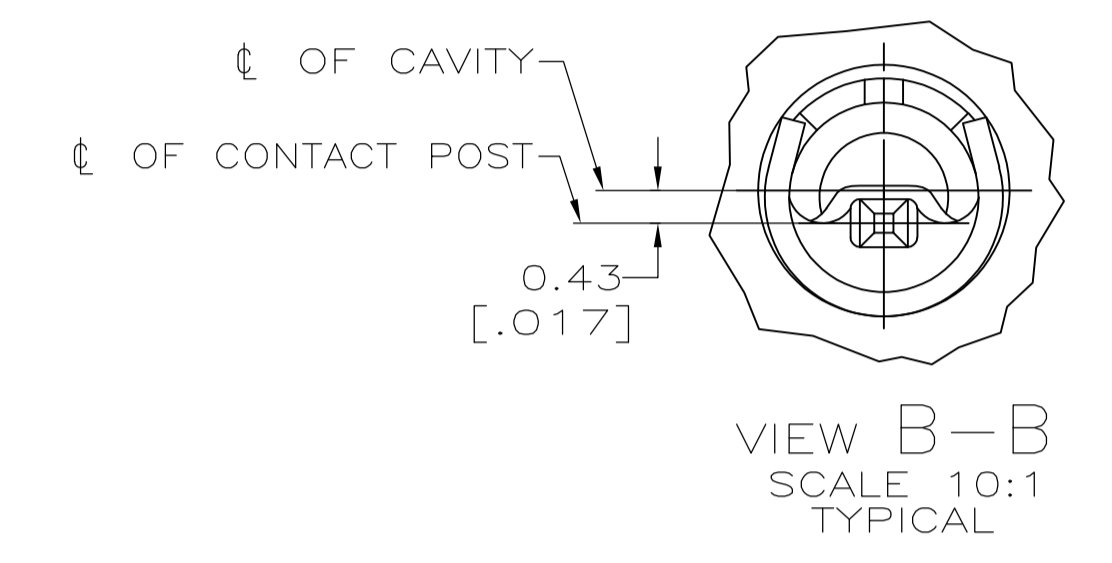
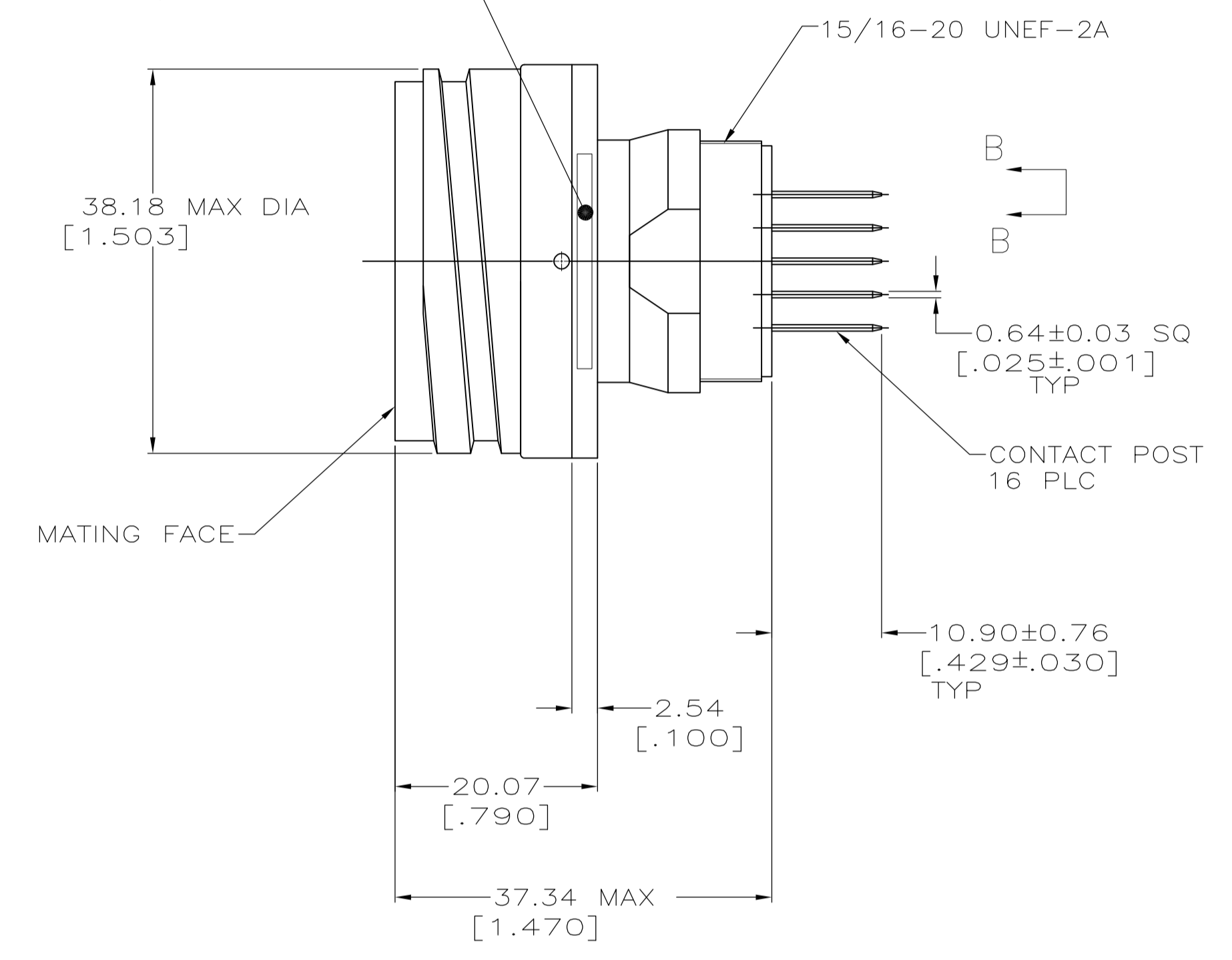


REVISIONS					
P	LTR	DESCRIPTION	DATE	DMN	APVD
B		REVISED PER ECO-07-000208	1/4/07	SS	SH
C		REVISED PER ECO-16-018358	09MAR2017	RS	MZ



PART NO & DATE CODE MARKED IN AREA INDICATED, ON EITHER SIDE



- ① CAVITY IDENTIFICATION CHARACTERS ON FRONT AND REAR FACE.
- ② NYLON, UL 94V-0 RATED, BLACK.
- ③ CONTACT BODY: 0.76um[.000030] MIN GOLD FOR A LENGTH OF 5.08[.200] MIN FROM MATING END, GOLD FLASH ON REMAINDER, BOTH OVER 1.27um [.000050] MIN NICKEL.
- ④ CONTACT POST: 2.54um[.000100] MIN TIN-LEAD OVER 2.54um[.000100] MIN COPPER.
- ⑤ CONTACT POST: 2.54um[.000100] MIN TIN OVER 2.54um[.000100] MIN COPPER.
- ⑥ SHELL: 5.08um[.000200] MIN NICKEL OVER 10.16um[.000400] MIN COPPER.
- ⑦ NO CONTACTS IN POSITION 10 AND 11.

⑦ OBSOLETE	⑤	213734-3
	⑥	213734-2
	④	213734-1
		POST FINISH PART NUMBER

THIS DRAWING IS A CONTROLLED DOCUMENT.		DIN C. OBERMAN 1-6-92	TE Connectivity	
DIMENSIONS: mm [INCHES]		CHK R. STONE 1-8-92	APVD	
TOLERANCES UNLESS OTHERWISE SPECIFIED:		NAME		
0 PLC ± -	1 PLC ± -	PRODUCT SPEC		
2 PLC ± ± 0.13 [.005]	3 PLC ± -	APPLICATION SPEC		
4 PLC ± -	ANGLES ± -	SIZE	CAGE CODE	DRAWING NO
MATERIAL	FINISH	WEIGHT	A1 00779	213734
CUSTOMER DRAWING		SCALE 2:1	SHEET 1 of 1	REV C