

ASSEMBLY NUMBER	PT NO.	A THREAD (PLATED) CLASS 2A	C +.010 -.025	J	L +.031 -.047	N DIA +.000 -.031	Q +.000 -.047	Z ±.035
71-146606-	06A-6-	3750-32UNEF	.328	.353	1.516	.453	.609	.525
71-146608-	-8-	5000-28UNEF				.578	.734	
71-146610-	-10-	6250-24UNEF				.703	.844	
71-146612-	-12-	7500-20UNEF				.828	1.016	
71-146614-	-14-	8750-20UNEF				.968	1.141	
71-146616-	-16-	10000-20UNEF				1.078	1.266	
71-146618-	-18-	11875-18 UNEF				1.203	1.375	
71-146620-	-20-	11875-18 UNEF		.415	1.578	1.328	1.516	.619
71-146622-	-22-	14375-18 UNEF			1.578	1.453	1.641	
71-146624-	-24-	14375-18 UNEF			1.662	1.567	1.761	
71-146625/50-								

REL NO. 32508-136		REVISIONS		M	
CHG NO.	SYM	DESCRIPTION	DATE	APPROVED	
45525 -184	A1	REDRAWN SAME SIZE, REV. DATA (MFG);	9-9-65 LESUER		Harrison

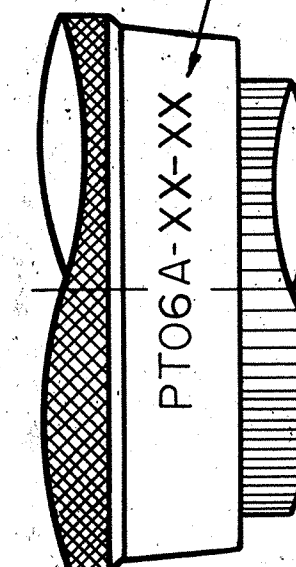
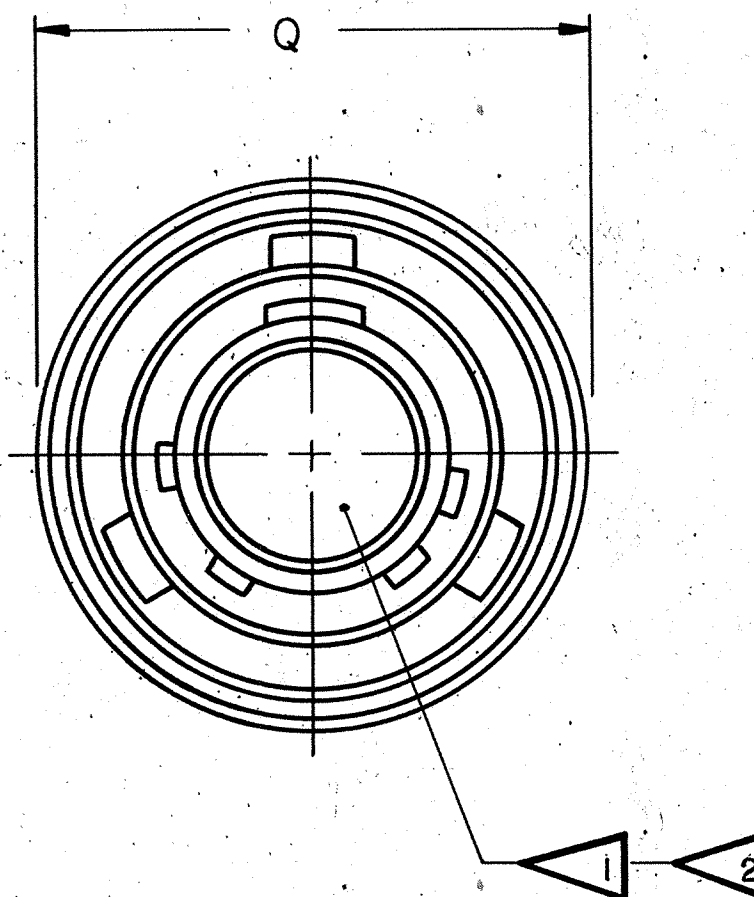
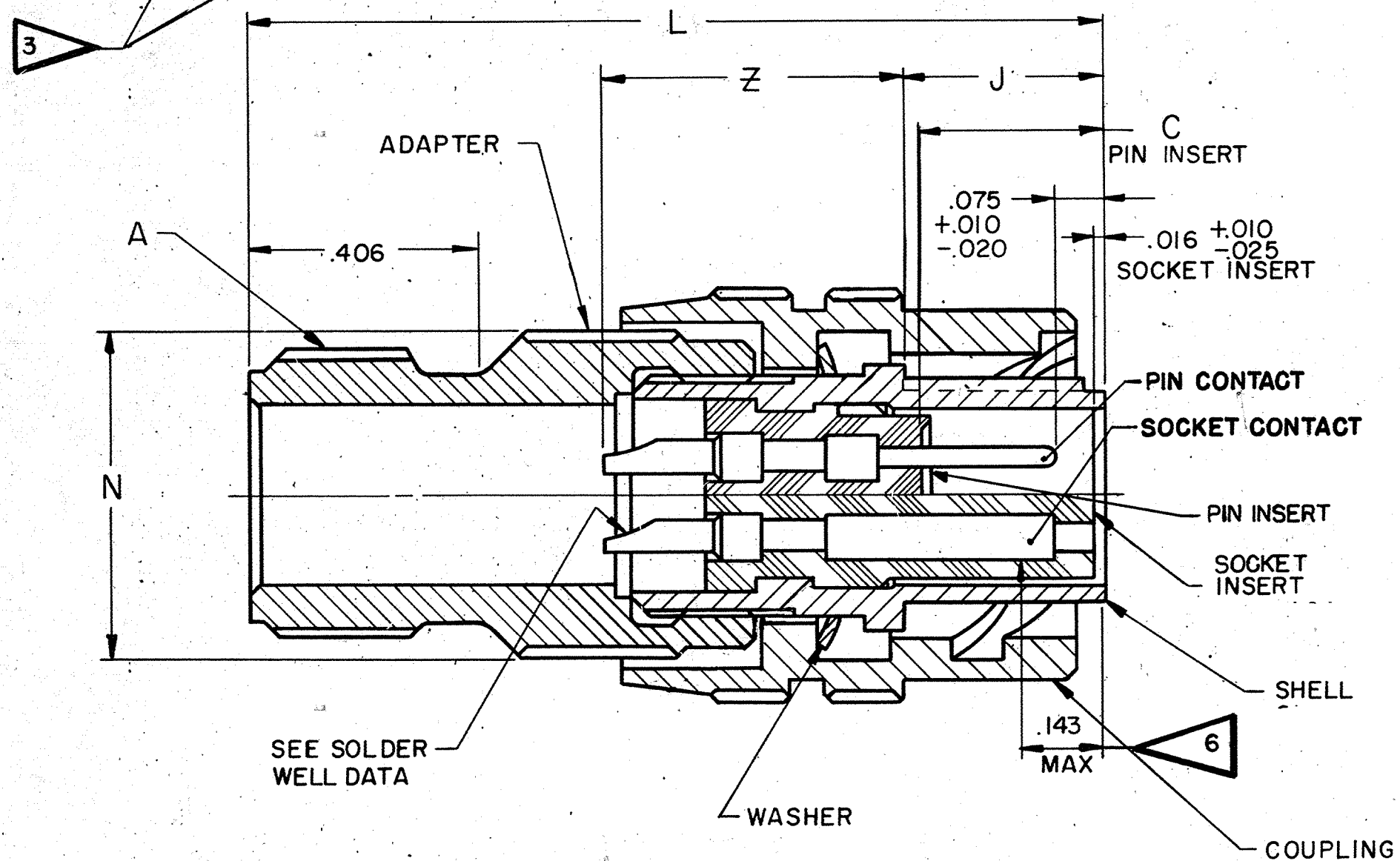
ACCESSORIES
(NOT PART OF STANDARD ASSEMBLY)

SEE DRAWING
10-150000

**THERMOCOUPLE CONTACT
DATA (WHERE APPLICABLE)**

MATERIAL	IDENTIFICATION
CHROMEL	WHITE
ALUMEL	GREEN
IRON	BLACK
CONSTANTAN	YELLOW

STAMPED PT. NO.
EXAMPLE:
PT06A-8-2P



SOLDER WELL DATA

CONTACT SIZE	20	16
WELL DIA	.046 \pm .004 -.000	.078 \pm .004 -.002
WELL DEPTH	\pm .031 -.000	.125
		.188

1. INSERTS & CONTACTS MUST NOT BE REMOVED.
2. FOR CONTACT ARRANGEMENTS, SEE DRAWINGS L-15206-() THRU L-15250-().
3. TO COMPLETE ASSY NO. & PT NO. ADD APPLICABLE INSERT ARRANGEMENT SUFFIX TO BASE NUMBERS LISTED ABOVE PER 9-2437-1.
4. FOR MATING RECEPTACLE, SEE 71-146206/50 & OTHERS.
5. UNITS ILLUSTRATED MEET THE MATERIAL & FINISH REQUIREMENTS OF MIL-C-26482.
6. DISTANCE BETWEEN END OF SHELL & THE POINT AT WHICH A GAGE PIN, HAVING THE SAME BASIC DIAMETER AS THE MATING CONTACT & A SQUARE FACE, ENGAGES SOCKET CONTACT SPRING.

NOTES: REF SYMBOL \triangleleft

PARTS LIST			NEXT ASSEMBLY	
UNLESS OTHERWISE SPECIFIED			SCINTILLA DIVISION	
LINEAR DIMENSIONS ARE IN INCHES. TOLERANCES: 3 PLACES \pm .010; 2 PLACES \pm .03; 1 PLACE \pm .1; ANGLES \pm 2°. OTHER STANDARDS PER SCINTILLA SPEC 9-3800 AND MIL-STD 8.			CORPORATION SIDNEY, NEW YORK, U.S.A.	
DRAWN: PESSAGNO DATE: 1-14-67			TITLE: CONNECTOR, ELECTRICAL PLUG, TYPE PT-A() MC, OLIVE DRAB	
CHECKED: Tealon DATE: 10-28-65			CODE IDENT NO. 77820	
MATERIAL:			SIZE C	
STANDARDS: J. Balantia 10-29-65			71-146606 THRU 71-146650	
DRAFTING: Dweet 10-29-65			SCALE NONE	
ENGINEERING: W.M. Harrison 11-1-65			REF	
DEVELOPMENT: Cuff 10-27-65			SHEET	
MATERIAL SPEC	PROCESS SPEC TEST 9-3980-2 9-2437-1			