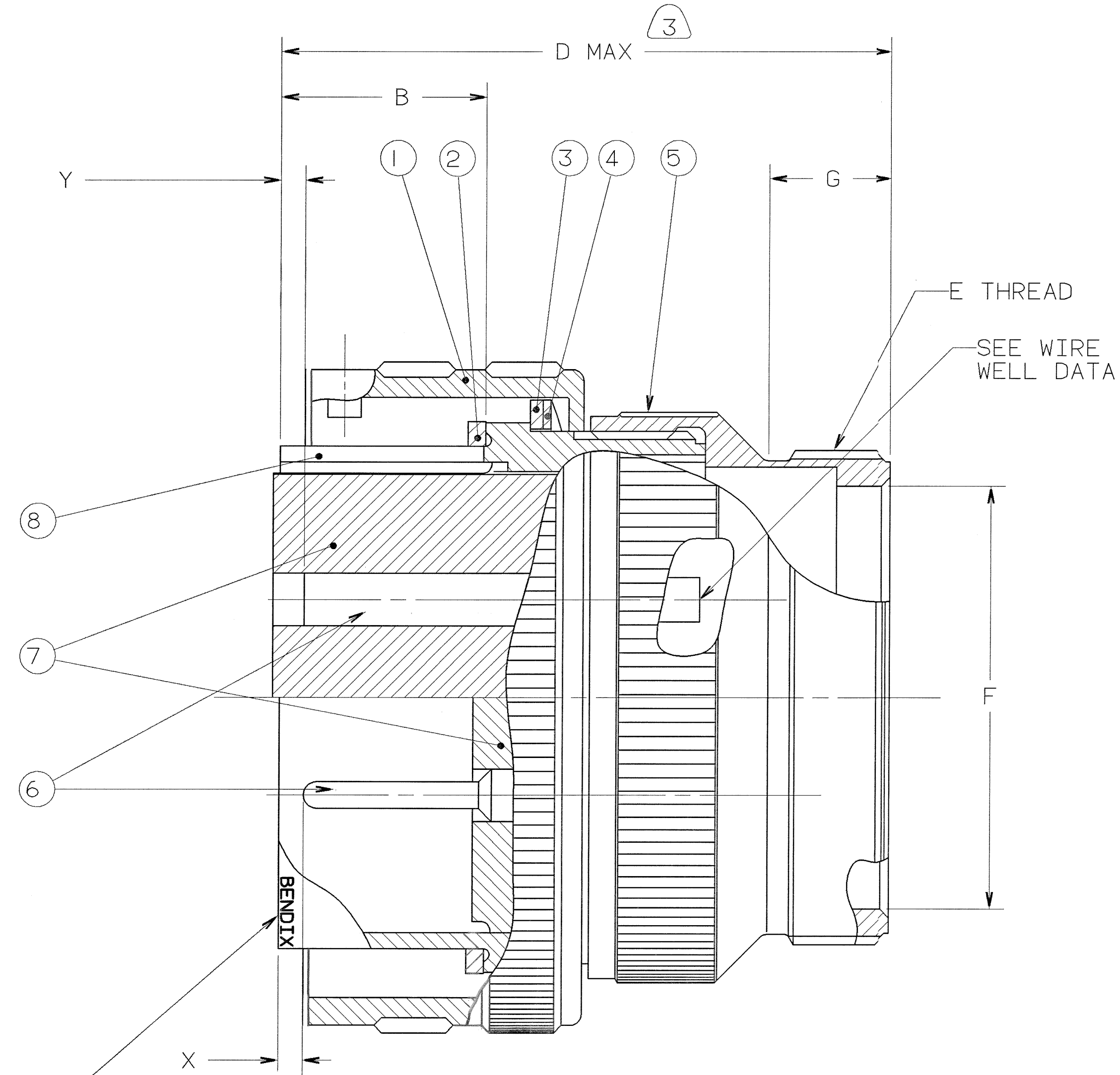
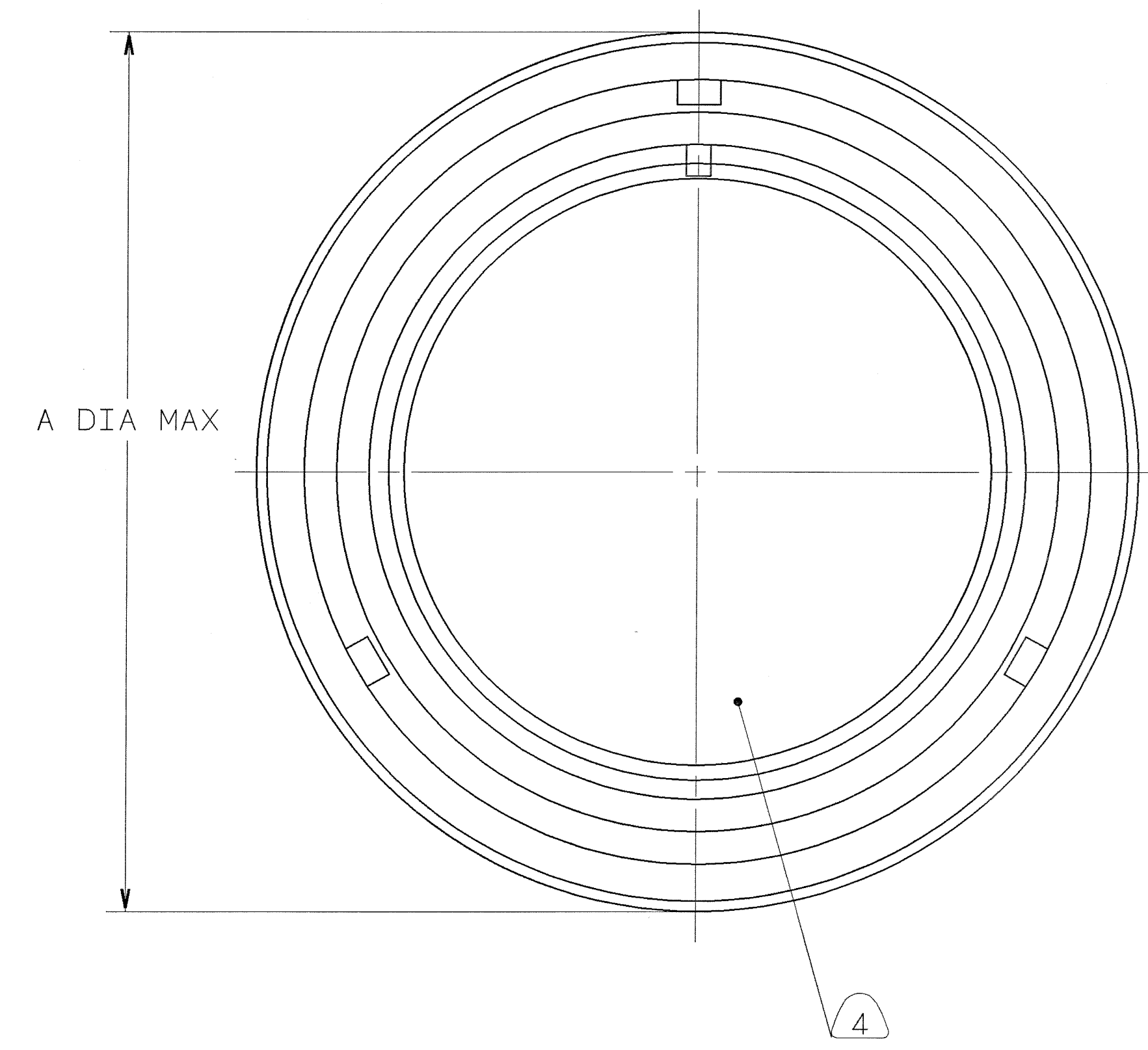


CONTACT SIZE	SHELL SIZE	X	Y ±.040
16 SHORT	10SL, 14S, 16S	.087±0.039	.079
16 LONG	16 THRU 36	.260 ⁺ .052 -.041	.102
12	16 THRU 36	.118 ⁺ .039 -.056	.102
4,8,0	16 THRU 36	.091±.039	.102



BLACK INK STAMP PER 9-3856-5 "BENDIX", GT NUMBER (SEE COLUMN) & DATE CODE (9-3895) CHARACTERS TO BE .062-094 HIGH.
EXAMPLE:
BENDIX GTC06A24-2P 8944

REVISIONS				
ZONE	LTR	DESCRIPTION	DATE	APPROVED
A		INITIAL RELEASE NUM: 70091-006		
B		(CLII) SEE ECN 27845	3-19-92	[Signature]

FIND NO.	QTY REQD.	FSCM NO.	PART NUMBER	DESCRIPTION	NOTE REF.
8	1		SEE COLUMN	SHELL	
7	1		10-748XX-XXX	INSERT	
6			SEE NOTE 9	CONTACT	
5	1		10-564867-XX3	ADAPTER	3
4	1		10-564859-XX	WAVED, WASHER	
3	1		10-564860-XX	WASHER, SKID	
2	1		10-564843-XX1	GASKET	
1	1		10-564856-XX3	COUPLING NUT	

SPECIFICATIONS		SIGNATURES		DATES		PARTS LIST	
MATERIAL SPEC.	N/A	PREPARED	MCELLIGOTT	01/04/91	AMPHENOL CORPORATION BENDIX CONNECTOR OPERATIONS SIDNEY, N.Y.		
CHECKED	[Signature]	1-17-91	CONNECTOR, ELECTRICAL, PLUG, REVERSE BAYONET COUPLING, TYPE GTC06A()-(), SOLDERLESS				
APPROVED	[Signature]	1-17-91	U				
APPROVED	[Signature]	1-17-91	REV B				
1ST PART NO	71-581222-02P	SCALE	NONE	SIZE	FSCM NO.	71-581220/239	
NEXT ASSEMBLY			71-581220/239		71-580450/469		SHEET 1 OF 2

SEE SHEET 2.
NOTES:

THE USE OF THIS DOCUMENT IS UNLIMITED. HOWEVER, DOCUMENTS REFERENCED HEREON MAY CONTAIN LIMITED RIGHTS DATA.

UNLESS OTHERWISE SPECIFIED
LINEAR DIMENSIONS ARE IN INCHES.
TOLERANCES: .XXX±.010.
.XX ±.03. .X ±.1, ANGLES ±2°.
OTHER STANDARDS PER 9-3800
AND DOD-D-1000. NOTE REF= (XX)

N/A
N/A
NEXT ASSEMBLY

COMPUTER GENERATED DRAWING

00000001 01653

TAB.

ASSEMBLY NUMBER	SHELL SIZE	GT NUMBER	SHELL	A DIA MAX	B ±.005	D MAX	E THREAD -2A	F DIA MIN	G MIN
71-581220-()	8S	NOT AVAILABLE							
71-581221-()	10S	NOT AVAILABLE							
71-581222-()	10SL	GTC06A10SL-()	10-580915-113	.897	.531	1.969	.6250-24 UNEF	.409	.374
71-581223-()	12S	NOT AVAILABLE							
71-581224-()	12	NOT AVAILABLE							
71-581225-()	14S	GTC06A14S-()	10-37266-14	1.150	.531	1.969	.7500-20 UNEF	.520	.374
71-581226-()	14	NOT AVAILABLE							
71-581227-()	16S	GTC06A16S-()	10-37266-16	1.300	.531	1.969	.8750-20 UNEF	.638	.374
71-581228-()	16	GTC06A16-()	10-37266-17	1.300	.719	2.362	.8750-20 UNEF	.638	.374
71-581229-()	18	GTC06A18-()	10-37266-18	1.437		2.362	1.0000-20 UNEF	.756	.374
71-581230-()	20	GTC06A20-()	10-37266-20	1.571		2.362	1.1875-18 UNEF	.866	.374
71-581231-()	22	GTC06A22-()	10-37266-22	1.697		2.362	1.1875-18 UNEF	.965	.374
71-581232-()	24	GTC06A24-()	10-37266-24	1.835		2.560	1.4375-18 UNEF	1.094	.374
71-581233-()	28	GTC06A28-()	10-37266-28	2.102		2.560	1.4375-18 UNEF	1.228	.374
71-581234-()	32	GTC06A32-()	10-37266-32	2.366		2.560	1.7500-18 UNS	1.488	.433
71-581235-()	36	GTC06A36-()	10-37266-36	2.610		3.150	2.0000-18 UNS	1.780	.465
71-581236-()	40	GTC06A40-()	10-37266-40	2.850		3.150	2.2500-16 UN	2.016	.465
71-581237/239		NOT AVAILABLE							

TO COMPLETE, ADD APPLICABLE INSERT ARRANGEMENT SUFFIX PER 9-2437

WIRE WELL DATA					
CONTACT SIZE	0	4	8	12	16
WELL DIA	.453±.005	.281 +.005 -.004	.179 +.004 -.002	.098 +.004 -.001	.063 +.004 -.001
WELL DEPTH +.031 -.000	.750	.500	.500	.250	.250

7. FOR MATING CONNECTOR ASSEMBLIES, SEE 71-580960/979 & OTHERS.
6. SEE WORK ORDER FOR PERMISSIBLE ADDITIONAL OR ALTERNATE STAMPING.
5. PROCESS SPEC:
ASSY 9-9238
TEST 9-3106-18
9-3856-5, 9-3895, 9-2437
4. INSERTS ARE NOT REMOVABLE.
3. DRAWING ILLUSTRATES FINAL ASSEMBLY. FOR STORAGE & SHIPPING, ADAPTER MUST BE LOOSELY COUPLED. CONTACTS ARE SHIPPED UNASSEMBLED.
2. FOR CONTACT SIZE, SPACING & SERVICE RATING, SEE MIL-STD-1651 OR L-11908-()/L-11948-().
1. UNITS MEET THE APPLICABLE REQUIREMENTS OF MIL-C-5015.
10. PACKAGE PER PRODUCTION PROCESS SHEET.
9. SEE SEPARATE PARTS LIST FOR COMPONENT PART NUMBERS AND QUANTITIES.
8. FOR FINAL INSTALLATION, CONTACTS MUST BE ASSEMBLED INTO ALL INSERT HOLES.

NOTES:

THE USE OF THIS DOCUMENT IS UNLIMITED. HOWEVER, DOCUMENTS REFERENCED HEREON MAY CONTAIN LIMITED RIGHTS DATA.

SIZE	FSCM NO.	REV.
D	77820	B
SCALE	WT.	REF.
		SHEET 2

COMPUTER GENERATED DRAWING

71-581220/239B