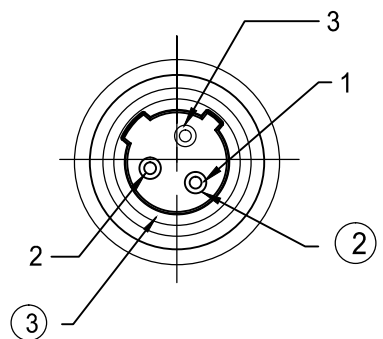
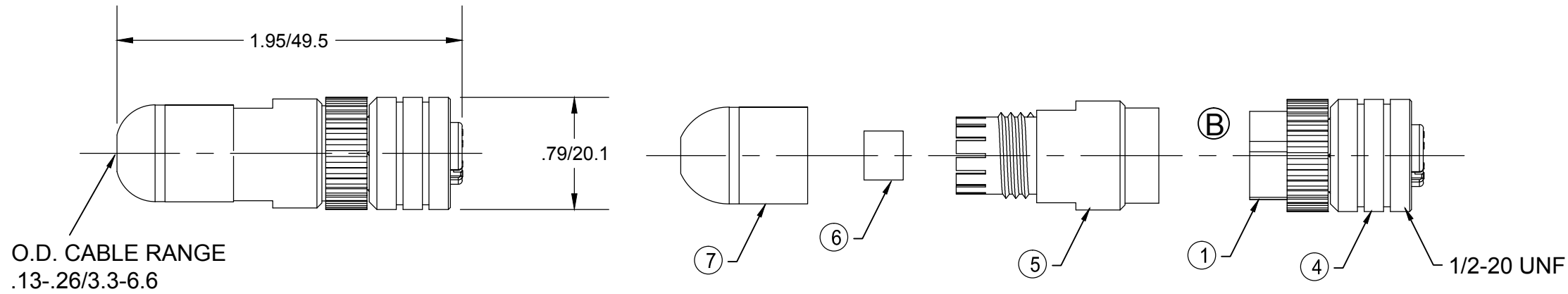
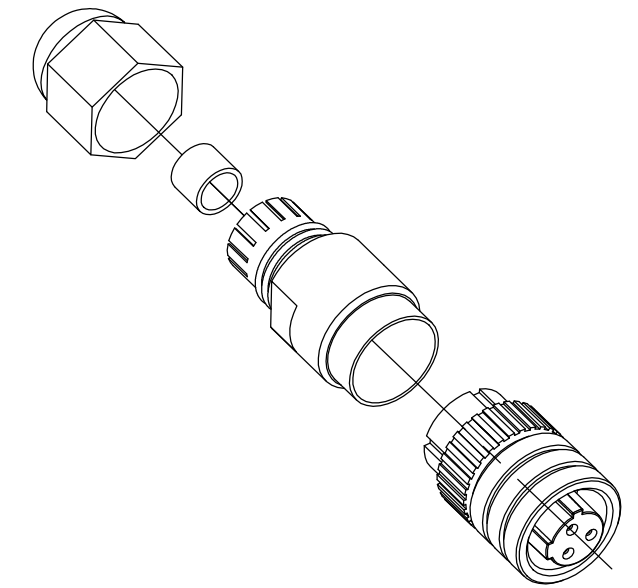
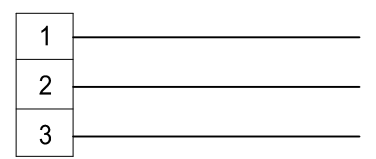


MATERIAL NUMBER	OLD PART NUMBER
120075-0014	7A3000-31



FEMALE FACE VIEW



WIRING DIAGRAM

VOLTAGE RATING	250VAC/ 300VDC
AMPERAGE RATING	4 AMPS
PROTECTION	IP67
OPERATING TEMPERATURE	-25°C TO 90°C

ITEM	COMPONENT	MATERIAL	FINISH
1	INSERT	NYLON	BLACK
2	CONTACTS	COPPER ALLOY	SILVER PLATED
3	O-RING	NITRILE	RED
4	COUPLING NUT	BRASS	NICKEL PLATED
5	MOLDED BODY	NYLON	BLACK
6	GROMMET	NITRILE	BLACK
7	CORD GRIP BODY	NYLON	BLACK

REMOVE TAIL ON INSERT
 EC NO: IPG2013-1767
 DRWN: RSTONE 2013/05/16
 CHKD: BW
 APPR: BWOODMAN

QUALITY SYMBOLS	DESCRIPTION
▽=0	
▽C=0	

GENERAL TOLERANCES (UNLESS SPECIFIED)	
	INCH
4 PLACES	±---
3 PLACES	±---
2 PLACES	±---
1 PLACE	±0.3
ANGULAR ±---°	
DRAFT WHERE APPLICABLE MUST REMAIN WITHIN DIMENSIONS	

DIMENSION STYLE	
INCH	
DRAWN BY	DATE
RSTONE	2013/05/16
CHECKED BY	DATE
BW	2013/05/16
APPROVED BY	DATE
---	---
MATERIAL NO.	DOCUMENT NO.
SEE CHART	SD-120075-001
SIZE B	THIS DRAWING CONTAINS INFORMATION THAT IS PROPRIETARY TO MOLEX INCORPORATED AND SHOULD NOT BE USED WITHOUT WRITTEN PERMISSION

SCALE	DESIGN UNITS	THIRD ANGLE PROJECTION
---	INCH	☉
TITLE		
DUAL KEYWAY 3P FEMALE ATTACHABLE		
MOLEX INCORPORATED		
SHEET NO.		1 OF 1