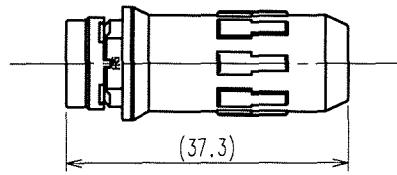
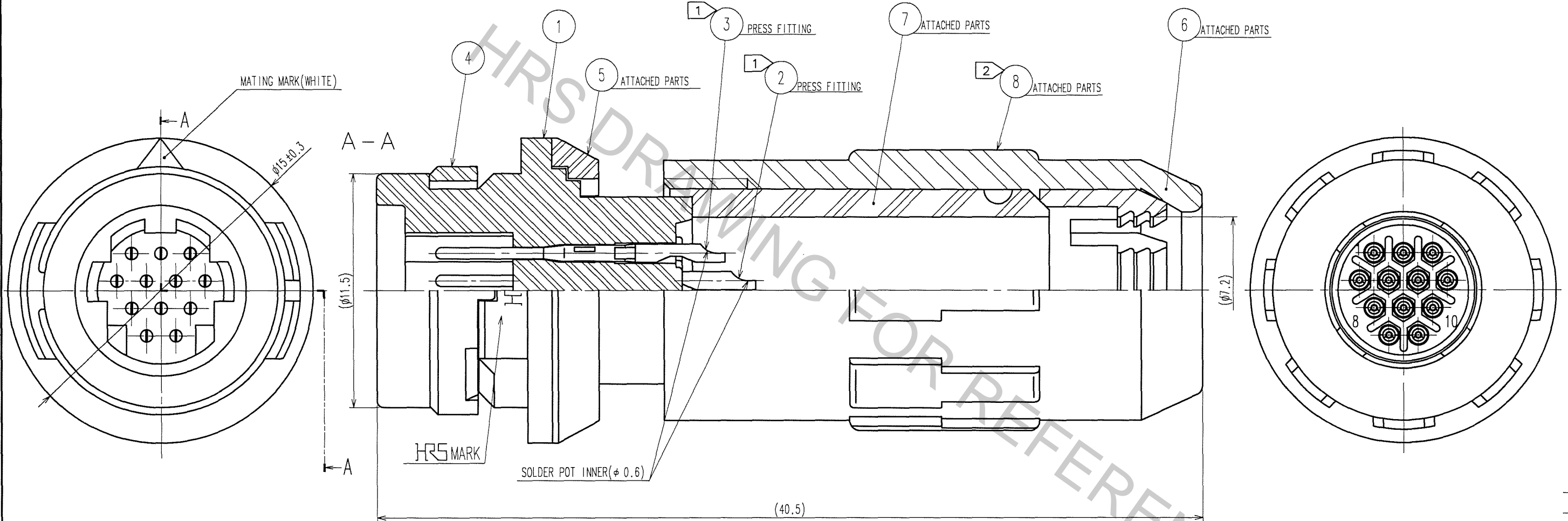


LIFE SIZE(1:1)



COUNT	DESCRIPTION OF REVISIONS	BY	CHKD	DATE	COUNT	DESCRIPTION OF REVISIONS	BY	CHKD	DATE
1	DIS-C-000490	T.H	E,K	07.01.31					



- NOTES
- 1 PLATING(REF.NO.②③)
CONTACT AREA : GOLD PLATING 0.2μ m min.
LEAD AREA : GOLD PLATING FLASH.
UNDER PLATING : NICKEL PLATING 2μ m min.
 - 2 RECOMMENDED TIGHTENING TORQUE OF REF.NO.④ : 0.5 N·m
APPLY THREAD LOCKER TO PREVENT THE POSSIBILITY OF LOOSING WATERPROOF EFFECTIVENESS WHEN THREADED POSITION IS LOOSEN.
RECOMMENDED THREAD LOCKER : LOCTITE 271, LOCKPRIMER 7649, HENKEL JAPAN LTD.
 - 3 APPLICABLE JIGS
SOLDER TERMINATION FIXTURE : HR30-7J-12PC-T01(CL150-0230-5)
TIGHTENING COLLAR FOR BACK SHELL(REF.NO.⑤) : HR30-8P-T02(CL150-0224-2)
 - 4 THE CABLE PULL AND TWISTING STRENGTH AND OTHER CHARACTERISTICS MAY DIFFER, DEPENDING ON THE CABLE STRUCTURE.
PLEASE CONFIRM BEFORE THE USE.

4	PPS	(BLACK)	UL94V-0	8	PPS	(BLACK)	UL94V-0
3	COPPER ALLOY	1		7	CR	(BLACK)	
2	COPPER ALLOY	1		6	POLYACETAL	(NATURAL)	
1	PPS	(BLACK)	UL94V-0	5	PBT	(BLACK)	UL94V-0
NO.	MATERIAL	FINISH, REMARKS		NO.	MATERIAL	FINISH, REMARKS	

CODE NO. (OLD) CL	DRAWN E.KUNII '05.10.14	DESIGNED E.KUNII '05.10.14	CHECKED .	APPROVED M.SATO '05.10.17	RELEASED .
----------------------	-------------------------------	----------------------------------	--------------	---------------------------------	---------------

SCALE 5 : 1 UNITS mm	DRAWING NO. EDC3-113842-71 HRS HIROSE ELECTRIC CO., LTD	PART NO. HR30-7J-12P(71) CODE NO. CL130-2020-9-71	1/1
-------------------------------	--	--	-----

TO
R