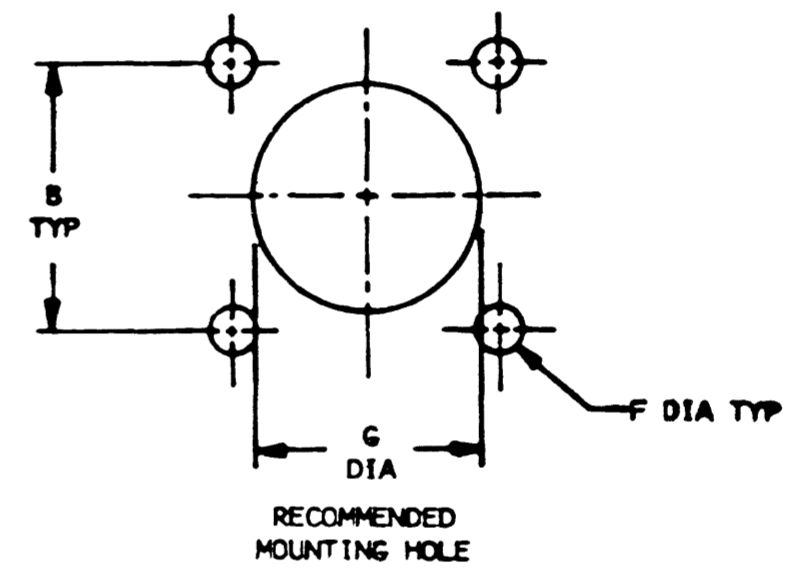
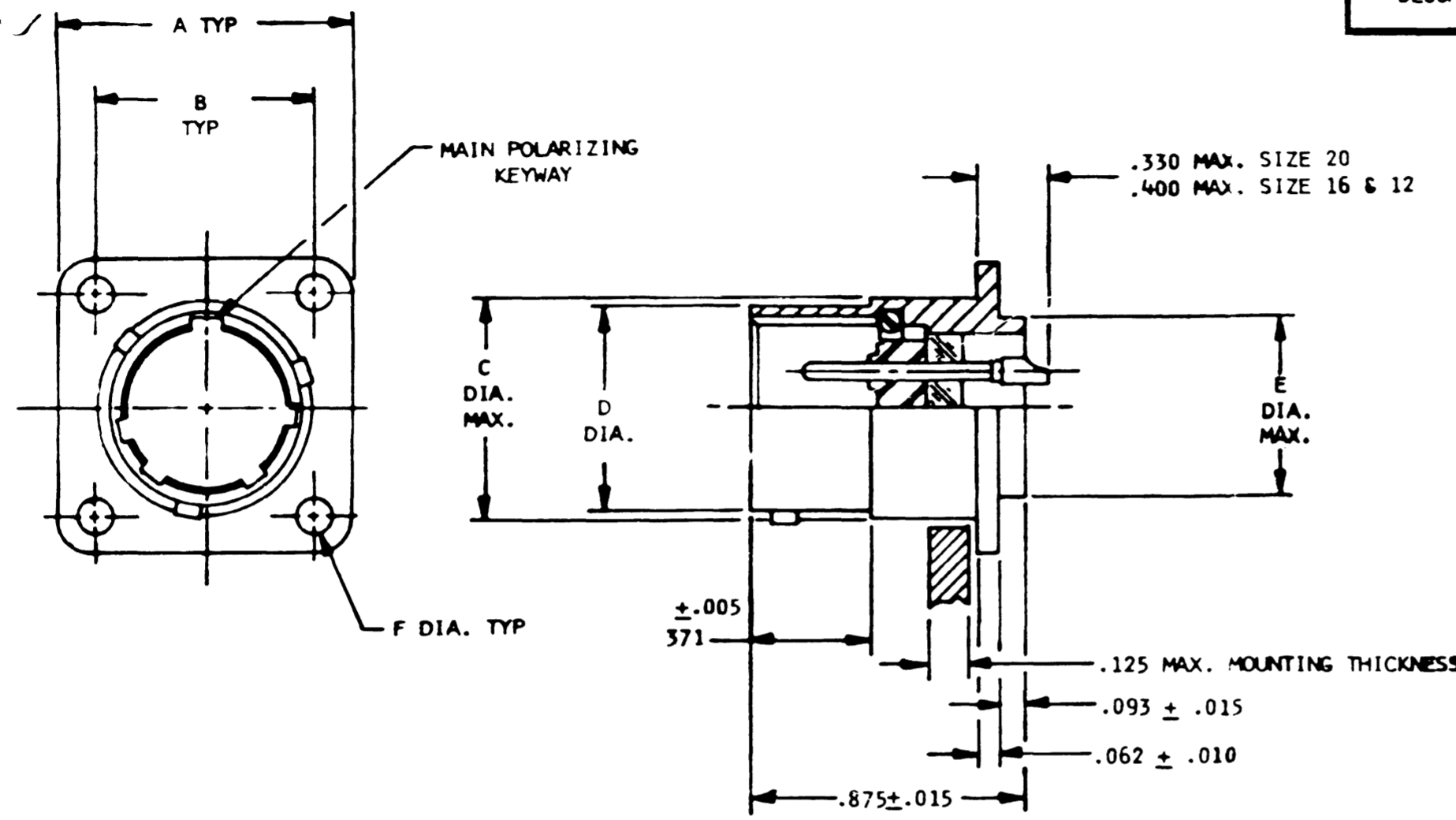


DL60H-X-XPX		REVISIONS		
SYM	DESCRIPTION	DATE	APPROVED	
3	REVISED PER E.O. 91516	3-9-83	<i>T. [Signature]</i>	



PART NO.	A \pm .005	B \pm .005	C	D $\begin{smallmatrix} +.000 \\ -.005 \end{smallmatrix}$	E	F $\begin{smallmatrix} +.000 \\ -.009 \end{smallmatrix}$	G $\begin{smallmatrix} +.010 \\ -.000 \end{smallmatrix}$ FOR C	G $\begin{smallmatrix} +.010 \\ -.000 \end{smallmatrix}$ FOR E	APPROX. WT. IN LBS.
DL60H-8-XPX	.812	.594	.561	.536	.500	.125	.620	.505	
DL60H-10-XPX	.937	.719	.696	.659	.562	.125	.748	.572	
DL60H-12-XPX	1.031	.812	.875	.829	.750	.125	.913	.760	
DL60H-14-XPX	1.125	.906	.935	.898	.812	.125	.980	.822	
DL60H-16-XPX	1.250	.969	1.062	1.025	.937	.125	1.107	.948	
DL60H-18-XPX	1.343	1.062	1.187	1.131	1.062	.125	1.209	1.072	
DL60H-20-XPX	1.437	1.156	1.312	1.256	1.187	.125	1.337	1.192	
DL60H-22-XPX	1.562	1.250	1.437	1.381	1.312	.125	1.452	1.322	
DL60H-24-XPX	1.703	1.375	1.554	1.504	1.437	.154	1.577	1.442	

3. MATERIAL:
SHELL - MILD STEEL
CONTACTS - HIGH NICKEL - IRON ALLOY
INSERT, PIN FRONT - ELASTOMER
INSERT, HERMETIC - COMPRESSION GLASS
"O" RING - SILICONE BASE ELASTOMER
2. FINISH:
SHELL - TIN OVER NICKEL
CONTACTS - GOLD PLATED
1. FOR AVAILABLE CONTACT ARRANGEMENTS AND ALTERNATE CLOCKING POSITIONS, SEE PAGE 94500 IN DL SECTION OF CATALOG.

NOTE:

DR	<i>MARTIN 3-10-69</i>	RECEPTACLE, CONNECTOR, HERMETIC, TRI-KAM COUPLING, SQUARE FLANGE MOUNTING MIL-C-83723 TYPE (ENVELOPE)	CP	The Deutsch Company ELECTRONIC COMPONENTS DIVISION Municipal Airport Banning, California
CHK	<i>F. [Signature] 3-11-69</i>		B	DL60H-X-XPX
PE	<i>T. [Signature]</i>			2WG SIZE
APPD	<i>F. [Signature] 3/10/83</i>		SHEET 1 OF 1	
SCALE	NONE		WT	