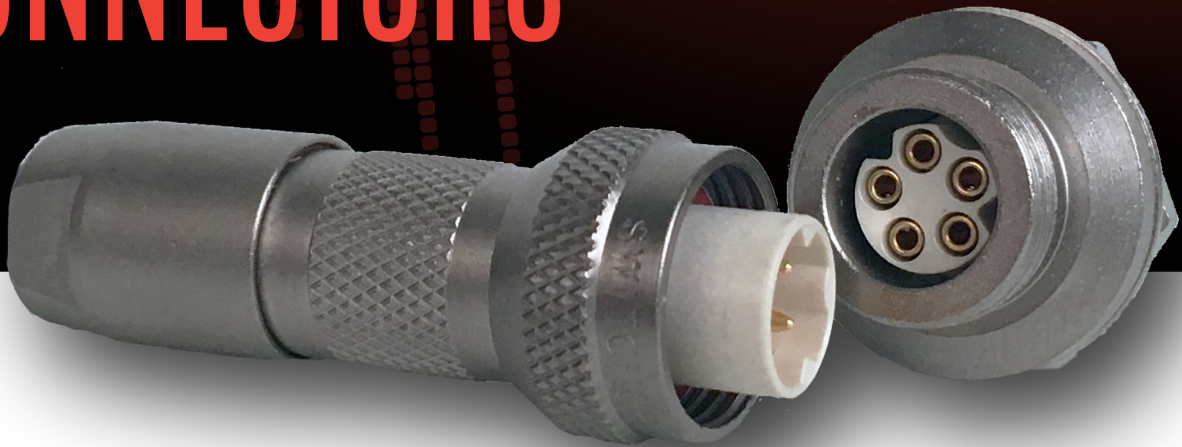


TS SERIES
DURA-TWIST™
THREADED LOCKING
CONNECTORS



Switchcraft®
CONXALL®

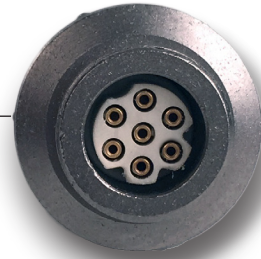
HARSH ENVIRONMENT CONNECTIVITY SOLUTIONS

Durable nickel plated brass housing is sealed to IP68



Threaded locking mechanism for a secure and easy connection

Available with up to 9 contacts



Rear or front mounting options available on panel mounts



Cable to cable in-line connector also available

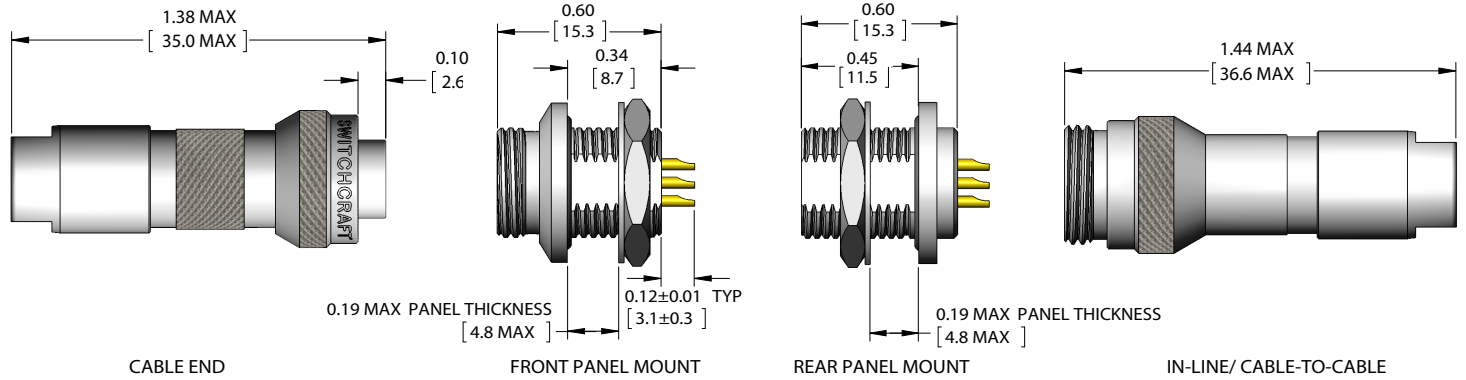
FEATURES

- Easy, blind mating
- Compact, 1/2" connector size
- Waterproof to IP68
- Can withstand the temperature and pressure of autoclave sterilization
- 360 ° EMI Shielding
- Available with #20 contacts or #26 contacts
- Rear mount or front mount panels available
- Contacts can be soldered or crimped (shipped unassembled, assembly tools available)
- Factory molded cables available with straight or right angle cable end options

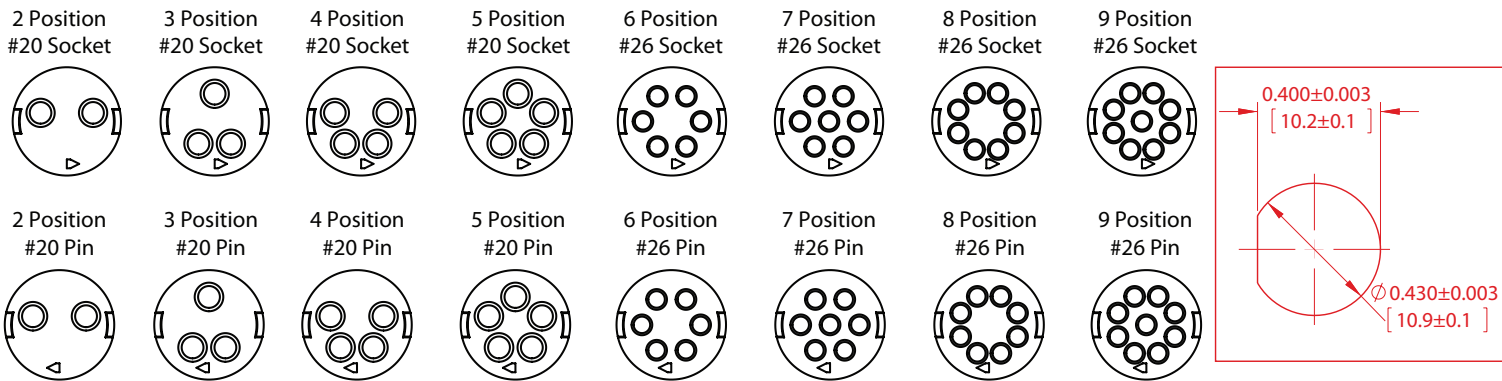
APPLICATIONS

- Medical devices
- Audio connections
- Outdoor data acquisition devices
- Test and Measurement
- Agriculture electronics
- Safety and Security
- Harsh environments
- General electronic applications

OVERALL DIMENSIONS



CONTACT LAYOUTS (REAR/WRING SIDE) / RECOMMENDED PANEL CUTOUT



ORDERING CODE

TS2 | X | X | X | XX | X | - | X

TS2 Series

Connector Type:

- C - Cable-End
- P - Panel Mount
- L - Cable-to-Cable

of contacts:

- 2-5 for #20
- 6-9 for #26

Gender:

- M - Male (Pin)
- F - Female (Socket)

Options:

- B - Rear Mount (panel only)
- K - Kit Packaging (one unit/bag)
- A - Factory Installed Contacts
- [BLANK] - Bulk Packaging

Clamp Set per Cable O.D. Range
for Cable-End and Cable-to-Cable only:

- A - 0.110 - 0.140 [2.8 - 3.6]
- B - 0.140 - 0.180 [3.6 - 4.6]
- C - 0.180 - 0.216 [4.6 - 5.5]

Contact Size:

- 20 - 20, 22, 24, 26 AWG wires
- 26 - 26, 28, 30 AWG wires

Sealing Caps (Optional)

Cable End: **TS2CCAP**

Panel: **TS2PCAP**

Cable to Cable: **TS2LCAP**

SPECIFICATIONS

MECHANICAL:

| | |
|------------------------|---|
| Mating / Locking Type: | Threaded coupling |
| Life: | 5,000 cycles minimum |
| Operating Forces: | 10 lb. [44.5 N] max. insertion/withdrawal |
| Vibration: | Mil-Std 202G Method 201A |
| Panel Hex Nut Torque: | 40 in-lb [4.5 Nm] maximum |
| Cable Securing System: | Threaded on metal clamp |

ELECTRICAL:

| | |
|------------------------|--|
| Voltage Rating: | 125 V AC/DC for 2-5 contacts 30 V AC/DC for 6-9 contacts |
| Current Rating: | 10A max for 2 position 2A max for 9 position Refer to website for detailed information |
| Insulation Resistance: | 1000 MΩ minimum |
| Contact Resistance: | 10 mΩ typical |

ENVIRONMENTAL:

| | |
|------------------------|--|
| Temperature Limits: | -40°C to +135°C (-40°F to +275°F) |
| Operating Temperature: | Refer to website for detailed information |
| Moisture Resistance: | Mil-Std 202G Method 106G |
| Insulation Resistance: | Mil-Std 202G Method 302 |
| Thermal Shock: | Mil-Std 202G Method 107G |
| Salt Atmosphere : | Mil-Std 202G Method 101E |
| Ingress Protection : | IP66, IP67, IP68 per IEC60529, NEMA 250 6P |

MATERIAL:

| | |
|----------------------------|--|
| Outer Shell: | Copper alloy, electroless nickel plated |
| Hardware: | Copper alloy, nickel plated |
| Interior Metal Components: | Copper alloy, nickel plated |
| Electrical Insulator: | LCP, natural |
| Seal O-rings: | Thermoplastic elastomer |
| Contacts: | Copper Alloy, gold plated, with stainless steel locking clip |