

Aug.1.2018 Copyright 2018 HIROSE ELECTRIC CO., LTD. All Rights Reserved.
 In case that the application demands a high level of reliability, such as automotive,
 please contact a company representative for further information.

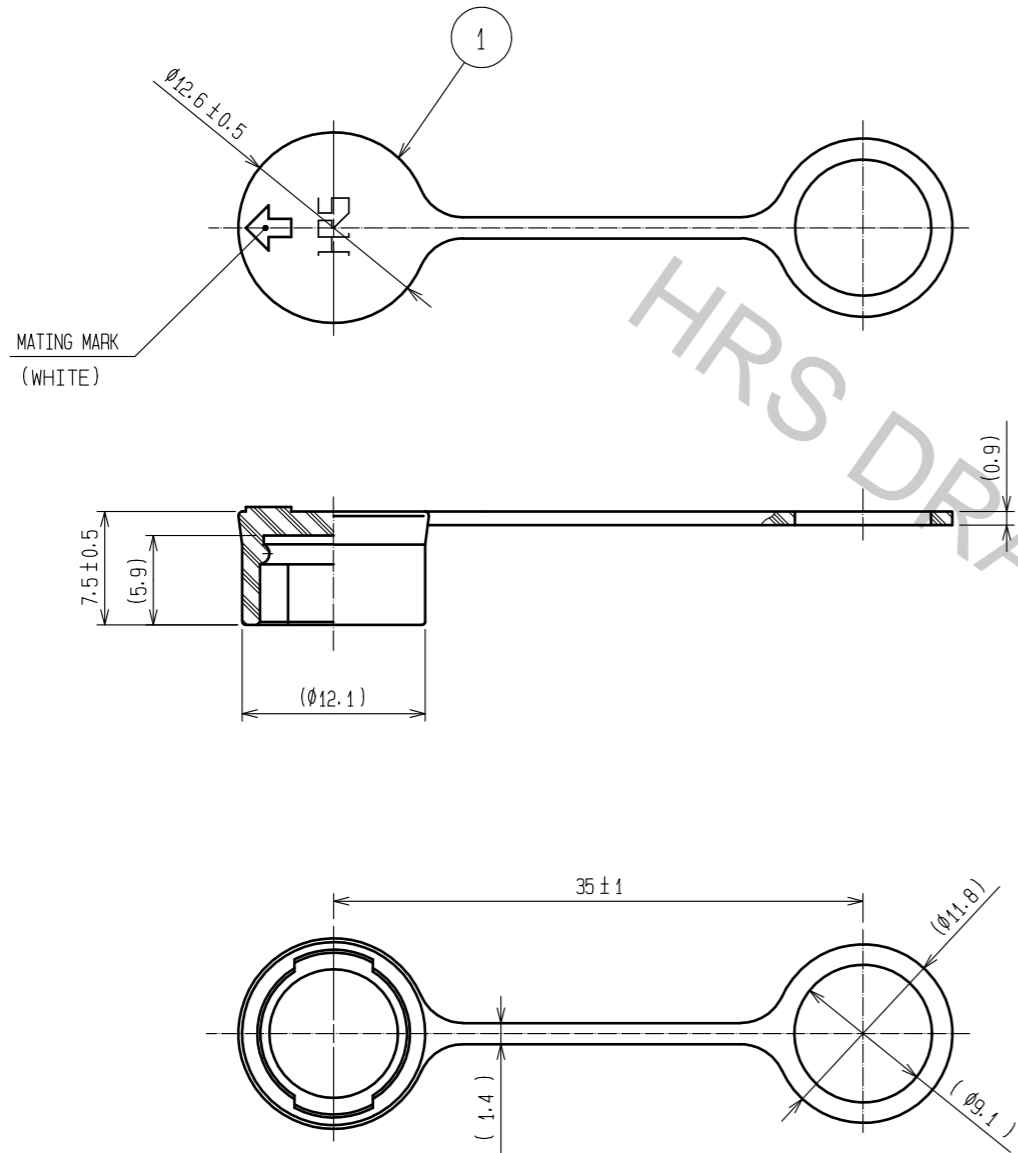
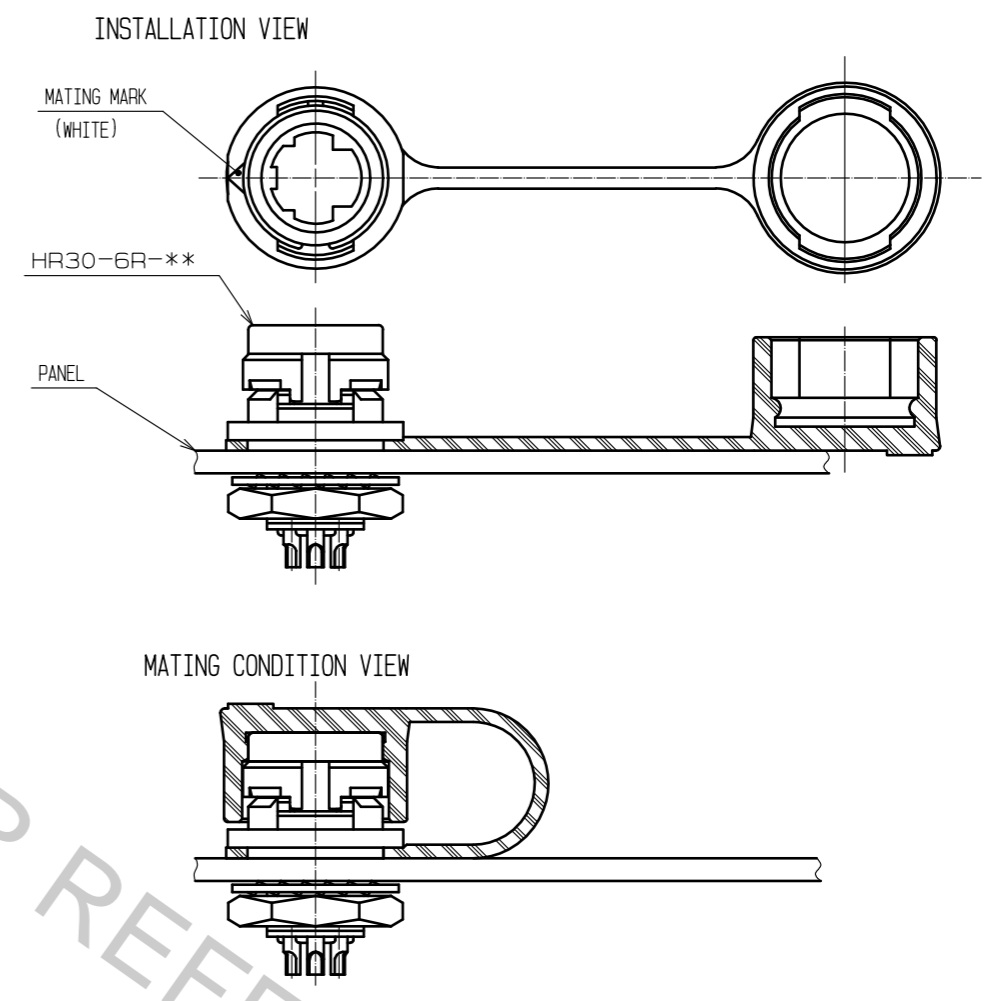


DIAGRAM AFTER ASSEMBLING



NOTES 1 THIS PART TO BE USED AS ASSEMBLED COMPONENT IN THE DIAGRAMAFTER ASSEMBLING.
 2 THIS PRODUCT IS A CAP FOR HR30-6R-*(※).
 IT IS APPLICABLE REGARDLESS OF GIVEN ALPHABETS OR NUMBERS SHOWN AT ※.

1	CHLOROPRENE RUBBER	BLACK					
NO.	MATERIAL	FINISH . REMARKS	NO.	MATERIAL	FINISH . REMARKS		
UNITS mm		SCALE 2 : 1		DESCRIPTION OF REVISIONS		DESIGNED	CHECKED
HRS	HIROSE ELECTRIC CO., LTD.	APPROVED : HY. KOBAYASHI	18. 02. 26	DRAWING NO.		EDC-112274-31-00	
		CHECKED : HY. KOBAYASHI	18. 02. 26	PART NO.		HR30-6R-C(31)	
		DESIGNED : DS. MATSUNE	18. 02. 24	CODE NO.		CL130-3001-0-31	
		DRAWN : AI. NISHIYAMA	18. 02. 16				