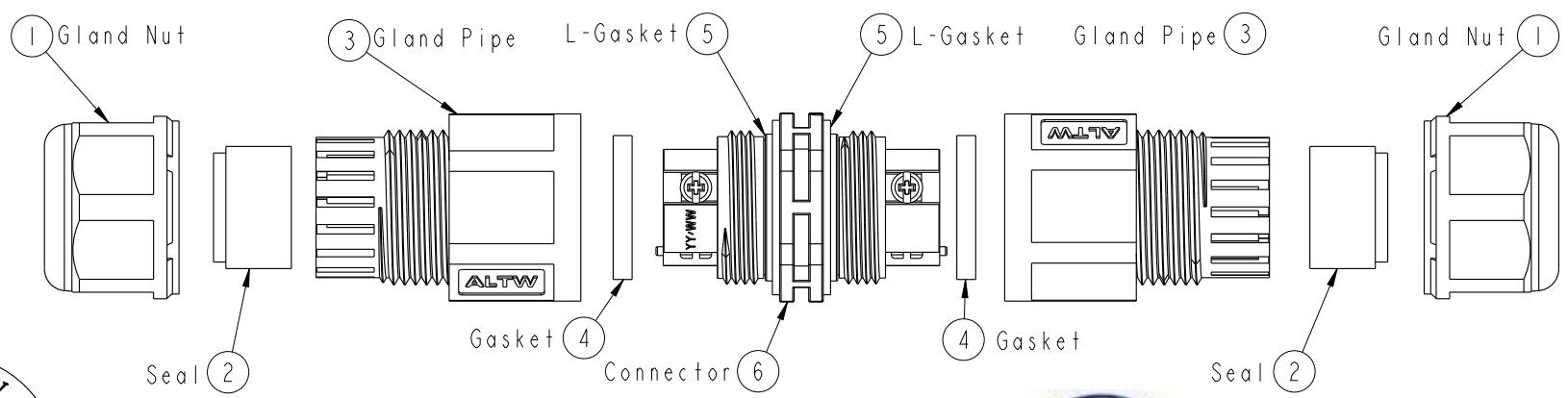


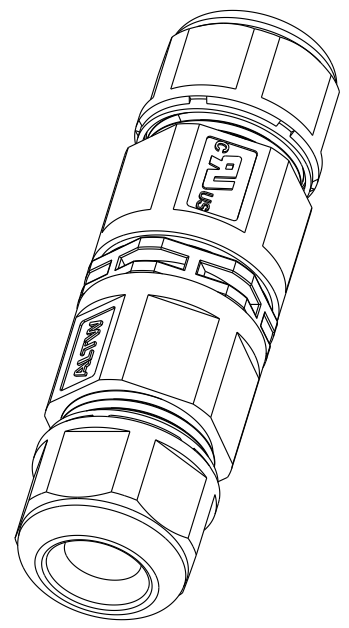
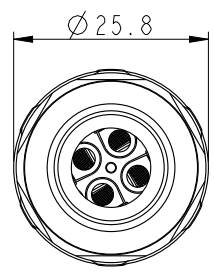
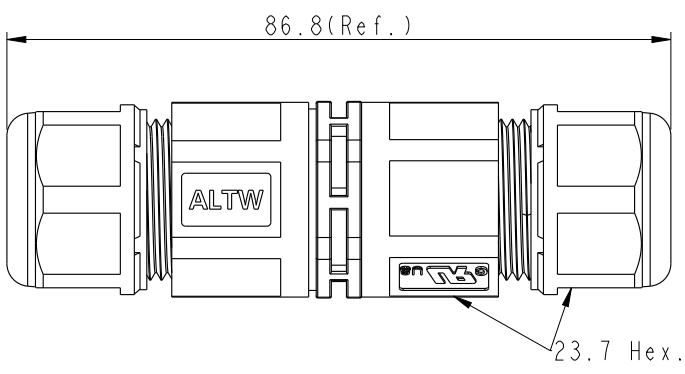
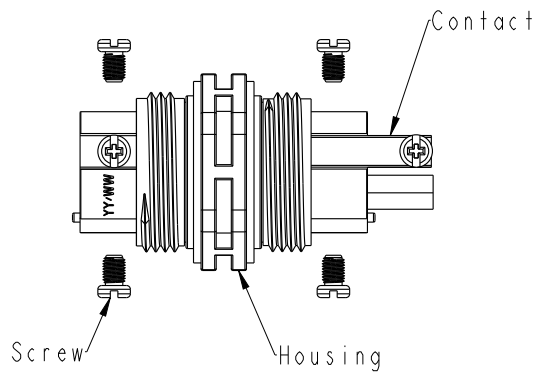
REV.	ECN NO.	DATE	SIGN	DESCRIPTION
A	Initial Release	2017/07/27	Lingpeng	New Item.
B	LEN17A0069~80	2017-10-12	Lingpeng	Add The Label And Change The Title



ALTW
CONFIDENTIAL
 2017-10-12
 R&D DEPT.

ALTW
 DCC. DEPT.
 CONFIDENTIAL
 2017.10.25
 ISSUED

⑥ Connector



UNIT: mm		
TOLERANCE	.X	±0.25
	.XX	±0.1
	.XXX	±0.05
ANGLES		±1°

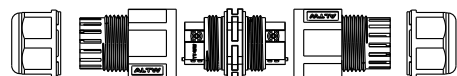
TITLE			
UL11 Cable Joiner Screw-in Type			
SCALE	SIZE	SHEET	OF
1:1	A4	1	2
REV.	WC-REV.	◎: Inspection item	
B	A.2		

Amphenol LTW
 安費諾亮泰企業股份有限公司

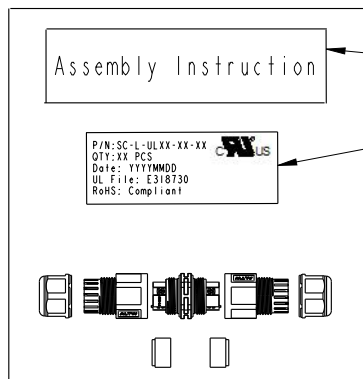
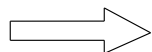
ITEM NO.	DRAWN BY	DATE
	Lingpeng	2017-10-12
DWG NO.	CHECKED BY	DATE
SC-L-UL11-XX-XX	MaFei	2017-10-12
CUSTOMER	APPROVED BY	DATE
ALTW	Jerry	2017-10-12

THIS DOCUMENT IS SUBJECT TO CHANGE WITHOUT NOTICE. IT IS CONFIDENTIAL AND A PROPERTY OF AMPHENOL LTW. DISCLOSURE TO THIRD PARTY HAS TO BE AUTHORIZED BY AMPHENOL LTW.

THIS DOCUMENT IS SUBJECT TO CHANGE WITHOUT NOTICE. IT IS CONFIDENTIAL AND A PROPERTY OF Amphenol LTW. DISCLOSURE TO THIRD PARTY HAS TO BE AUTHORIZED BY Amphenol LTW.



QTY: 1PCS



Assembly Instruction

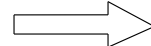
P/N: SC-L-ULXX-XX-XX
 QTY: XX PCS
 Date: YYYYMMDD
 UL File: E318730
 RoHS: Compliant



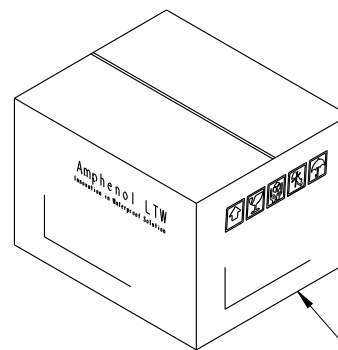
8 Instruction

10 Label

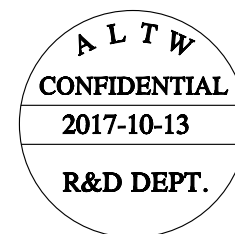
QTY: 120PCS



7 PE Bag



9 Carton



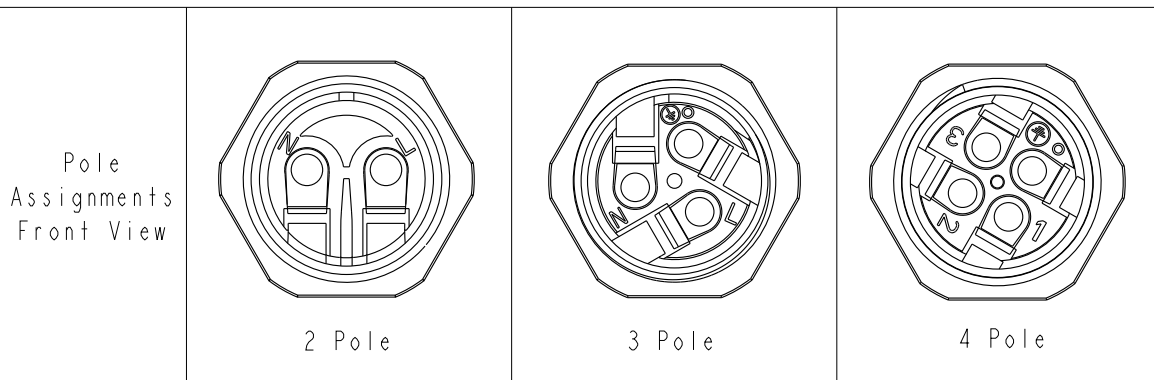
Both A Unassembled product And An Instruction Are In A PE Bag.
 (將一套未組裝的產品和說明書, 放置於一個PE袋, 並封口)

SC-L-UL11-XX-XX
 L: Cable Joiner
 Type: UL11

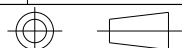
Seal's Color: BL-Blue(藍色) For Cable Range: $\varnothing 4.5\sim\varnothing 6.5\text{mm}$
 YW-Yellow(黃色) For Cable Range: $\varnothing 6.5\sim\varnothing 8.5\text{mm}$
 GN-Green(綠色) For Cable Range: $\varnothing 8.5\sim\varnothing 10.5\text{mm}$
 RD-Red(紅色) For Cable Range: $\varnothing 10.5\sim\varnothing 12.5\text{mm}$
 No. of Conductor: 02-2Poles
 03-3Poles
 04-4Poles

Note:

- * \varnothing Important Dimension To Check.
- * Waterproof Rate: IP68 (50M,24H)
- * Housing: PA66+GF, Black.
- * Gland Nut: PA66, Black.
- * Gland Pipe: PA66, Black.
- * Contact: Brass, Nickel Plated
- * Gasket & L-Gasket : Silicone, Yellow.
- * Seal: Silicone, Blue & Yellow & Green & Red.
- * Rated Voltage: 2~4 Pole 600V AC
- * Rated Current: 2~4 Pole Max. 20A
- * Operating Temperature: $-40^{\circ}\sim+105^{\circ}$.
- * Gland Pipe Recommended Tightening Torque: 8~10 Kgf.cm(0.78~0.98 N.m)
- * Gland Nut Recommended Tightening Torque: 8~10 Kgf.cm(0.78~0.98 N.m)
- * Seal For Cable OD: $\varnothing 4.5\sim\varnothing 6.5\text{mm}$, Blue.
 $\varnothing 6.5\sim\varnothing 8.5\text{mm}$, Yellow.
 $\varnothing 8.5\sim\varnothing 10.5\text{mm}$, Green.
 $\varnothing 10.5\sim\varnothing 12.5\text{mm}$, Red.
- * Screws for Wire connection recommended tightening torque: 2.00~4.50kgf.cm / 0.196~0.44 N.m
- * Applicable Wire gauge: 18AWG ~ 12AWG
- * UL2238 Certification



UNIT:mm



TITLE \triangle UL11 Cable Joiner Screw-in Type			
SCALE 1:1	SIZE A4	SHEET 2 OF 2	
REV. B	WC-REV. A.2	\varnothing : Inspection item	

Amphenol LTW
 安費諾亮泰企業股份有限公司

ITEM NO	DRAWN BY Lingpeng	DATE 2017-10-13
DWG NO SC-L-UL11-XX-XX	CHECKED BY MaFei	DATE 2017-10-13
CUSTOMER ALTW	APPROVED BY Jerry	DATE 2017-10-13