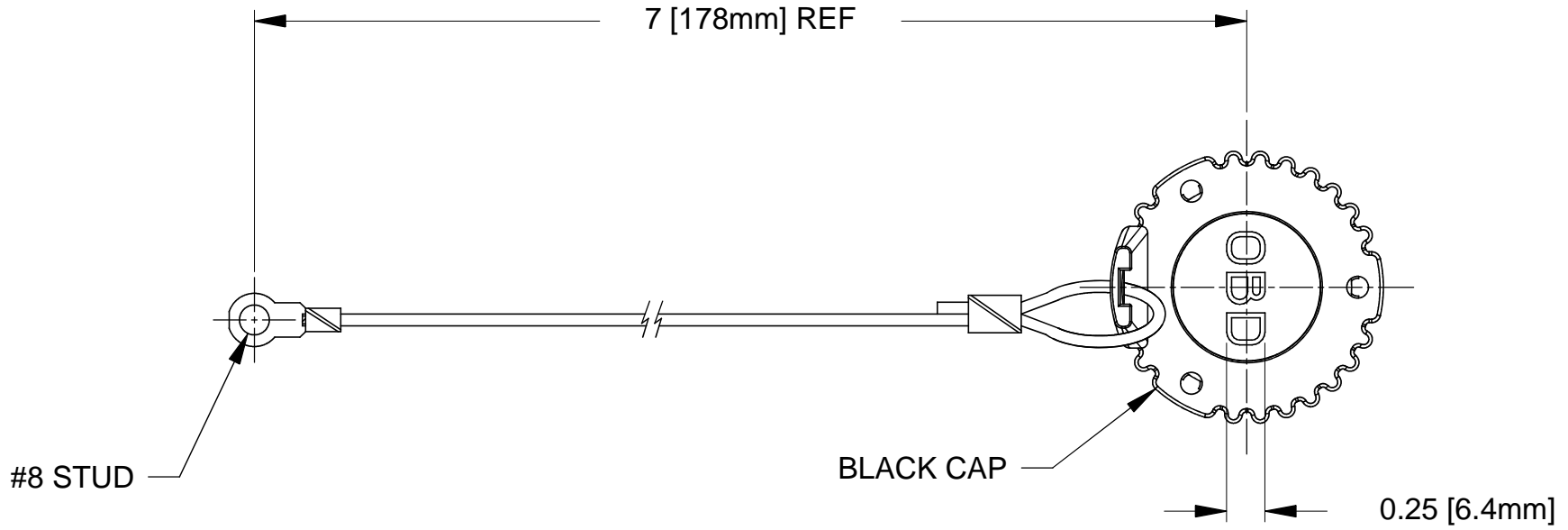


REVISIONS					
REV	ECO	DESCRIPTION	DATE	BY	APPR
A1		RELEASE CUSTOMER DRAWING	06NOV13	DRP	



NOTES: UNLESS OTHERWISE SPECIFIED

1. COMPATIBLE WITH AHD SERIES 9 POSITION RECEPTACLES .
2. ALL COMPONENTS ARE RoHS COMPLIANT.
3. ALL DIMENSIONS ARE FOR REFERENCE USE ONLY.

QUANTITY	AHDC169-TMOBDBK	DESCRIPTION	ITEM												
<b>MATERIALS LIST</b>															
<small>UNLESS OTHERWISE SPECIFIED</small> 1) All dimensions are in metric(mm). 2) Tolerances are as follows: 1 PL DEC ±0.30 2 PL DEC ±0.15 3 PL DEC ±0.08 Fractions ±1/64 Angles ±1° 3) Note reference =		<table border="1"> <tr> <th>SIGNATURES</th> <th>DATE</th> </tr> <tr> <td>DRAWN:   DRP</td> <td>06NOV13</td> </tr> <tr> <td>CHECKED:</td> <td></td> </tr> <tr> <td>ENGINEER:</td> <td></td> </tr> <tr> <td>APPROVAL:</td> <td></td> </tr> <tr> <td>CUSTOMER:</td> <td></td> </tr> </table>	SIGNATURES	DATE	DRAWN: DRP	06NOV13	CHECKED:		ENGINEER:		APPROVAL:		CUSTOMER:		<div style="text-align: center;"> <h1>Amphenol</h1> <p>Sine Systems - www.amphenol-sine.com                      44724 Morley Drive                      Clinton Township, MI 48036</p> </div>
SIGNATURES	DATE														
DRAWN: DRP	06NOV13														
CHECKED:															
ENGINEER:															
APPROVAL:															
CUSTOMER:															
MATERIAL SPECIFICATIONS:		TETHERED OBD CAP, METAL WIRE, AHD 9 POSITION SERIES													
PROCESS SPECIFICATIONS:		<table border="1"> <tr> <td>SIZE</td> <td>TYPE</td> <td>DWG NO:</td> <td>REVISION</td> </tr> <tr> <td>A</td> <td>C-</td> <td>AHDC169-TMOBDBK</td> <td>A1</td> </tr> </table>		SIZE	TYPE	DWG NO:	REVISION	A	C-	AHDC169-TMOBDBK	A1				
SIZE	TYPE	DWG NO:	REVISION												
A	C-	AHDC169-TMOBDBK	A1												
NEXT ASSY:		SCALE: NONE	SHEET 1 OF 1												
<small>THIS DRAWING IS SUPPLIED FOR INFORMATION ONLY. DESIGN FEATURES, SPECIFICATIONS AND PERFORMANCE DATA SHOWN HEREON ARE THE PROPERTY OF THE AMPHENOL CORPORATION. NO RIGHTS OF REPRODUCTION ARE IMPLIED. ALL DIMENSIONS ARE SUBJECT TO NORMAL MANUFACTURING VARIATIONS.</small>															