

10 9 8 7 6 5 4 3 2 1

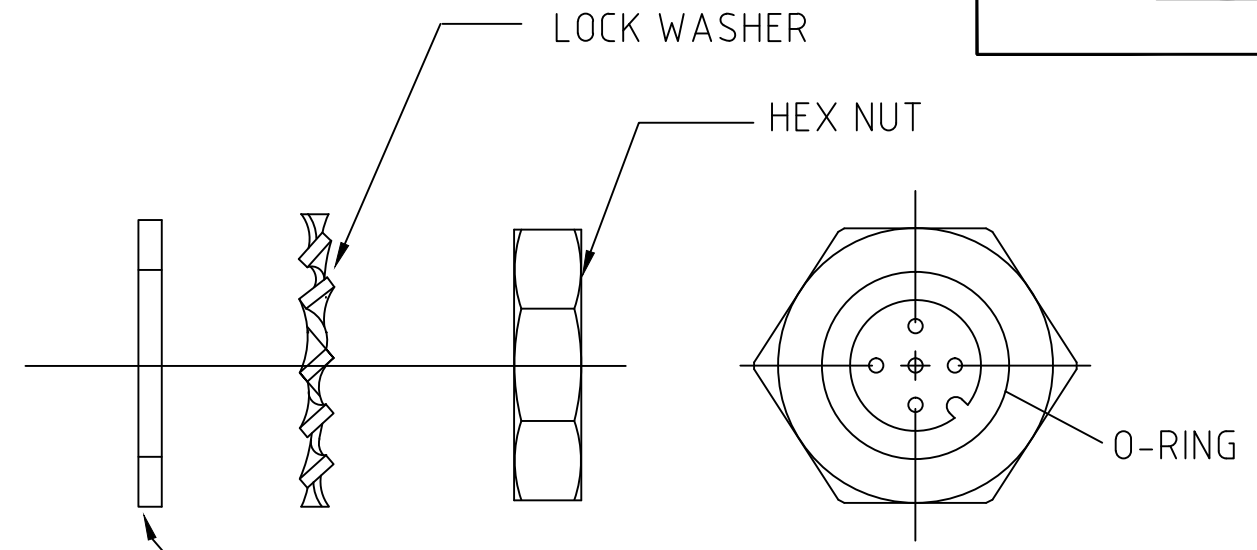
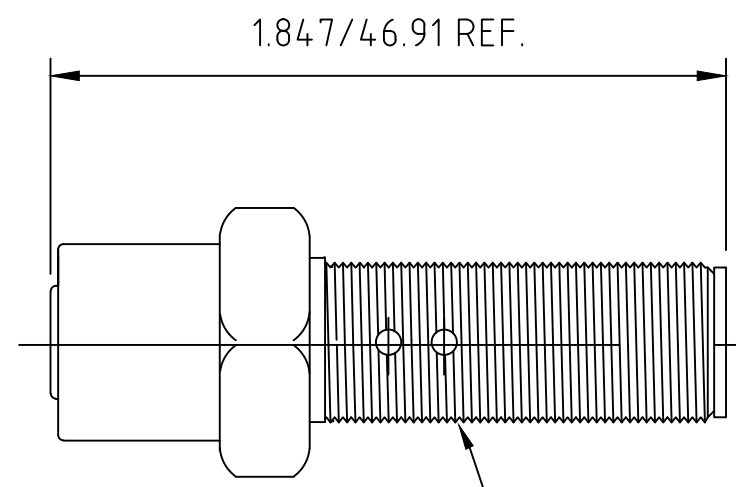
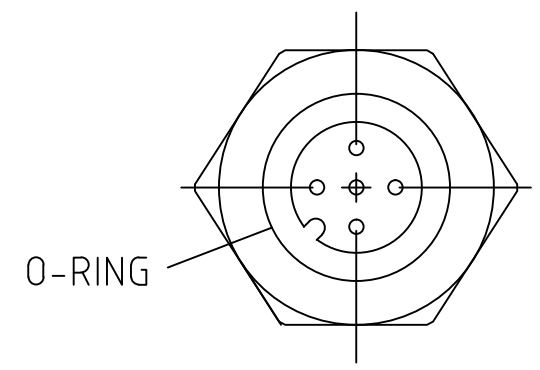
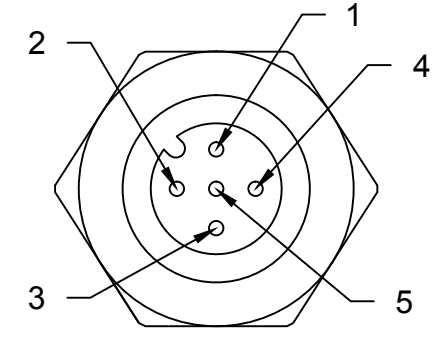
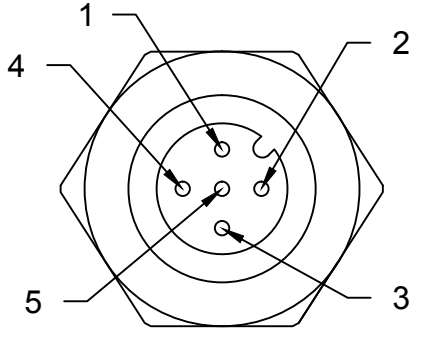
**FEMALE INSERT
FRONT VIEW**

**MALE INSERT
FRONT VIEW**

POL	MATERIAL NUMBER	ENGINEERING NUMBER
5	1200700237	8R5L30

5 POLE

5 POLE



CONNECTOR SPECIFICATION:

VOLTAGE RATING	60 VAC/VDC
AMPERAGE RATING	4 AMPS
PROTECTION	IP67
OPERATING TEMPERATURE	-25°C TO 80°C

COMPONENT	MATERIAL	FINISH
RCPT. SHELL	BRASS	NI PLATED
HEXNUT	BRASS	NI PLATED
O-RING	VITON	-
CONTACT PIN/SOCKET	COPPER ALLOY	GOLD
GASKET	VITON	-
LOCK WASHER	STEEL	-
MALE/FEMALE INSERT	NYLON	BLACK

CHANGE CONTACT MATERIAL
 EC NO: IPG2014-0592
 DRWN: BARDEN 2013/10/07
 CHKD: TWOLDEGE
 APPR: JFMURPHY 2010/02/19

QUALITY SYMBOLS	DESCRIPTION
▽=0	
∇=0	
REV	

GENERAL TOLERANCES (UNLESS SPECIFIED)	
	mm INCH
4 PLACES	±--- ±---
3 PLACES	±--- ±.005
2 PLACES	±0.13 ±.010
1 PLACE	±0.25 ±.020
ANGULAR ±---°	
DRAFT WHERE APPLICABLE MUST REMAIN WITHIN DIMENSIONS	

DIMENSION STYLE	
IN/MM	
DRAWN BY	DATE
LSTEMMLE	2010/02/17
CHECKED BY	DATE
FP	2010/02/18
APPROVED BY	DATE
FPACHER	2010/02/19
MATERIAL NO.	
SEE CHART	
SIZE	
B	

SCALE	DESIGN UNITS	THIRD ANGLE PROJECTION
2:1	METRIC	
TITLE		
MIC 5P M/MF BULKHEAD FEET-THRU		
MOLEX INCORPORATED		
DOCUMENT NO.	SHEET NO.	
SD-120070-018	1 OF 1	
THIS DRAWING CONTAINS INFORMATION THAT IS PROPRIETARY TO MOLEX INCORPORATED AND SHOULD NOT BE USED WITHOUT WRITTEN PERMISSION		

10 9 8 7 6 5 4 3 2 1