



ITT

Interconnect Solutions
Cannon, VEAM, BIW

Providing **100% reliable**
ethernet data transmissions for
commercial and **military aircraft applications**
for over **10 years**



Engineered for life



Quadrax

Insert Arrangement Code

See ITT Cannon website www.ittcannon.com when new Insert Arrangement code is required. For rack and panel on-line catalog go to literature/literature by product/rack and panel/view PDF.

Q prefix denotes Quadrax contacts and inserts arrangements are used in this connector arrangement. Quadrax contact cavities will accommodate size 8 twinax and coax contacts of a similar type (i.e. front release, front removal or rear release, rear removal types).

For Quadrax contact and cable recommendations see ARINC 600 Specification.

Shell Style

- 3 Plug (Mounts on the Rack)
- 4 Receptacle (Mounts on the LRU)

Connector Mounting Modifier

- 00 Plug and Receptacle Connectors
.148 dia. connector mounting holds (This is a standard configuration)
- 01 Plug and Receptacle Connectors
With #6 (.138)- 32 ESNA clinch nuts (See table for quantities)
- 03 Plug and Receptacle Connectors
With #4 (.112)- 32 ESNA clinch nuts (See table for quantities)
- 08 Size 2 and 3 Plug and Receptacle Connectors Only
With #4 (.112)- 32 ESNA clinch nuts in all connector mounting holes (See table for quantities)
- 09 Size 2 and 3 Plug and Receptacle Connectors Only
With #6 (.138)- 32 ESNA clinch nuts in all connector mounting holes (See table for quantities)
- 10 Size 2 Plug and Receptacle Connectors Only
With #4 (.112)- 340 ESNA clinch nuts installed in two mounting holes located between shell cavities "B" and "C"
- 11 Receptacle Connectors Only
With #6 (.138)- 32 ESNA clinch nuts installed in two mounting holes located between shell cavities "B" and "C"
- 12 Size 2 Plug and Receptacle Connectors Only
With six #4 (.112) clinch nuts (PEM #KFS2-440)
- 15 Plug and Receptacle Only
With four #6 (.138)- 32 clinch nuts per MIL-N-45938/7 and clear cadmium shell finish
- 17 Receptacle Connectors Only
Standard configuration with .0008-.0012 thick nickel plated shell
- 21 Plug and Receptacle Connectors
Standard Configuration with clear cadmium over nickel plated shells
- 22 Plug Connectors Only
Standard Configuration with .0008-.0012 thick nickel plated shell
The shell is provided with with an EMI/Grounding spring.
Metallic inserts, if supplied, are selectively plated- I.D. Silver; O.D Nickel over Silver.
The contact retaining/grounding clips are gold plated.

Insert Arrangement Code

Connector Mounting Modifier (continued)

- 23 Plug and Receptacle Connectors
With floating eyelets (.048 min. radial float) in four corner connector mounting holes
- 24 Plug Connectors Only
With #4 (.112)- 32 ESNA clinch nuts (See table for quantities)
- 26 Receptacle Connectors Only
Standard Configuration with .0008-.0012 thick nickel plated shell.
Non-environmental inserts- BKAD
- 29 Applies to both Plug and Receptacle meeting the definitions of the 22 and 17 mode codes.
All mounting holes shall have #6-32 clinch nuts installed.
- 33 Plug Connectors Only
Standard Configuration with .0008-.0012 thick nickel plated shells, but without
EMI/Grounding springs
- 34 Plug Connectors Only
Standard Configuration with .0008-.0012 thick nickel plated shells, but without
EMI/Grounding springs and #6-32 clinch nuts installed as in mod code -01.
- 37 Plug Connectors Only
With metric clinch nuts M3.5X6 (See table quantities)
- 38 Plug Connectors Only
With metric clinch nuts M3.5X6 (See table quantities) and with .0008- .0012 thick nickel
plated shell. The shell is provided with an EMI/Grounding spring. Metallic inserts, if
supplied, are selectively plated- I.D. Silver; O.D. Nickel over Solver. The contact
retaining/grounding clips are gold plated.
- 41 Plug Connectors Only is the -22 mod code (nickel plated with EMI springs) and #6-32 clinch
nuts ESNA type same as standard mod code -01.
- 43 Plug Connectors Only is the -22 mod code (nickel plated with EMI springs) and #4-40 clinch
nuts ESNA type same as standard mod code -03.

Mounting Modifier	Shell Size	Quantity of Clinch Nuts	
		Plug Connector	Receptacle Connector
01, 03, 24, 37, 38	2	4	6
	3	8	10
08, 09	2	8	10
	3	12	14



G

Quadrax

Insert Arrangement Code

Polarizing Positions

- Blank** Polarizing hardware is supplied with the connector, but is not installed.
- 00** Polarizing hardware is not supplied with the connector.
- 01-216** Polarizing hardware is installed in positions per ARINC 600.

Special Modifier

- Blank** Connector is supplied with full complement of power and signal crimp contacts. Quadrax, triax, twinax, and coax contacts are purchased separately.
- F0** Connector is supplied without contacts (**F0** is not marked on the connector)
- F00** Connector is supplied without contacts and without waveguide (**F00** is not marked on the connector)

	Solder Post Dia.	Solder Post Extension	Size 22 Contact Part Number	
			Receptacle Connector	Plug Connector
SA	0.025	.150	031-1352-000	030-3288-000
SB	0.025	.250	031-1352-001	030-3288-003
SC	0.025	.375	031-1352-002	030-3288-004
SD	0.025	.500	031-1352-003	030-3288-005

W* Connector is supplied with full complement of signal (size 22) and power contacts per ARINC 600. Signal contacts are front release, front removable with wrap post termination installed in the connector. Power contacts are rear release, rear removable with crimp termination supplied uninstalled.

	Wrap Post Square	Wrap Post Extension	Size 22 Contact Part Number	
			Receptacle Connector	Plug Connector
WA	0.025	.250	031-1351-000	030-3310-000
WB	0.025	.375	031-1351-001	030-3310-001
WC	0.025	.500	031-1351-002	030-3310-002

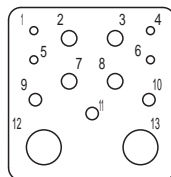
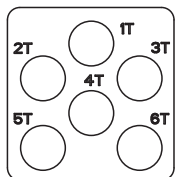
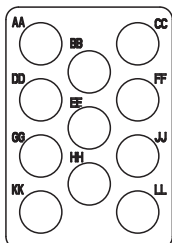
Note: For ARINC 404 connectors due to the lack of industry standards governing the use of Quadrax contacts, unique part numbers will be assigned for each customer application until such time that a mutually accepted standard is adopted.

Insert Arrangements

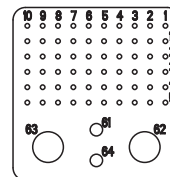
Insert Arrangements – the following inserts are currently available

ARINC 600 (BKA)

<u>11Q11</u>	<u>6Q6</u>	<u>24T4</u>	<u>13Q2</u>	<u>64Q2</u>
Metallic	Metallic	4 Quadrax Contacts	2 Quadrax Contacts	2 Quadrax Contacts
11 Quadrax Contacts	6 Quadrax Contacts	20 #20 Contacts	4 #20HD Contacts	60 #22 Contacts
			3 #16 Contacts	2 #16 Contacts
			4 #12 Contacts	



** In Development



PIN FRONT
ENGAGING FACE

Note: Other ARINC Layouts under development. Consult factory for further details.

Plug: RR-RR
Rec.: RR-RR
FR-FR

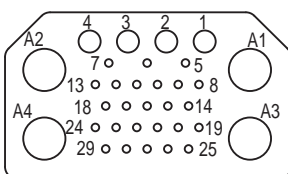
Plug: RR-RR
Rec.: FR-FR

Plug: RR-RR
Rec.: RR-RR
FR-FR

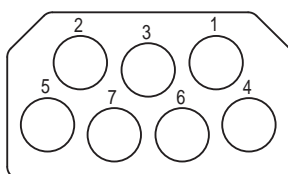
Plug: RR-RR
Rec.: RR-RR
FR-FR

Plug: RR-RR
Rec.: RR-RR
FR-FR

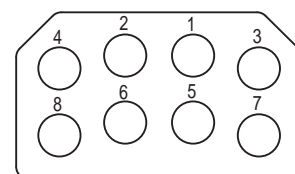
ARINC 404, MIL-C-81659 (DPX)



PIN FRONT
ENGAGING FACE



PIN FRONT
ENGAGING FACE



PIN FRONT
ENGAGING FACE

33Q4M

(4) #5 Quadrax Contacts
25 #20HD Contacts
4 #16 contacts

7Q7

(7) #8 Quadrax Contacts

8Q8

(8) #8 Quadrax Contacts

** 13 Q2, 17 Q2, 30 Q2, and 70 Q2 are in development



Contact Data

Size 8 Quadrax – ARINC 600, ARINC 404, MIL-C-81659, MIL-DTL-38999

Termination Type	Gender	Part Number	Type
Crimp***	Pin	224-0007-004	Rear Release/Rear Removable (RR-RR)
Crimp***	Socket	244-0011-000	Rear Release/Rear Removable (RR-RR)
Solder (PCB)	Pin	224-0007-000	Front Release/Front Removable* (FR-FR)
Solder (PCB)	Pin	224-0007-012	Front Release/Front Removable** (FR-FR)

* .250 solder extension

** .150 solder post extension

*** These contacts are designed to terminate 100 Ohm star Quad 24 AWG 100 Base-T Ethernet Cable with a max OD of .182. For other cable configurations consult factory.

Other PCB Solder configurations have been developed. Please contact Customer Service for further details.

Size 5 Quadrax – ARINC 404, MIL-C-81659 (33Q4M & 8Q8)

Termination Type	Gender	Part Number	Type
Crimp (Cable)	Pin	224-0007-005	Rear Release/Rear Removable
Crimp (Cable)	Socket	244-0011-001	Rear Release/Rear Removable

Crimping Tools

	Tool Handle	Die Set/Positioner
Center Contact	M22520/2-01	M22520/2-37 (Position 5)
Outer Body	M22520/5-01	M22520/5-45 (Position A)

Insertion / Removal Tools

Termination Type	Type	Contact Size	Insertion	Removal
Crimp (Cable)	RR-RR	8	None	Cannon Plastic Tool 323-7004-001
Crimp (Cable)	RR-RR	5	None	Cannon Plastic Tool 323-7011-000
Solder (PCB)	FR-FR	8	CIET 70369-8	CIET 70369-8

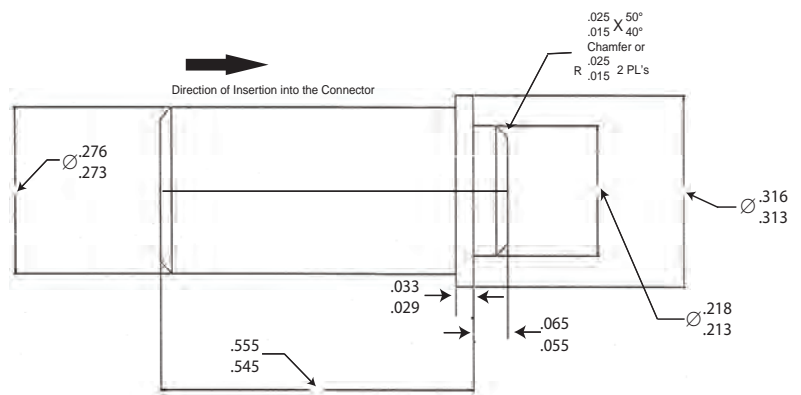
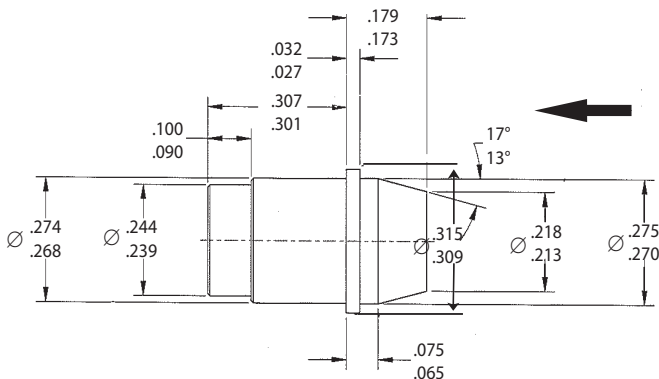
Filler Plug (for pin or socket crimp contacts)

Size 8, Aluminum Alloy with Nickel plating

For FR-FR Contacts Part Number 225-1065-001

For RR-RR Contacts

Part Number 225-1066-000



Dimensions shown in inches (mm)
Specifications and dimensions subject to change