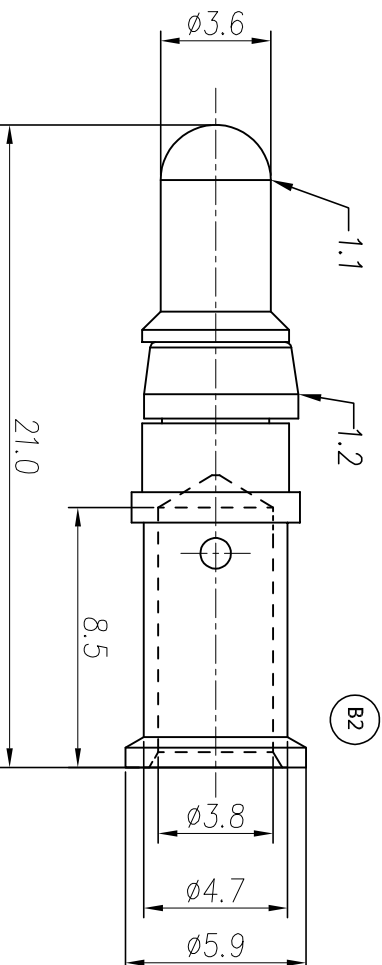


REVISIONS					
REV	ECO	DESCRIPTION	DATE	BY	APPR
B1	-	RELEASED DRAWING	JUN-17-2014	BEN	TOMMY
B2	-	DESIGN CHANGE	JUL-18-2017	FLAN	TOMMY



P/N	CONTACT PLATING(MATING AREA)
MP10A23T	TIN PLATING OVER NICKEL.
MP10A23S	SILVER PLATING OVER NICKEL.
MP10A23F	GOLD FLASH PLATING OVER NICKEL.
MP10A23G5	5μ" GOLD PLATING OVER NICKEL.
MP10A23G10	10μ" GOLD PLATING OVER NICKEL.
MP10A23G15	15μ" GOLD PLATING OVER NICKEL.
MP10A23G30	30μ" GOLD PLATING OVER NICKEL.

- NOTES : (UNLESS OTHERWISE SPECIFIED)
- MATERIAL :
 - CONTACT BODY : COPPER ALLOY.
 - POSITIONING CLIP : COPPER ALLOY.
 - SPECIFICATIONS :
 - CURRENT RATING : 45A(MAX).
 - TERMINATION TYPE : CRIMPING.
 - WIRE RANGE : 10~12AWG.
 - SUITABLE CONTACT : MS10A23xx.
 - ROHS COMPLIANT.
 - ALL DIMENSIONS ARE FOR REFERENCE USE ONLY.

QUANTITY	PART NUMBER	DESCRIPTION	ITEM

UNLESS OTHERWISE SPECIFIED	
1) All dimensions are in millimeters.	
2) Tolerances are as follows:	
1 Pt. DEC 40.30	Fractions 1/16"
3 Pt. DEC 40.08	Angles 1°
3) Note reference =	

SIGNATURES	DATE
DRAWN: Ben	JUL-18-2017
CHECKED: Tod	JUL-18-2017
ENGINEER: Tommy	JUL-18-2017
APPROVAL: Tommy	JUL-18-2017

CUSTOMER:	SIZE:	TYPE:	DWG NO:
ECO-MATE PIN CONTACT	B	C-	MP10A23xx

PROCESS SPECIFICATIONS:	SCALE:	REVISION:
	NONE	B2

MATERIAL SPECIFICATIONS:	
NEXT ASSY:	

MATERIALS LIST	
<p>Amphenol</p> <p>Sine Systems - www.amphenol-sine.com 44724 Morley Drive Clinton Township, MI 48036</p>	

ECO-MATE PIN CONTACT, MACHINE-MADE CONTACT, 3.6mm
 DWG NO.: MP10A23xx
 REV: B2
 SH: 1
 OF: 1