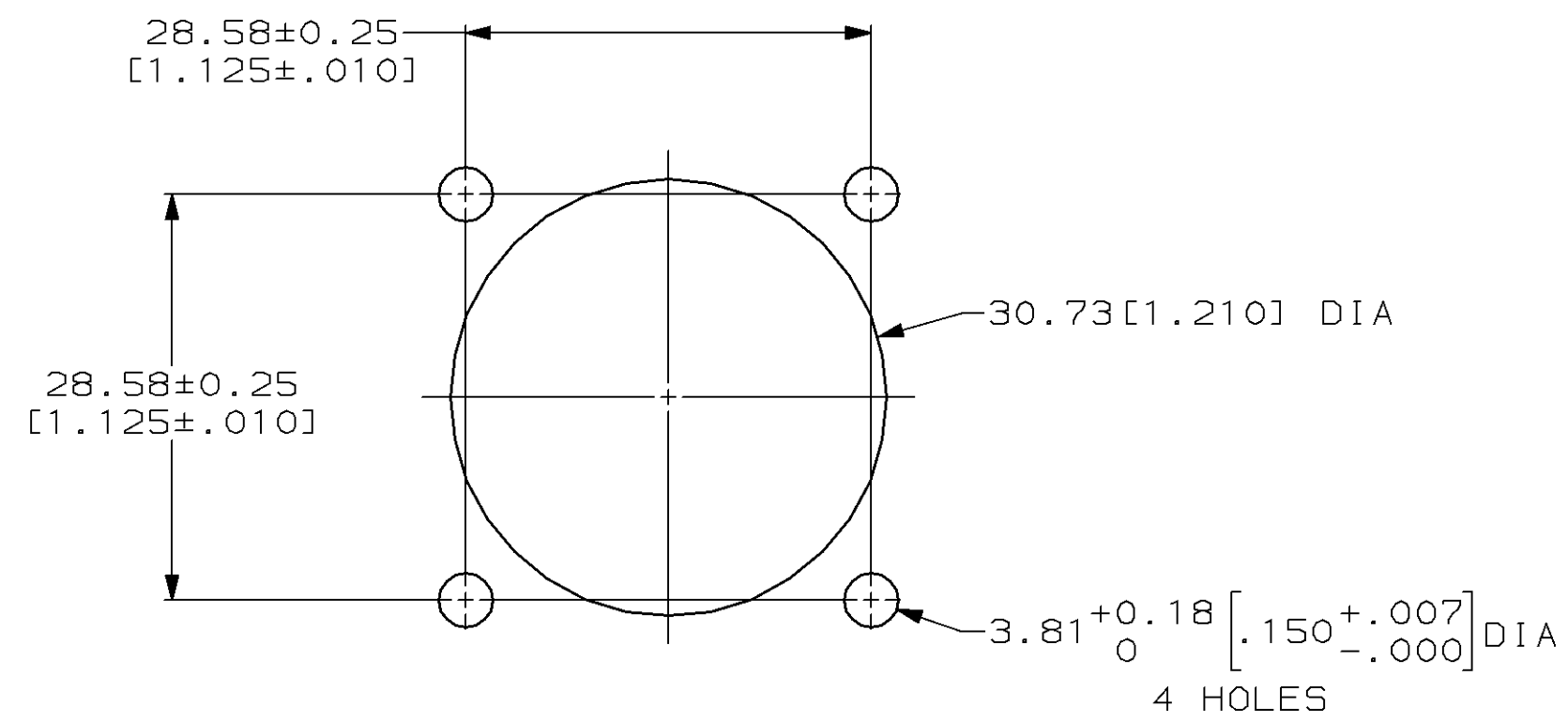
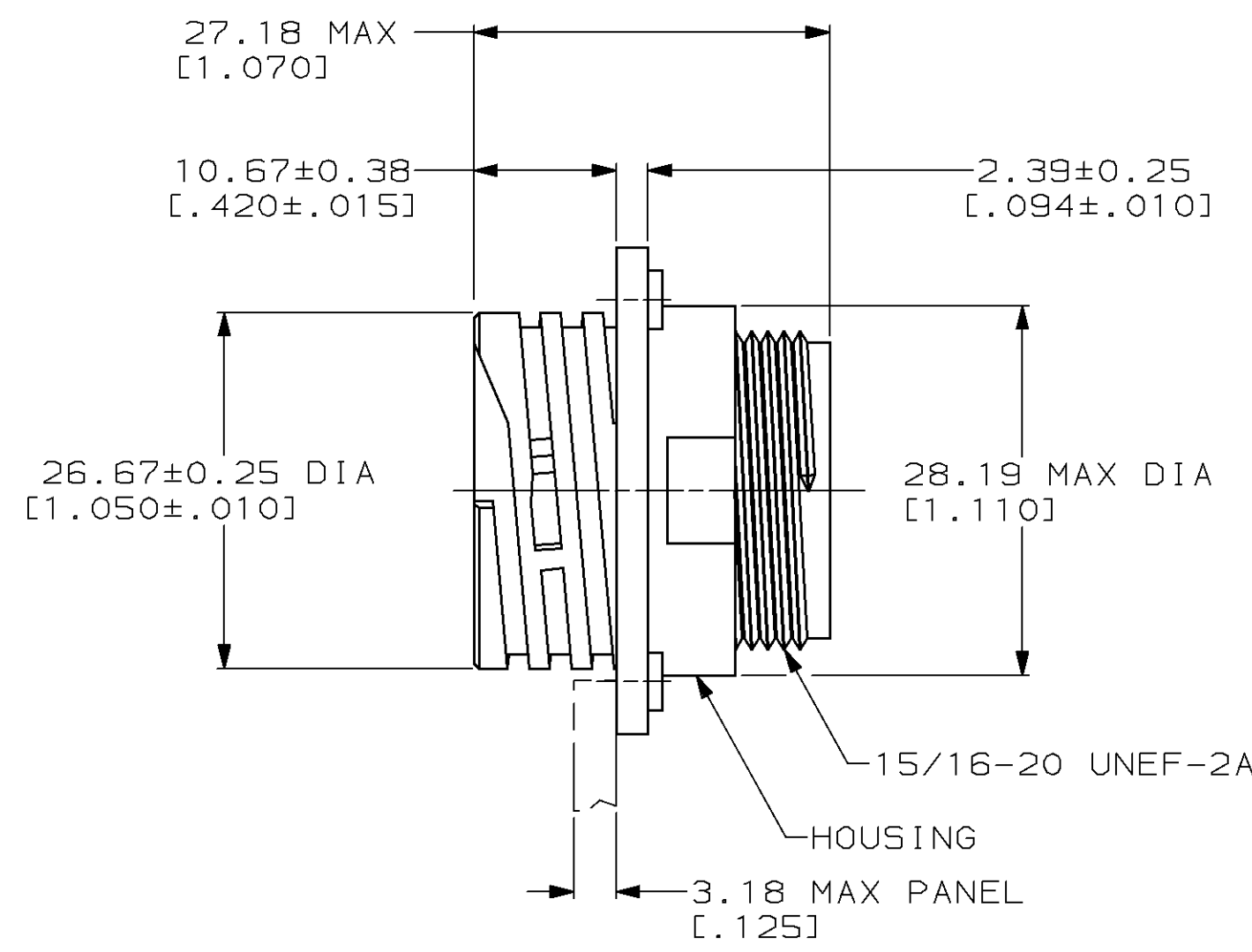
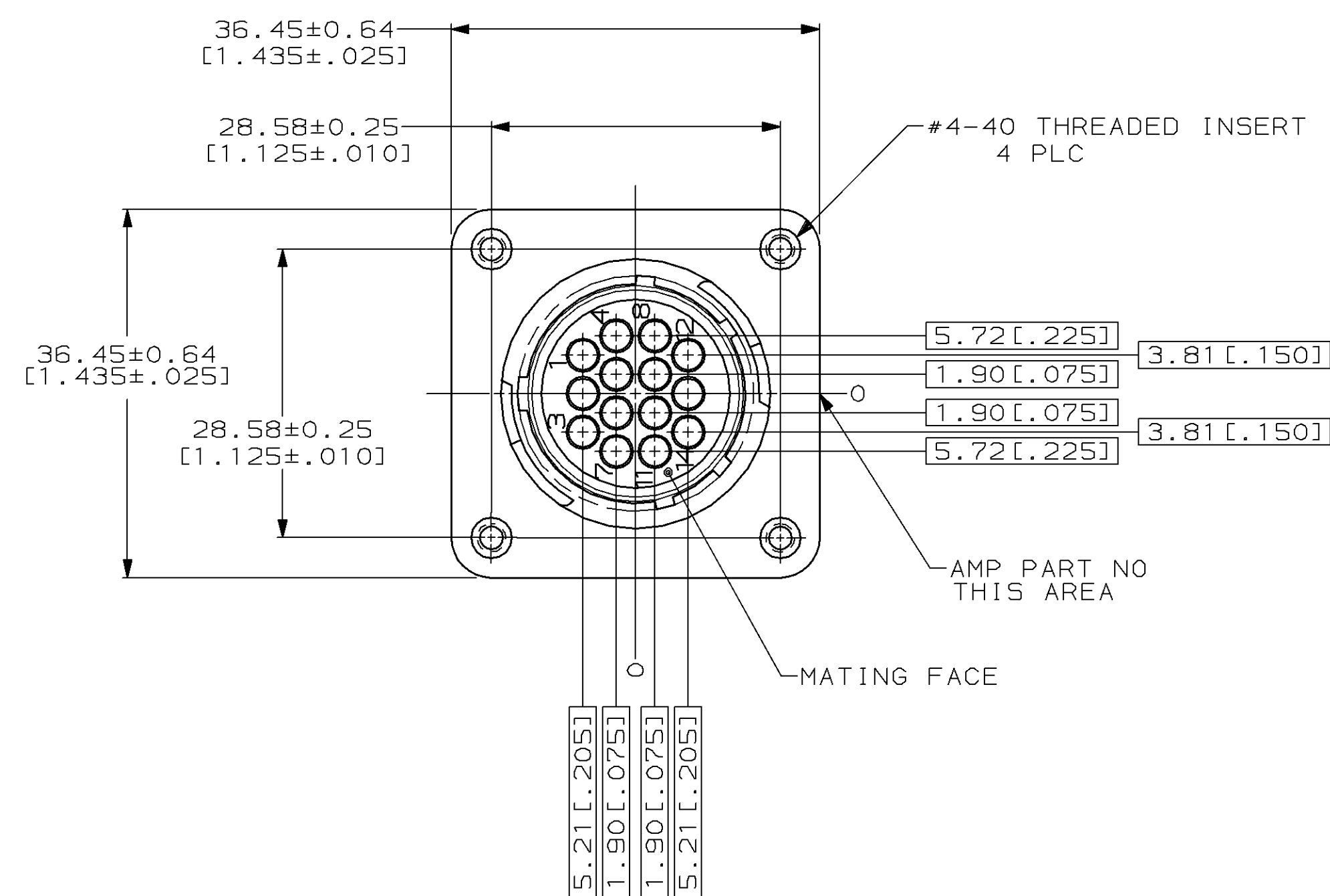


MOD		LOC		DIST		REVISIONS				
ZONE	LTR	DESCRIPTION	DATE	APPD						
4	BD	35	P	F	A	REDRAWN W/O CHANGE PER EC 0020-600-94	06/21/94	AF		



- CAVITY IDENTIFICATION ON FRONT AND REAR FACE.
- WILL ACCEPT FOURTEEN (14) MULTIMATE SOCKET CONTACTS.

THIS DRAWING IS A CONTROLLED DOCUMENT FOR AMP INCORPORATED. IT IS SUBJECT TO CHANGE AND THE CONTROLLING ENGINEERING ORGANIZATION SHOULD BE CONTACTED FOR THE LATEST REVISION.

DO NOT SCALE PRINT. UNLESS SPECIFIED DIMENSIONS IN mm [INCHES] TOLERANCES ON :		DR 06-21-94 D.HARDY		211103-1	
2 PLC DEC ± -		CHK 06-28-94 R.STONE		PART NO	
3 PLC DEC ± -		APPD 08-09-94 A.FRANTUM		AMP Incorporated Harrisburg, PA 17105-3608	
ANGLES ± -		APPD 08-09-94 A.FRANTUM			
MATERIAL		PRODUCT SPEC		NAME	
HOUSING: THERMOPLASTIC, BLACK		-		RECEPTACLE ASSEMBLY W/ THREADED FASTENERS, SHELL SIZE 17, REVERSE SEX, CPC	
INSERT: BRASS		APPLICATION SPEC		SIZE	
FINISH		-		CAGE CODE	
-		-		DRAWING NO	
-		-		C=211103	
WEIGHT		-		SCALE	
-		-		2:1	
				SHEET	
				1 OF 1	