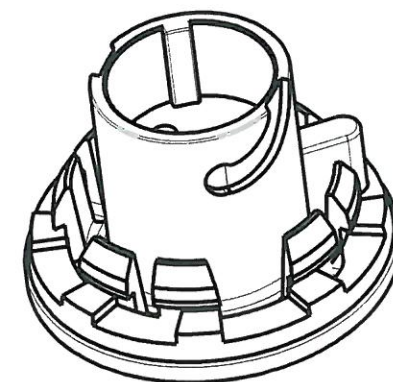
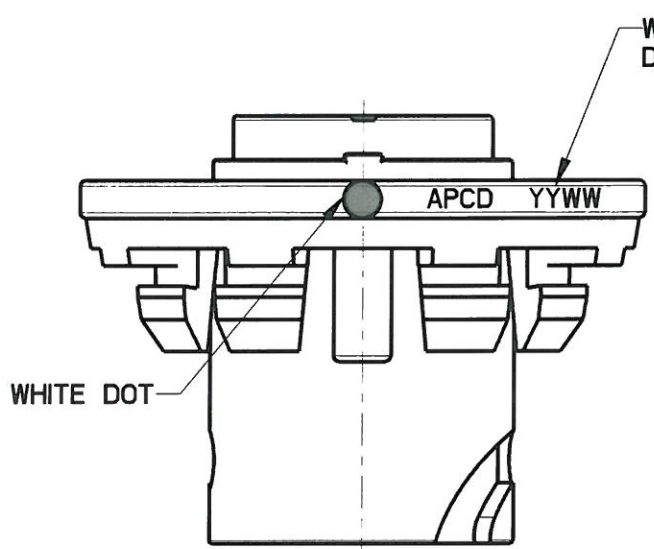
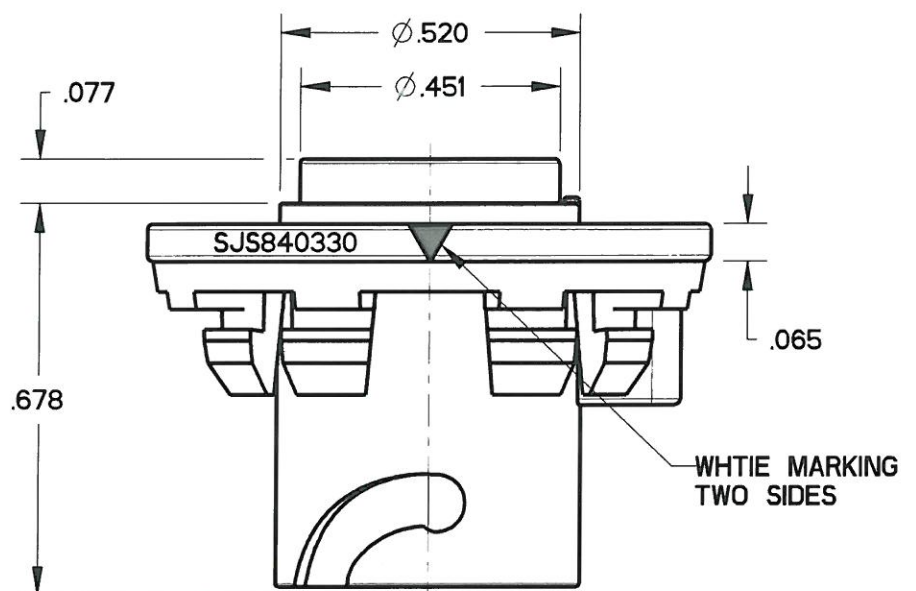
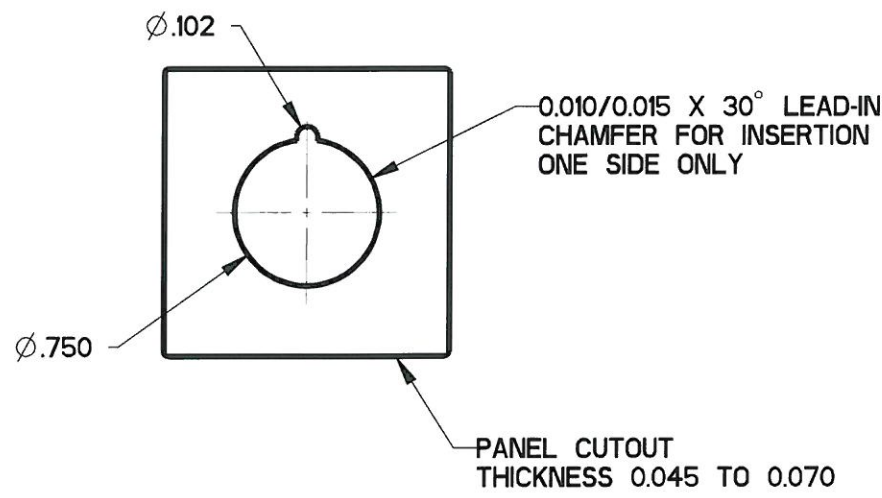
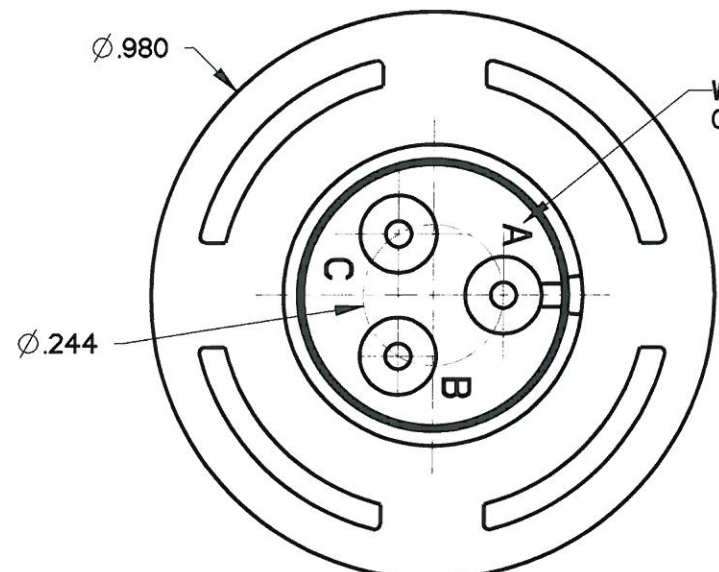
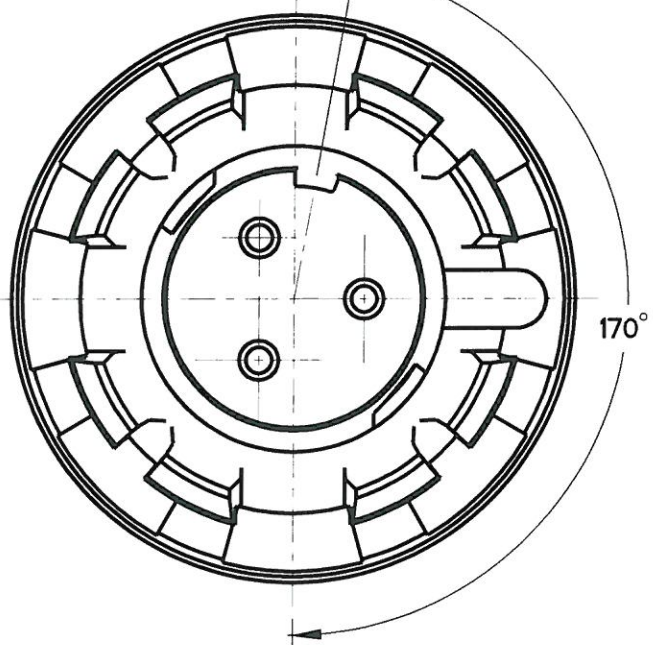


REV	ECN	APP'D
A	6428	JT 10/28/09
B	6473	JT 2/8/10
C	6564	<i>[Signature]</i>



SCALE 2:1

- NOTES:
- MATERIALS:  
HOUSING: PA6/6  
CONTACT RETAINER: STAINLESS STEEL  
GROMMET: SILICONE RUBBER PER A-A-59588
  - ACCEPTS M39029/58-364 PIN CONTACTS (NOT INCLUDED)
  - PART MATES WITH SJS840340
  - WEIGHT: 3.3 GRAMS
  - SUPPLIED WITH DUST CAP



DIMENSIONS	TOLERANCES	PROJECTION	Amphenol Pcd SPECIFICATION DRAWING		TITLE		
ANSI Y14.5M UNITS: INCHES Pro/E FILE	.XX $\pm 0.01$ .XXX $\pm 0.005$ ANGLES $\pm 1.0^\circ$		ENGR	Frank.Li 02-Mar-09	3P SZ16 PANEL ALT BLACK RECEPTACLE FOR SJS		
ORIGINAL	THIS DOCUMENT CONTAINS PROPRIETARY INFORMATION WHICH IS THE CONFIDENTIAL PROPERTY OF AMPHENOL PCD INC., BEVERLY, MA	CHKD	<i>[Signature]</i>	8/6/10	SIZE	DWG NO.	REV
		APPD	<i>[Signature]</i>	8/6/10	B	SJS840330_CE	C
		CODE: 58982		SCALE: 3:1		SHEET 1 OF 1	

SJS840330

SJS840330