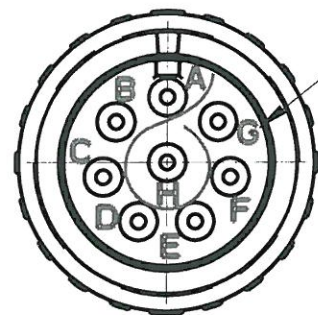
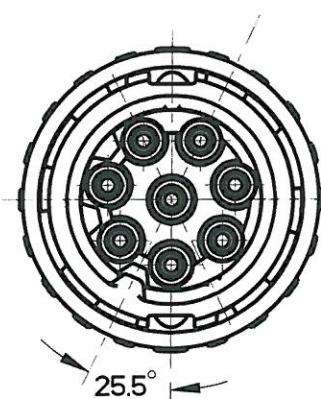
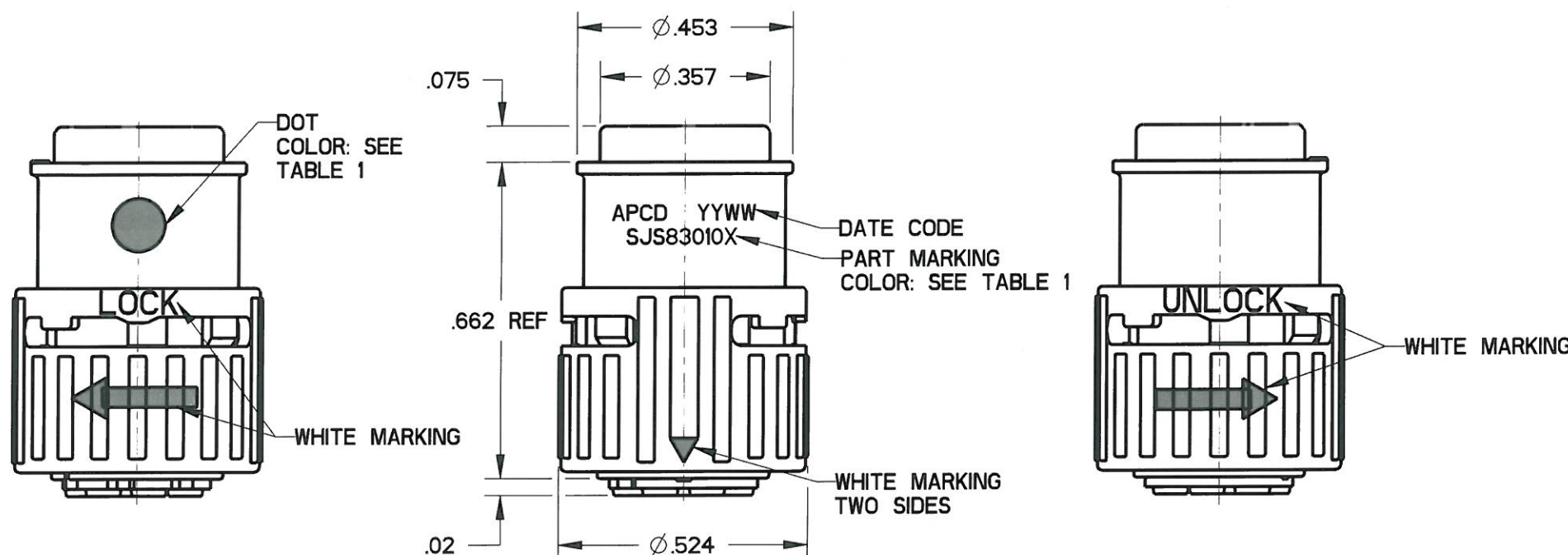


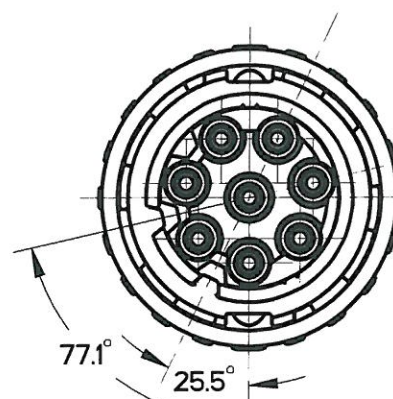
REV	ECN	APP'D
-	6253	JT 8/6/08
A	6297	JT 1/14/09
B	6431	JT 10/28/09
C	6716	<i>[Signature]</i>



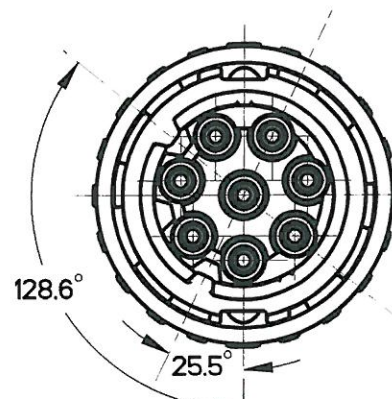
GROMMET MARKING  
.040 HIGH CHARACTERS  
COLOR: CONTRASTING



KEY A (BLACK)



KEY B (GREEN)



KEY C (YELLOW)

APCD P/N	HOUSING COLOR	MARKING COLOR	KEY CONFIGURATION
SJS830100	BLACK	WHITE	A
SJS830101	GREEN	BLACK	B
SJS830102	YELLOW	BLACK	C

- NOTES:
- MATERIALS:  
HOUSING: PA6/6  
CONTACT RETAINER: STAINLESS STEEL  
GROMMET: SILICONE RUBBER PER A-A-59588
  - ACCEPTS M39029/57-354 SOCKET CONTACTS (NOT INCLUDED)
  - TEST REPORT: TR-1592
  - WHEN ASSEMBLED, "LOCK" AND ARROW MARKINGS MUST ALIGN WITH COLORED DOT
  - PART MATES WITH SJS83020X & SJS83022X

<b>DIMENSIONS</b> ANSI Y14.5M UNITS: INCHES Pro/E FILE	<b>TOLERANCES</b> .XX ±0.01 .XXX ±0.005 ANGLES ±2.0°	<b>PROJECTION</b> 	<b>Amphenol Pcd</b> SPECIFICATION DRAWING		<b>TITLE</b> SJS, PLUG 8 POSITION, SIZE 22 SHELL SIZE 7		
			ENGR WESLEY YU 07-Oct-08	CHKD <i>[Signature]</i> 8/18/11	APPD <i>[Signature]</i> 8/18/11	SIZE <b>B</b>	DWG NO. <b>SJS830100_CE</b>
ORIGINAL 	THIS DOCUMENT CONTAINS PROPRIETARY INFORMATION WHICH IS THE CONFIDENTIAL PROPERTY OF AMPHENOL PCD INC., BEVERLY, MA			CODE: 58982	SCALE: 3:1	SHEET 1 OF 1	

SJS830100

SJS830100