

5

4

3

2

1

受控 CONTROLLED DOCUMENT

编号 P/N	CPMCTNC13-CUST	版本 Rev	01	日期 Rel'd Date	Aug5,11
-----------	----------------	-----------	----	------------------	---------

DRAWING NO.
CPMCTNC13-CUST

REVISIONS

01	OFFICIAL RELEASE						
	10-26-09	Y	U	Y	U	TH	<i>Lim</i>

D



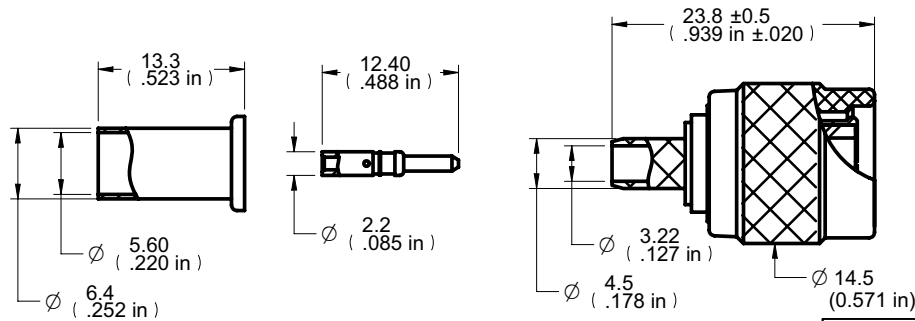
Description: TNC crimp plug for RG223
 Part No: CPMCTNC13
 Application: For RG55,142,223,400 Cable
 Crimp Tool: 24-9958P
 Impedance: 50 Ohms
 Frequency Range: 0-11 GHz
 Material: Body Zinc Nickel plated
 Contact Brass Ni/Au plated
 Insulator TPX
 Crimp sleeve Brass Bright Nickel
 Coupling Nut Zinc Nickel plated

RoHS Compliance: Yes

Technical Detail: Refer to Emerson Document P/N 28-0000

C

B



DIM OUTLINE

CUSTOMER COPY

A

TOLERANCE UNLESS OTHERWISE SPECIFIED		DRAWN BY	DATE
DECIMALS	mm	BETTY.YU	10-26-09
X	± 0.5	CHECKED BY	DATE
X.X	± 0.3	BETTY.YU	10-26-09
X.XX	± 0.1	APPROVED BY	DATE
ANGLES	± 0.5°	THOMAS	10-26-09
		U/M	mm



TITLE
TNC CRIMP PLUG-RG223

THIS DRAWING WAS PRODUCED BY COMPUTER,
DO NOT SCALE DRAWING OR UPDATE MANUALLY.

SHEET 1 OF 1	DRAWING NO. CPMCTNC13-CUST	SIZE A
-----------------	-------------------------------	-----------

5

4

3

2

1