

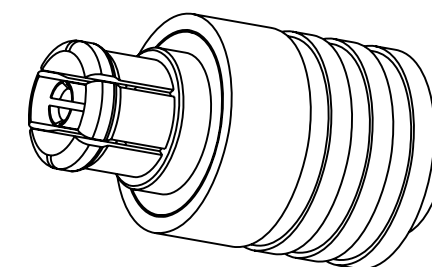
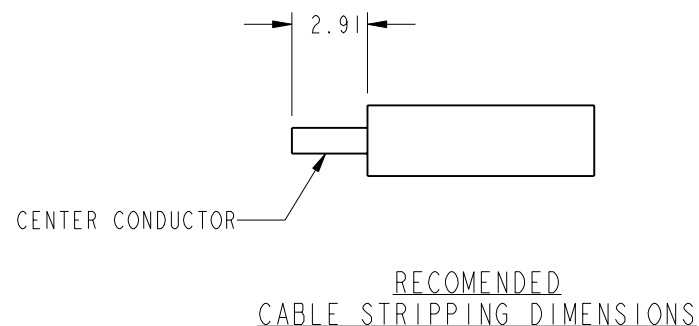
NOTES:

1. MATERIALS AND FINISHES:
 BODY - BERYLLIUM COPPER, WHITE BRONZE PLATING OVER SILVER
 CONTACT - BERYLLIUM COPPER, GOLD PLATING
 INSULATORS - PTFE
2. ELECTRICAL:
 A. IMPEDANCE: 50 OHM
 B. FREQUENCY RANGE: DC - 2 GHz
 C. VSWR(RETURN LOSS): 1.2 MAX.
 D. DIELECTRIC WITHSTANDING VOLTAGE: 1000 VRMS, MIN.
3. MECHANICAL:
 A. DURABILITY: 100 CYCLES MIN. WHEN MATED WITH FULL DETENT PLUG
 100 CYCLES MIN. WHEN MATED WITH LIMITED DETENT PLUG
 1000 CYCLES MIN. WHEN MATED WITH A SMOOTH BORE PLUG
 B. TEMPERATURE RANGE: -65°C TO 165°C
4. PACKAGING:
 A. QUANTITY: SINGLE PACK
 B. MARKING: BAG TO BE MARKED
 "AMPHENOL, 915-1005, AND DATE CODE"
5. CABLE ENTRY DIMENSIONS
6. ASSEMBLY INSTRUCTIONS
 A. STRIP CABLE TO DIMENSIONS SHOWN
 B. SLIDE INSULATOR DISC OVER CABLE CENTER CONDUCTOR
 C. SOLDER CONTACT ONTO CENTER CONDUCTOR
 D. INSERT CONTACT TO CONNECTOR BODY, CONTACT SHOULD SNAP INTO INSULATOR
 E. SOLDER JACKET TO CONNECTOR BODY

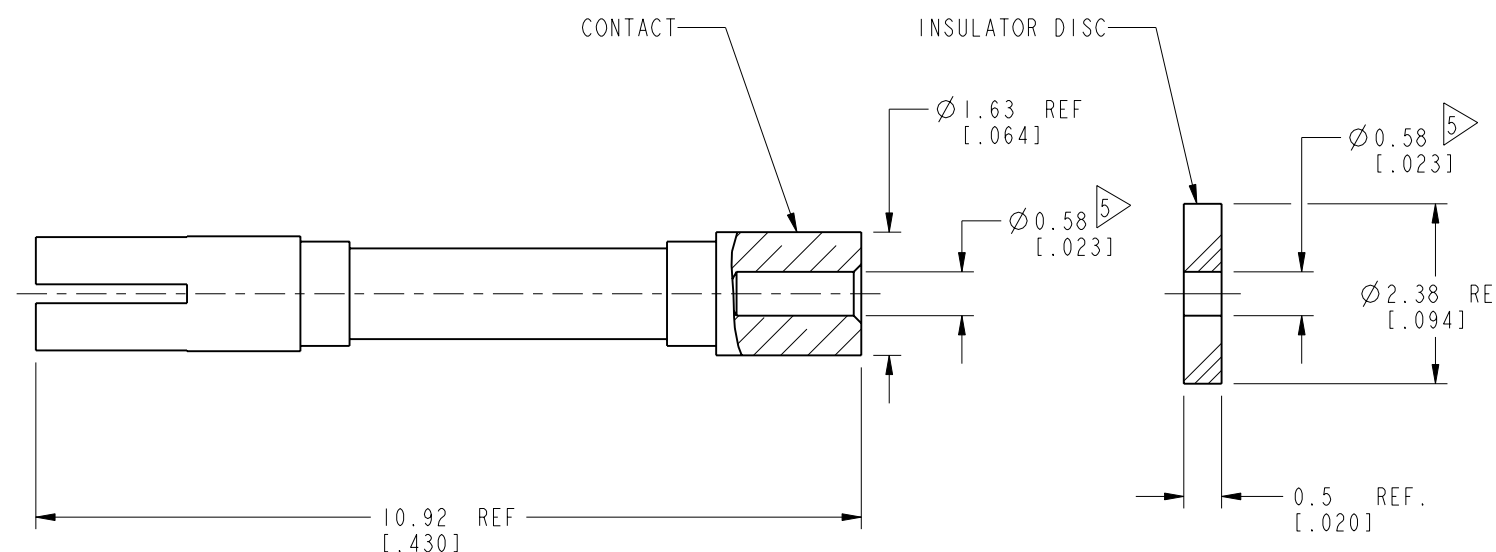
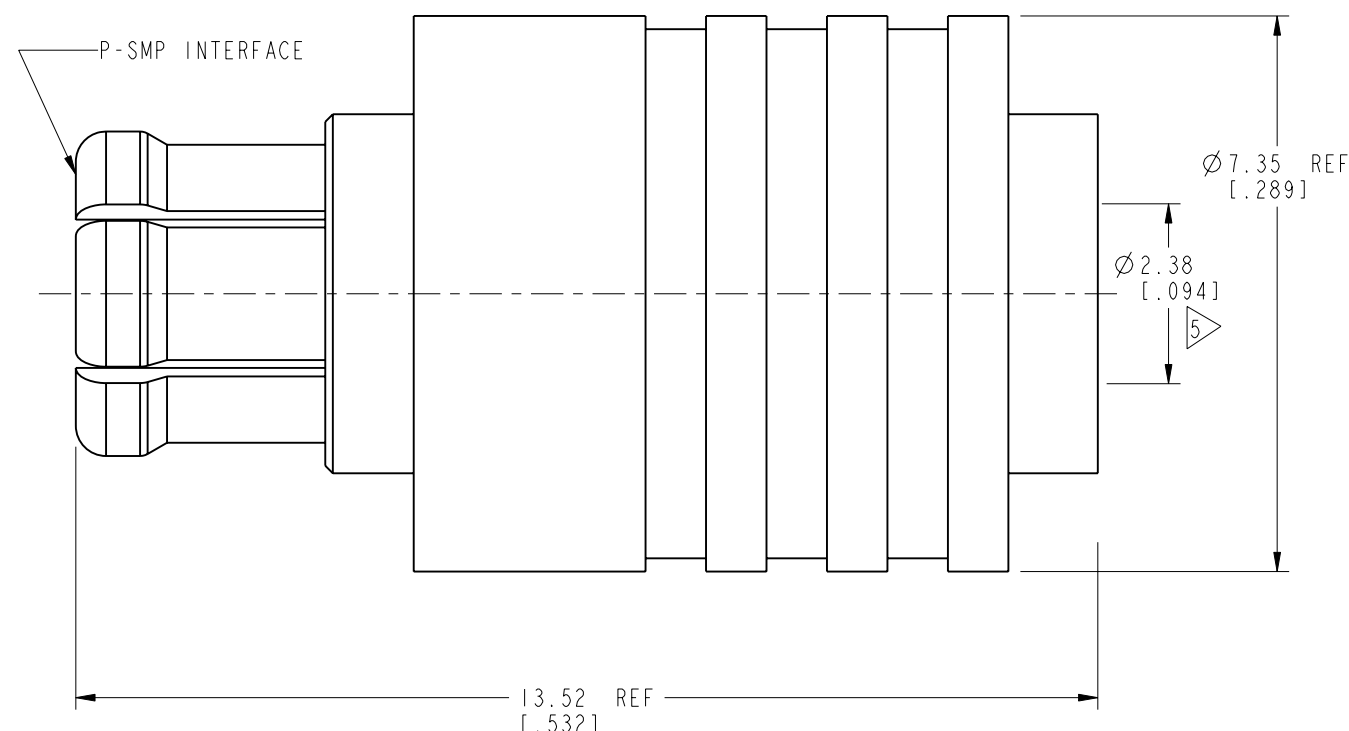
THIRD ANGLE PROJ.

REVISIONS

REV	DESCRIPTION	DATE	ECO	APPR
A	RELEASE TO MFG.	27-Jun-16	01141	MZ



SCALE 4.000



CUSTOMER OUTLINE DRAWING

ALL OTHER SHEETS ARE FOR INTERNAL USE ONLY

UNLESS OTHERWISE SPECIFIED, DIMENSIONS ARE IN METRIC AND TOLERANCES ARE: <0.5mm ±0.05mm 0.5 - 6mm ±0.1mm 6 - 30mm ±0.2mm 30 - 120mm ±0.3mm ANGLES ±1°	MATERIAL SEE NOTES	DRAWN M. ZHANG	DATE 27-Jun-16	TITLE P-SMP STR JACK (FOR HABIA FLEXIFORM 405 NM FJ CABLE)	Amphenol RF www.amphenolrf.com
	REFERENCE EAR# 7104	ENGINEER K. ELMES	DATE 22-Feb-13		
NOTICE - These drawings, specifications, or other data (1) are, and remain the property of Amphenol corp. (2) must be returned upon request; and (3) are confidential and not to be disclosed to any person other than those to whom they are given by Amphenol Corp. the furnishing of these drawings, specifications, or other data by Amphenol Corp., or to any other person to anyone for any purpose is not to be regarded by implication or otherwise in any manner licensing, granting rights to permitting such holder or any other person to manufacture, use or sell any product, process or design, patented or otherwise, that may in any way be related to or disclosed by said drawings, specifications, or other data.	CONFIGURATION LEVEL:	APPROVED S. HSIEH	DATE 27-Jun-16	SCALE: 10.0:1.0 SHEET 2 OF 2	ITEM NO. 915-1005
	FINISH	CAD FILE	DWG SIZE B	REV A	PART NO. 915-1005