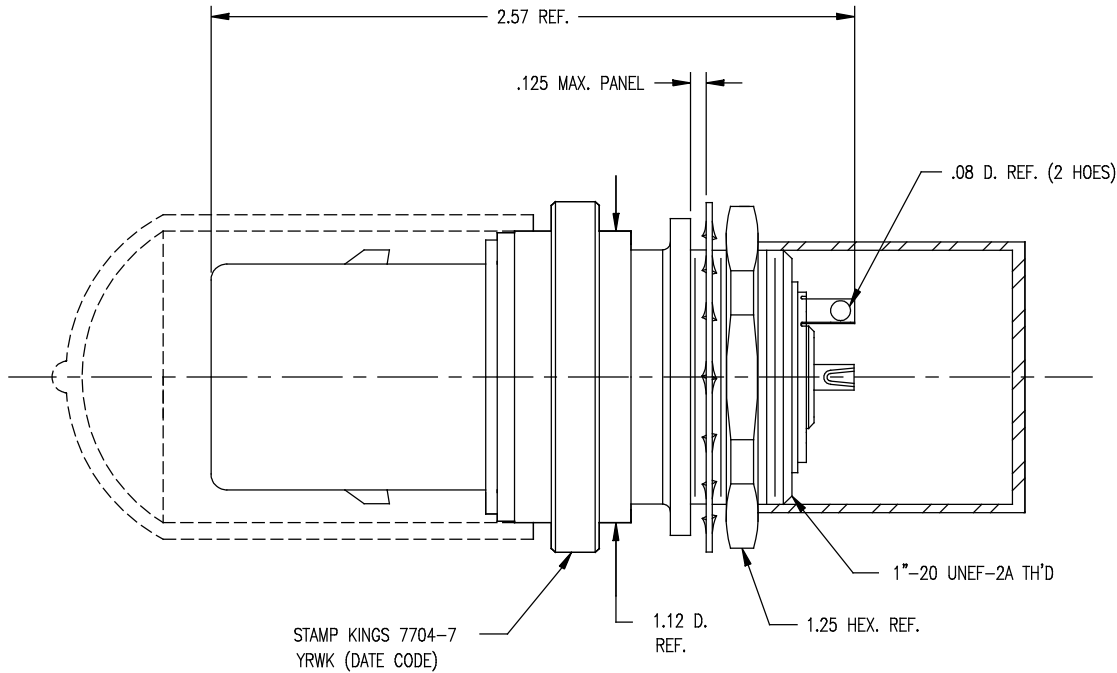


DASH NO.	M CODE	MADE FROM
----------	--------	-----------

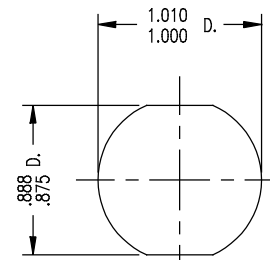
GSD

REVISIONS	
ISSUE	CHANGES
0	ER 36669 ME 11/01/95
1	CN 37209 A KH 06/10/97
2	CN 37786 D HVN 03/16/99
3	CN 38120 C BDH 11/07/00
4	CN 38137 C TML 01/05/01

7704-7



STAMP KINGS 7704-7
YRWK (DATE CODE)



MOUNTING HOLE

NOTES:

1. MATERIALS:

- CAPS: VINYL
- INSULATORS: TEFLON, ASTM-D-4894
- GASKETS: SILICONE RUBBER, ZZ-R-765
- CONDUCTIVE GASKET: CONSIL C 87-10004, 60-70 DUROMETER
- LOCKWASHER } SPRING STEEL, PER ASTM A682
- RETAINING RING } E-RING
- OUTER CONTACT: PHOSPHOR BRONZE, ASTM-B-103
- BODY: BR. COPPER, ASTM-B-196
- ALL OTHER METAL PARTS: BRASS, ASTM-B16

2. FINISHES:

- CENTER CONTACTS: GOLD PLATE PER MIL-G-45204
- ALL OTHER METAL PARTS: KINGS TARNISH RESISTANT NICKEL FINISH (TR-5)

3. ELECTRICAL CHARACTERISTICS:

- FREQUENCY RANGE: DC-500 MHZ
- NOMINAL IMPEDANCE: 75 ~W
- VOLTAGE BREAKDOWN: CENTER CONDUCTOR/INNER GROUND: 1500 VOLTS RMS
- INNER GROUND/OUTER GROUND: 500 VOLTS RMS

7704-7S

SCALE 2:1

APPROX SURFACE AREA

USED ON

REF: KP-8050-003-000

RCPT, BKHD, TRI-LOC,
SERIAL DIGITAL

DRAWN ME DATE 11/01/95

DESIGN FD DATE 11/01/95

APPR. DATE

KINGS
ELECTRONICS CO., INC.
ROCK HILL, SOUTH CAROLINA 29730

GSD

7704-7