

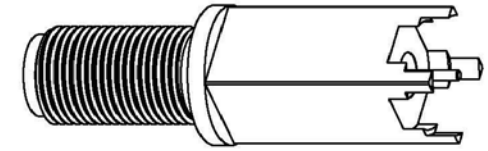
NOTES:

1. MATERIAL AND FINISH (PLATING THICKNESS IN MICRO-INCHES):
 FRONT & REAR BODY - BRASS, MATTE TIN PLATING WISKER FREE
 PER 349-50716 .000100 MIN THICK OVER NICKEL
 FRONT CONTACT - BeCu, PURE MATTE TIN PLATING .000100 MIN OVER NICKEL
 REAR CONTACT - BRASS, PURE MATTE TIN PLATING .000100 MIN OVER NICKEL
 INSULATORS - PTFE
2. ELECTRICAL:
 IMPEDANCE: 75 OHM
 RETURN LOSS : 25dB MIN. AT DC- 1 GHz
 18dB MIN AT 1- 3GHz
3. MECHANICAL:
 DURABILITY: 500 CYCLES MIN.
 TEMPERATURE: -40°C TO 85°C
4. PACKAGING:
 A. QUANTITY: SINGLE PACK
 B. MARKING: BAG TO BE MARKED
 "AMPHENOL, 531-40193-HF, AND DATE CODE"

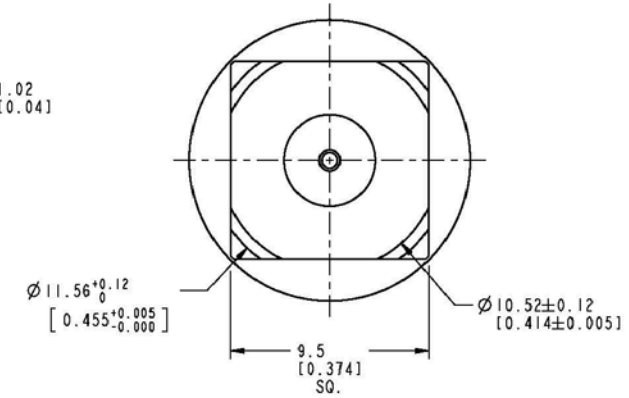
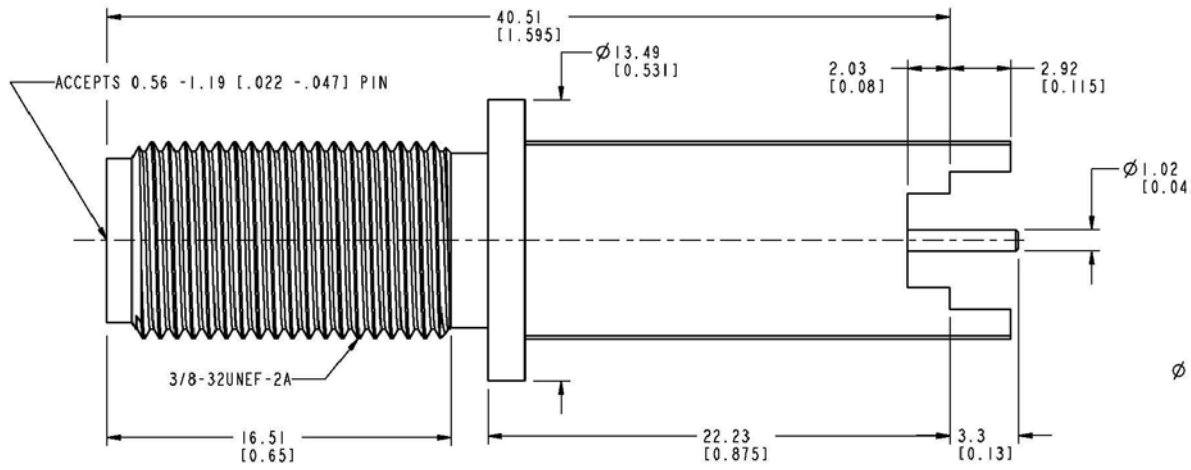
THIRD ANGLE PROJ.

REVISIONS

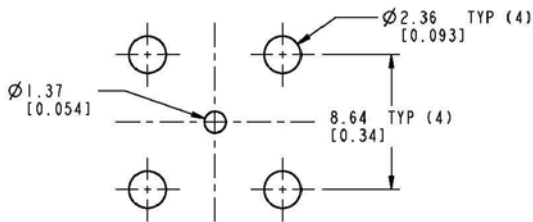
REV	DESCRIPTION	DATE	ECO	APPR
A	RELEASE TO MFG.	09-Sep-09	47254	AW
B	531-41246 AND 531-41248 WERE CHANGED\RD-DM10042201T1	23-Apr-10	48073	SH



SCALE 2.000



RECOMMENDED PCB MOUNTING HOLES



CUSTOMER OUTLINE DRAWING

ALL OTHER SHEETS ARE FOR INTERNAL USE ONLY

UNLESS OTHERWISE SPECIFIED, DIMENSIONS ARE IN METRIC AND TOLERANCES ARE: <0.5mm ±0.05mm 0.5 - 6mm ±0.1mm 6 - 30mm ±0.2mm 30 - 120mm ±0.3mm ANGLES ±1°	MATERIAL	DRAWN T. DENG	DATE 23-Apr-10	TITLE TYPE F STRAIGHT TO PCB	Amphenol RF Danbury CT USA, Tainan, Taiwan, Shenzhen, China www.amphenolrf.com
	REFERENCE EAR # 1534.3 AND 611X-4189-100	ENGINEER H. PARIKH	DATE 18-Apr-06		
	CONFIGURATION LEVEL: Prototype	APPROVED S. HSIEH	DATE 23-Apr-10	ITEM NO. 531-40193-HF	
	FINISH	1:VF AND G1531-40193-HF	CAD FILE	SCALE: 4.0:1.0 SHEET 2 OF 2	PART NO. 531-40193-HF
				DWG SIZE B	REV B