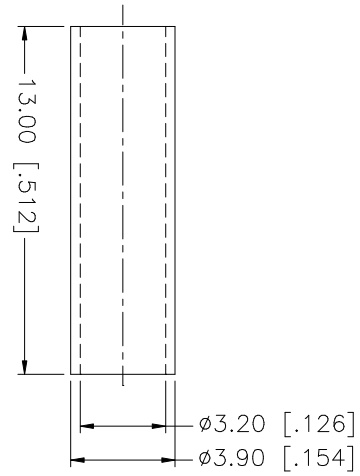
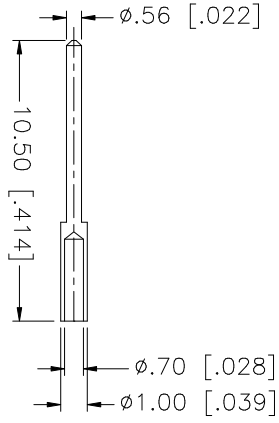
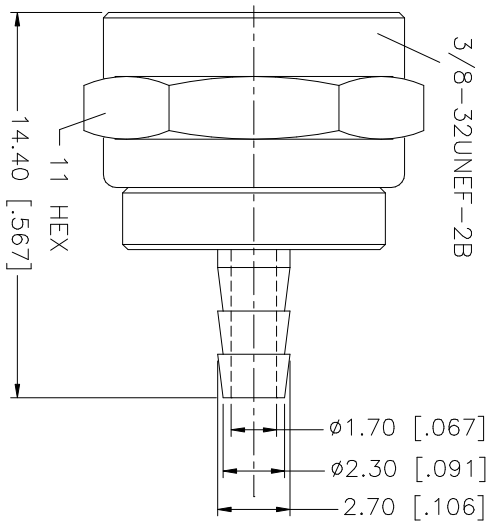
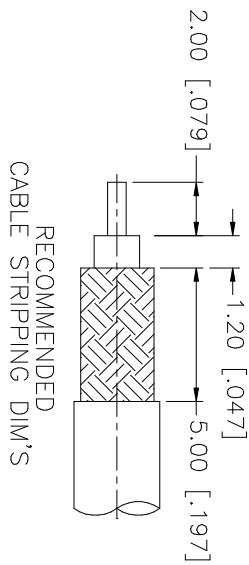


REV.	DATE	DESCRIPTION
A	11/19/02	UPDATE FERRULE DIMENSIONS



NOTES:

1. CRIMPED FERRULE  
HEX CRIMP SIZE ".128"

8				UNLESS OTHERWISE SPECIFIED DIMENSIONS ARE IN MILLIMETERS	APPROVALS	DATE	TITLE			
7				DIMENSIONS IN [ ] ARE IN INCHES FOR CUSTOMER REFERENCE ONLY	DRAWN	11/19/02	<b>Amphenol - Connex</b> CONNECTOR CORPORATION F CRIMP PLUG (FOR RG-316/U, 174/U, 188A/U, CABLE)			
6					CHECKED					
5					ISSUED					
4	FERRULE	COPPER	TIN LEAD	UNLESS OTHERWISE SPECIFIED TOLERANCES FOR INCHES ARE: .XXX = ± 0.005" .XX = ± 0.010" .X = ± 0.020"			SIZE	FSCM NO.	DWG. NO.	REV.
3	CONTACT PIN	BRASS	BRT. TIN				A	99001	222184.DWG	A
2	INSULATOR	TEFLON	NATURAL				SCALE	PART NO.	SHEET	OF
1	BODY/SHELL	BRASS	TIN LEAD				N/A	222184	1	1
	DESCRIPTION	MATERIAL	FINISH	DO NOT SCALE DRAWING						