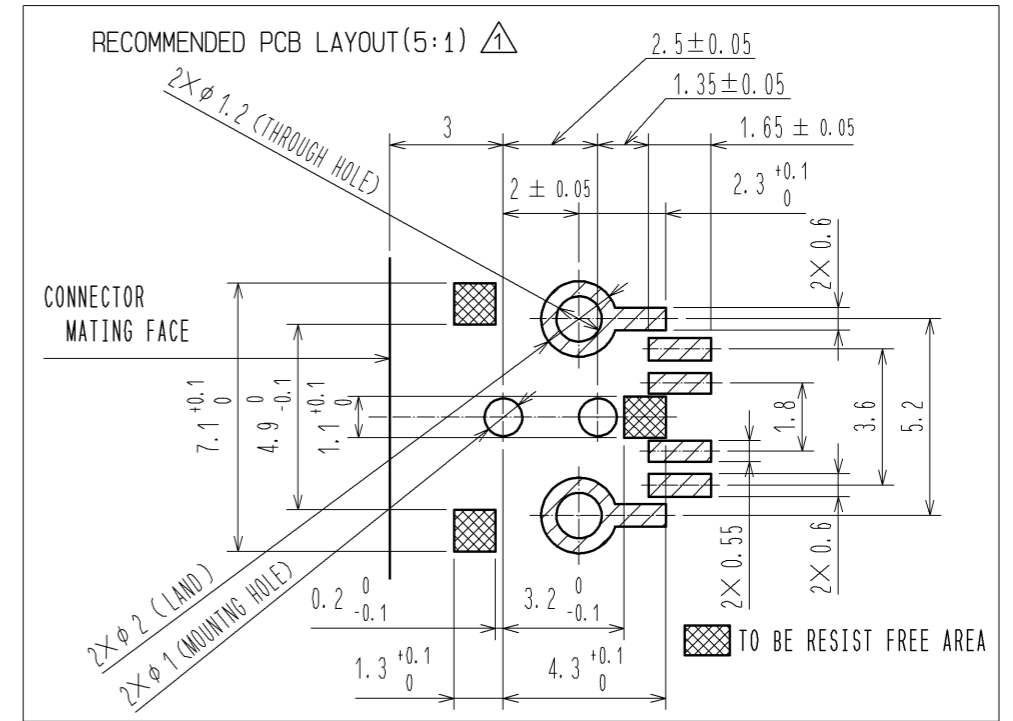
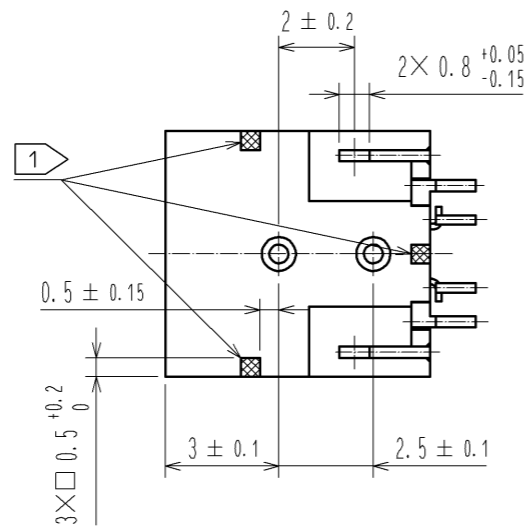
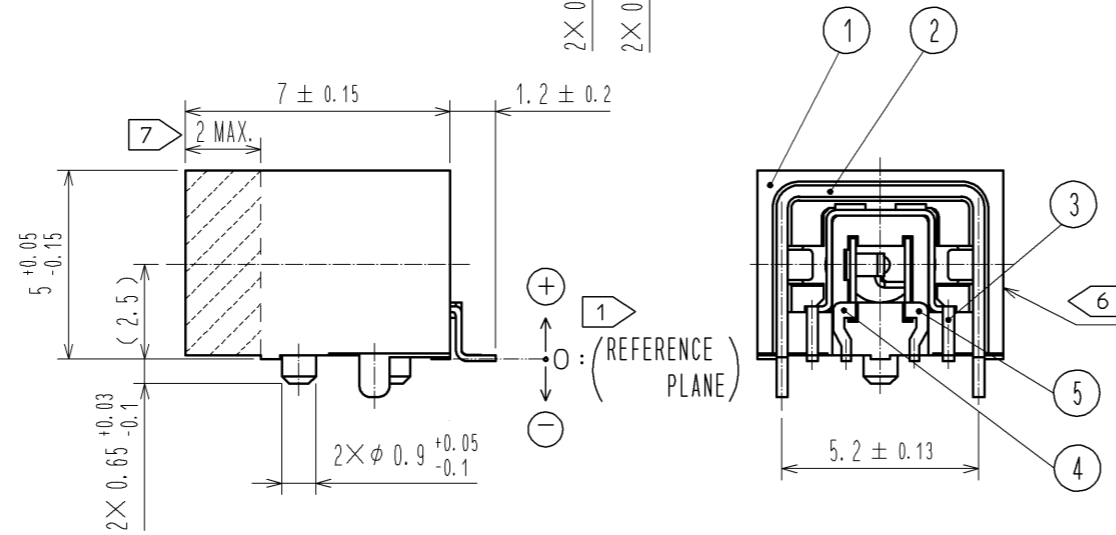
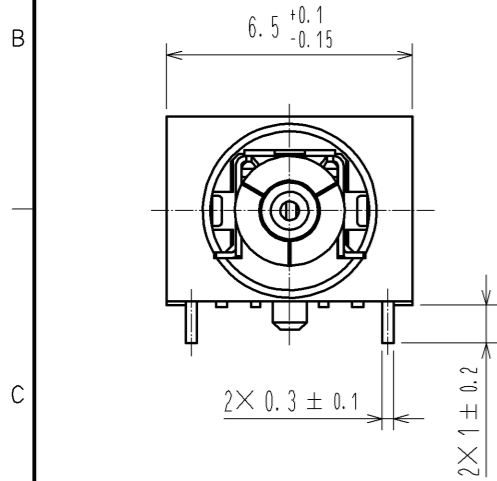
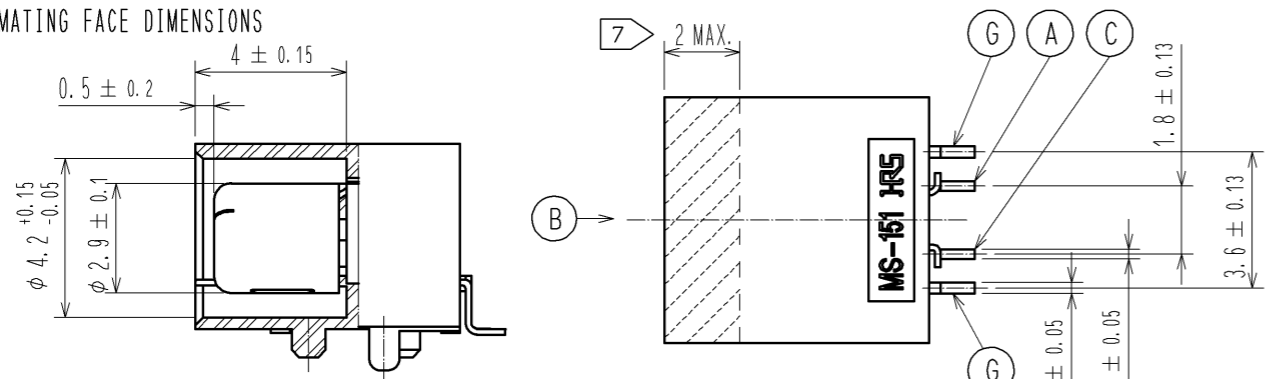


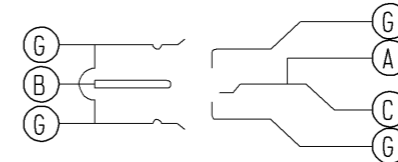
APPLICABLE STANDARD					
RATING	FREQUENCY RANGE	0.045 TO 3 GHz	STORAGE TEMPERATURE RANGE	-40°C TO +85°C	
	POWER	4 W	CHARACTERISTIC IMPEDANCE	50 Ω	
	OPERATING TEMPERATURE RANGE	-40°C TO +85°C	OPERATING HUMIDITY RANGE	% TO 90% (Non condensing)	
SPECIFICATIONS					
ITEM	TEST METHOD		REQUIREMENTS	QT	AT
CONSTRUCTION					
GENERAL EXAMINATION	VISUALLY AND BY MEASURING INSTRUMENT.		ACCORDING TO DRAWING.	X	X
MARKING	CONFIRMED VISUALLY.				
ELECTRIC CHARACTERISTICS					
CONTACT RESISTANCE	100 mA MAX (DC OR 1000 Hz).		50 mΩ MAX.	X	X
INSULATION RESISTANCE	100 V DC.		1000 MΩ MIN.	X	-
VOLTAGE PROOF	100 V AC FOR 1 min.		NO FLASHOVER OR BREAKDOWN.	X	X
V.S.W.R.	①	FREQUENCY 0.045 TO 1.0 GHz	N·C, N·O : 1.2 MAX	X	-
		FREQUENCY 1.0 TO 2.0 GHz	N·C, N·O : 1.4 MAX		
		FREQUENCY 2.0 TO 3.0 GHz	N·C, N·O : 1.7 MAX		
INSERTION LOSS	①	FREQUENCY 0.045 TO 1.0 GHz	N·C : 0.2dB MAX. N·O : 0.3dB MAX.	X	-
		FREQUENCY 1.0 TO 2.0 GHz	N·C : 0.4dB MAX. N·O : 0.5dB MAX.		
		FREQUENCY 2.0 TO 3.0 GHz	N·C : 0.6dB MAX. N·O : 1.0dB MAX.		
ISOLATION		FREQUENCY 0.045 TO 1.0 GHz	20 dB MIN.	X	-
		FREQUENCY 1.0 TO 2.0 GHz	18 dB MIN.		
		FREQUENCY 2.0 TO 3.0 GHz	12 dB MIN.		
MECHANICAL CHARACTERISTICS					
MECHANICAL OPERATION	5000 TIMES INSERTIONS AND EXTRACTIONS.		1) CONTACT RESISTANCE : 100mΩMAX. 2) NO DAMAGE, CRACK AND LOOSENESS OF PARTS.	X	-
VIBRATION	FREQUENCY 10 TO 500 Hz SINGLE AMPLITUDE 0.75 mm, 98 m/s ² 1 CYCLE : 11min, 10 CYCLES FOR EACH 3 DIRECTIONS.		1) NO ELECTRICAL DISCONTINUITY OF 10μs. 2) CONTACT RESISTANCE : 100mΩMAX. 3) NO DAMAGE, CRACK AND LOOSENESS OF PARTS.	X	-
SHOCK	ACCELERATION : 490 m/s ² DURATION : 11 ms , HALF SINE WAVE 3 BOTH AXIAL DIRECTIONS, 3 TIMES EACH			X	-
INSERTION AND WITHDRAWAL FORCES	MEASURED BY APPLICABLE CONNECTOR. (INITIAL VALUE)		INSERTION FORCE : 1~10N WITHDRAWAL FORCE : 3~15N	X	-
ENVIRONMENTAL CHARACTERISTICS					
RAPID CHANGE OF TEMPERATURE	TEMPERATURE -55 → 5-35 → +85 → 5-35 °C TIME 30 → 2-3 → 30 → 2-3 min. UNDER 100 CYCLES AND LEAVE IT FOR ONE HOUR OR TWO.		1) CONTACT RESISTANCE: 100 mΩ MAX. 2) INSULATION RESISTANCE: 10 MΩ MIN. 3) NO DAMAGE, CRACK AND LOOSENESS OF PARTS.	X	-
SALT MIST	EXPOSED IN 5±1% TEMPERATURE 35±2°C SALT WATER SPRAY FOR 48h		1) CONTACT RESISTANCE : 100mΩMAX. 2) NO HEAVY CORROSION.	X	-
DAMP HEAT (STEADY STATE)	EXPOSED AT +40°C, 90~95%,96h. THEN LEAVE IT FOR ONE HOUR OR TWO IN THE AMBIENT TEMPERATURE AND HUMIDITY.		1) CONTACT RESISTANCE: 100 mΩ MAX. 2) INSULATION RESISTANCE: 10 MΩ MIN. 3) NO DAMAGE, CRACK AND LOOSENESS OF PARTS.	X	-
	COUNT	DESCRIPTION OF REVISIONS	DESIGNED	CHECKED	DATE
①					
REMARK	RoHS COMPLIANT		APPROVED	MH. YAMANE	14.01.27
①	N·O SPEC INCLUDE MS-151-C(LP) AND CABLE .		CHECKED	NK. NINOMIYA	14.01.27
			DESIGNED	TS. NAKAGAWA	14.01.23
			DRAWN	TS. NAKAGAWA	14.01.23
Note	QT:Qualification Test AT:Assurance Test X:Applicable Test		DRAWING NO.		ELC4-353753-00
HRS	SPECIFICATION SHEET		PART NO.	MS-151NB-1	
	HIROSE ELECTRIC CO., LTD.		CODE NO.	CL358-0345-4-00	① 1/1

MATING FACE DIMENSIONS

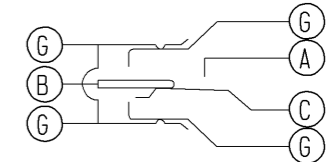


- NOTE 1 IS REFERENCE PLANE FOR PCB MOUNTING.
 SMT READ COPLANARITY SHALL BE $-0.05^{+0.03}_{-0.07}$ FOR REFERENCE PLANE.
 2. USE THIS PRODUCT WITH MS-151-C(LP) AND EQUIVALENT CONTACT MATED.
 3. COAXIAL SWITCH CIRCUIT SHALL BE AS FOLLOWS.

STATE OF CONTACT NONMATED
(N.C: NORMAL CLOSE)



STATE OF CONTACT MATED
(N.O: NORMAL OPEN)

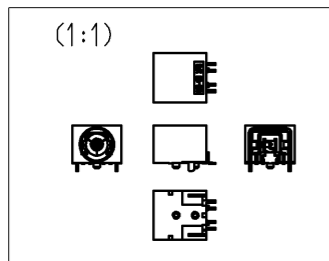
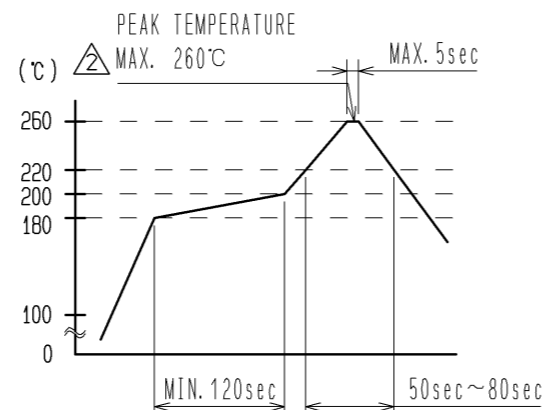


4. THIS PRODUCT IS IMPOSSIBLE TO WASH.
 5. USE 0.15mm THICK METAL MASK.

6 LOT NO. IS MARKED ON THE SPECIFIED SURFACE.

7 FIX THE CONNECTOR WITH DEVICE CHASSIS AT THE AREA WITHIN 2mm FROM THE OPENING .

SPECIFIED REFLOW TEMPERATURE PROFILE FOR LEAD-FREE SOLDER

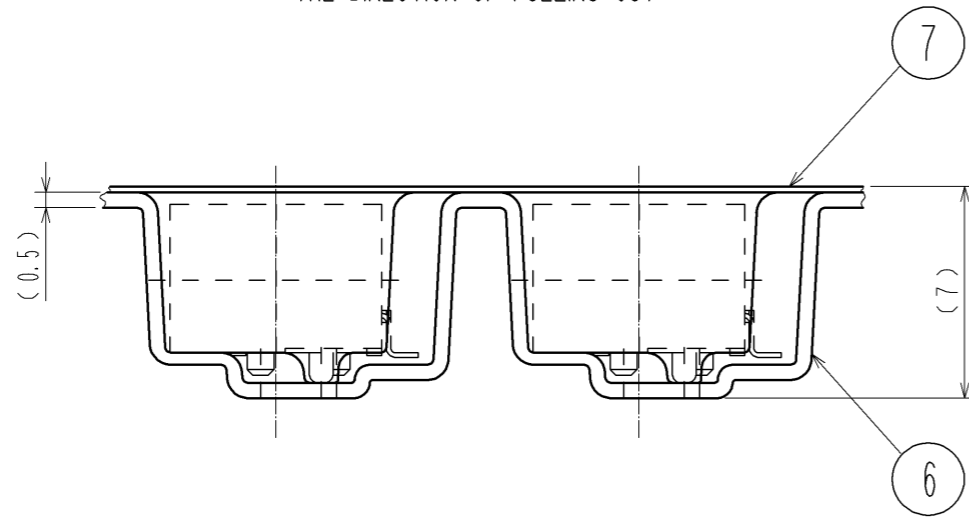
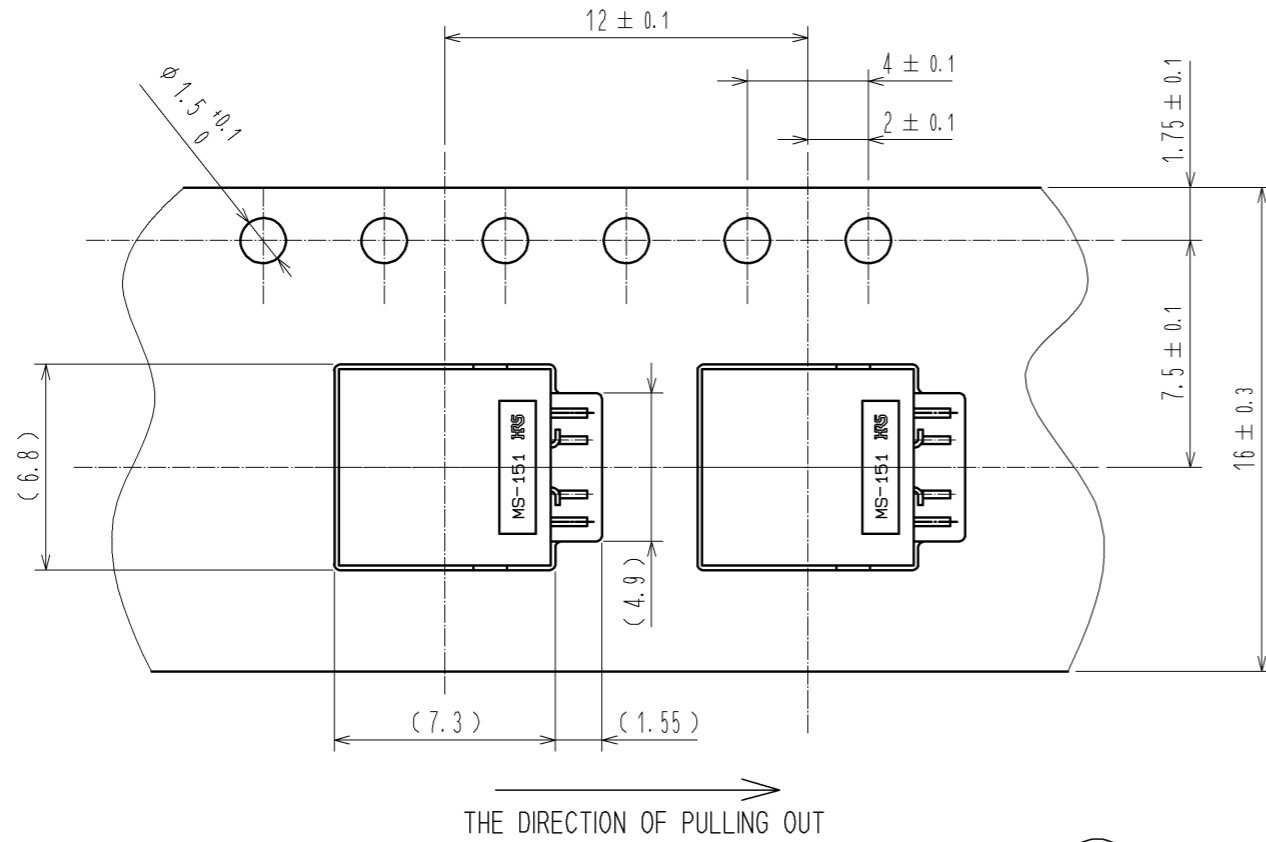


RoHS COMPLIANT

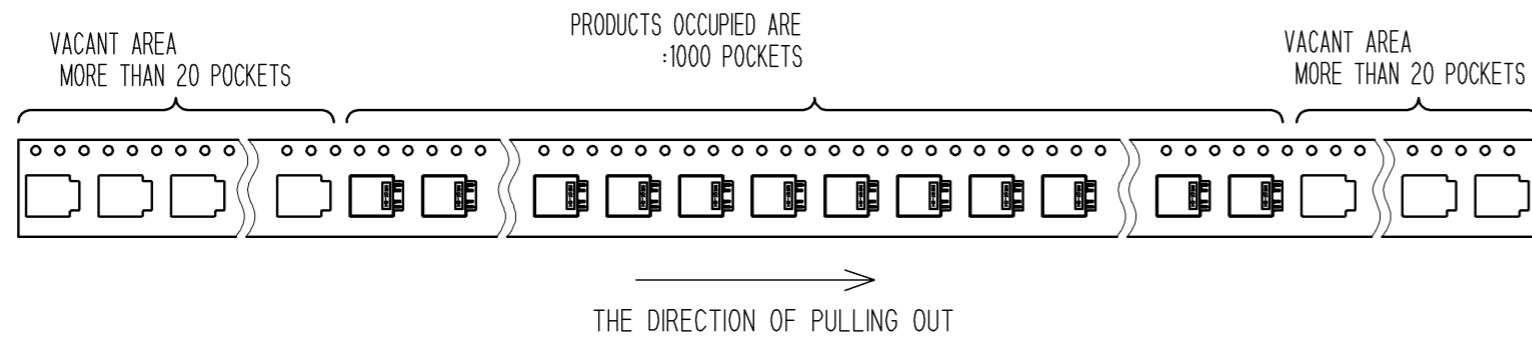
HALOGEN FREE COMPLIANT

3	PHOSPHOR BRONZE	SELECTIVE GOLD PLATING	7	PET	
2	STAINLESS STEEL	SELECTIVE GOLD PLATING	6	PS	
1	PA-M		5	PHOSPHOR BRONZE	SELECTIVE GOLD PLATING
			4	BERYLLIUM COPPER	SELECTIVE GOLD PLATING
部番	材質	処理, 備考	部番	材質	処理, 備考
UNITS mm		SCALE 5 : 1	訂正記事 DIS-D-003425	設計 RO. FURUYAMA	検図 NK. NINOMIYA
HRS HIROSE ELECTRIC CO., LTD.	承認 : MH. YAMANE	14. 01. 27	図番 :	EDC3-353753-00	
	検図 : NK. NINOMIYA	14. 01. 27	製品名 :	MS-151NB-1	
	設計 : TS. NAKAGAWA	14. 01. 23	製品コード :	CL358-0345-4-00	
	製図 : TS. NAKAGAWA	14. 01. 23			
			年月日 14. 09. 30		

TAPE AND REEL PACKING(4:1)

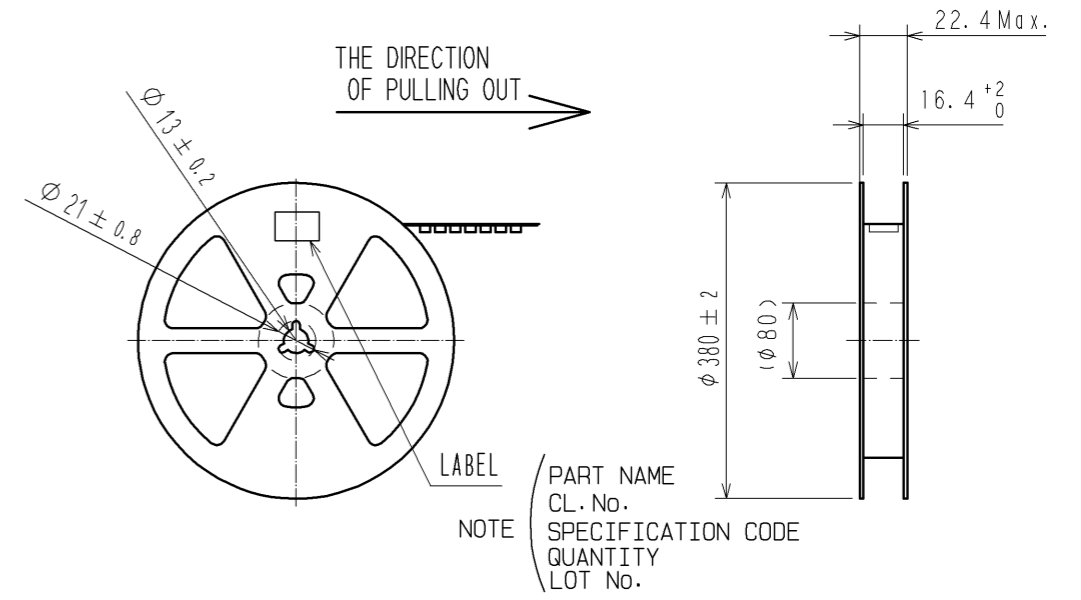


PACKAGING SPECIFICATION(FREE)

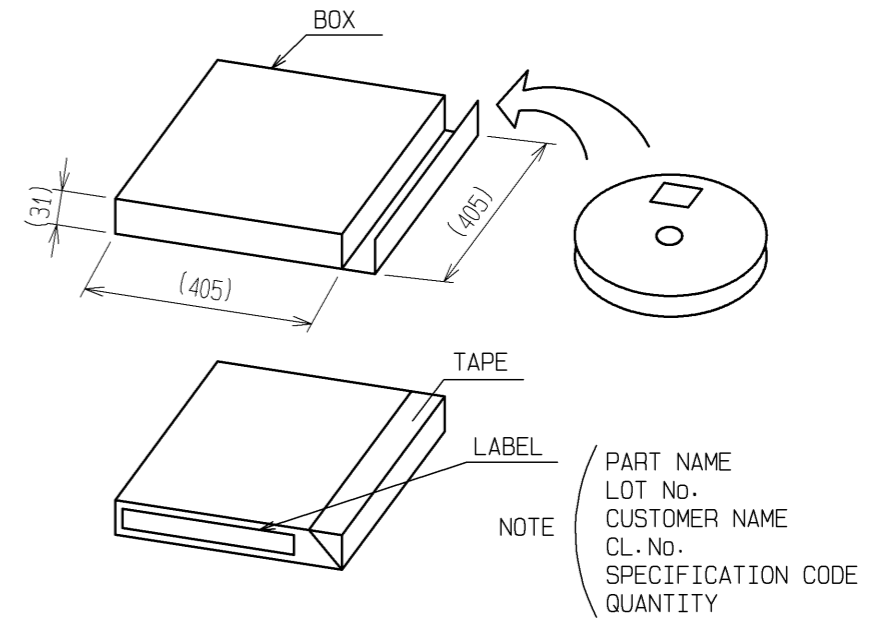


REEL DIMENSIONS (FREE)

1000 PCS PER REEL



OUTER PACKAGING CASE (FREE)



図番: EDC3-353753-00
 製品名: MS-151NB-1
 製品コード: CL358-0345-4-00